



US00D941002S

(12) **United States Design Patent** (10) **Patent No.:** **US D941,002 S**
Sogorb (45) **Date of Patent:** **** Jan. 18, 2022**

(54) **SHOE SOLE**
(71) Applicant: **PUMA SE**, Herzogenaurach (DE)
(72) Inventor: **Boris Sogorb**, Nuremberg (DE)
(73) Assignee: **PUMA SE**, Herzogenaurach (DE)
(**) Term: **15 Years**
(21) Appl. No.: **29/694,454**
(22) Filed: **Jun. 11, 2019**

D416,669 S * 11/1999 Parr D2/951
D422,401 S 4/2000 Moll
6,408,544 B1 6/2002 Hernandez
(Continued)

FOREIGN PATENT DOCUMENTS

CN 304213041 * 7/2017
CN 304318906 * 10/2017
CN 304334958 * 10/2017

OTHER PUBLICATIONS

Here Are All The Fenty Puma by Rihanna posted by Lily Chen posted date Sep. 25, 2017, © Hype Bae, [online], [site visited Mar. 17, 2021]. Available from Internet, <https://hypebae.com/2017/9/rihanna-fenty-puma-fall-winter-2017-collection> (Year: 2017).*

(Continued)

Related U.S. Application Data

(62) Division of application No. 29/627,332, filed on Nov. 27, 2017, now Pat. No. Des. 887,682.

Foreign Application Priority Data

Sep. 29, 2017 (EM) 004377901

(51) **LOC (13) Cl.** **02-04**

(52) **U.S. Cl.**
USPC **D2/947**; D2/951; D2/960

(58) **Field of Classification Search**
USPC D2/896, 902, 906, 908, 946-947, 960, D2/961, 968
CPC A43B 13/00; A43B 13/02; A43B 13/023; A43B 13/026; A43B 13/04; A43B 13/08; A43B 13/10; A43B 1/14; A43B 7/00
See application file for complete search history.

Primary Examiner — Cynthia Ramirez
Assistant Examiner — Laura H Yu
(74) *Attorney, Agent, or Firm* — Leydig, Voit & Mayer, Ltd.

(57) **CLAIM**

The ornamental design for a shoe sole, as shown and described.

DESCRIPTION

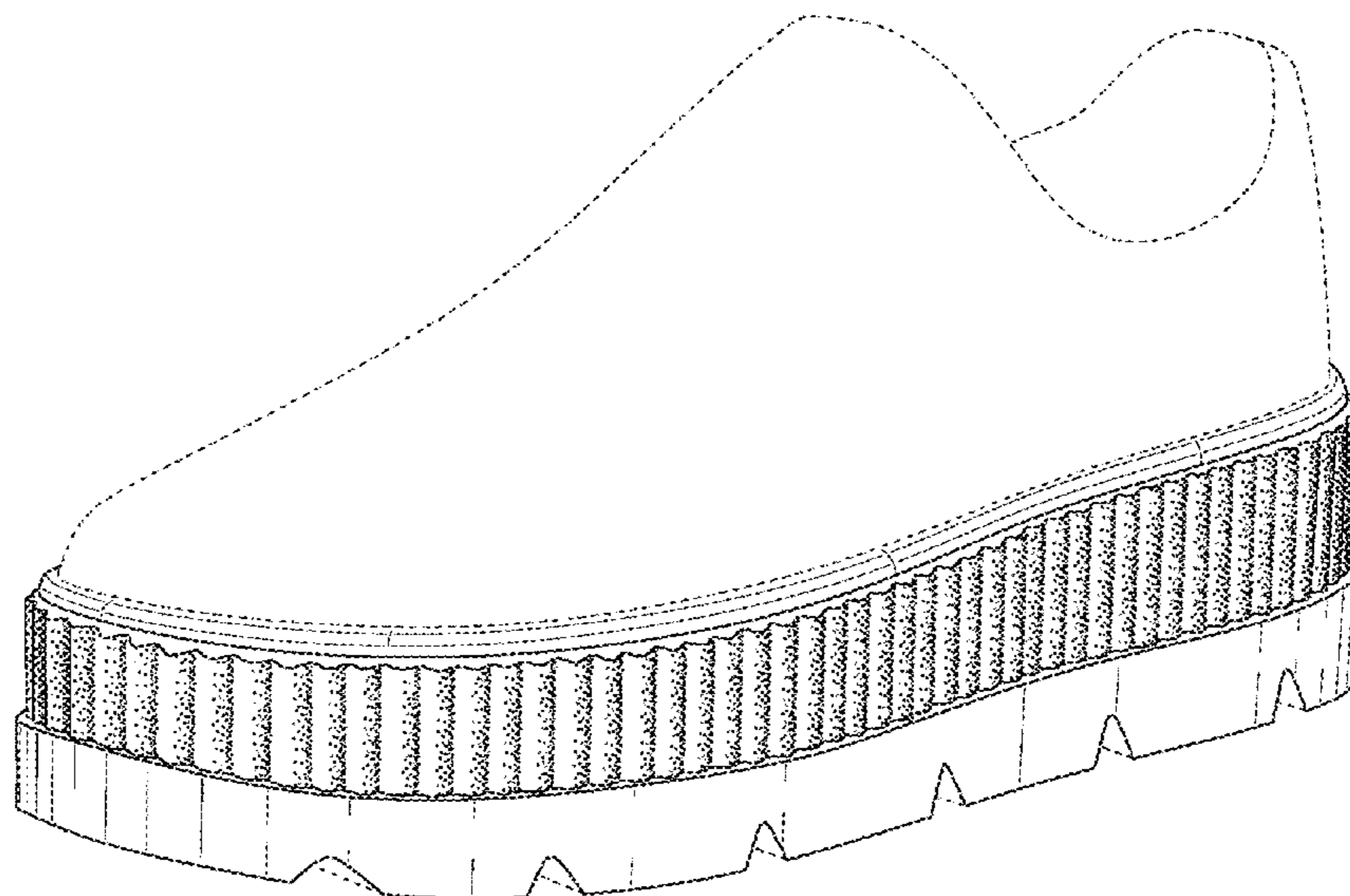
FIG. 1 is a top left front perspective view of the shoe sole showing a first embodiment of my new design; FIG. 2 is a top left rear perspective view thereof; FIG. 3 is a left side view thereof; FIG. 4 is a right side view thereof; FIG. 5 is a rear view thereof; FIG. 6 is a front view thereof; FIG. 7 is a top view thereof; and, FIG. 8 is a bottom view thereof. The broken lines in the figures illustrate portions of the shoe sole that form no part of the claimed design.

(56) **References Cited**

U.S. PATENT DOCUMENTS

2,405,498 A 8/1946 Gregg
D154,501 S 7/1949 Marx
D238,983 S 3/1976 Seeter
4,137,653 A 2/1979 Famolare, Jr. et al.
D297,185 S * 8/1988 Berzak D2/957
4,766,681 A 8/1988 O'Rourke et al.
D414,318 S * 9/1999 Merceron D2/952

1 Claim, 7 Drawing Sheets



(56)

References Cited

U.S. PATENT DOCUMENTS

6,536,137 B1 3/2003 Celia
D473,041 S * 4/2003 Finkelberg D2/957
D623,385 S 9/2010 Stansberry et al.
8,146,272 B2 4/2012 Dukovic et al.
D659,953 S 5/2012 Van Zyll De Jong et al.
D660,566 S 5/2012 Van Zyll De Jong et al.
D683,937 S 6/2013 Raysse
D689,674 S 9/2013 Kampff
D725,359 S 3/2015 Miner
D729,503 S 5/2015 Carroll et al.
D738,084 S 9/2015 Feeney
D760,483 S 7/2016 Siegel
D768,367 S 10/2016 Henderson et al.
D774,288 S 12/2016 Pina
D792,683 S 7/2017 Carroll et al.
D798,560 S * 10/2017 Galway D2/953
D801,010 S 10/2017 Armellin
D827,258 S 9/2018 Pina

D841,965 S * 3/2019 Goldman D2/960
D861,309 S * 10/2019 Wang D2/957
D887,682 S * 6/2020 Sogorb D2/902

OTHER PUBLICATIONS

52 of Our Favorite Shoes posted by Whitney Bauck posted date Mar. 16, 2017, © Fashionista, [online], [site visited Mar. 17, 2021]. Available from Internet, <https://fashionista.com/2017/03/best-fall-shoes-runway-2017> (Year: 2017).*

Fenty Puma by Rihanna posted by Puma posted date Mar. 29, 2017 © YouTube, [online], [site visited Aug. 1, 2019]. Available from Internet, <https://www.youtube.com/watch?v=WEyKeShWL7I> (Year: 2017).

Gothic Platform Shoes by Rock NDoll posted by Rock N Doll posted date unknown © Rock N Doll, [online], [site visited Aug. 1, 2019]. Available from Internet, <https://rockndollstore.com/products/gothic-double-ankle-strap-platform-shoes> (Year: 2019).

U.S. Appl. No. 29/627,332, 627,332.

* cited by examiner

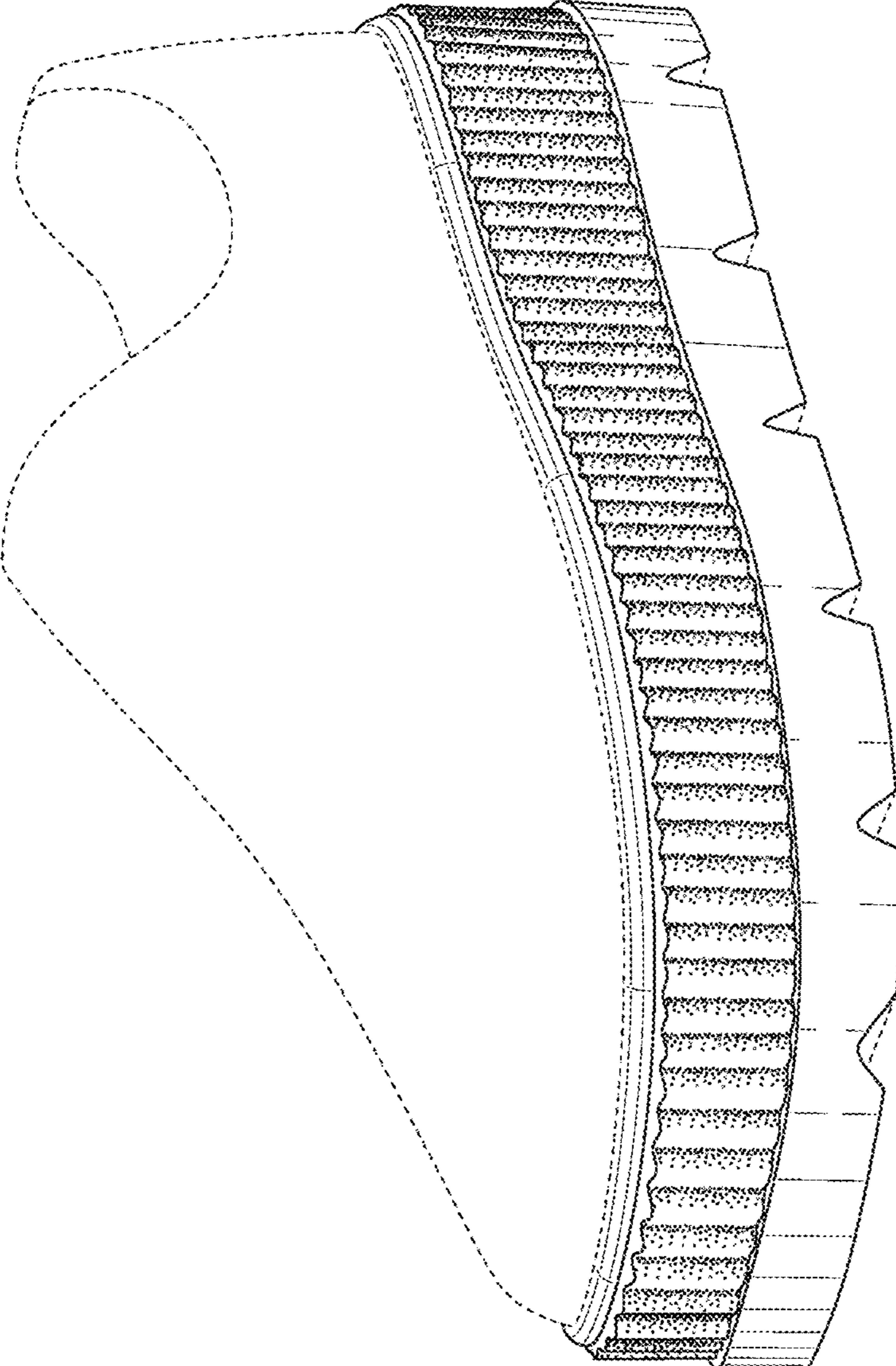


FIG. 1

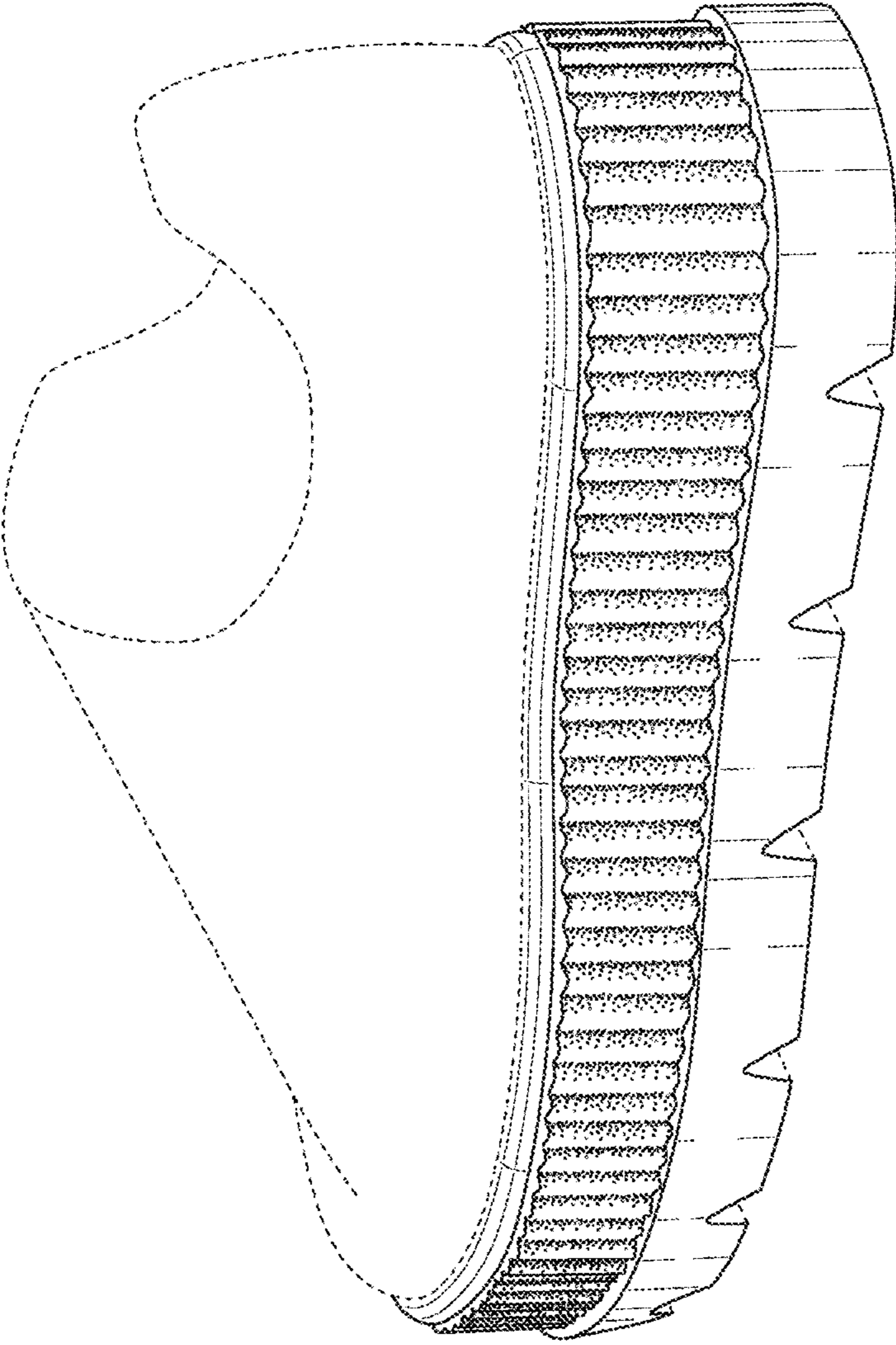


FIG. 2

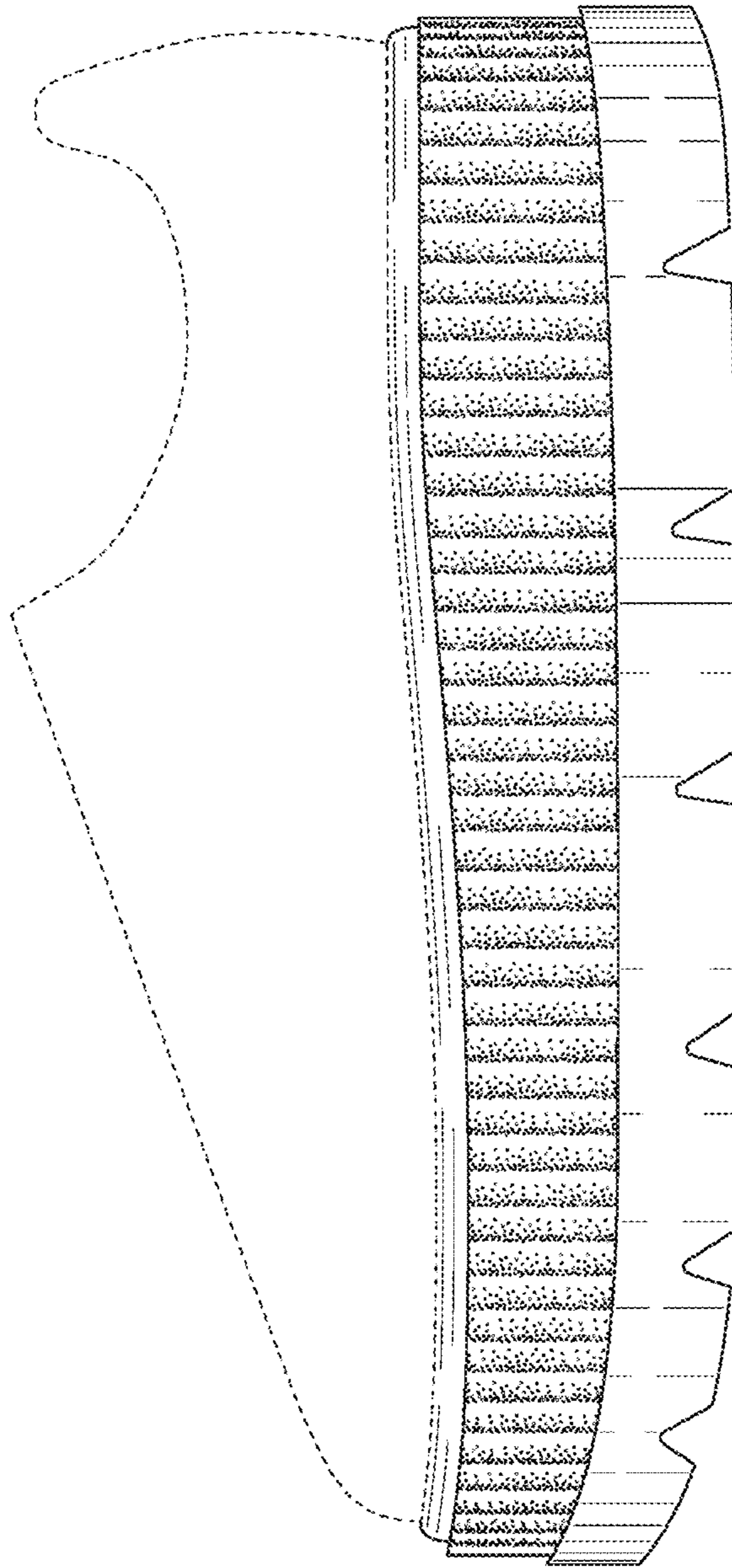


FIG. 3

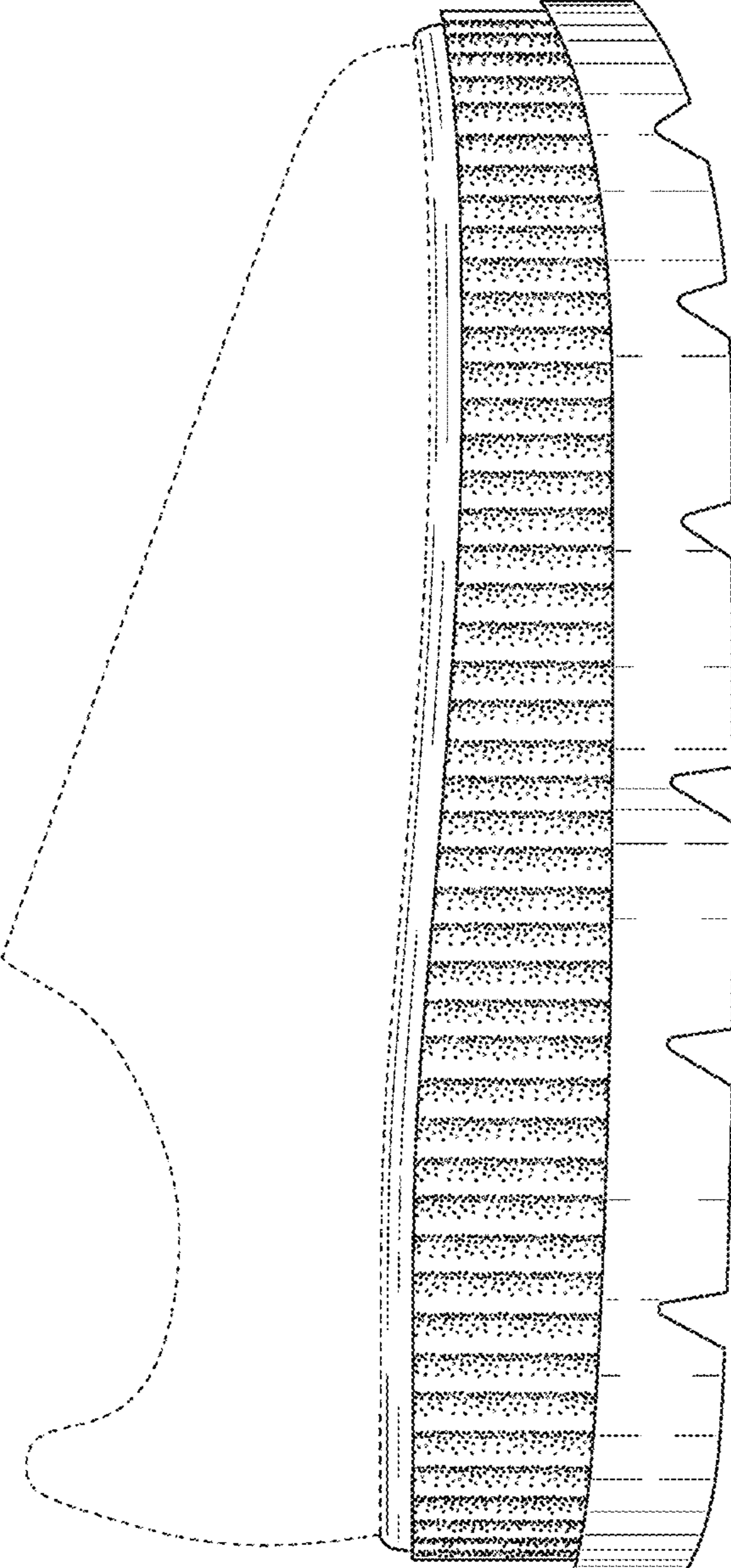


FIG. 4

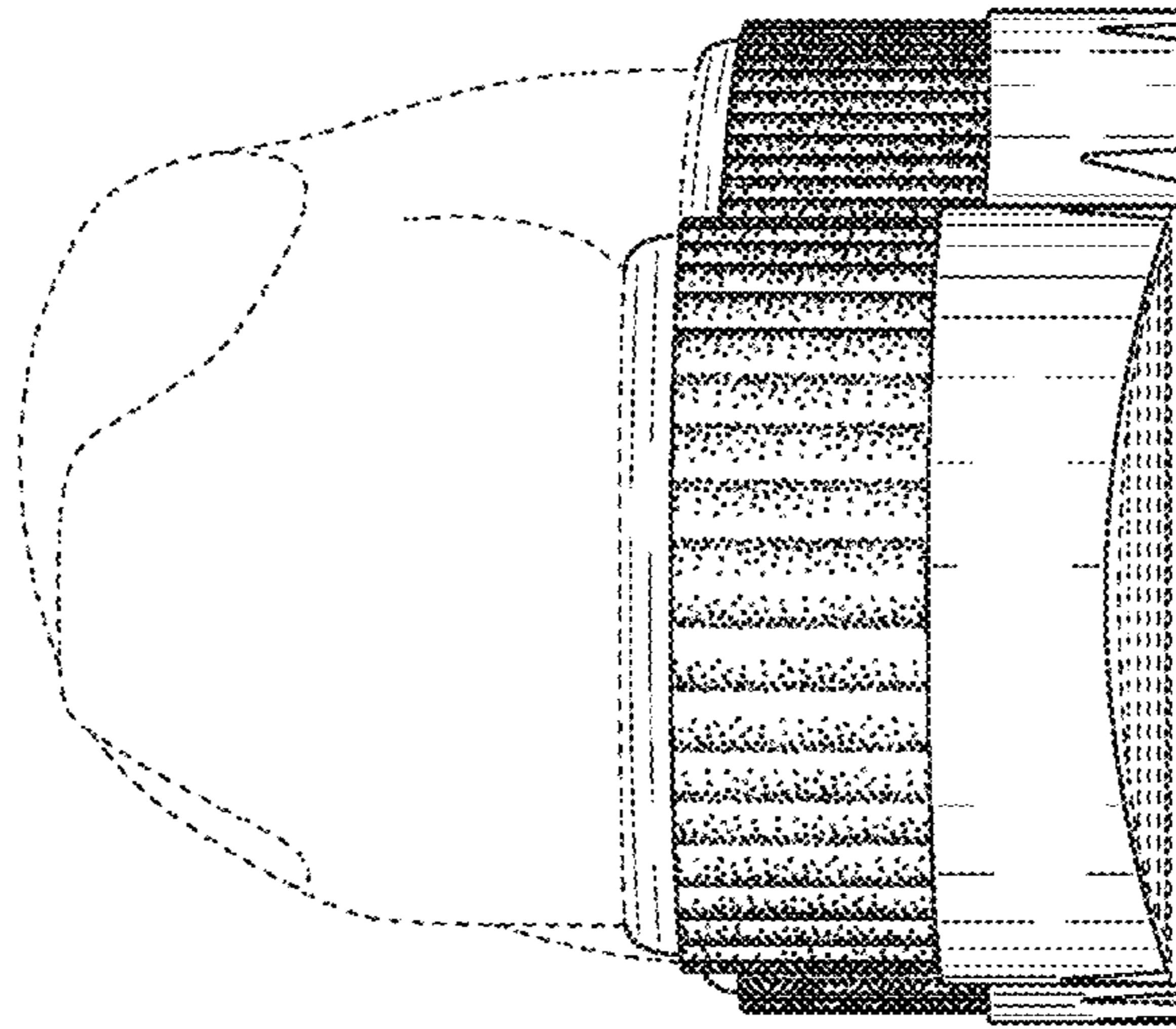


FIG. 5

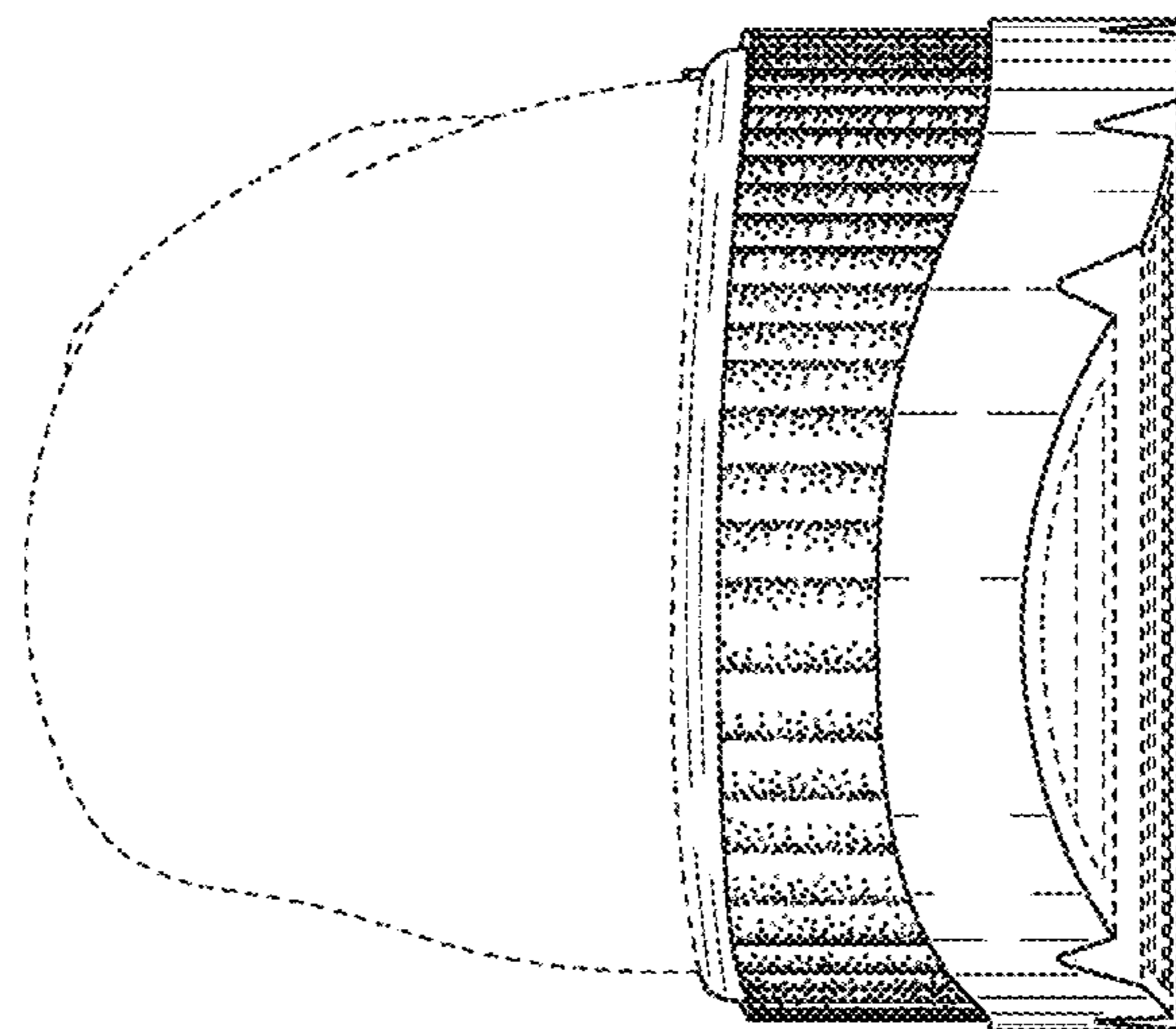


FIG. 6

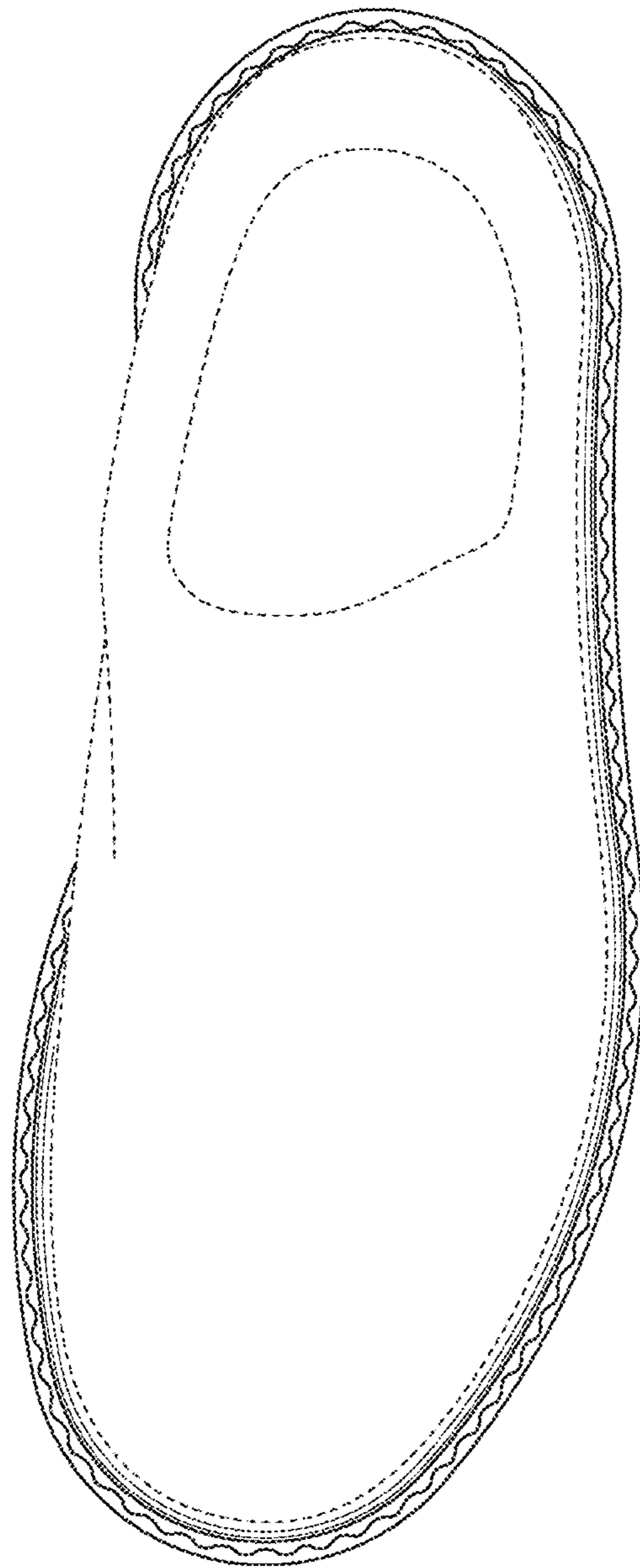


FIG. 7

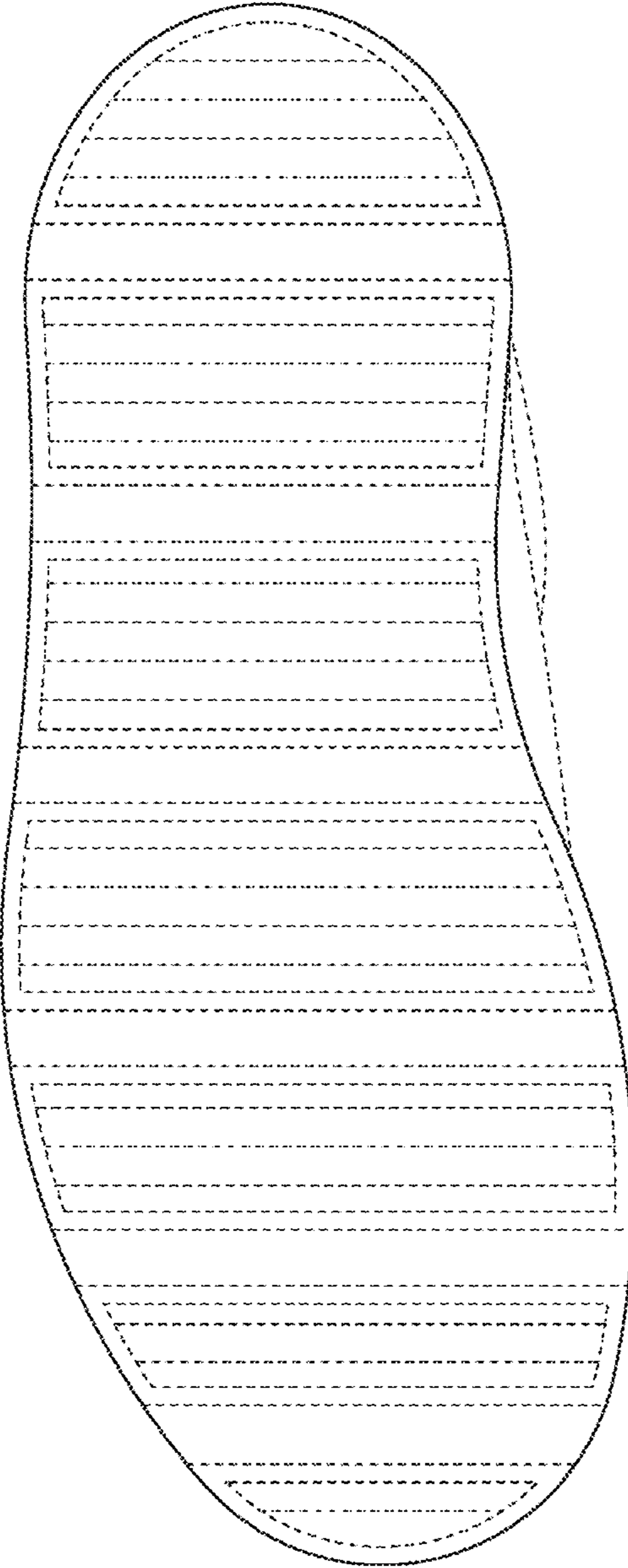


FIG. 8