



US00D940999S

(12) **United States Design Patent**
Moreau et al.

(10) **Patent No.:** **US D940,999 S**
(45) **Date of Patent:** **** Jan. 18, 2022**

(54) **GARMENT WITH HARNESS OPENING**

FOREIGN PATENT DOCUMENTS

(71) Applicant: **612465 Ontario Limited**, Niagara Falls (CA)

CA 171853 7/2017

(72) Inventors: **Lyse W. Moreau**, St. Catharines (CA);
Elaine M. Roy, Niagara Falls (CA);
Regina Racz, Niagara Falls (CA);
Suzanne M. Rose, Fonthill (CA);
Richard S. Samaroo, Brampton (CA)

OTHER PUBLICATIONS

Black Stallion Hybrid Welding Jacket, reviewed Oct. 9, 2017 [online], [site visited Jun. 7, 2021]. Available from internet, URL: <https://store.cyberweld.com/black-stallion-hi-vis-welding-jacket-jh1012-lm.html?utm_source=google&utm_medium=shopping&utm_campaign=googleproducts#reviews> (Year: 2017).*

(73) Assignee: **612465 Ontario Limited**, Niagara Falls (CA)

(Continued)

(**) Term: **15 Years**

Primary Examiner — Kevin K Rudzinski

Assistant Examiner — Amber J Rabie

(21) Appl. No.: **29/688,098**

(74) *Attorney, Agent, or Firm* — Bereskin & Parr LLP/S.E.N.C.R.L., s.r.l.

(22) Filed: **Apr. 18, 2019**

(57) **CLAIM**

(51) **LOC (13) Cl.** **02-02**

The ornamental design for a garment with harness opening, as shown and described.

(52) **U.S. Cl.**

USPC **D2/840**

DESCRIPTION

(58) **Field of Classification Search**

USPC D2/717, 731, 840, 845, 847, 850, 853, D2/857, 858

CPC A41D 13/0007; A41D 27/00; A41D 2600/102; A41D 2600/106; A41D 2600/108; A41D 2300/50; A41D 13/0056; A41D 27/28; A41D 13/0012; A41D 27/10; A41D 2600/10; A41D 1/08; A41D 31/14; A41D 13/0015; A62B 35/0006; A62B

(Continued)

FIG. 1 is a front view of the garment with harness opening according to the first embodiment;

FIG. 2 is a rear view thereof;

FIG. 3 is a front view thereof, in which the garment is shown in an open position;

FIG. 4 is a rear view thereof, in which a flap of the garment is shown in an open position;

FIG. 5 is a front view of the garment with harness opening according to the second embodiment;

FIG. 6 is a rear view thereof;

FIG. 7 is a front view thereof, in which the garment is shown in an open position; and,

FIG. 8 is a rear view thereof, in which a flap of the garment is shown in an open position.

The long dash broken lines in the drawings illustrate portions of the garment with harness opening that form no part of the claimed design. The short dash broken lines illustrate stitching that forms part of the claimed design.

(56) **References Cited**

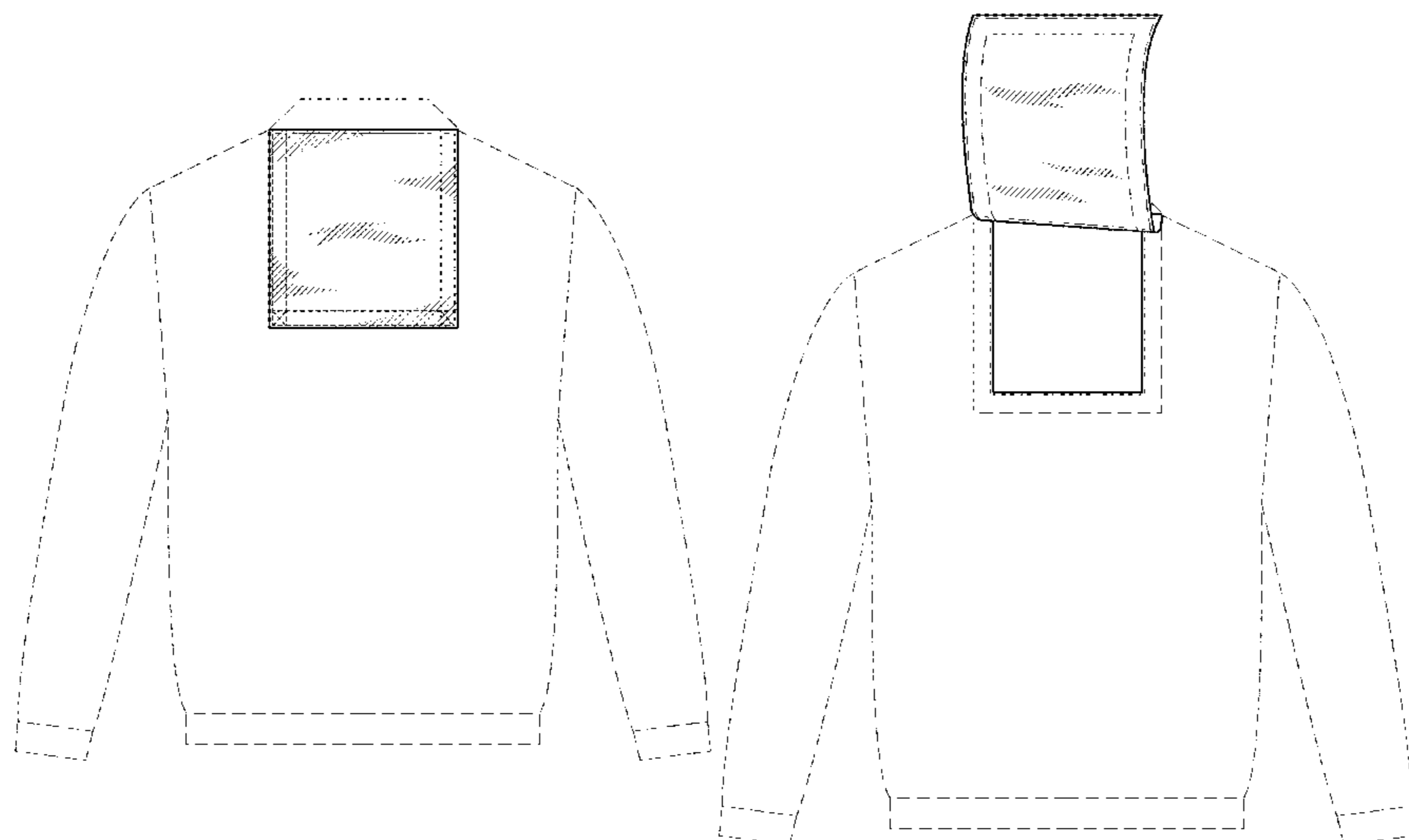
U.S. PATENT DOCUMENTS

2,528,044 A * 10/1950 Driesbach A41D 27/20 2/247

3,074,074 A * 1/1963 Lovering A41D 13/0012 2/94

(Continued)

1 Claim, 4 Drawing Sheets



US D940,999 S

(58) **Field of Classification Search**
 CPC 35/0025; A62B 35/0037; A62B 35/0018;
 A62B 35/00; A01K 27/002
 See application file for complete search history.

(56) **References Cited**

U.S. PATENT DOCUMENTS

4,004,294	A *	1/1977	Pinch	A41D 1/215	
					2/104	
5,548,842	A *	8/1996	Wiseman, Sr.	A41D 13/0002	
					128/201.29	
5,848,439	A *	12/1998	Huseth	A41D 1/215	
					2/104	
6,101,631	A *	8/2000	Ferguson, Jr.	A41D 13/0007	
					182/3	
6,256,789	B1 *	7/2001	Young	E04G 5/001	
					2/69	
6,487,725	B1 *	12/2002	Jordan	A41D 13/0007	
					182/3	
D480,208	S *	10/2003	Fisher	D3/238	
6,658,666	B2 *	12/2003	Schweer	A41D 13/0007	
					182/3	
D533,348	S *	12/2006	Andre	D3/303	
D564,211	S *	3/2008	Swartz	D3/201	
D596,829	S *	7/2009	Miller	D2/717	
D620,259	S *	7/2010	Fahrendorff	D3/303	
D651,397	S *	1/2012	Lett	D3/238	
D707,422	S *	6/2014	Olivadoti	A41D 27/20	
					D2/743	
8,776,266	B1 *	7/2014	Metz	A41D 13/0007	
					2/94	
D710,131	S *	8/2014	McNett	D6/608	
D710,571	S *	8/2014	James	D2/745	
D733,800	S *	7/2015	Carson	D19/59	
D736,499	S *	8/2015	Byrd	D2/849	
D745,252	S *	12/2015	Bednarz	D2/742	
D750,867	S *	3/2016	Lake	D2/502	
D785,907	S *	5/2017	Auth	D2/745	

D797,378	S	9/2017	Gill et al.			
D808,124	S	1/2018	Therrien			
D829,412	S	10/2018	Karim			
D833,080	S	11/2018	Kusnier			
D836,299	S	12/2018	Lamprey			
D838,932	S *	1/2019	Lawler	D2/717	
D839,550	S	2/2019	Wu et al.			
D843,688	S	3/2019	Pfanner			
D843,690	S	3/2019	Edmiston			
2003/0196246	A1 *	10/2003	Schweer	A41D 13/0007	
					2/94	
2004/0163156	A1 *	8/2004	Schweer	A62B 35/0018	
					2/69	
2008/0289086	A1 *	11/2008	Grilliot	A41D 13/0007	
					2/455	
2012/0005803	A1 *	1/2012	Sagami	A41D 13/1245	
					2/114	
2014/0237698	A1 *	8/2014	Murphy	A41D 13/0007	
					2/69	
2015/0359272	A1 *	12/2015	Murphy	A41D 13/0007	
					2/69	
2016/0360796	A1 *	12/2016	Prucka	A41B 9/16	
2016/0366956	A1 *	12/2016	Robinson	A41D 13/1245	
2017/0001049	A1 *	1/2017	Zeppetella	A62B 35/0006	
2017/0049077	A1 *	2/2017	Ng	A01K 27/002	
2019/0216142	A1 *	7/2019	Zeppetella	A41D 13/0007	

OTHER PUBLICATIONS

Elliotts has Proban & WAKATAC Welding jackets, announced Oct. 8, 2017 [online], [site visited Jun. 7, 2021]. Available from internet, URL: <<https://www.facebook.com/ElliottsQualitySafetyGear/photos/a.402918483099168/1601689539888717/?type=3>> (Year: 2017).*

Promax HV2 FR Hi-Vis with Leather Sleeves + Harness Flap, reviewed Jul. 18, 2018 [online], [site visited Jun. 7, 2021]. Available from internet, URL: <<https://www.weldclass.com.au/product-group/2156-jackets-promax-hv2-fr-hi-vis-with-leather-sleeves-harness-flap/category/169-apparel>> (Year: 2018).*

* cited by examiner

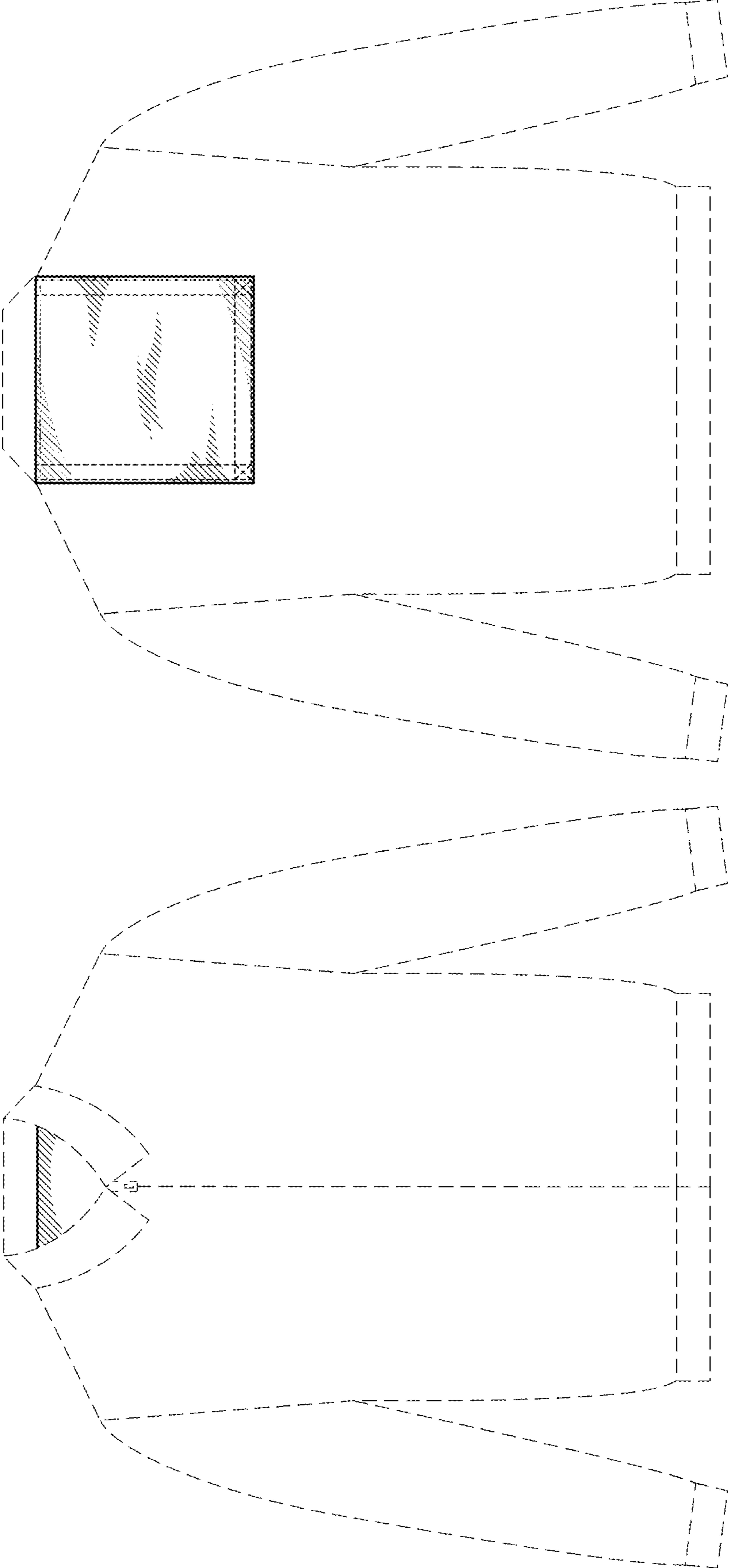


FIG. 2

FIG. 1

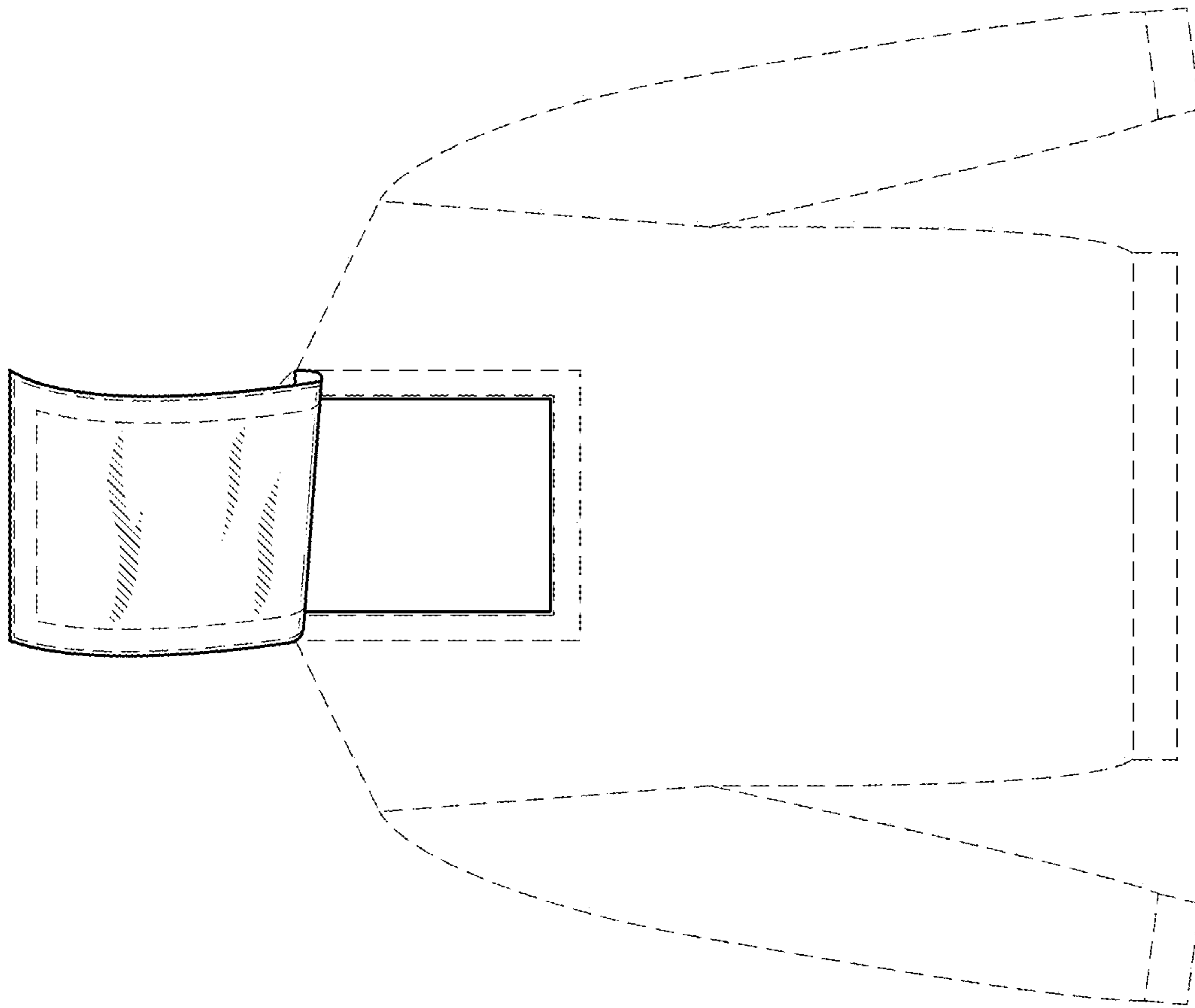


FIG. 4

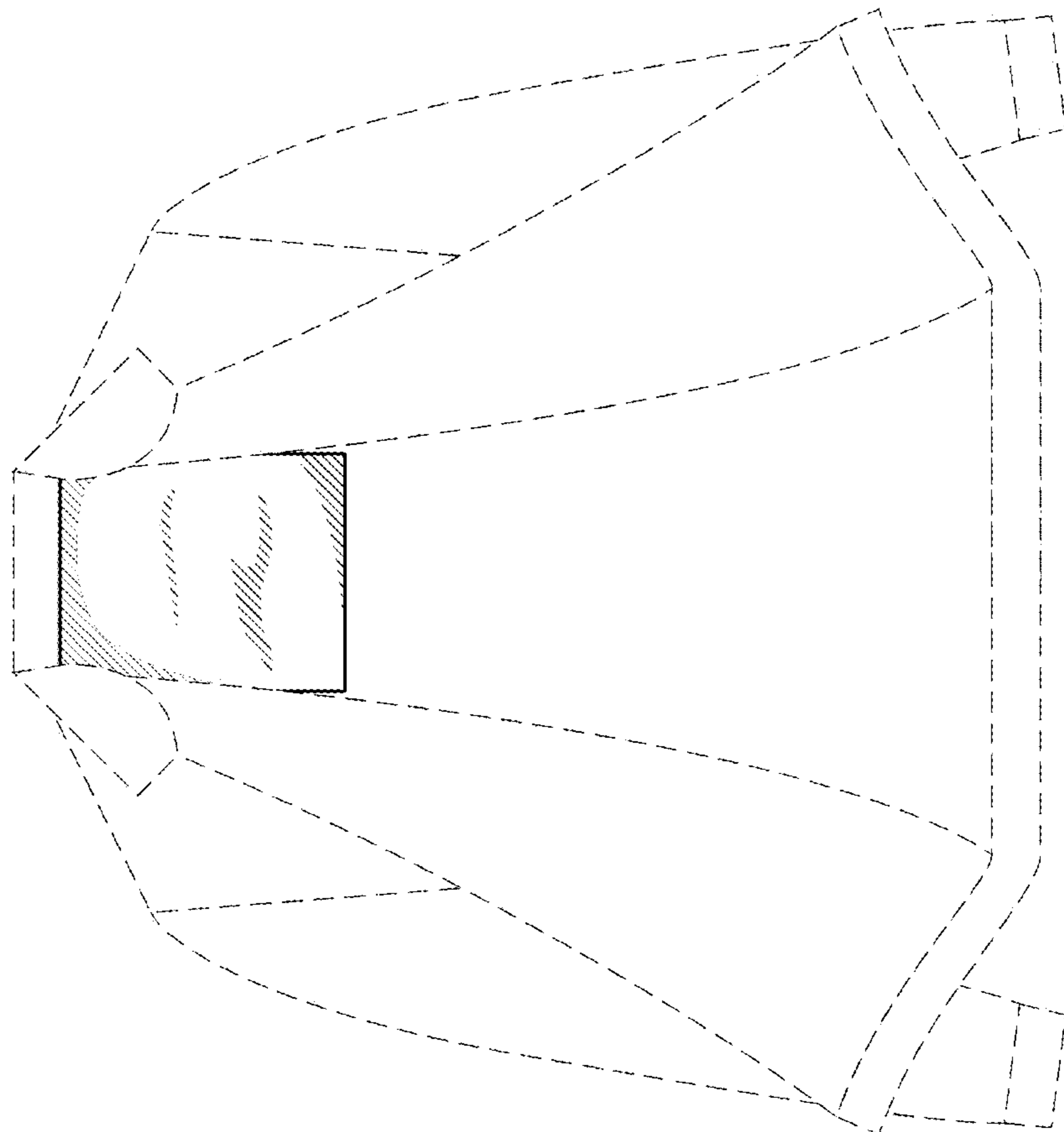


FIG. 3

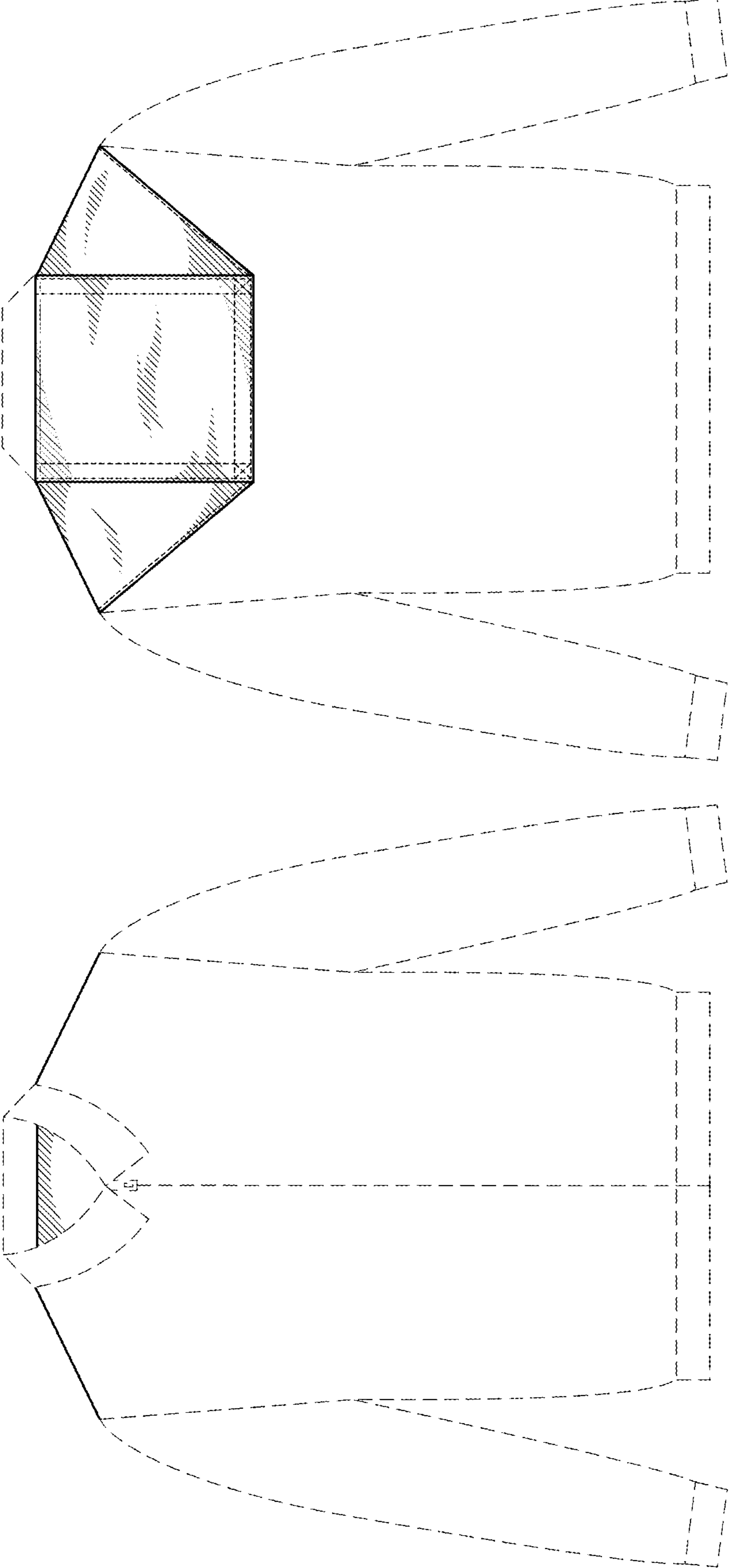


FIG. 6

FIG. 5

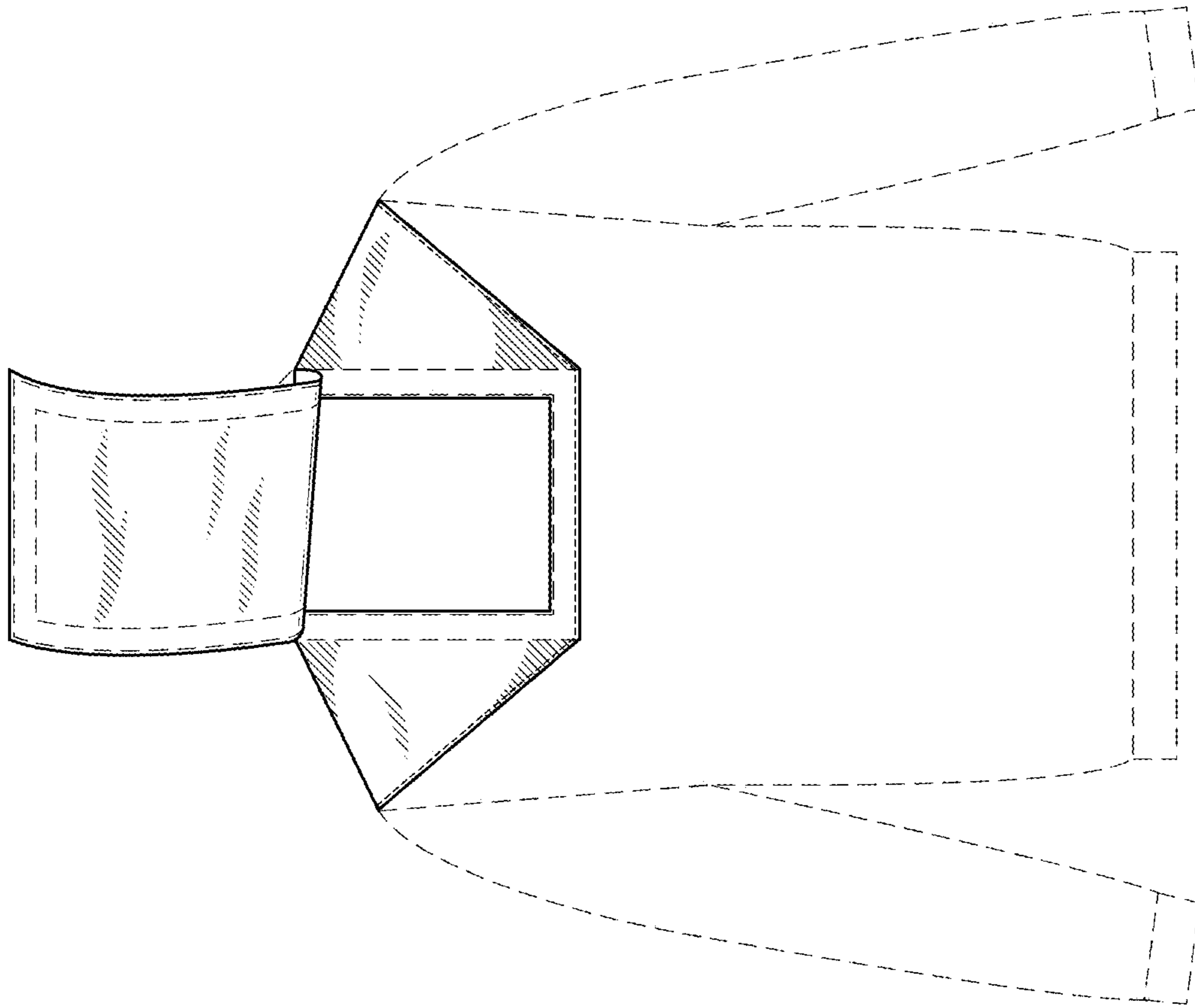


FIG. 8

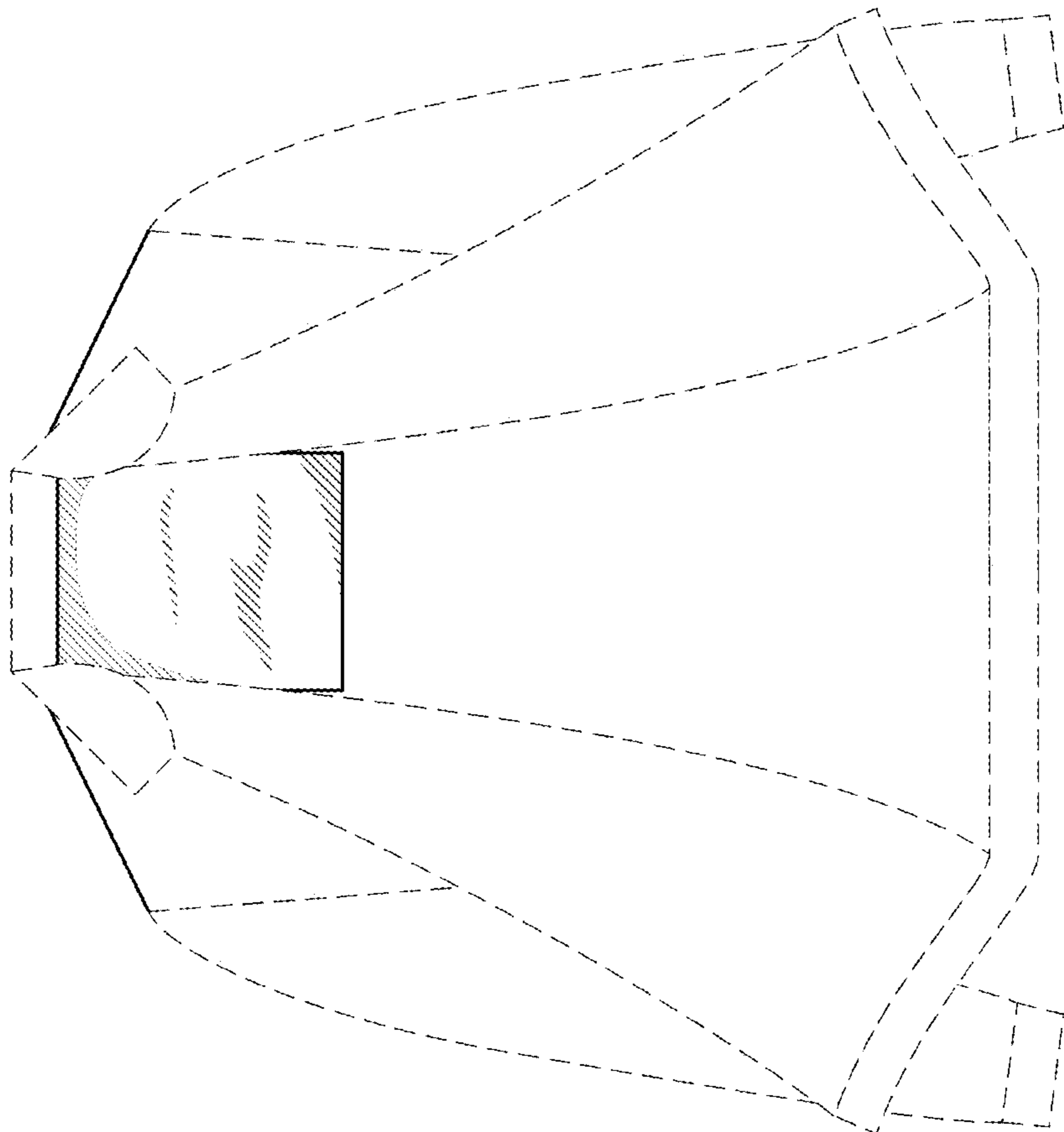


FIG. 7