



US00D940988S

(12) **United States Design Patent** (10) **Patent No.:** **US D940,988 S**  
**Andersen et al.** (45) **Date of Patent:** **\*\* Jan. 11, 2022**

(54) **FLOOR JACK**  
(71) Applicant: **Snap-on Incorporated**, Kenosha, WI (US)  
(72) Inventors: **Jonathan I. Andersen**, Mount Pleasant, WI (US); **James T. Rettler**, Kenosha, WI (US); **Benjamin T. Schulz**, Oak Creek, WI (US)

D388,926 S 1/1998 Sorensen  
D398,730 S \* 9/1998 Lin ..... D34/31  
D421,516 S 3/2000 Hung  
D423,750 S 4/2000 Hung  
D452,597 S 12/2001 Hung  
6,505,816 B1 1/2003 Hung  
D480,196 S 9/2003 Hsu  
(Continued)

(73) Assignee: **Snap-on Incorporated**, Kenosha, WI (US)

CA ID30962 11/1968  
CA ID101063 5/2003  
(Continued)

(\*\*) Term: **15 Years**

FOREIGN PATENT DOCUMENTS

(21) Appl. No.: **29/693,639**

Taiwan Office Action for Application No. 10920315790 dated Apr. 8, 2020, 3 pages.

(22) Filed: **Jun. 4, 2019**

(Continued)

(51) **LOC (13) Cl.** ..... **12-05**

(52) **U.S. Cl.**  
USPC ..... **D34/31**

(58) **Field of Classification Search**  
USPC ..... D34/31  
CPC ..... B66F 5/04; B66F 3/42; B66F 7/04; B66F 7/0658; B66F 7/08; B66F 7/085  
See application file for complete search history.

*Primary Examiner* — Cynthia Ramirez  
(74) *Attorney, Agent, or Firm* — Seyfarth Shaw LLP

(57) **CLAIM**

The ornamental design for a floor jack, as shown and described.

(56) **References Cited**

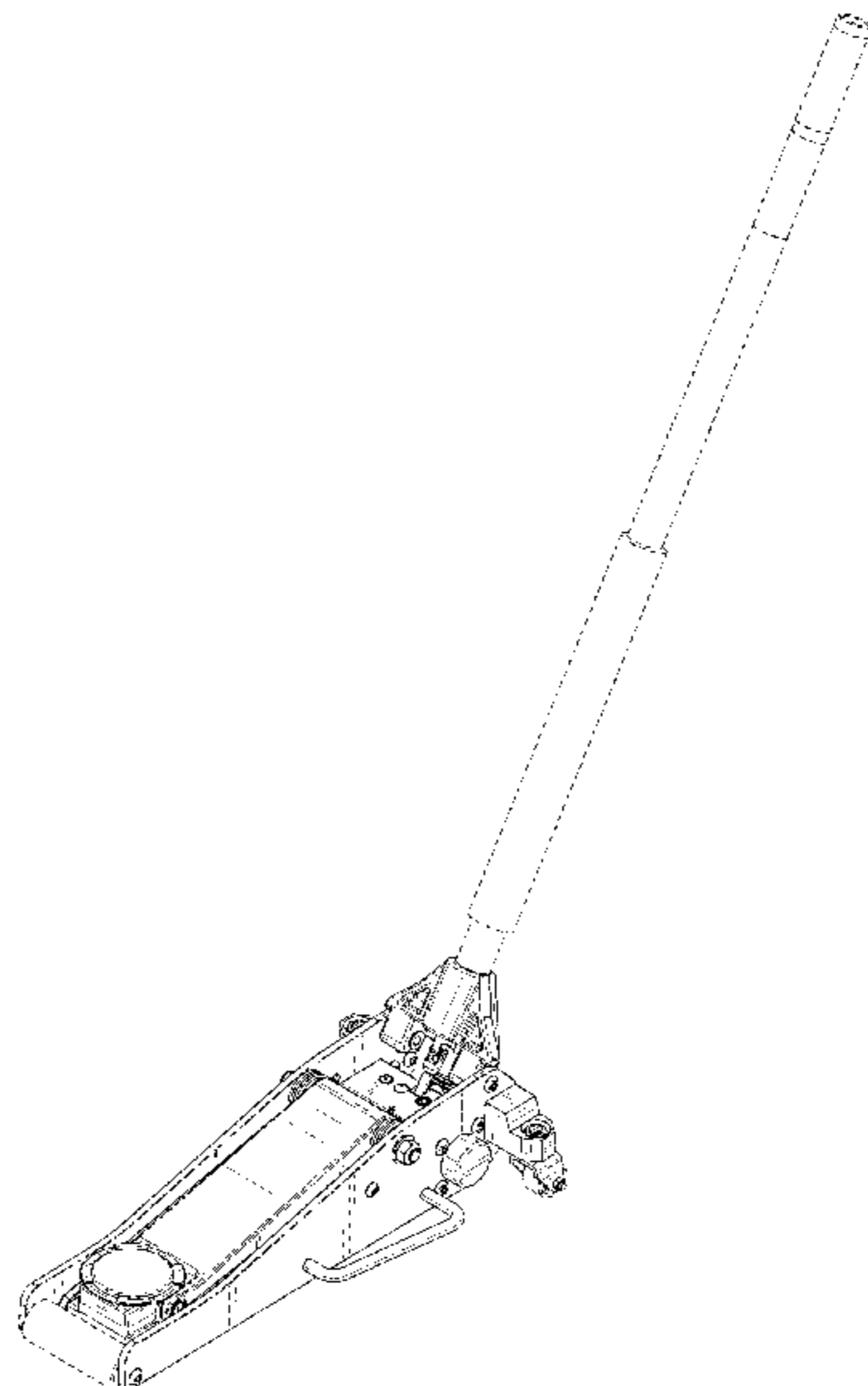
**DESCRIPTION**

U.S. PATENT DOCUMENTS

1,563,001 A	11/1925	Weaver
D139,341 S	11/1944	Page
3,181,836 A	5/1965	Arnes
D216,034 S	11/1969	Gaarder et al.
D221,974 S	9/1971	Kincaid
D263,128 S	2/1982	Glover, Jr. et al.
D272,670 S	2/1984	Tsujimura
D284,417 S	6/1986	Yamagishi
D286,934 S	11/1986	Hung
D296,598 S	7/1988	Hung
D332,337 S	1/1993	Wang
5,261,641 A	11/1993	Ployer
D358,923 S	5/1995	Hawkins

FIG. 1 is a perspective view of a floor jack showing the new design;  
FIG. 2 is a top view thereof;  
FIG. 3 is a bottom view thereof;  
FIG. 4 is a front view thereof;  
FIG. 5 is a rear view thereof;  
FIG. 6 is a left side view thereof; and,  
FIG. 7 is a right side view thereof.  
The broken lines shown are included for the purpose of illustrating portions of the floor jack that form no part of the claim.

**1 Claim, 7 Drawing Sheets**



(56)

References Cited

U.S. PATENT DOCUMENTS

D482,838 S 11/2003 Tsai  
 D485,412 S 1/2004 Hung  
 6,848,673 B1 2/2005 McLaughlin, Sr. et al.  
 D514,768 S 2/2006 Ji  
 7,036,796 B2 5/2006 Hsu  
 7,036,797 B2 5/2006 Liu  
 D531,377 S 10/2006 Liu  
 D538,502 S 3/2007 Hernandez  
 D540,504 S 4/2007 Mathieson  
 D561,422 S 2/2008 Kuen  
 7,334,774 B1 2/2008 Lin  
 D564,725 S 3/2008 Caswell  
 D582,623 S 12/2008 Qian et al.  
 D582,624 S 12/2008 Zhang  
 D590,121 S 4/2009 Shen et al.  
 D604,025 S 11/2009 Lin  
 7,845,614 B2 12/2010 Liu  
 D646,453 S 10/2011 Zhou  
 8,066,259 B2 11/2011 Fang et al.  
 8,366,074 B2 2/2013 Lin  
 8,376,319 B2 2/2013 Chen et al.  
 D682,501 S 5/2013 Shen et al.  
 D688,845 S 8/2013 Hernandez et al.  
 8,500,095 B1 8/2013 Salcedo  
 8,608,131 B2 12/2013 Kania  
 8,622,369 B2 1/2014 Kania  
 D720,514 S 12/2014 Fox et al.  
 D720,914 S 1/2015 Fox  
 D720,915 S 1/2015 Fox  
 D730,612 S 5/2015 James et al.  
 D756,055 S 5/2016 Michas  
 D760,989 S 7/2016 Martinez  
 D764,736 S \* 8/2016 Fox ..... D34/31  
 D823,569 S \* 7/2018 Fox ..... D34/31  
 D855,922 S \* 8/2019 Fox ..... D34/31  
 D863,711 S \* 10/2019 Fox ..... D34/31  
 D863,712 S \* 10/2019 Weixiang ..... D34/31  
 D906,622 S \* 12/2020 Zhengyang ..... D34/31  
 2001/0035522 A1 \* 11/2001 Brunnhoelzl ..... B66F 5/04  
 254/8 B  
 2003/0136951 A1 \* 7/2003 Hung ..... B66F 5/04  
 254/8 B  
 2006/0278857 A1 12/2006 Brocchini  
 2008/0111117 A1 5/2008 Wu  
 2009/0296380 A1 12/2009 Shen et al.  
 2014/0158962 A1 \* 6/2014 Lautzenhiser ..... B66F 3/26  
 254/93 H  
 2014/0326934 A1 11/2014 Zhou et al.  
 2016/0090280 A1 3/2016 DeArriba  
 2018/0057326 A1 3/2018 Loveless  
 2020/0048057 A1 \* 2/2020 Andersen ..... B66F 5/04

2020/0377349 A1 \* 12/2020 Schulz ..... B66F 5/04  
 2020/0385251 A1 \* 12/2020 Andersen ..... B66F 5/04  
 2021/0009393 A1 \* 1/2021 Lane ..... G08B 21/182

FOREIGN PATENT DOCUMENTS

CA ID150583 1/2014  
 CN 3271938 1/2003  
 CN 300893545 3/2009  
 CN 301294388 7/2010  
 CN 202245915 5/2012  
 CN 102765675 11/2012  
 CN 304103126 4/2017  
 GB 606294 8/1948  
 TW D105830 8/2005

OTHER PUBLICATIONS

Taiwan Office Action for Application No. 108306737 dated Jul. 20, 2020, 3 pages.  
 2 Ton Low Profile Jack W1642 Owner's Manual, 2009, 5 pages.  
 3-1/2-Ton Extra-Low Service Jack; <https://www.mactools.com/en-us/Shop-Equipment/Jacks/JSA350LR/3-1-2-Ton-Extra-Low-Service-Jack>, downloaded Feb. 9, 2021, 3 pages.  
 Jackco 3 Ton Low Profile Floor Jack (66300B); <https://tiresupplynetwork.com/products/jackco-66300b-3-ton-low-profile-floor-jack>; downloaded Feb. 11, 2021, 4 pages.  
 HeinWerner 2-Ton; <http://heinwerner-automotive.com/ProductDetails/Hein-WernerAutomotive/2TonServiceJack/HW93642/522>; downloaded Feb. 11, 2021; 1 page.  
 Pittsburgh Automotive 3 Ton Heavy Duty Ultra Low Profile Steel Floor Jack with Rapid Pump Quick Lift; [https://www.google.com/shopping/product/2157288730203149697?q=Pittsburgh+Automotive+3+Ton+Heavy+Duty+Ultra+Low+Profile+Steel+Floor+Jack+with+R&prds=eto:18057317871259624158\\_0;10168886424154519413\\_0&sa=X&ved=0ahUKEwird6G7d\\_uAhWEG80KHacUBVcQ9pwGCA4](https://www.google.com/shopping/product/2157288730203149697?q=Pittsburgh+Automotive+3+Ton+Heavy+Duty+Ultra+Low+Profile+Steel+Floor+Jack+with+R&prds=eto:18057317871259624158_0;10168886424154519413_0&sa=X&ved=0ahUKEwird6G7d_uAhWEG80KHacUBVcQ9pwGCA4); downloaded Feb. 11, 2021; 3 pages.  
 Arcan Ultra Low Lift Point Service Jack Model LL-35; Dec. 4, 2002, 7 pages.  
 CSESJS50A—3-1/2 Ton “Big Blue Monster” Service Jack; <http://corporate.cornwelltools.com/webcat/products/CSESJS50A-%252d-3%252d1%7B47%7D2-Ton-%E2%80%9DBig-Blue-Monster%E2%80%9D-Service-Jack.html>, downloaded Feb. 9, 2021, 1 page.  
 Performance Tool W1627 3.5 Ton Capacity Low Profile Service Jack; <https://www.amazon.com/Performance-Tool-W1627-Capacity-Profile/dp/B008PAZ7VY>, downloaded Feb. 9, 2021, 11 pages.  
 Daytona 3 Ton Super Duty Floor Jack DJ3000 Owner's Manual, 12 pages.

\* cited by examiner

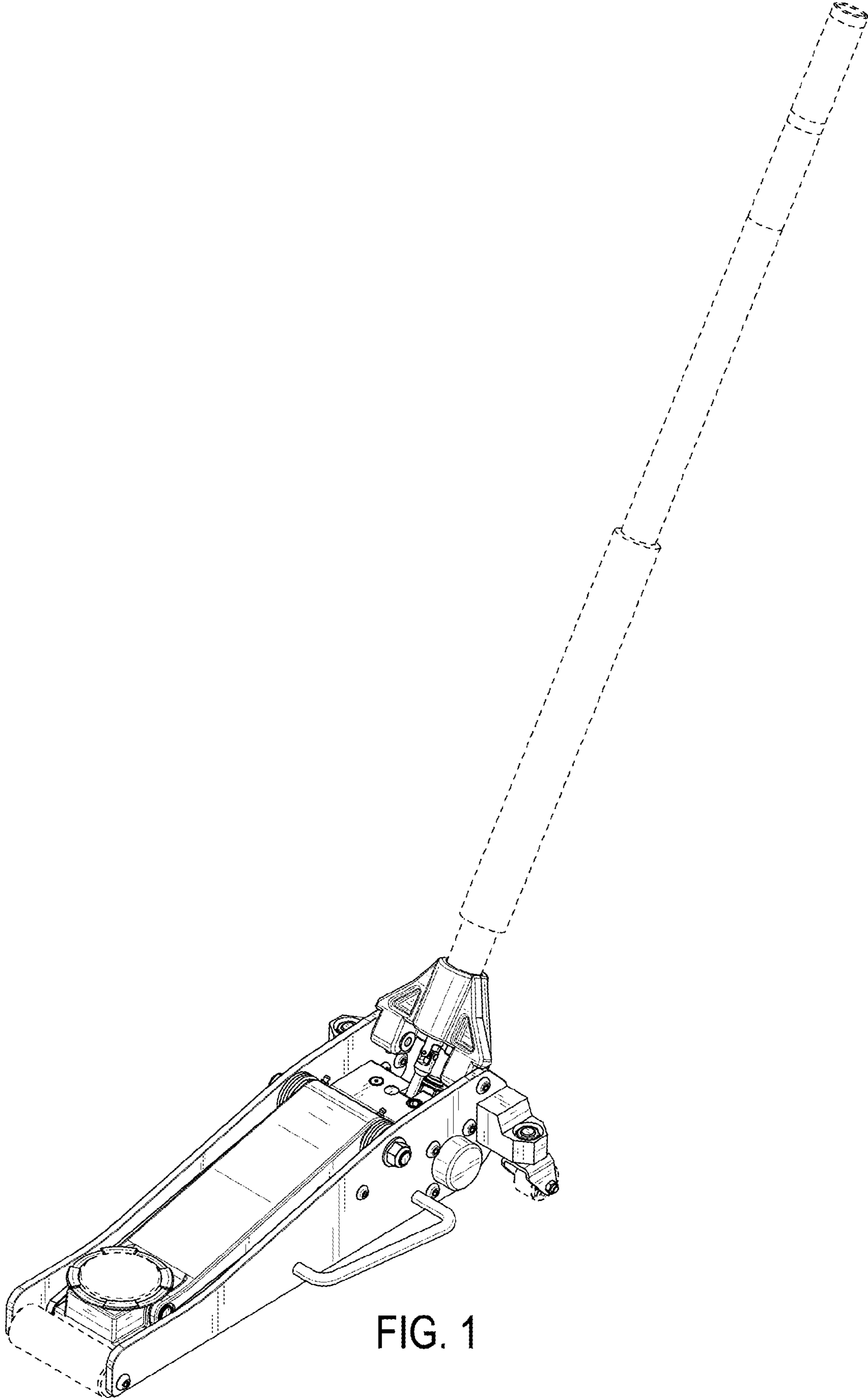


FIG. 1



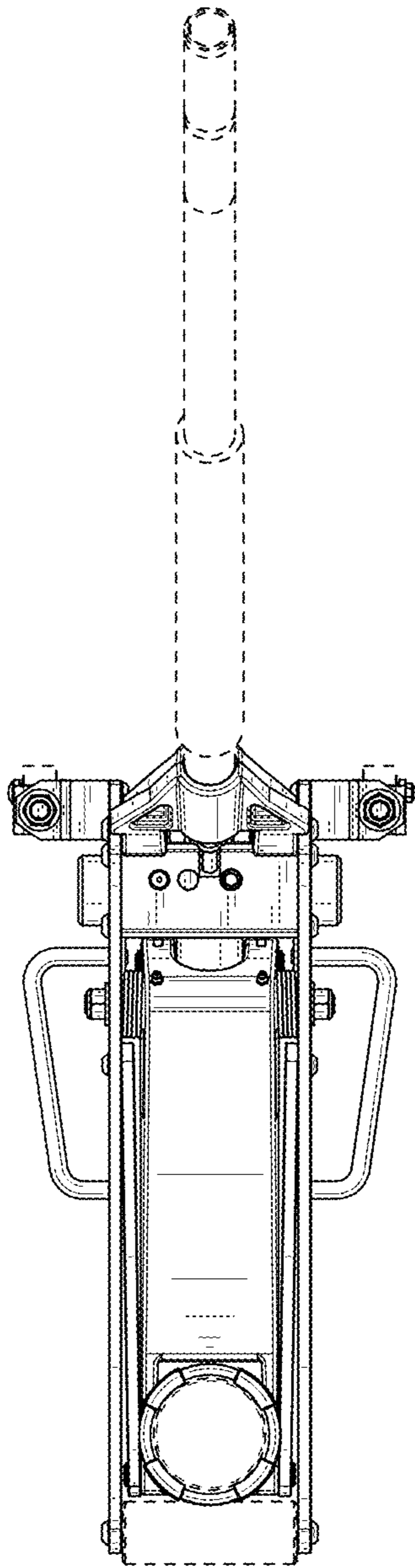


FIG. 2

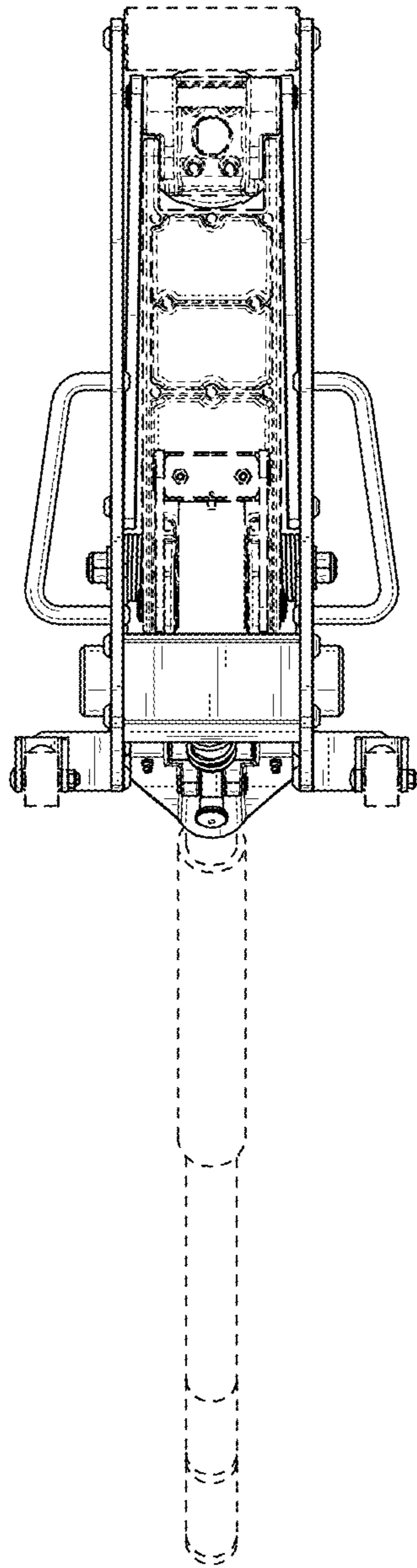


FIG. 3

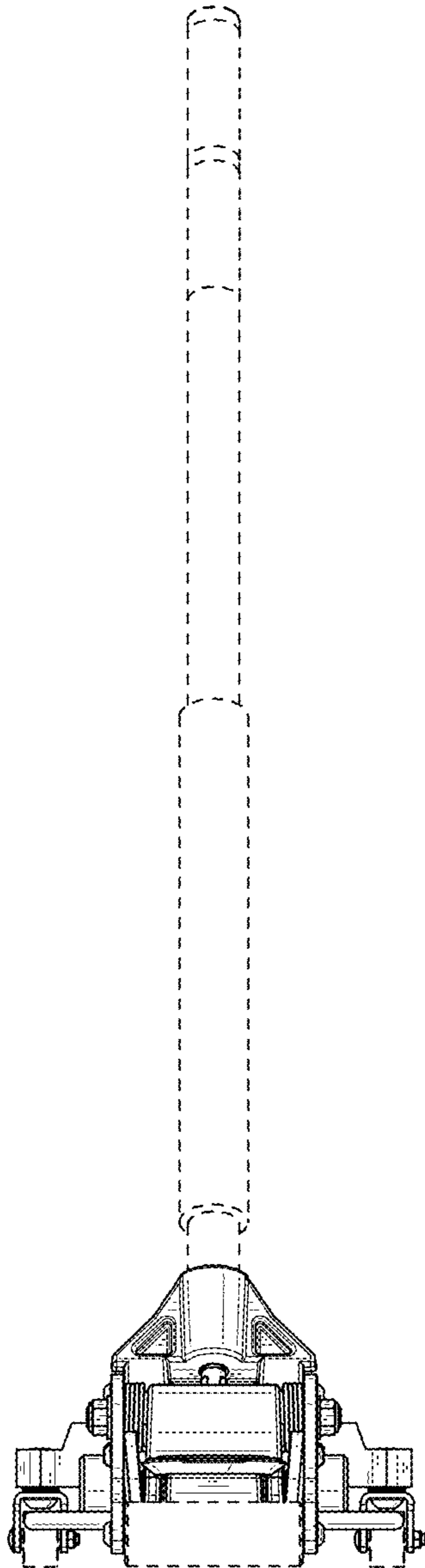


FIG. 4

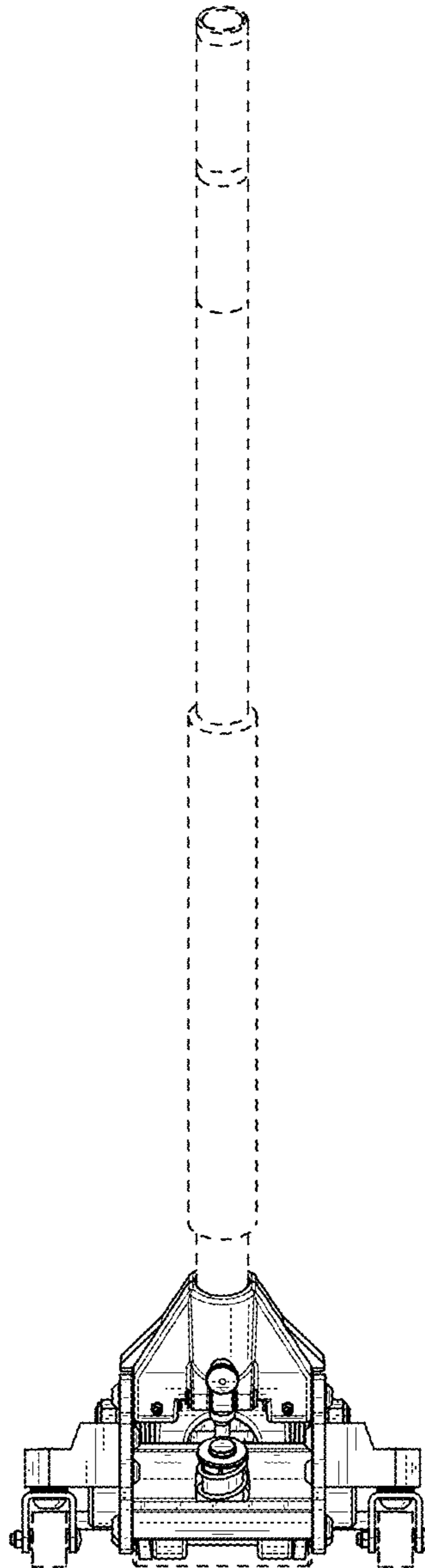


FIG.5

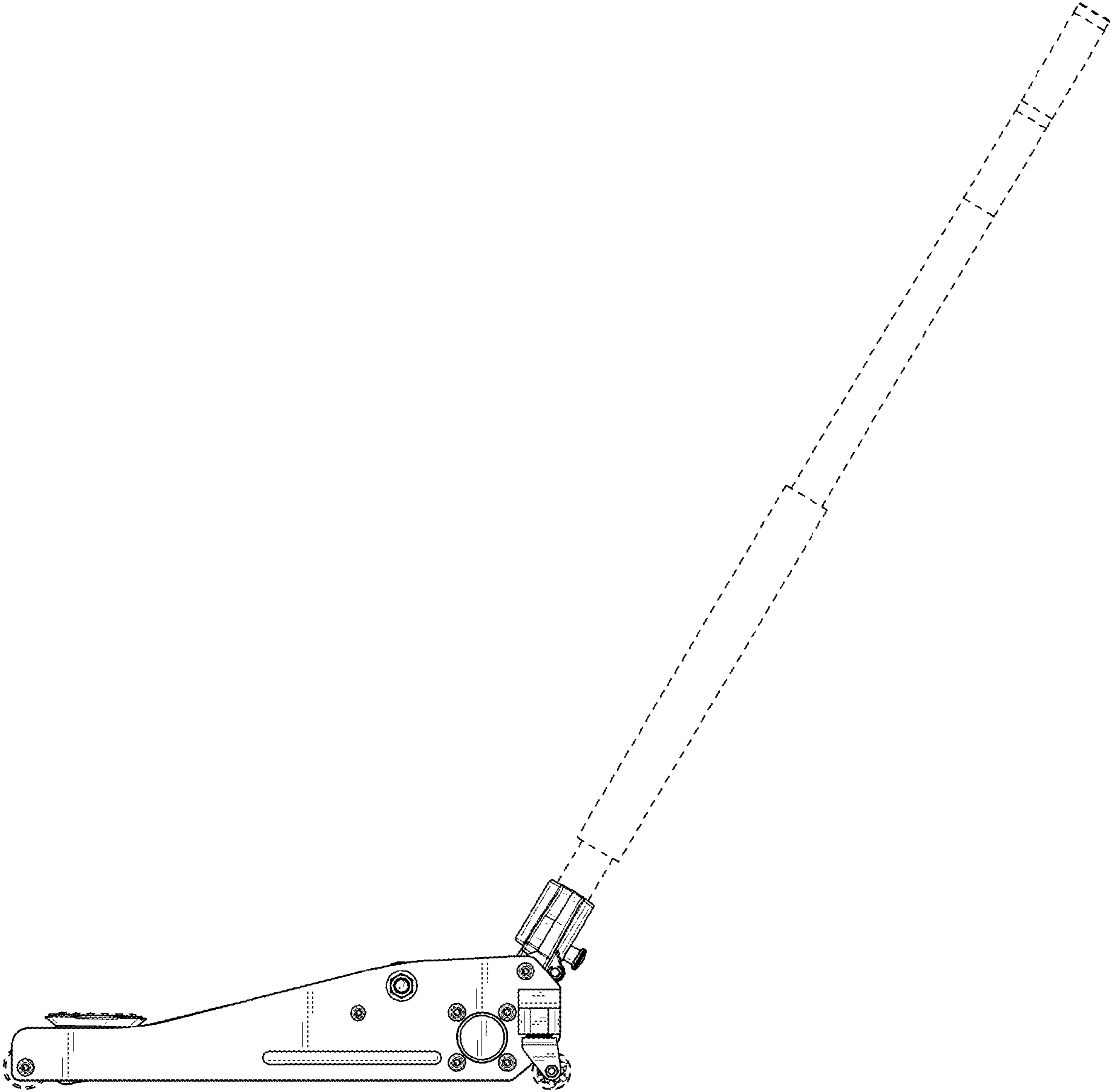


FIG. 6



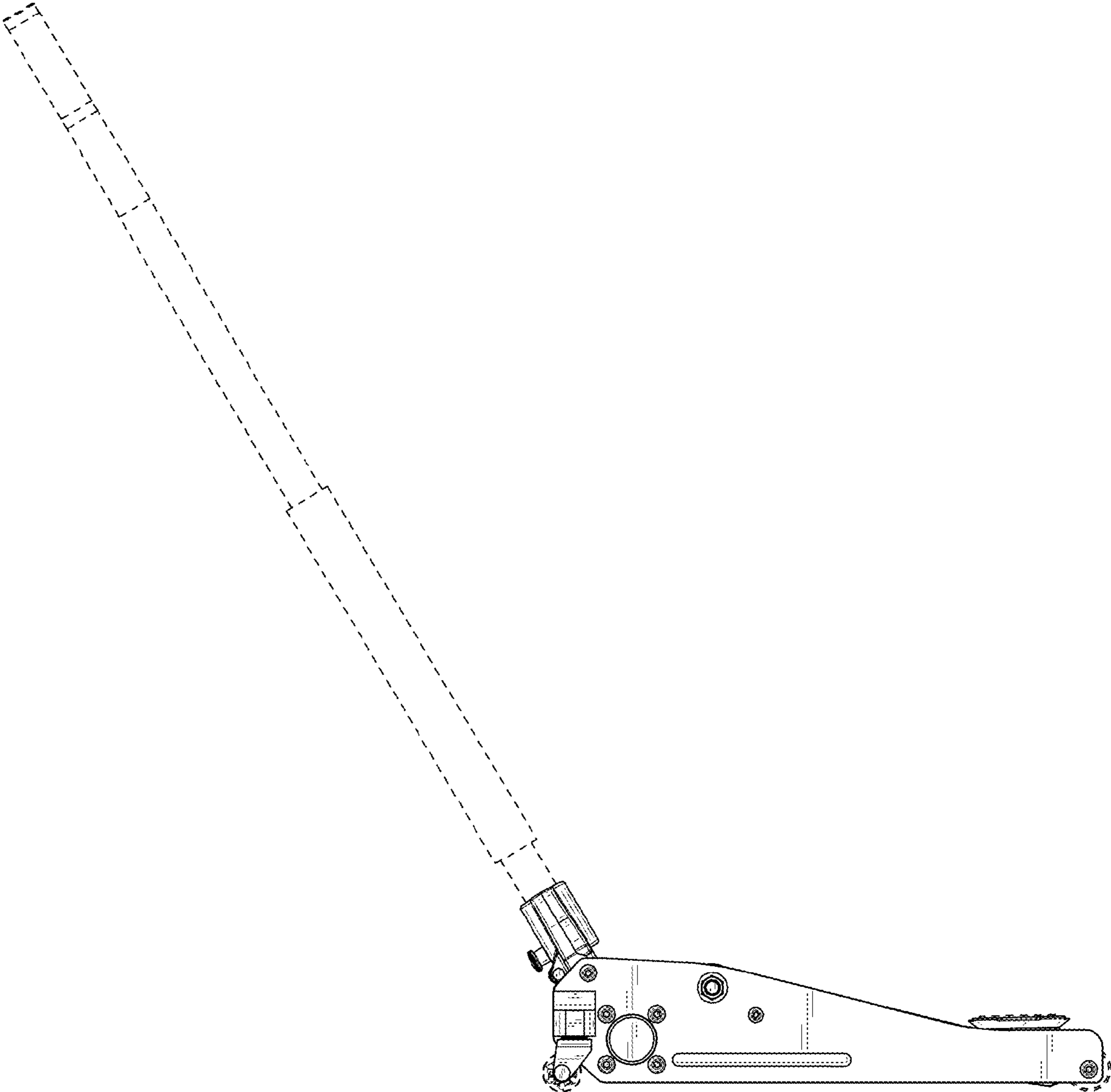


FIG. 7