

US00D940986S

(12) **United States Design Patent**
Walker

(10) **Patent No.:** **US D940,986 S**
(45) **Date of Patent:** **** Jan. 11, 2022**

- (54) **LID FOR A FLAT BACK BUCKET**
- (71) Applicant: **Robin E. Walker**, Chicago, IL (US)
- (72) Inventor: **Robin E. Walker**, Chicago, IL (US)
- (73) Assignee: **Robin E. Walker**, Chicago, IL (US)
- (**) Term: **15 Years**
- (21) Appl. No.: **29/704,024**
- (22) Filed: **Aug. 30, 2019**

Related U.S. Application Data

- (63) Continuation of application No. 15/053,050, filed on Feb. 25, 2016, now Pat. No. 10,399,749.
- (51) **LOC (13) Cl.** **15-05**
- (52) **U.S. Cl.**
USPC **D32/54**
- (58) **Field of Classification Search**
USPC D3/308; D9/454, 449; D21/721;
D22/136; D30/130, 131; D32/53, 53.1;
D34/7, 8
CPC B65D 43/161; B65D 25/32; B65D 21/022;
B65D 43/021; B65D 25/2888; A45F 5/00;
A47G 23/04; A47J 36/08; A47J 47/18;
A01K 97/05; A01K 97/06; F16K 15/185;
B65F 1/12; B65F 1/163; B65F 1/1646;
B65F 1/0006
See application file for complete search history.

(56) **References Cited**

U.S. PATENT DOCUMENTS

- 1,031,015 A * 7/1912 Lundgaard A47J 36/08
210/245
- 1,170,797 A * 2/1916 Burroughs B65F 1/163
220/263
- 1,441,040 A * 1/1923 Stephenson B65F 1/12
220/480

- D163,697 S * 6/1951 Keiding D22/136
 - 2,711,267 A * 6/1955 Doolittle A47J 47/18
220/324
 - 3,421,654 A 1/1969 Hexel
 - 3,782,583 A * 1/1974 Abbey B65D 43/161
220/837
 - 4,896,452 A * 1/1990 Smith A01K 97/05
43/17.1
 - 4,946,057 A 8/1990 Connolly et al.
 - 4,955,513 A 9/1990 Bennett
- (Continued)

OTHER PUBLICATIONS

Vikan lid <https://store.savesmartproducts.com/vikan-5-gallon-bucket-lid-red/> (Year: 2021).*

(Continued)

Primary Examiner — Michelle E. Wilson
Assistant Examiner — Richard E Yenchesky
(74) *Attorney, Agent, or Firm* — McAndrews Held & Malloy, Ltd.

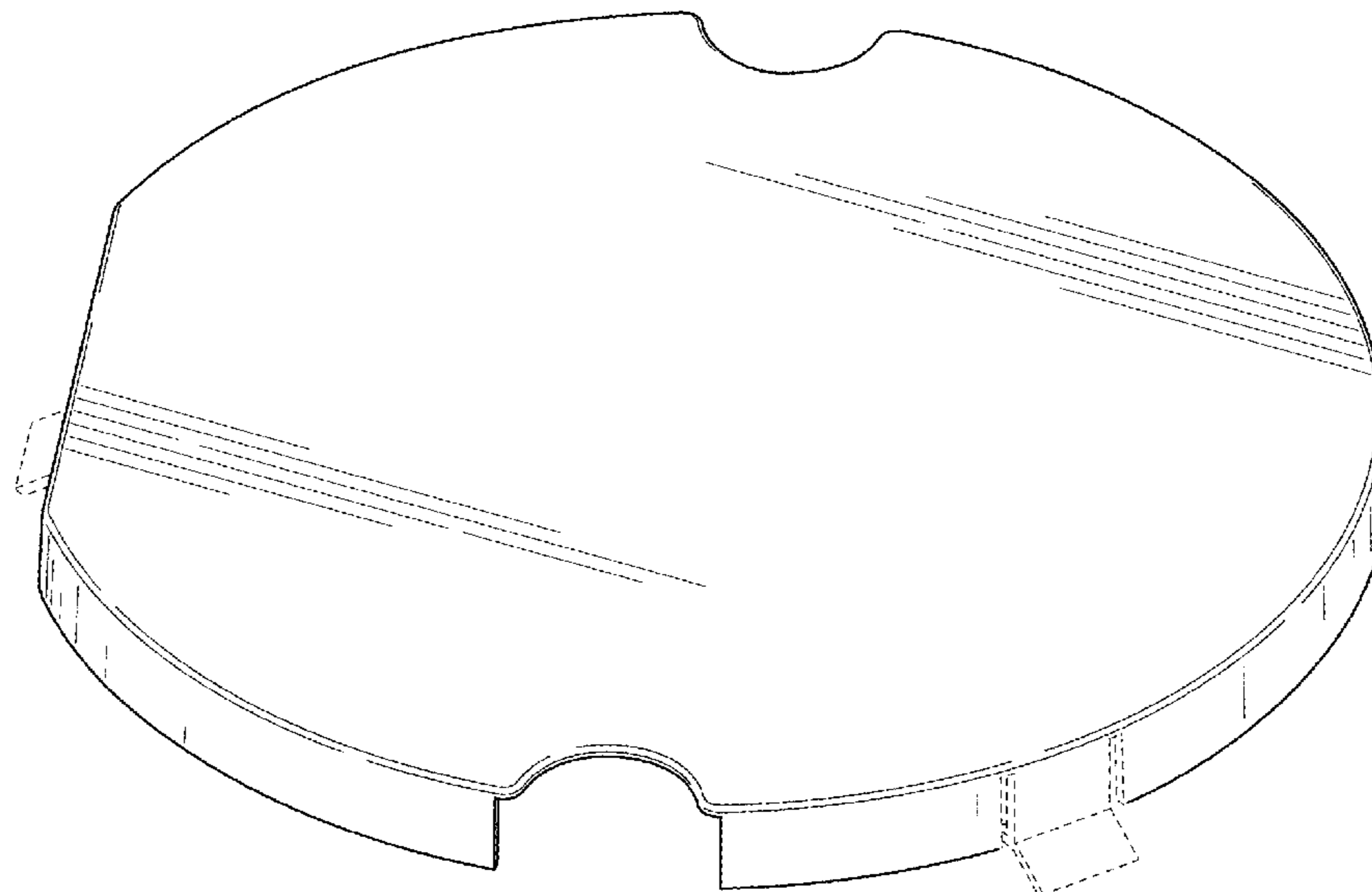
(57) **CLAIM**

The ornamental design for a lid for a flat back bucket, as shown and described.

DESCRIPTION

FIG. 1 is a left side perspective view of a lid for a flat back bucket, showing my new design;
FIG. 2 is a right side elevation view thereof;
FIG. 3 is a left side elevation view thereof;
FIG. 4 is a rear elevation view thereof;
FIG. 5 is a front elevation view thereof;
FIG. 6 is a top plan view thereof;
FIG. 7 is a bottom plan view thereof; and,
FIG. 8 is a rear perspective view thereof.
The dashed broken lines in the figures depict portions of the lid for a flat back bucket that form no part of the claimed design.

1 Claim, 5 Drawing Sheets



(56)

References Cited

U.S. PATENT DOCUMENTS

5,345,784 A * 9/1994 Bazemore A47G 23/04
62/371
D351,701 S * 10/1994 Sawatsky D34/7
5,452,820 A * 9/1995 Mislavsky B65D 21/022
220/827
D389,553 S * 1/1998 Muto D22/136
5,758,886 A 6/1998 Mayer
5,870,969 A 2/1999 Boyce
D425,600 S * 5/2000 Pas D22/136
D439,022 S * 3/2001 Brandeis D3/308
D442,668 S * 5/2001 Tobias D22/136
D462,737 S * 9/2002 Lipari D22/136
6,783,018 B1 * 8/2004 Rondeau A01K 97/05
220/254.3
6,851,569 B2 * 2/2005 Conti B65D 25/32
220/297
6,866,172 B2 * 3/2005 Shackelford A45F 5/00
220/695
7,201,355 B1 4/2007 Zien et al.
D552,351 S * 10/2007 Bauers D21/721
D553,319 S * 10/2007 Martelly D32/53.1
D589,214 S * 3/2009 Johnston D30/131
D593,269 S 5/2009 Weiler
7,578,411 B1 8/2009 Zien et al.
D688,434 S * 8/2013 Kinsky D32/53
8,733,585 B2 * 5/2014 Abdi B65D 25/2888
220/826
8,806,803 B1 * 8/2014 Mitchell A01K 97/06
43/54.1
D722,735 S * 2/2015 Del Rosario Roy D34/8
D756,583 S * 5/2016 Arvinte D32/53
9,371,924 B2 * 6/2016 Foucault F16K 15/185

D769,561 S * 10/2016 Galbraith D32/53
D783,917 S * 4/2017 Gringer D32/53.1
D784,811 S * 4/2017 Scevola D9/454
D785,129 S * 4/2017 Humphreys, Jr. D22/136
D819,897 S * 6/2018 Felton D30/131
D859,155 S * 9/2019 Reiley D9/449
10,399,749 B1 * 9/2019 Walker B65D 43/161
D887,268 S * 6/2020 Rhea D9/449
2004/0089665 A1 * 5/2004 Nnamani B65F 1/0006
220/495.08
2004/0188451 A1 9/2004 Karlsson
2008/0190951 A1 * 8/2008 Gallagher B65D 43/021
220/826
2011/0000919 A1 * 1/2011 Whalen B65D 43/0212
220/500
2015/0158172 A1 6/2015 Conway et al.
2016/0200508 A1 * 7/2016 Thoma B65F 1/1646
220/495.11

OTHER PUBLICATIONS

E-Z Bucket Covers, SmartPak Equine, <http://www.smartpakequine.com>, retrieved Feb. 24, 2016.
All Terrain Bucket System, Just HorsN Around, LLC, <http://justhorsnaround.com>, retrieved Feb. 24, 2016.
Lids for Vikan Pails, Contractor Supply Net Work, <http://contractorsupplynetwork.com>, retrieved Feb. 24, 2016.
Brabantia Flatback Fingerprint Proof Bin, Mummy Melton, <http://mummymelton.blogspot.com/2013/11/review-brabantia-flatback-fingerprint.html>, retrieved Feb. 24, 2016.
Lid for Bucket, Vikan Products, <http://www.vikan.com/uk/all-products/detail/?gid=7820&id=1957>, retrieved Feb. 24, 2016.

* cited by examiner

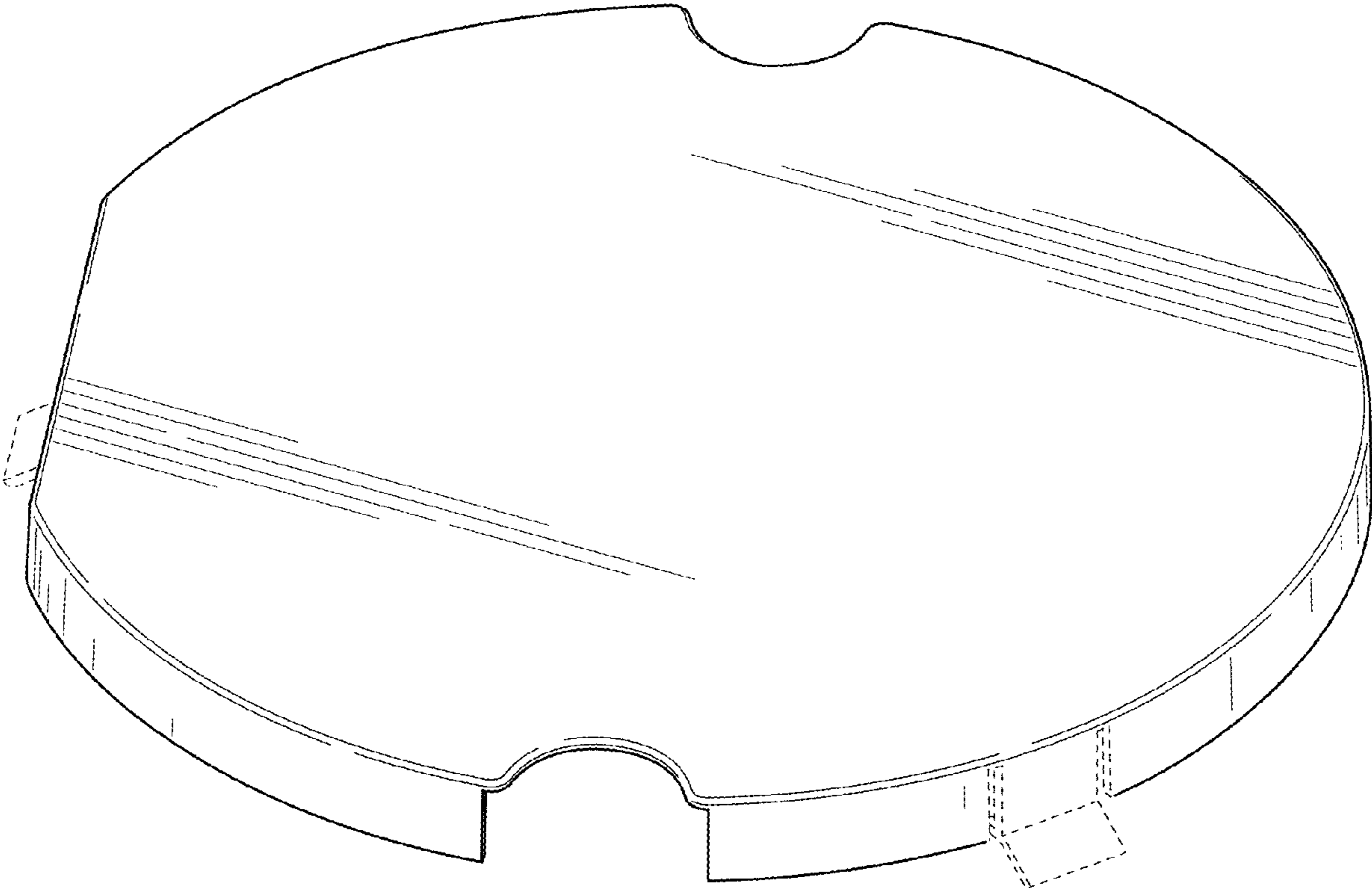


FIG. 1



FIG. 2

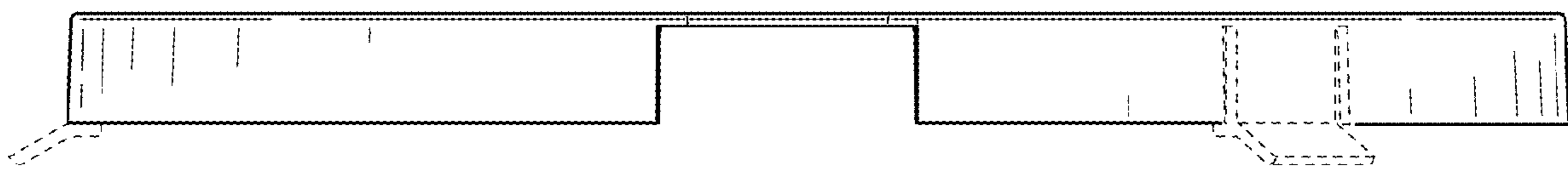


FIG. 3

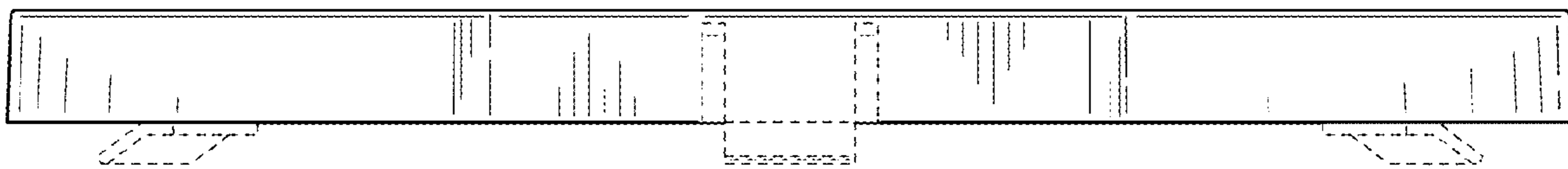


FIG. 4

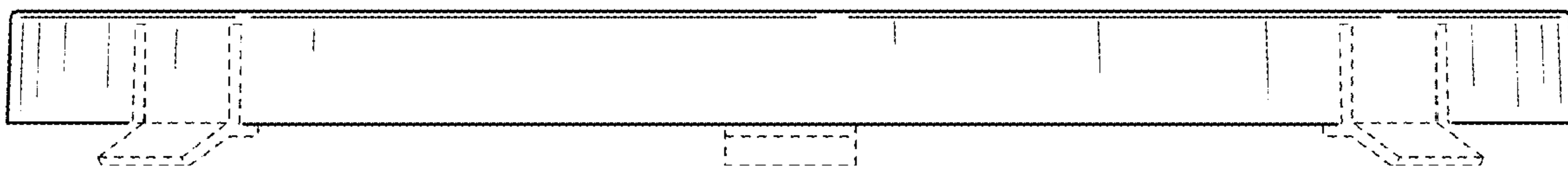


FIG. 5

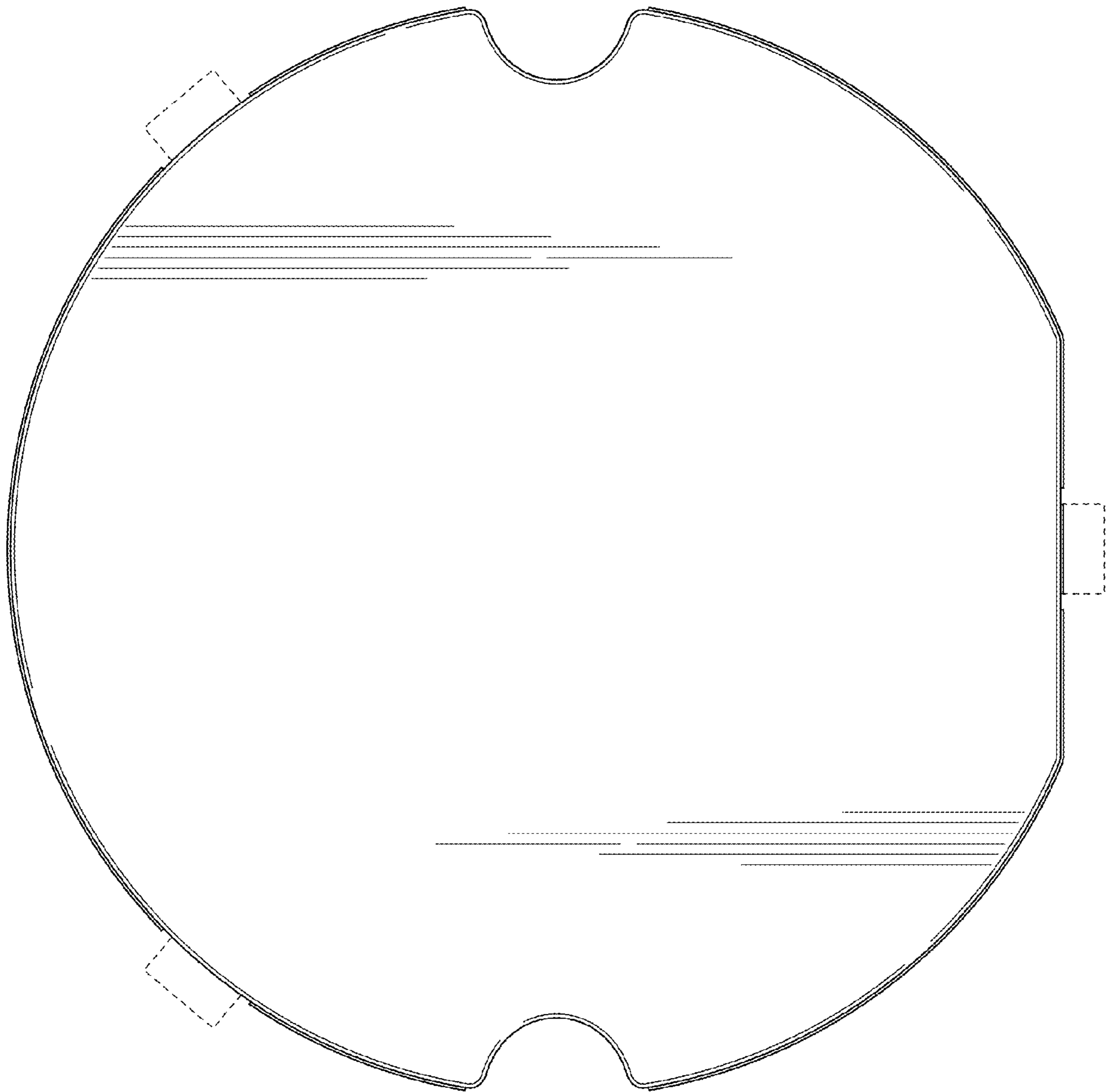


FIG. 6

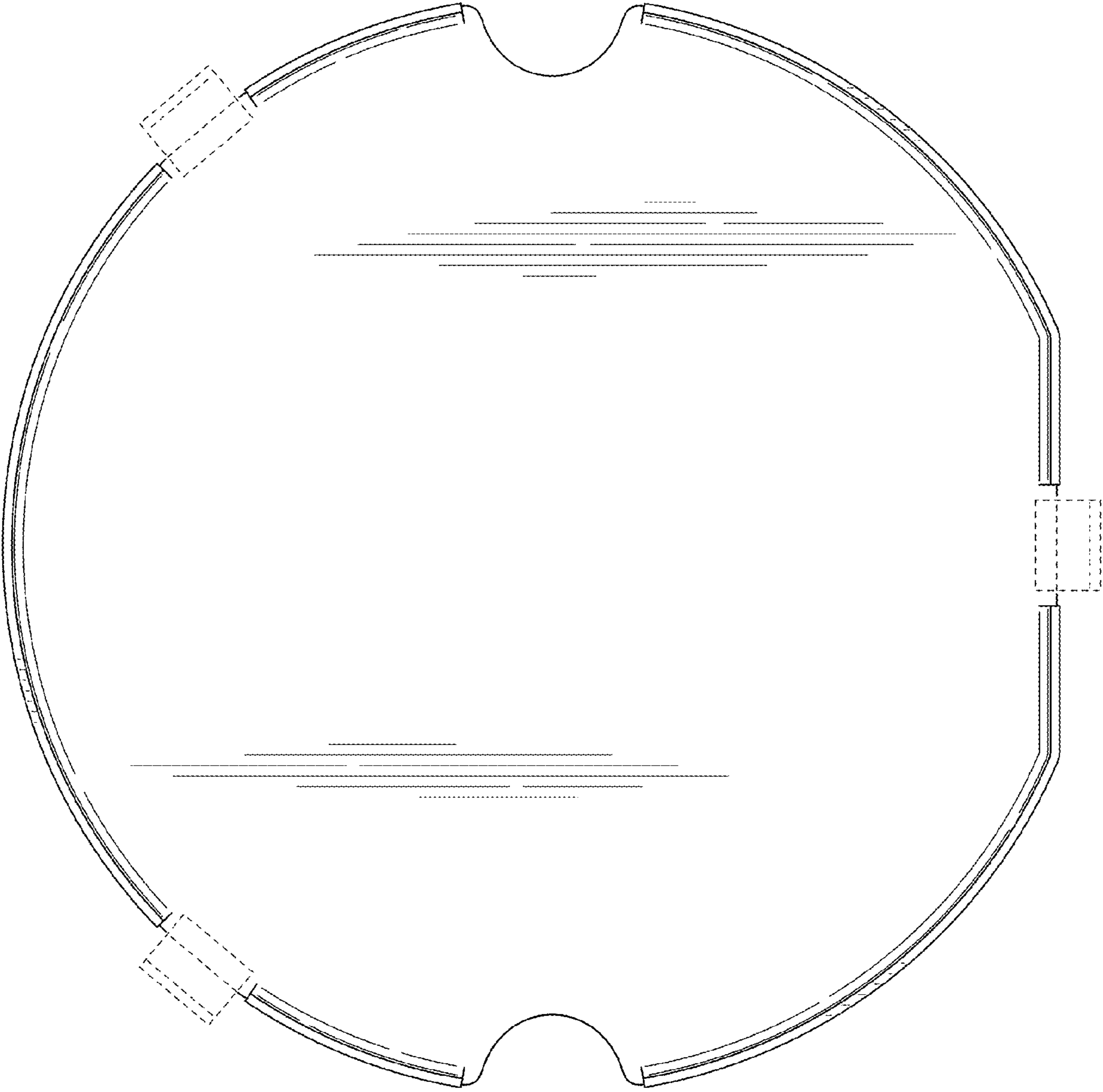


FIG. 7

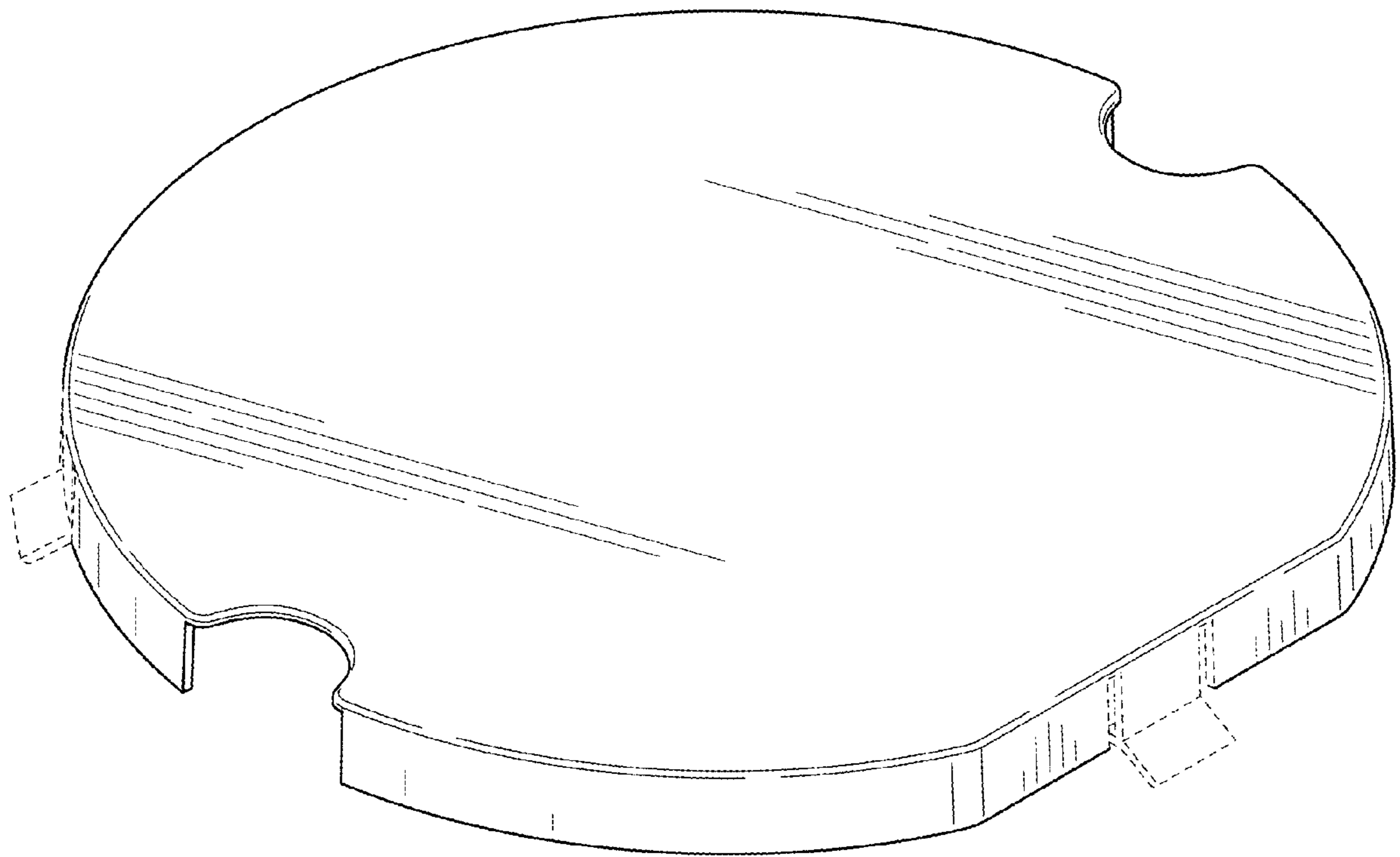


FIG. 8