



US00D940984S

(12) **United States Design Patent** (10) **Patent No.:** **US D940,984 S**  
**Bergman et al.** (45) **Date of Patent:** **\*\* \*Jan. 11, 2022**

- (54) **PAINT VESSEL** 4,927,046 A \* 5/1990 Armstrong ..... B44D 3/121  
220/697
- (71) Applicant: **Bercom International, LLC,** 5,085,391 A \* 2/1992 Berger ..... A47G 19/06  
Chanhassen, MN (US) 220/23.83
- (72) Inventors: **Mark W. Bergman,** Minnetonka, MN 5,111,960 A \* 5/1992 Zilliox ..... A47G 19/23  
(US); **Jeffrey T. Given,** St. Paul, MN 220/23.4  
(US); **Matthew V. Leyden,** St. Paul,  
MN (US); **Jeffrey B. Waffensmith,**  
North Oaks, MN (US)

(Continued)

- (73) Assignee: **Bercom International, LLC,**  
Chanhassen, MN (US)

(\*) Notice: This patent is subject to a terminal disclaimer.

(\*\*) Term: **15 Years**

(21) Appl. No.: **29/711,215**

(22) Filed: **Oct. 29, 2019**

**Related U.S. Application Data**

- (62) Division of application No. 29/670,505, filed on Nov. 16, 2018, now Pat. No. Des. 867,707, which is a division of application No. 29/617,473, filed on Sep. 14, 2017, now Pat. No. Des. 836,876.

(51) **LOC (13) Cl.** ..... **07-05**

(52) **U.S. Cl.**  
USPC ..... **D32/53.1**

(58) **Field of Classification Search**  
USPC ..... D32/53, 53.1, 54; D3/304  
CPC ..... B44D 3/121; B44D 3/126  
See application file for complete search history.

(56) **References Cited**

**U.S. PATENT DOCUMENTS**

- 3,419,196 A \* 12/1968 Moore ..... B65D 1/22  
222/465.1
- 4,516,685 A \* 5/1985 French ..... A47G 19/06  
206/563

**OTHER PUBLICATIONS**

Handy 5500-CC Handy Paint Grid posted to amazon.com. Available date: Dec. 4, 2014 [site visited May 25, 2021] Available: <https://www.amazon.com/HANDY-5500-CC-Handy-Paint-Grid/dp/B00QKUZHKC> (Year: 2014).\*

(Continued)

*Primary Examiner* — Kevin K Rudzinski  
(74) *Attorney, Agent, or Firm* — Westman, Champlin & Koehler, PA

(57) **CLAIM**

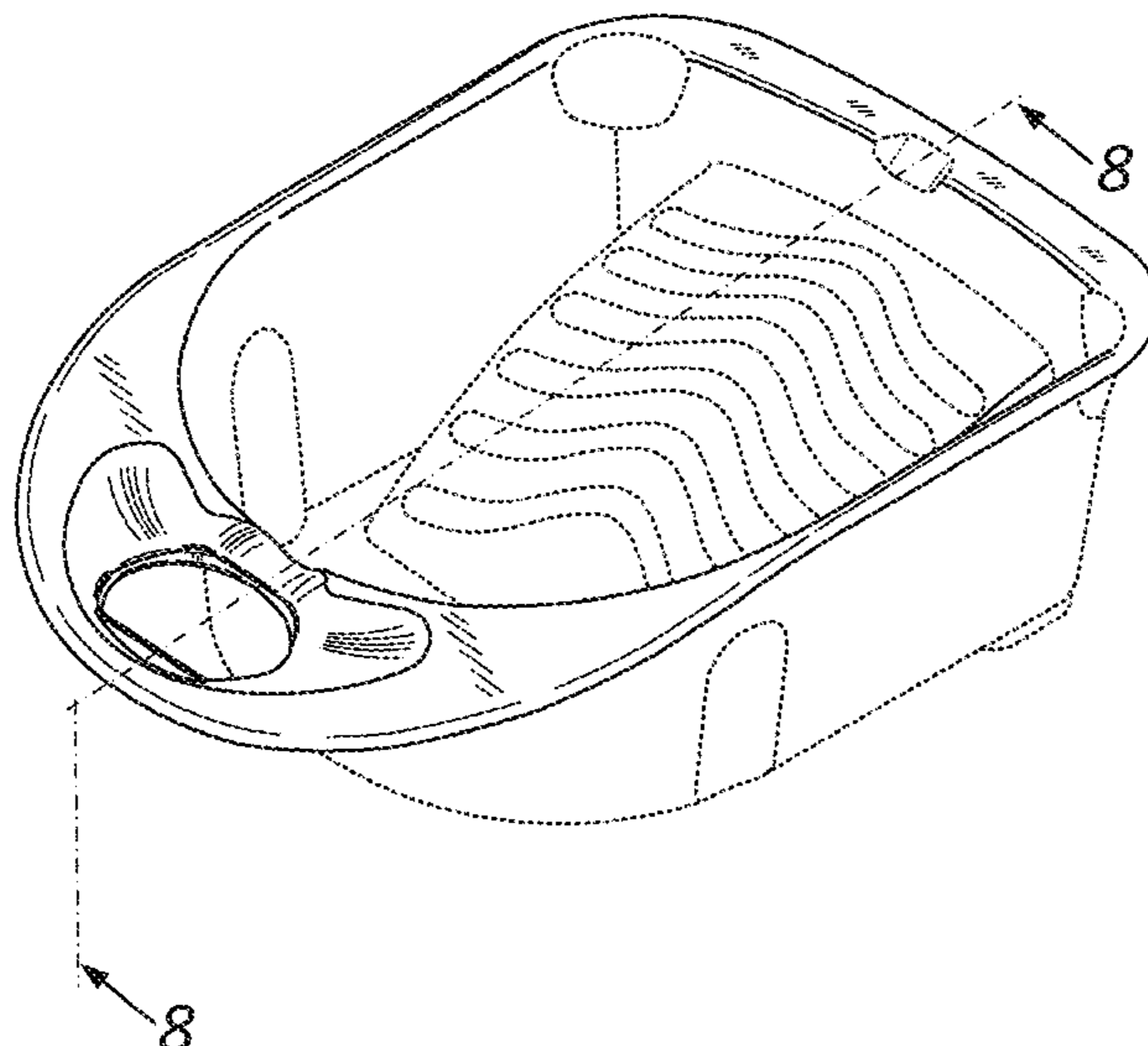
The ornamental design for a paint vessel, as shown and described.

**DESCRIPTION**

FIG. 1 is an isometric view of a paint vessel;  
FIG. 2 is a side view of the paint vessel of FIG. 1, as taken from the left side in FIG. 1;  
FIG. 3 is a side view of the paint vessel of FIG. 1, as taken from the right side in FIG. 1;  
FIG. 4 is a rear view of the paint vessel of FIG. 1;  
FIG. 5 is a front view of the paint vessel of FIG. 1;  
FIG. 6 is a top view of the paint vessel of FIG. 1;  
FIG. 7 is a bottom view of the paint vessel of FIG. 1; and,  
FIG. 8 is a sectional view, as taken along lines 8-8 in FIG. 1.

The broken lines in the drawings show portions of the paint vessel that form no part of the claimed design.

**1 Claim, 6 Drawing Sheets**



(56)

References Cited

U.S. PATENT DOCUMENTS

5,152,398 A \* 10/1992 Forestal ..... A47G 19/065  
206/561  
5,201,439 A \* 4/1993 Davies ..... B44D 3/126  
206/361  
D353,241 S \* 12/1994 Breen ..... D32/53  
D354,201 S \* 1/1995 Graaf, Jr. .... D7/553.1  
5,419,455 A \* 5/1995 Russeau ..... A47G 19/06  
206/562  
D373,052 S \* 8/1996 Di Biase ..... D7/553.6  
D373,933 S \* 9/1996 Gibbs, III ..... D7/546  
D376,297 S \* 12/1996 Jacobson ..... D7/549  
5,634,568 A \* 6/1997 Wawrzyniak ..... B44D 3/12  
220/510  
D435,728 S \* 1/2001 Miles ..... D3/304  
D444,604 S \* 7/2001 Hoffert ..... D32/53.1  
D460,845 S \* 7/2002 Bergman ..... D32/53.1  
D466,407 S \* 12/2002 Nance ..... D9/424  
D477,702 S \* 7/2003 Kohn ..... D32/53.1  
D482,830 S \* 11/2003 Kohn ..... D32/53.1  
D493,035 S \* 7/2004 Bergman ..... D3/304  
7,000,799 B1 \* 2/2006 Hamre ..... A47G 19/065  
220/23.8  
D526,748 S \* 8/2006 Van Skiver ..... D30/161  
D527,153 S \* 8/2006 Morad ..... D32/53  
7,191,913 B2 \* 3/2007 Byrne ..... B44D 3/121  
220/570  
D546,514 S \* 7/2007 Byrne ..... D32/53  
D549,913 S \* 8/2007 Bergman ..... D32/53  
D583,521 S \* 12/2008 Arvinte ..... D32/53.1  
D606,810 S \* 12/2009 Clark ..... D7/545  
D607,624 S \* 1/2010 Bergman ..... D32/54  
D612,119 S \* 3/2010 Bergman ..... D32/54  
D613,016 S \* 3/2010 Bergman ..... D32/54  
D617,517 S \* 6/2010 Bergman ..... D32/53.1  
D623,901 S \* 9/2010 Clark ..... D7/549  
D629,654 S \* 12/2010 Moon ..... D7/552.1  
D630,394 S \* 1/2011 Bergman ..... D32/54  
D645,627 S \* 9/2011 Arvinte ..... D32/53  
D668,412 S \* 10/2012 Bergman ..... D32/53.1  
8,286,825 B2 \* 10/2012 Billado, Jr. .... B44D 3/128  
220/773  
D673,339 S \* 12/2012 Bergman ..... D32/54  
D678,638 S \* 3/2013 Bergman ..... D32/54  
D690,482 S \* 9/2013 Bergman ..... D32/54  
D692,198 S \* 10/2013 Bergman ..... D32/54  
D697,281 S \* 1/2014 Bergman ..... D32/53.1  
D702,907 S \* 4/2014 Bergman ..... D32/54

D728,884 S \* 5/2015 Waffensmith ..... D32/54  
D761,511 S \* 7/2016 Malvasio ..... D32/53.1  
D762,033 S \* 7/2016 Gooden ..... D32/53  
9,545,815 B2 \* 1/2017 Kiceniuk ..... B44D 3/14  
D794,892 S \* 8/2017 Bergman ..... D32/53.1  
D796,140 S \* 8/2017 Bergman ..... D32/53.1  
D808,222 S \* 1/2018 Shames ..... D7/554.2  
D832,544 S \* 10/2018 Bergman ..... D32/53.1  
D836,875 S \* 12/2018 Bergman ..... D32/53.1  
D836,876 S \* 12/2018 Bergman ..... D32/53.1  
D838,072 S \* 1/2019 Bergman ..... D32/53.1  
D866,900 S \* 11/2019 Bergman ..... D32/53.1  
D867,707 S \* 11/2019 Bergman ..... D32/53.1  
D867,708 S \* 11/2019 Bergman ..... D32/53.1  
D887,660 S \* 6/2020 Bergman ..... D32/54  
10,829,272 B2 \* 11/2020 Bergman ..... B65D 25/2888  
2002/0036206 A1 \* 3/2002 Bergman ..... B05C 11/10  
220/754  
2004/0195248 A1 \* 10/2004 Garcia ..... B05C 17/0245  
220/570  
2004/0206761 A1 \* 10/2004 Frantz ..... B44D 3/126  
220/570  
2004/0262482 A1 \* 12/2004 Lim ..... A47G 19/06  
248/311.2  
2011/0259891 A1 \* 10/2011 Thibault ..... B44D 3/14  
220/495.06  
2016/0185155 A1 \* 6/2016 Bergman ..... B44D 3/128  
15/257.06  
2019/0077545 A1 \* 3/2019 Bergman ..... B65D 1/26  
2020/0276859 A1 \* 9/2020 Lambertson, Jr. .... B65D 25/32  
2021/0016930 A1 \* 1/2021 Bergman ..... B65D 25/30

OTHER PUBLICATIONS

One Stroke Palette, from archive.org (accessed Jul. 8, 2020) at URL: <https://web.archive.org/web/20150318220339/http://hofcraft.com/onestrokepaintingaccessories.htm>, dated Mar. 18, 2015.  
Snack Palette, from archive.org (accessed Jul. 8, 2020) at URL: <https://web.archive.org/web/20100101160016/http://www.snackpalette.com/>, dated Jan. 1, 2010.  
Tupperware Thatsa(r) Bowls, product information, dated Oct. 9, 2014.  
Pampered Chef Stainless Steel Mixing Bowl set, from archive.org (accessed Jul. 8, 2020) at URL: <https://web.archive.org/web/20160624103115/https://www.pamperedchef.com/shop/Cook%27s+Tools/Mixing+%26+Measuring/Stainless+Steel+Mixing+Bowl+Set/1735>, dated Jun. 24, 2016.

\* cited by examiner



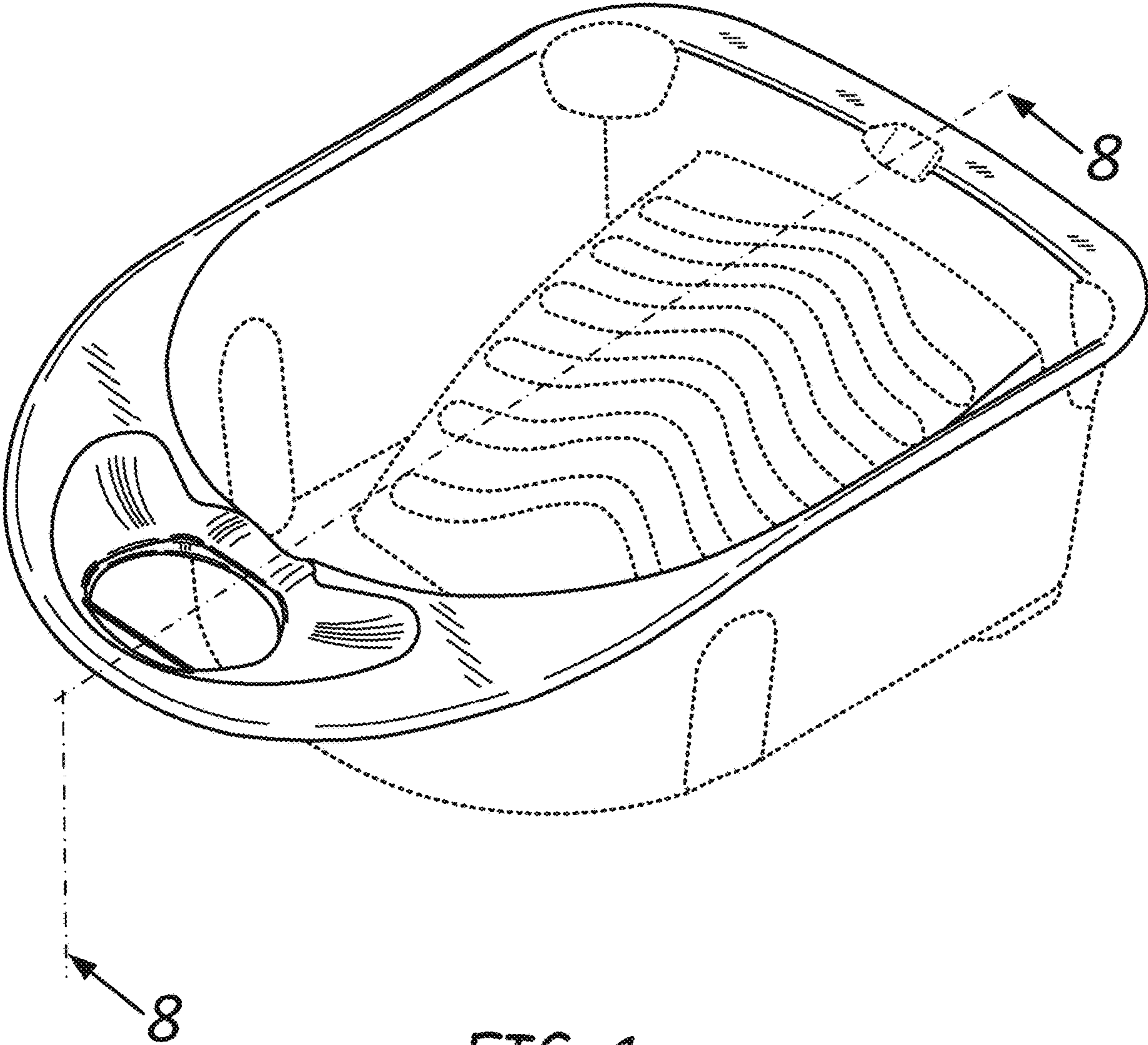


FIG. 1

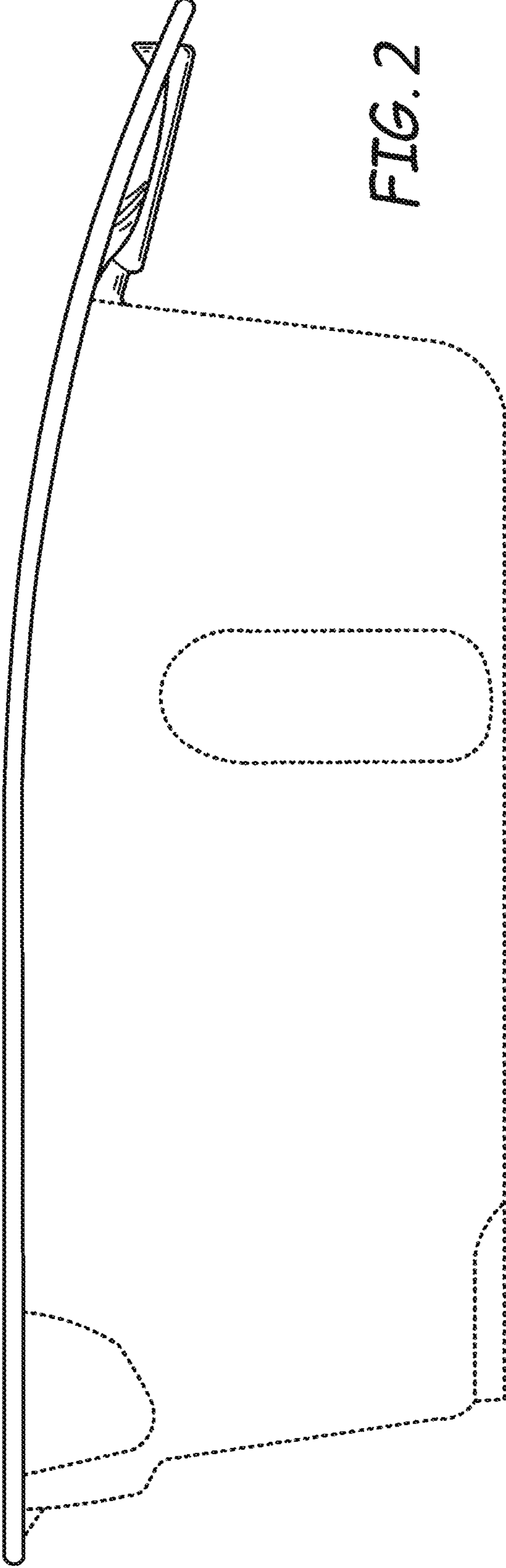


FIG. 2

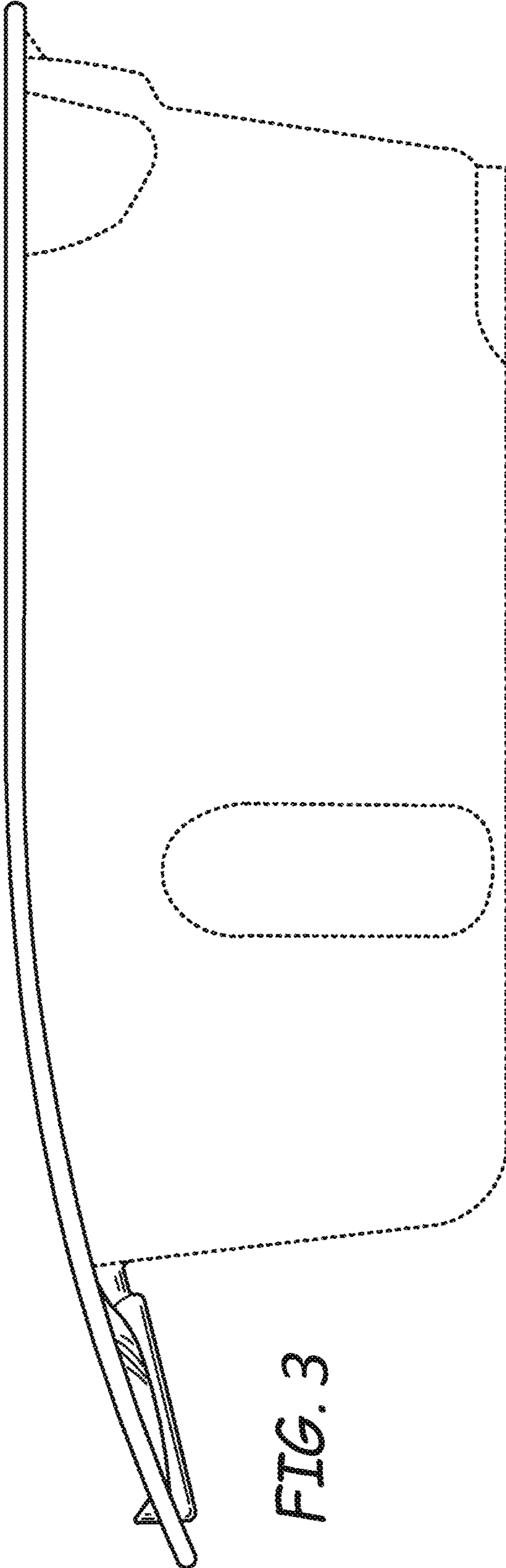


FIG. 3

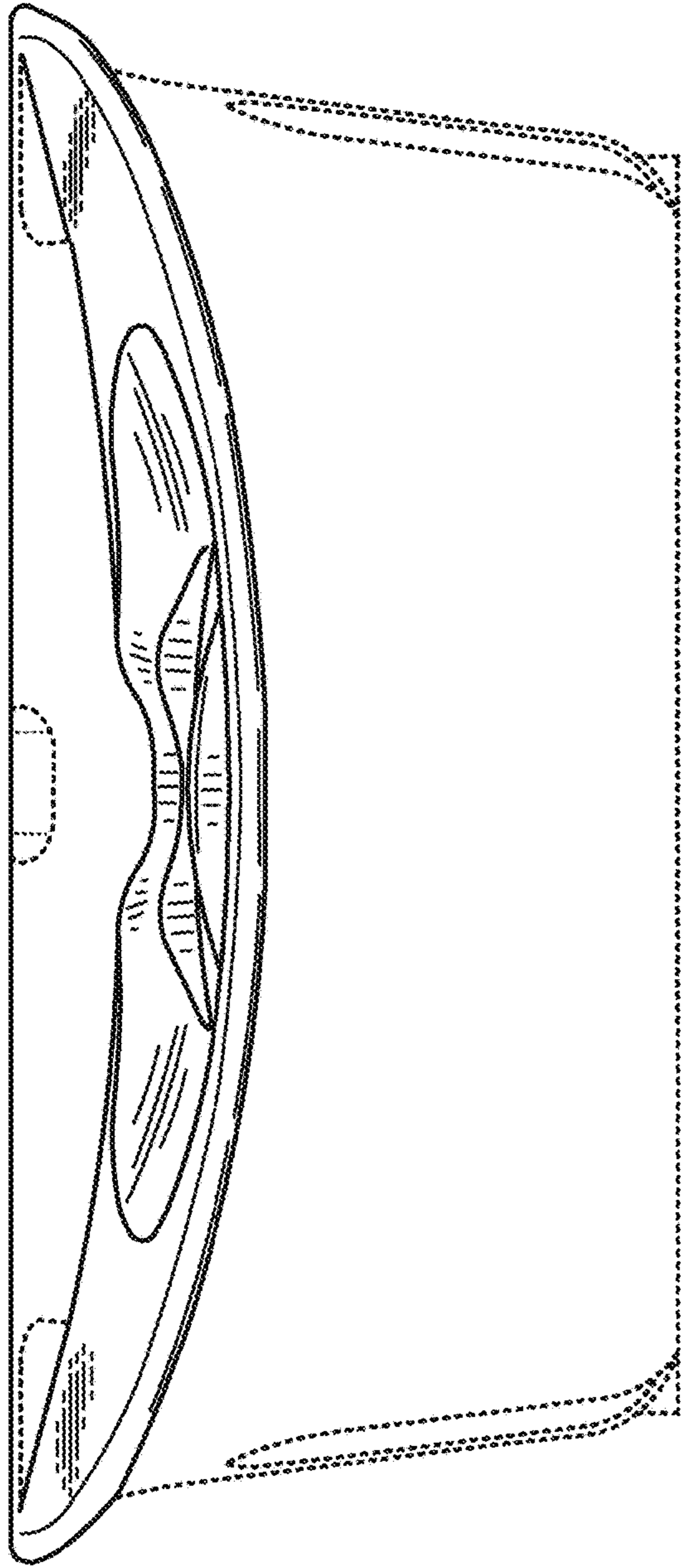


FIG. 4

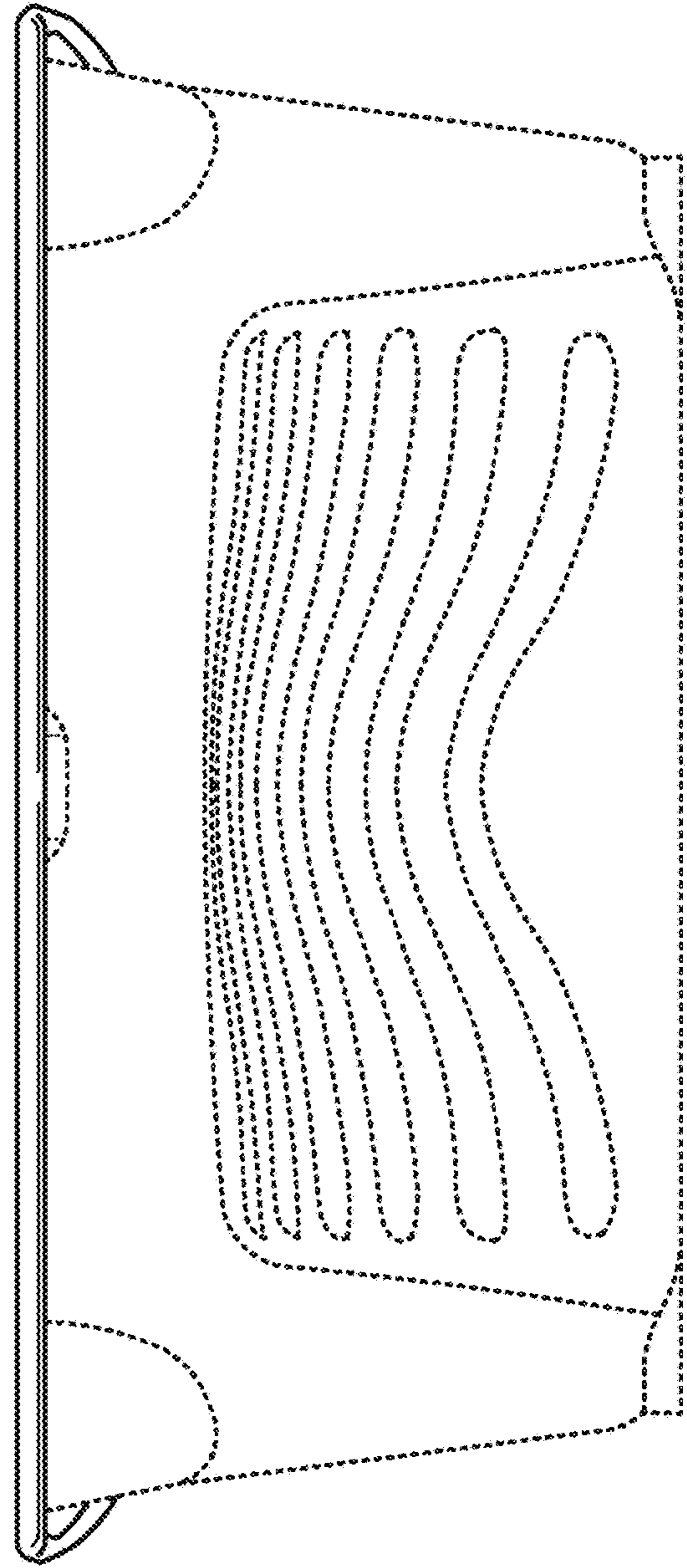


FIG. 5



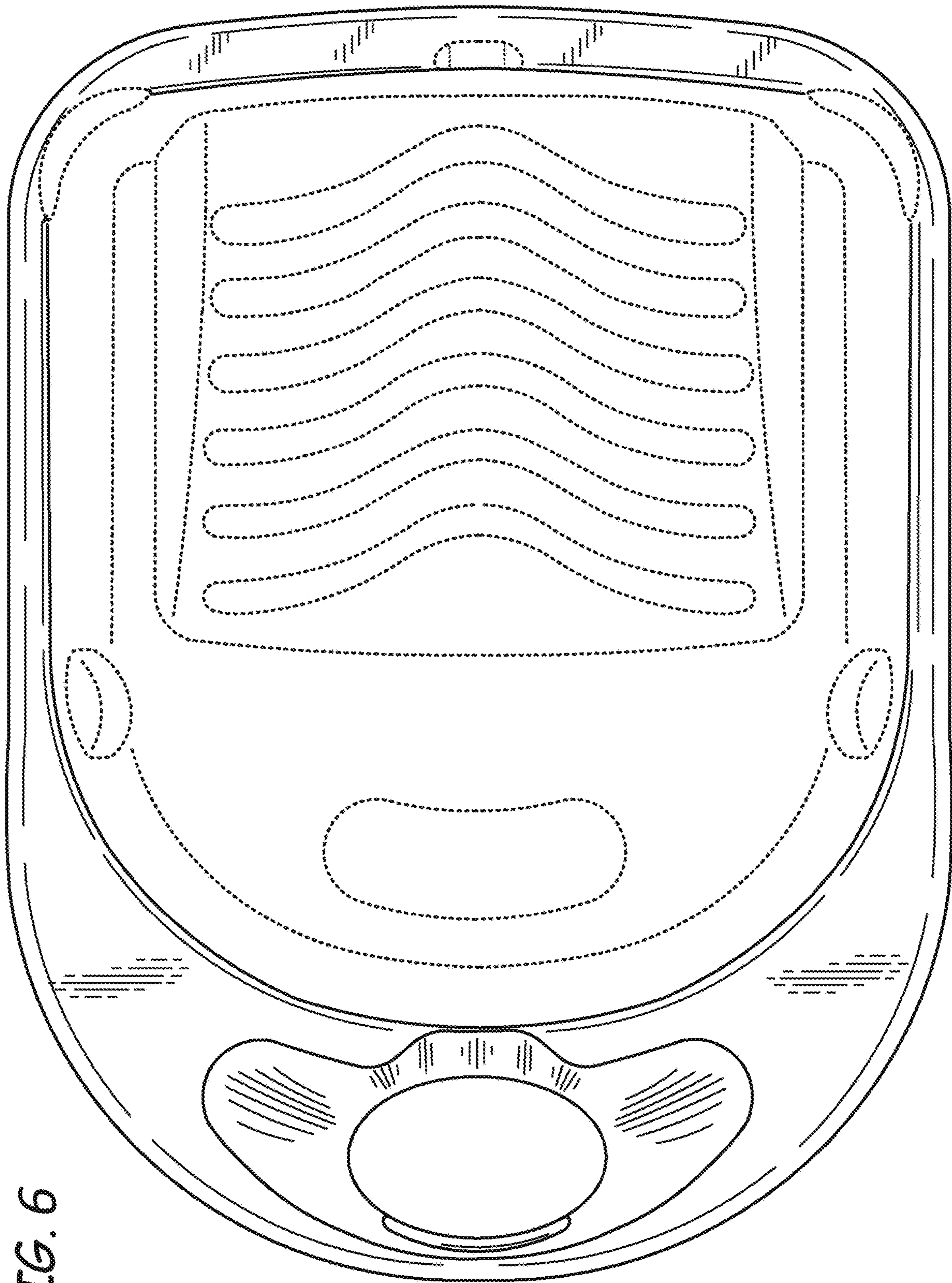


FIG. 6

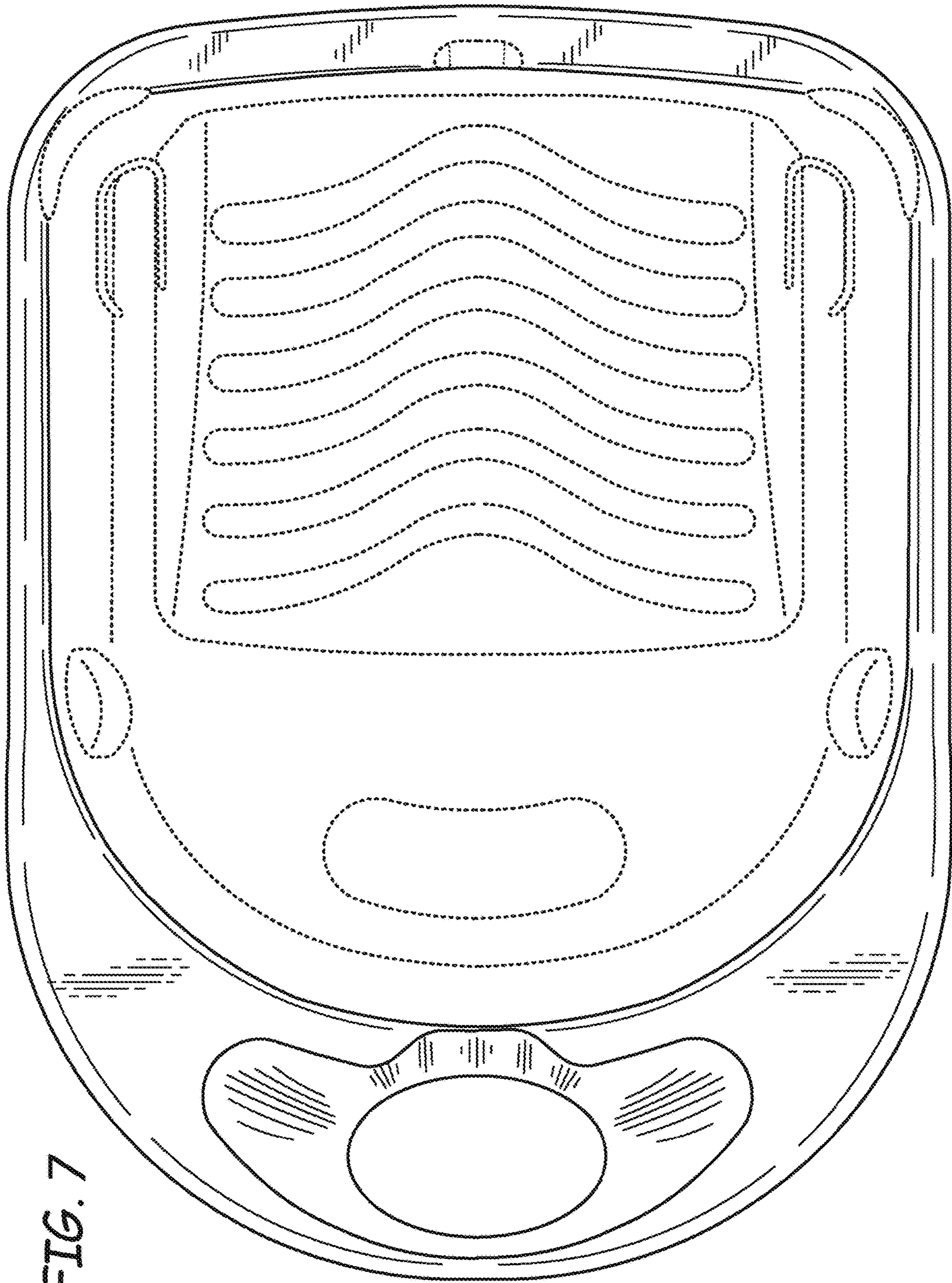


FIG. 7

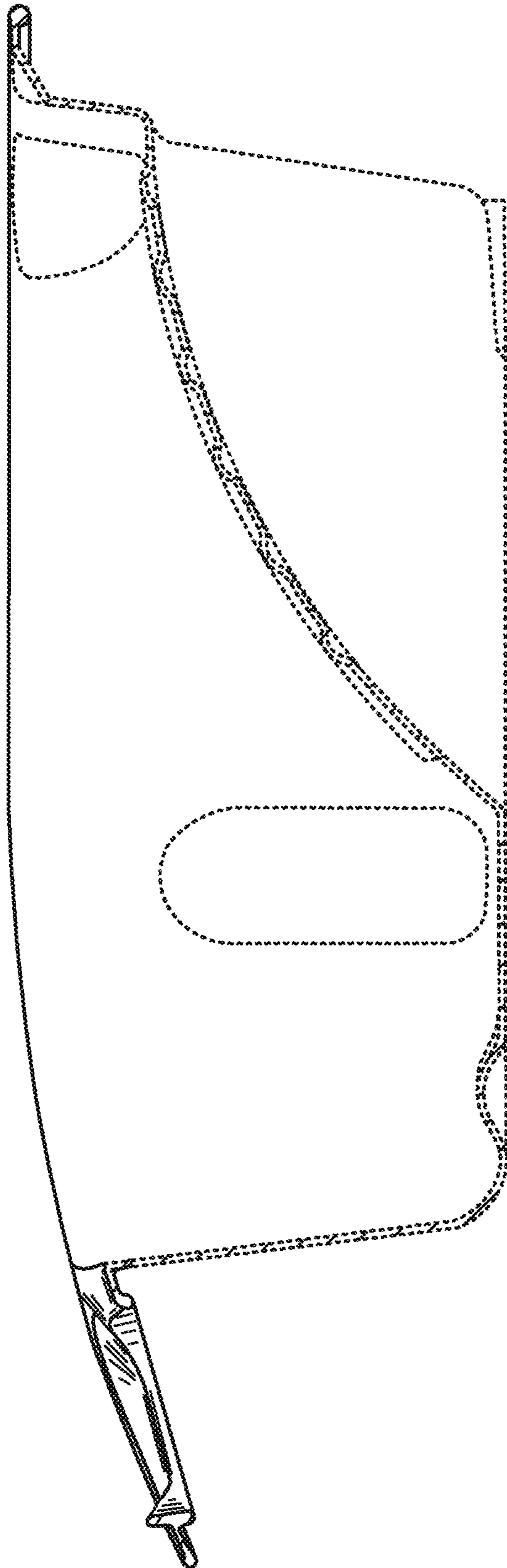


FIG. 8