



US00D940983S

(12) **United States Design Patent**
Bergman et al.

(10) **Patent No.:** **US D940,983 S**

(45) **Date of Patent:** **** *Jan. 11, 2022**

(54) **PAINT VESSEL**

4,927,046 A * 5/1990 Armstrong B44D 3/121
220/697

(71) Applicant: **Bercom International, LLC**,
Chanhasen, MN (US)

5,085,391 A * 2/1992 Berger A47G 19/06
220/23.83

(72) Inventors: **Mark W. Bergman**, Minnetonka, MN
(US); **Jeffrey T. Given**, St. Paul, MN
(US); **Matthew V. Leyden**, St. Paul,
MN (US); **Jeffrey B. Waffensmith**,
North Oaks, MN (US)

5,111,960 A * 5/1992 Zilliox A47G 19/23
220/23.4

(Continued)

(73) Assignee: **Bercom International, LLC**,
Chanhasen, MN (US)

OTHER PUBLICATIONS

Handy 5500-CC Handy Paint Grid posted to amazon.com. Available
date: Dec. 4, 2014 [site visited May 25, 2021] Available: <<https://www.amazon.com/HANDY-5500-CC-Handy-Paint-Grid/dp/B00QKUZHKC>> (Year: 2014).*

(*) Notice: This patent is subject to a terminal dis-
claimer.

(Continued)

(**) Term: **15 Years**

Primary Examiner — Kevin K Rudzinski

(21) Appl. No.: **29/711,213**

(74) *Attorney, Agent, or Firm* — Westman, Champlin &
Koehler, PA

(22) Filed: **Oct. 29, 2019**

(57) **CLAIM**

Related U.S. Application Data

The ornamental design for a paint vessel, as shown and
described.

(62) Division of application No. 29/670,507, filed on Nov.
16, 2018, now Pat. No. Des. 866,900, which is a
division of application No. 29/617,471, filed on Sep.
14, 2017, now Pat. No. Des. 836,875.

DESCRIPTION

(51) **LOC (13) Cl.** **07-05**

(52) **U.S. Cl.**
USPC **D32/53.1**

(58) **Field of Classification Search**
USPC D32/53, 53.1, 54; D3/304
CPC B44D 3/121; B44D 3/126
See application file for complete search history.

FIG. 1 is an isometric view of a paint vessel;
FIG. 2 is a side view of the paint vessel of FIG. 1, as taken
from the left side in FIG. 1;
FIG. 3 is a side view of the paint vessel of FIG. 1, as taken
from the right side in FIG. 1;
FIG. 4 is a rear view of the paint vessel of FIG. 1;
FIG. 5 is a front view of the paint vessel of FIG. 1;
FIG. 6 is a top view of the paint vessel of FIG. 1;
FIG. 7 is a bottom view of the paint vessel of FIG. 1; and,
FIG. 8 is a sectional view, as taken along lines 8-8 in FIG.
1.

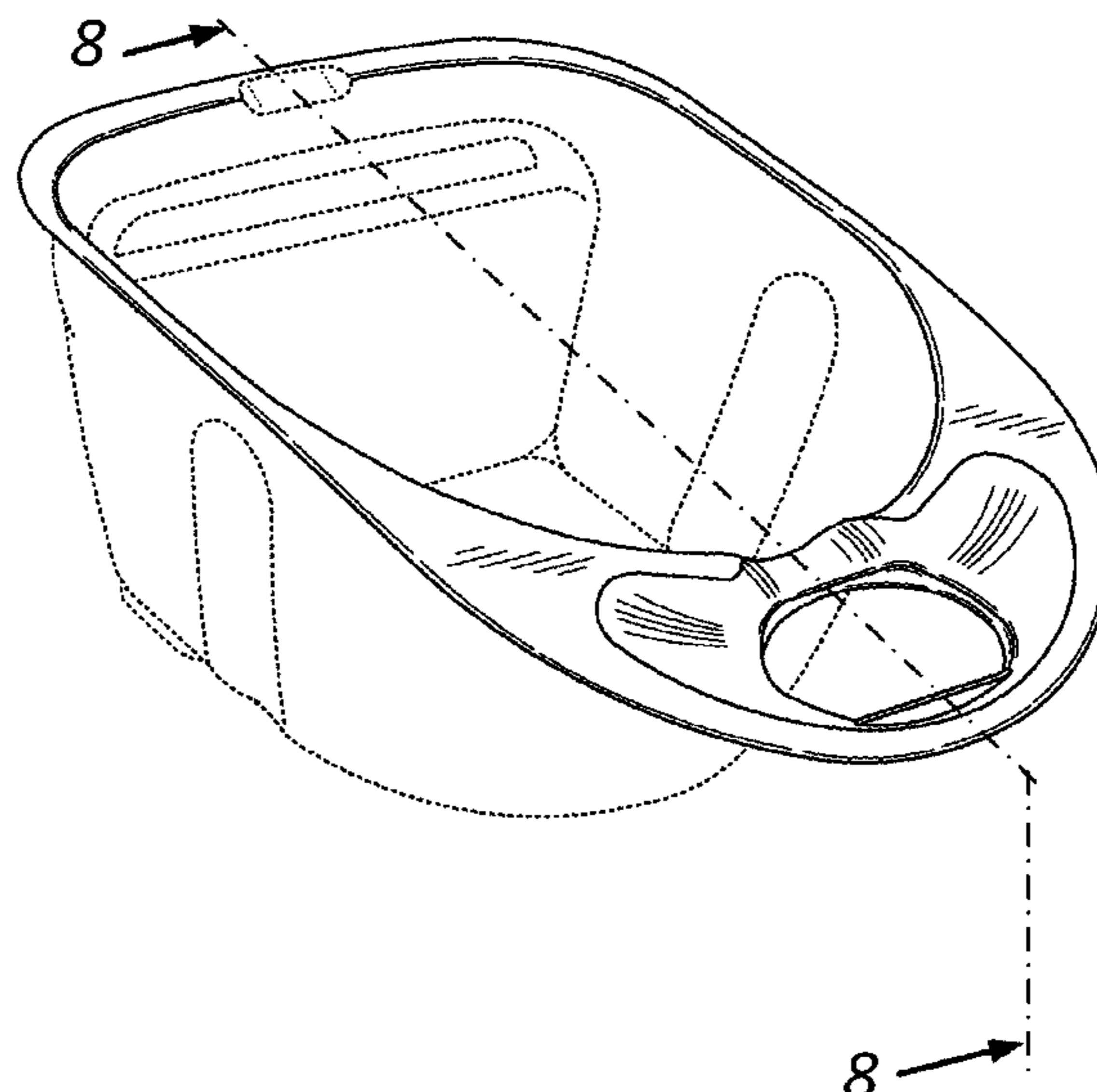
(56) **References Cited**

U.S. PATENT DOCUMENTS

3,419,196 A * 12/1968 Moore B65D 1/22
222/465.1
4,516,685 A * 5/1985 French A47G 19/06
206/563

The broken lines in the drawings show portions of the paint
vessel that form no part of the claimed design.

1 Claim, 6 Drawing Sheets



(56)

References Cited

U.S. PATENT DOCUMENTS

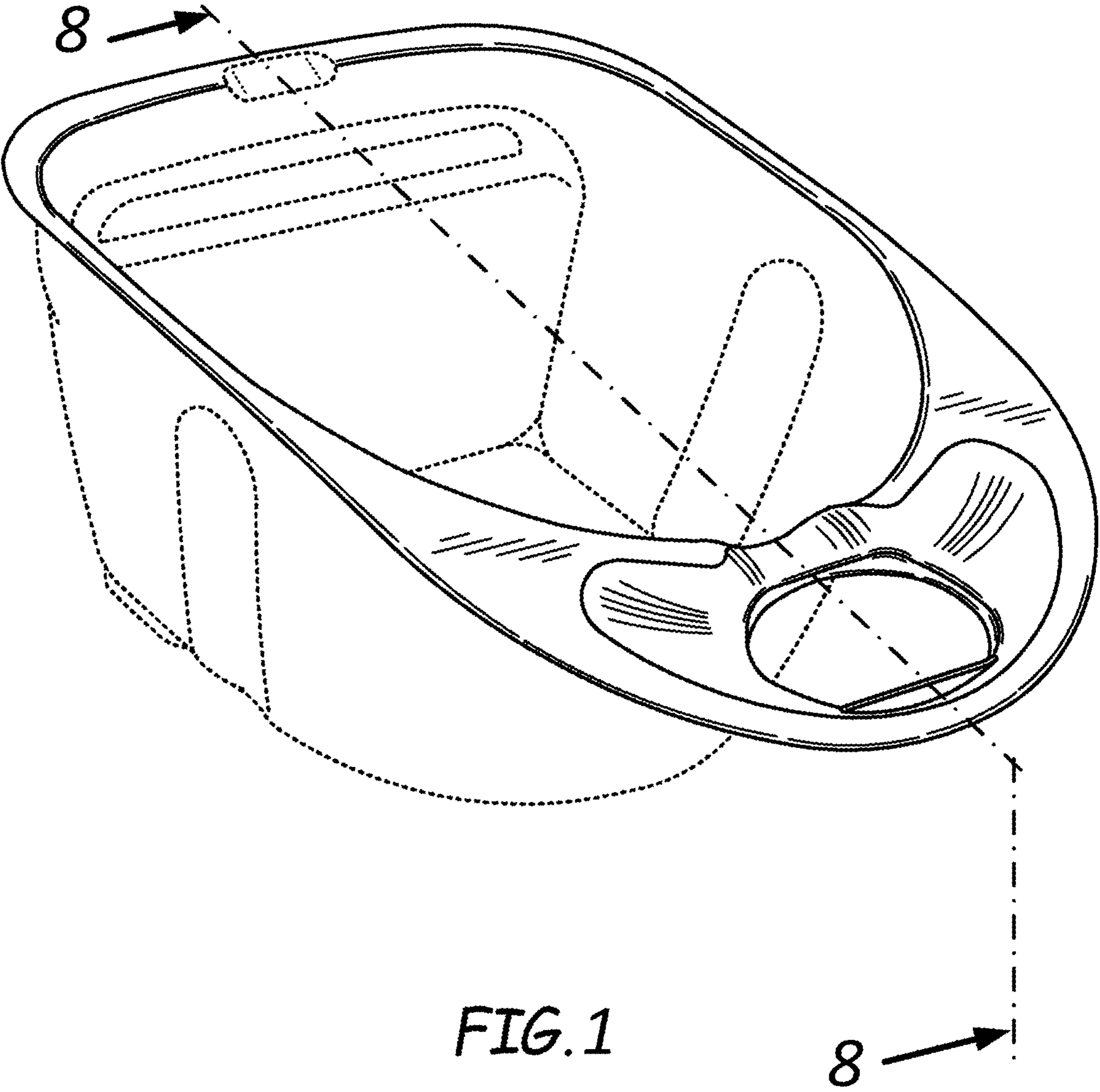
5,152,398 A * 10/1992 Forestal A47G 19/065
206/561
5,201,439 A * 4/1993 Davies B44D 3/126
206/361
D353,241 S * 12/1994 Breen D32/53
D354,201 S * 1/1995 van de Graaf, Jr. D7/553.1
5,419,455 A * 5/1995 Russeau A47G 19/06
206/562
D373,052 S * 8/1996 Di Biase D7/553.6
D373,933 S * 9/1996 Gibbs, III D7/546
D376,297 S * 12/1996 Jacobson D7/549
5,634,568 A * 6/1997 Wawrzyniak B44D 3/12
220/510
D435,728 S * 1/2001 Miles D3/304
D444,604 S * 7/2001 Hoffert D32/53.1
D460,845 S * 7/2002 Bergman D32/53.1
D466,407 S * 12/2002 Nance D9/424
D477,702 S * 7/2003 Kohn D32/53.1
D482,830 S * 11/2003 Kohn D32/53.1
D493,035 S * 7/2004 Bergman D3/304
7,000,799 B1 * 2/2006 Hamre A47G 19/065
220/23.8
D526,748 S * 8/2006 Van Skiver D30/161
D527,153 S * 8/2006 Morad D32/53
7,191,913 B2 * 3/2007 Byrne B44D 3/121
220/570
D546,514 S * 7/2007 Byrne D32/53
D549,913 S * 8/2007 Bergman D32/53
D583,521 S * 12/2008 Arvinte D32/53.1
D606,810 S * 12/2009 Clark D7/545
D607,624 S * 1/2010 Bergman D32/54
D612,119 S * 3/2010 Bergman D32/54
D613,016 S * 3/2010 Bergman D32/54
D617,517 S * 6/2010 Bergman D32/53.1
D623,901 S * 9/2010 Clark D7/549
D629,654 S * 12/2010 Moon D7/552.1
D630,394 S * 1/2011 Bergman D32/54
D645,627 S * 9/2011 Arvinte D32/53
D668,412 S * 10/2012 Bergman D32/53.1
8,286,825 B2 * 10/2012 Billado, Jr. B44D 3/128
220/773
D673,339 S * 12/2012 Bergman D32/54
D678,638 S * 3/2013 Bergman D32/54
D690,482 S * 9/2013 Bergman D32/54
D692,198 S * 10/2013 Bergman D32/54
D697,281 S * 1/2014 Bergman D32/53.1
D702,907 S * 4/2014 Bergman D32/54

D728,884 S * 5/2015 Waffensmith D32/54
D761,511 S * 7/2016 Malvasio D32/53.1
D762,033 S * 7/2016 Gooden D32/53
9,545,815 B2 * 1/2017 Kiceniuk B44D 3/14
D794,892 S * 8/2017 Bergman D32/53.1
D796,140 S * 8/2017 Bergman D32/53.1
D808,222 S * 1/2018 Shames D7/554.2
D832,544 S * 10/2018 Bergman D32/53.1
D836,875 S * 12/2018 Bergman D32/53.1
D836,876 S * 12/2018 Bergman D32/53.1
D838,072 S * 1/2019 Bergman D32/53.1
D866,900 S * 11/2019 Bergman D32/53.1
D867,707 S * 11/2019 Bergman D32/53.1
D867,708 S * 11/2019 Bergman D32/53.1
D887,660 S * 6/2020 Bergman D32/54
10,829,272 B2 * 11/2020 Bergman B65D 25/2888
2002/0036206 A1 * 3/2002 Bergman B05C 11/10
220/754
2004/0195248 A1 * 10/2004 Garcia B05C 17/0245
220/570
2004/0206761 A1 * 10/2004 Frantz B44D 3/126
220/570
2004/0262482 A1 * 12/2004 Lim A47G 19/06
248/311.2
2011/0259891 A1 * 10/2011 Thibault B44D 3/14
220/495.06
2016/0185155 A1 * 6/2016 Bergman B44D 3/128
15/257.06
2019/0077545 A1 * 3/2019 Bergman B65D 1/26
2020/0276859 A1 * 9/2020 Lambertson, Jr. B65D 25/32
2021/0016930 A1 * 1/2021 Bergman B65D 25/30

OTHER PUBLICATIONS

One Stroke Palette, from archive.org (accessed Jul. 8, 2020) at URL: <https://web.archive.org/web/20150318220339/http://hofcraft.com/onestrokepaintingaccessories.htm>, dated Mar. 18, 2015.
Snack Palette, from archive.org (accessed Jul. 8, 2020) at URL: <https://web.archive.org/web/20100101160016/http://www.snackpalette.com/>, dated Jan. 1, 2010.
Tupperware Thatsa(r) Bowls, product information, dated Oct. 9, 2014.
Pampered Chef Stainless Steel Mixing Bowl set, from archive.org (accessed Jul. 8, 2020) at URL: <https://web.archive.org/web/20160624103115/https://www.pamperedchef.com/shop/Cook%27s+Tools/Mixing+%26+Measuring/Stainless+Steel+Mixing+Bowl+Set/1735>, dated Jun. 24, 2016.

* cited by examiner



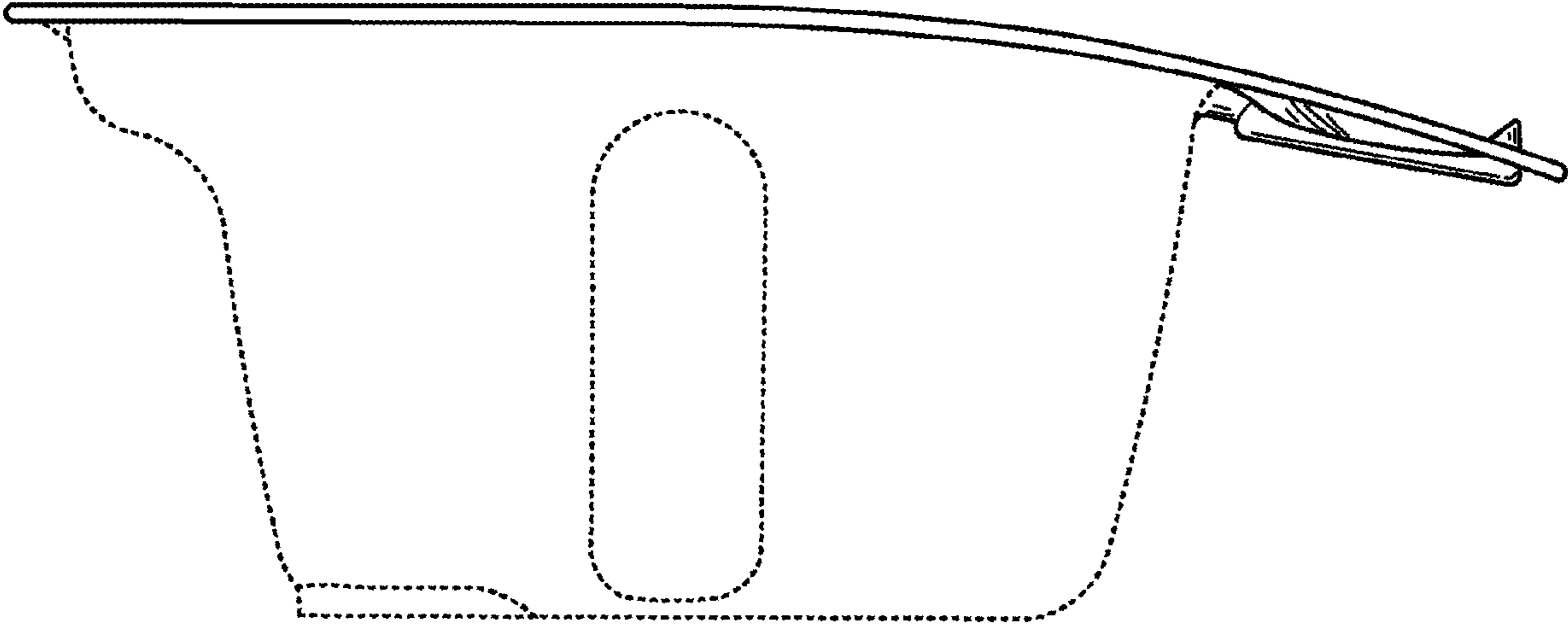


FIG. 2

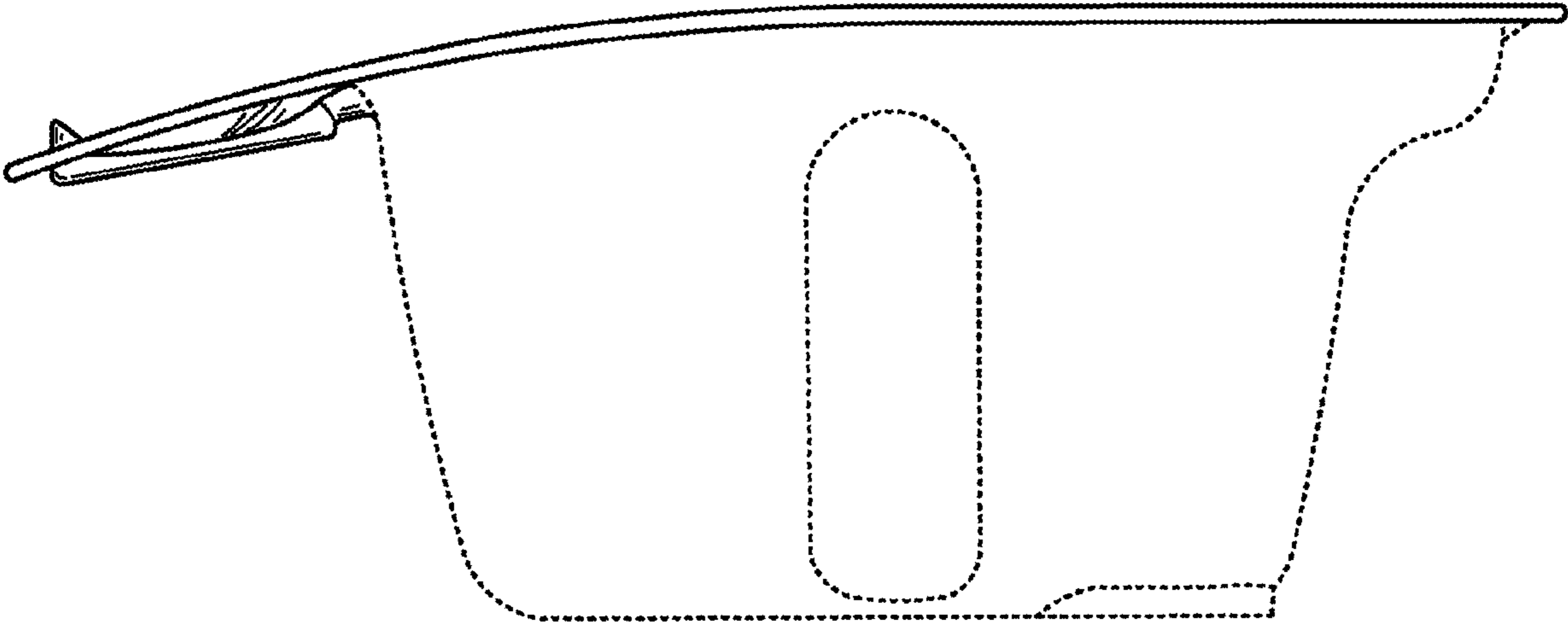


FIG. 3

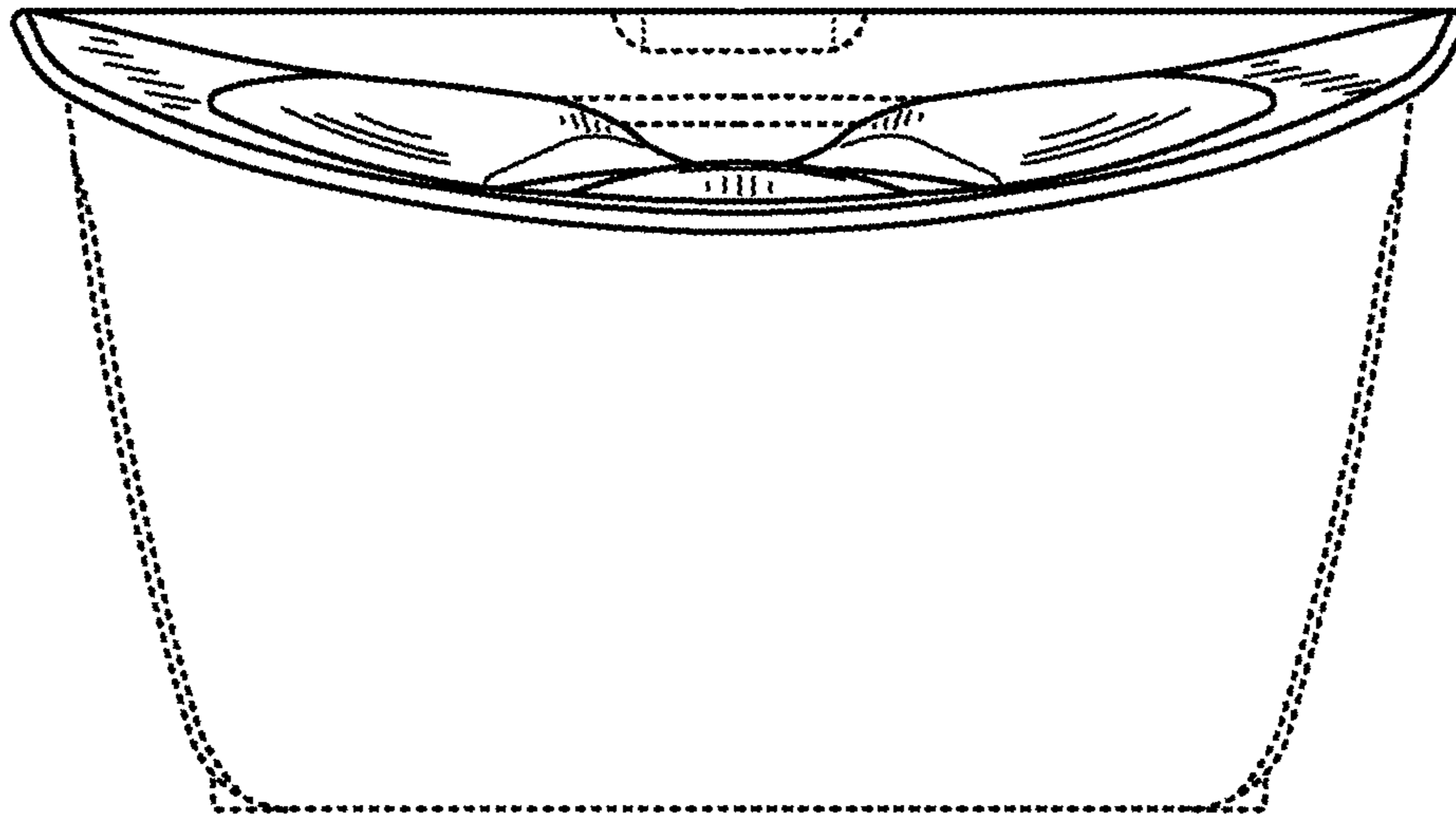


FIG. 4

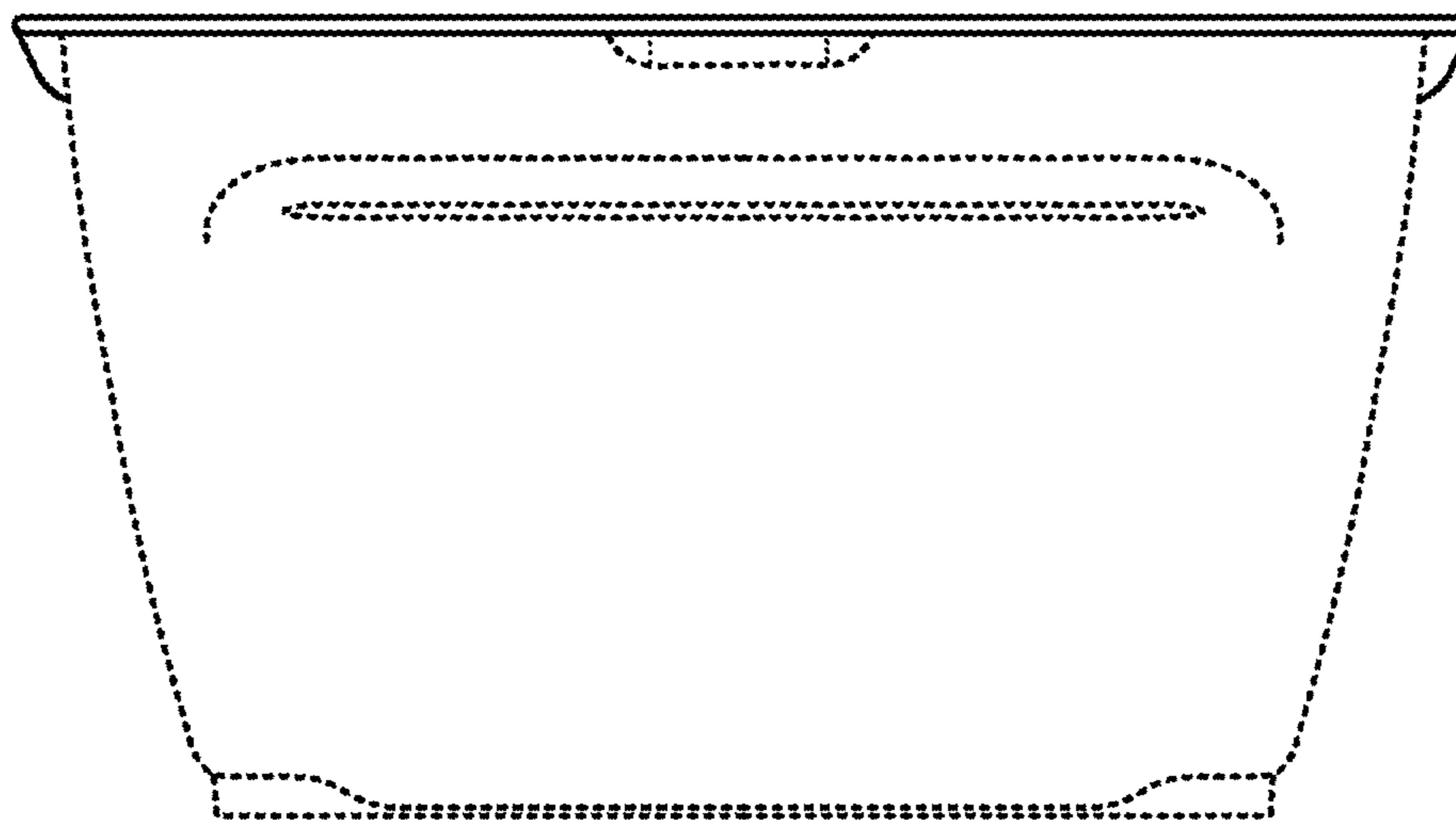


FIG. 5

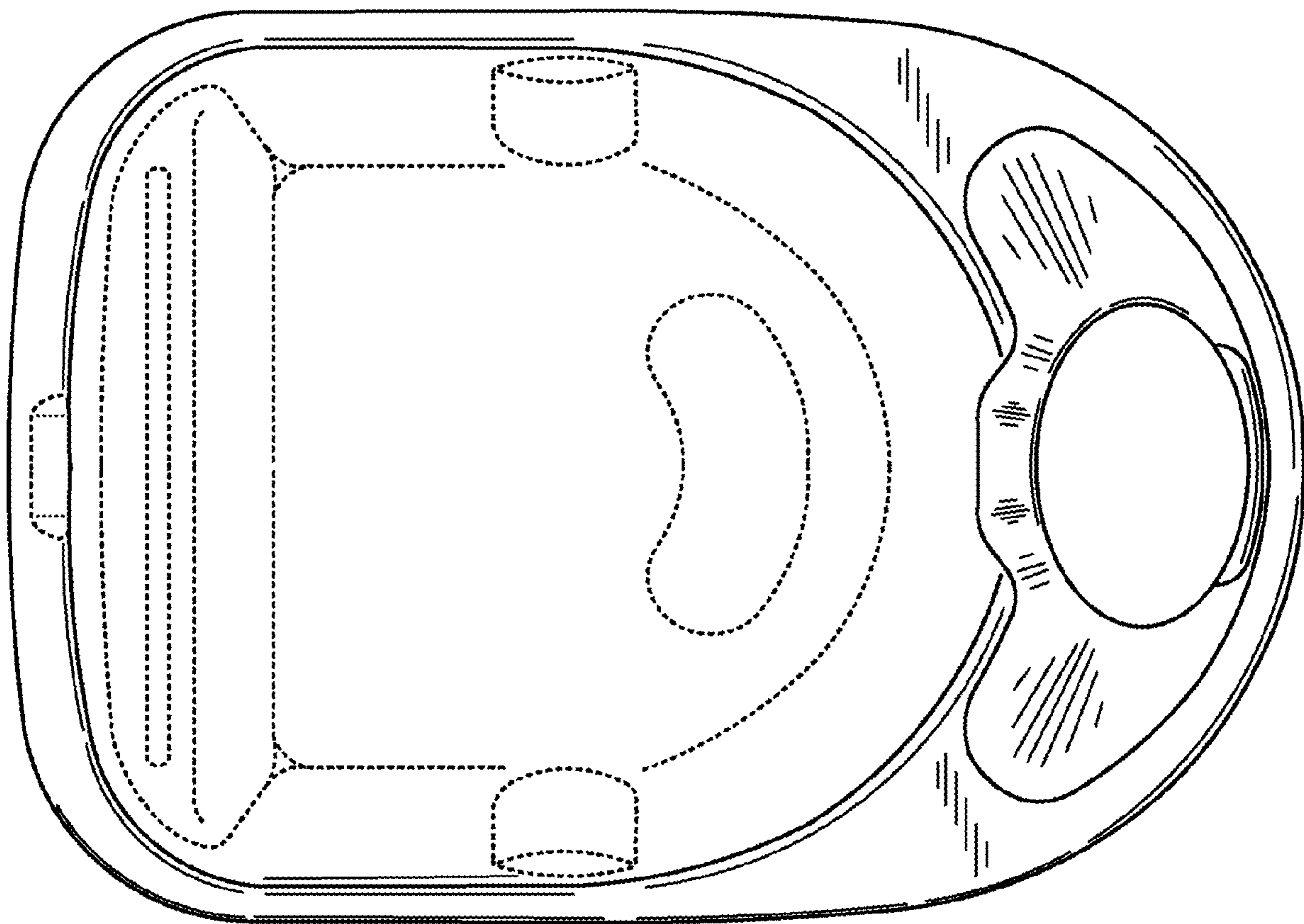


FIG. 6

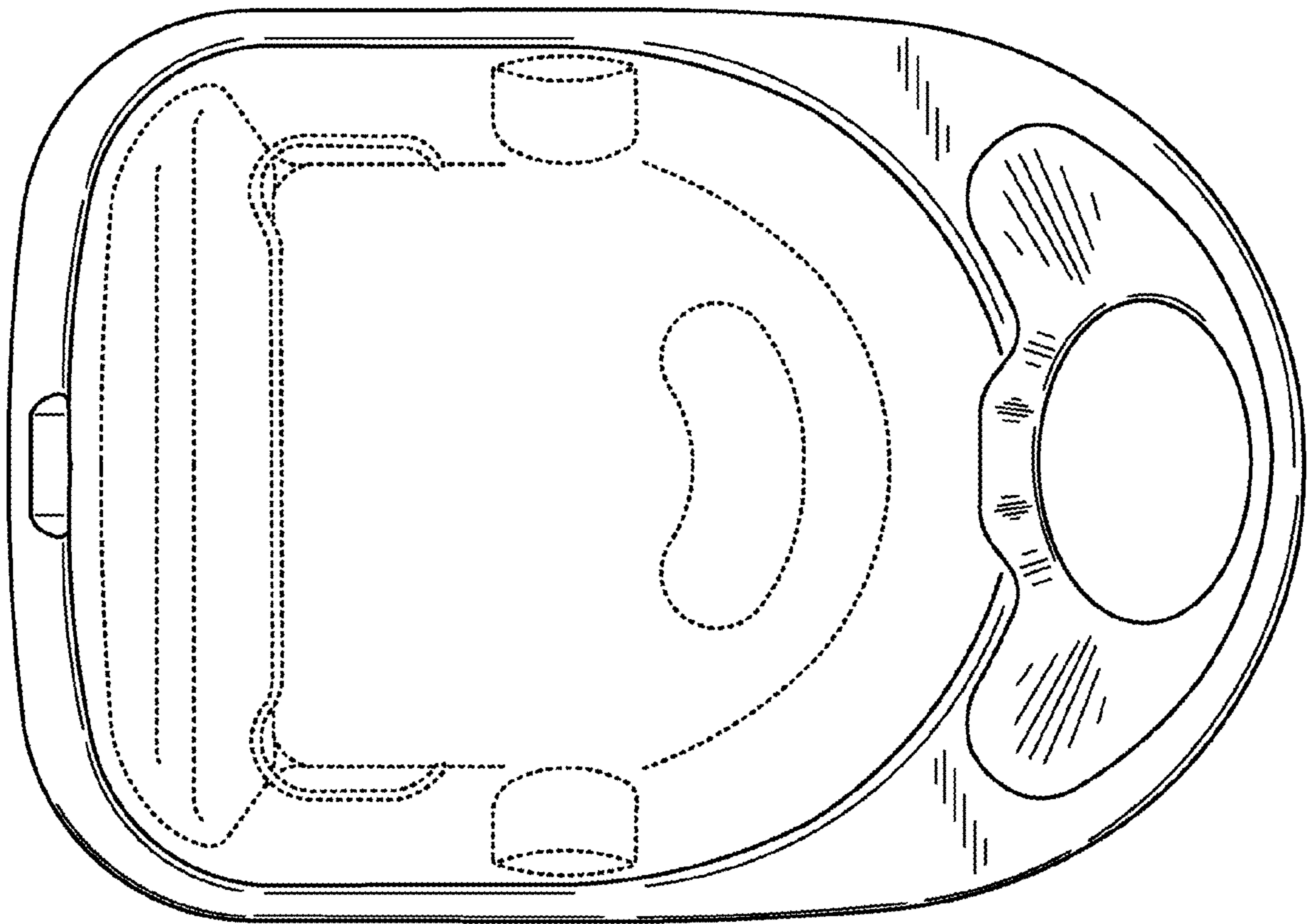


FIG. 7

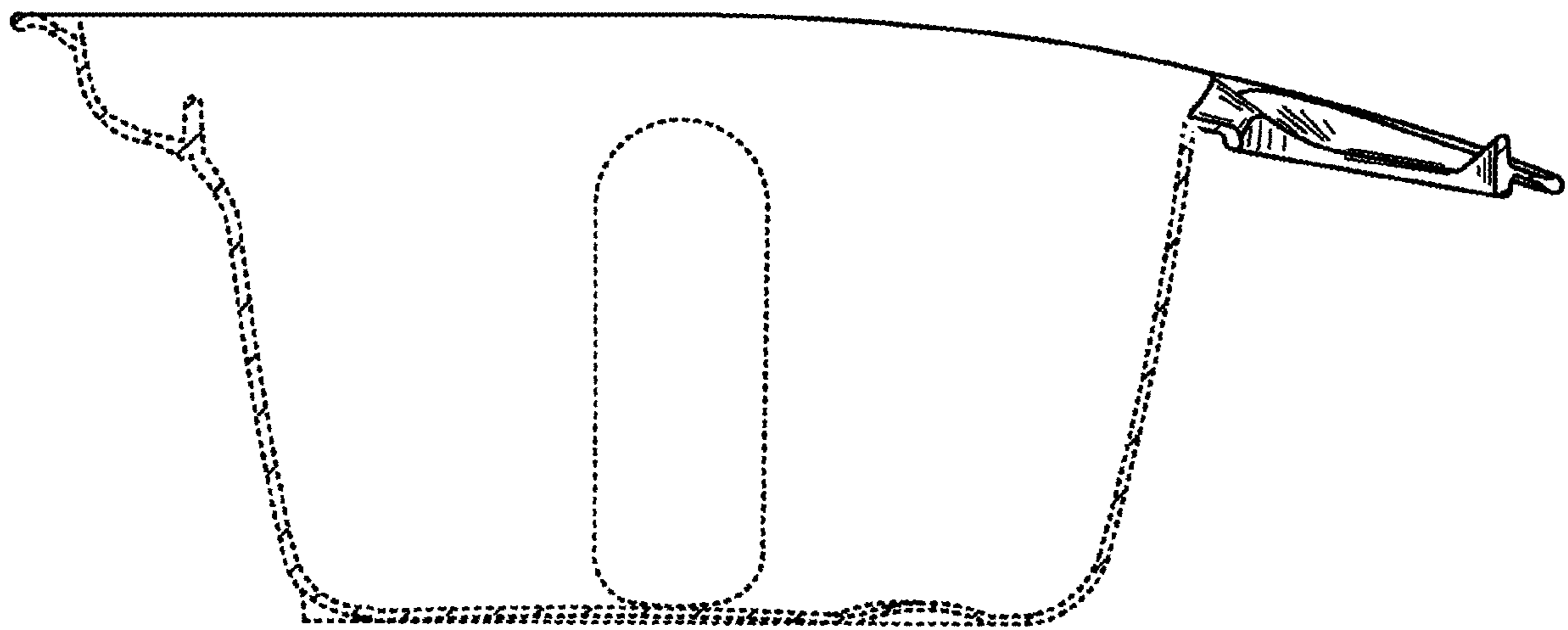


FIG. 8