



US00D940981S

(12) **United States Design Patent** (10) **Patent No.:** **US D940,981 S**
Liu (45) **Date of Patent:** **** Jan. 11, 2022**

(54) **GRILL BRUSH HANDLE**
(71) Applicant: **Guixing Liu**, Guangdong (CN)
(72) Inventor: **Guixing Liu**, Guangdong (CN)
(73) Assignee: **Yangjiang Jiangcheng Xuanxuan Manufacture LLC.**, Guangdong (CN)
(**) Term: **15 Years**
(21) Appl. No.: **29/715,297**
(22) Filed: **Nov. 30, 2019**
(51) **LOC (13) Cl.** **07-05**
(52) **U.S. Cl.**
USPC **D32/46; D4/138**
(58) **Field of Classification Search**
USPC D32/30-33, 40-43, 46-52; D7/670, 697;
D8/45, 107; D4/138, 118-120, 129-131
CPC . A47L 13/02; A47L 13/08; A47L 9/06; A46B
7/04; B25G 1/00; B25G 1/01
See application file for complete search history.

(56) **References Cited**

U.S. PATENT DOCUMENTS

D200,457 S * 2/1965 Sasmor D4/121
D264,543 S * 5/1982 Ashley D32/49
D280,036 S * 8/1985 Ulman D32/47
D341,200 S * 11/1993 Yoshimoto D24/133
D377,699 S * 1/1997 McLaughlin D32/46
D377,745 S * 2/1997 Laun D8/107
D391,815 S * 3/1998 Venezio D32/49
5,794,303 A * 8/1998 Sanfilippo A47L 5/26
15/339
D416,777 S * 11/1999 Swenson, Sr. D8/107
D420,806 S * 2/2000 Ayissi D4/108
D439,415 S * 3/2001 Mink D4/121
D452,994 S * 1/2002 Mink D4/138
D462,588 S * 9/2002 Kisby D21/679
D699,533 S * 2/2014 Best D8/45
D789,636 S * 6/2017 Gonzalez D32/50
D832,594 S * 11/2018 Friend D4/138

D841,176 S * 2/2019 Gaquiere D24/211
D864,511 S * 10/2019 Harrington D32/50
D866,985 S * 11/2019 Zemel D4/120
10,611,014 B2 * 4/2020 Lazarov B25G 3/00
RE48,036 E * 6/2020 Bast B25G 1/00
D8/107
D915,172 S * 4/2021 Korbuly D8/107
D915,862 S * 4/2021 Korbuly D8/107
D923,893 S * 6/2021 Tung D32/46
D925,233 S * 7/2021 Harris D4/118
D927,195 S * 8/2021 Wei D4/121

(Continued)

FOREIGN PATENT DOCUMENTS

DE MR200100837-0001 * 9/2001

OTHER PUBLICATIONS

Amazon.com : Cuisinart Grill Cleaning Brush, site visited 2021,
<https://www.amazon.com/Cuisinart-CCB-5014-Stainless-Steel-Cleaning/dp/B00B58A30> . . . *

Primary Examiner — John R Yeh

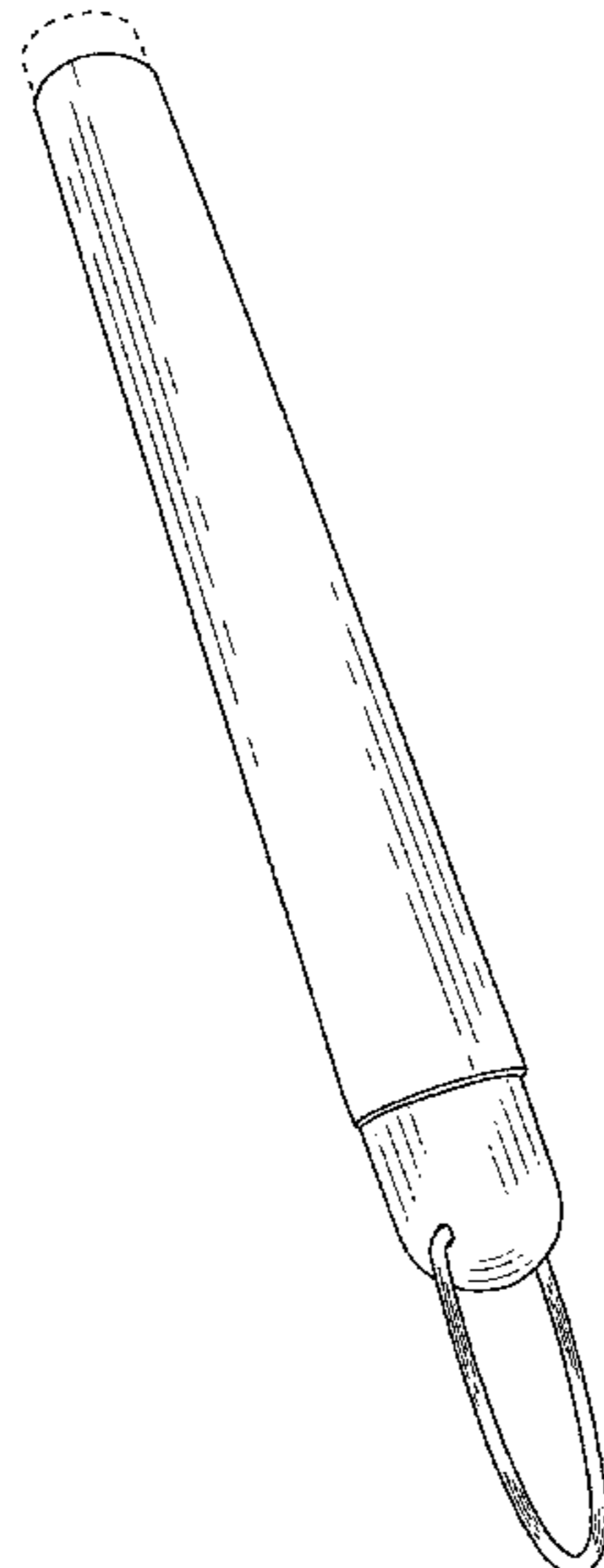
(57) **CLAIM**

The ornamental design for a grill brush handle, as shown and described.

DESCRIPTION

FIG. 1 is a perspective view of a grill brush handle showing my new design;
FIG. 2 is a front elevational view thereof;
FIG. 3 is a rear elevational view thereof;
FIG. 4 is a left side elevational view thereof;
FIG. 5 is a right side elevational view thereof;
FIG. 6 is a top plan view thereof; and,
FIG. 7 is a bottom plan view thereof.
The broken lines in the drawings depict portions of the grill brush handle that form no part of the claim.

1 Claim, 7 Drawing Sheets



(56)

References Cited

U.S. PATENT DOCUMENTS

2003/0145406 A1* 8/2003 Wang A46B 7/04
15/176.1
2004/0163501 A1* 8/2004 Chen B25G 1/066
81/177.1
2010/0282035 A1* 11/2010 Wang B25G 3/10
81/489
2016/0236339 A1* 8/2016 Flaherty B25G 1/01
2017/0297190 A1* 10/2017 Rampton A47L 13/12
2018/0071790 A1* 3/2018 Shereck A46B 5/0012

* cited by examiner

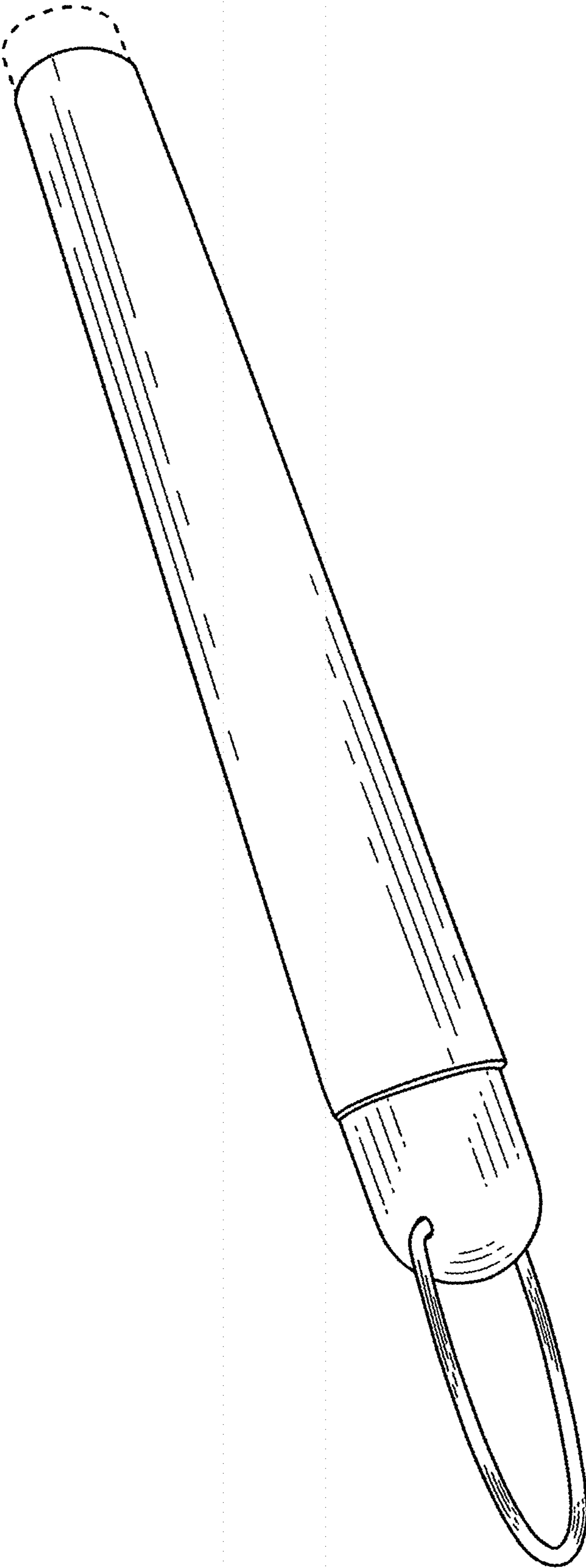


FIG. 1

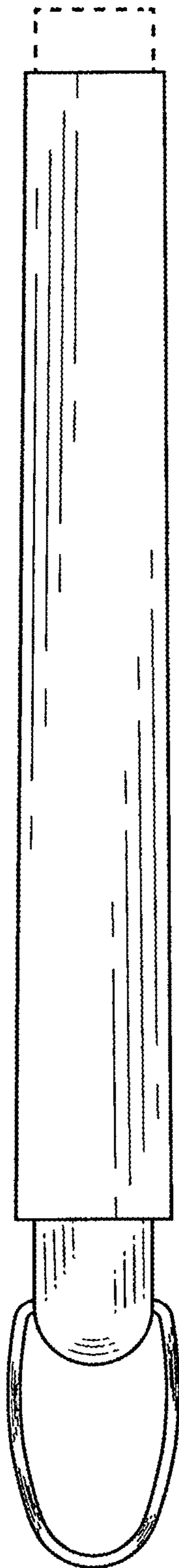


FIG. 2

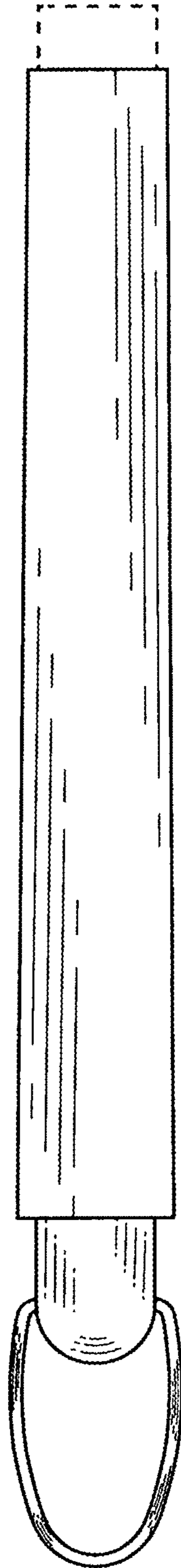


FIG. 3

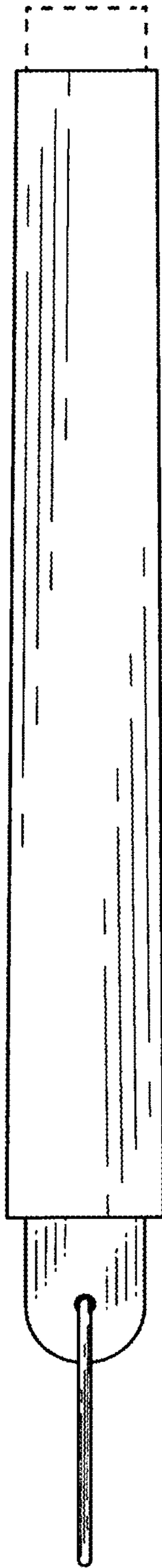


FIG. 4

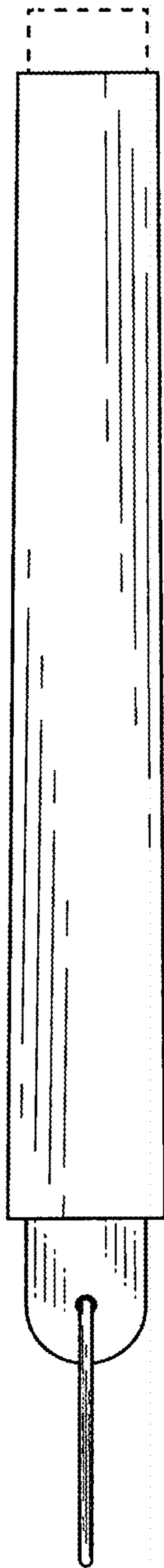


FIG. 5

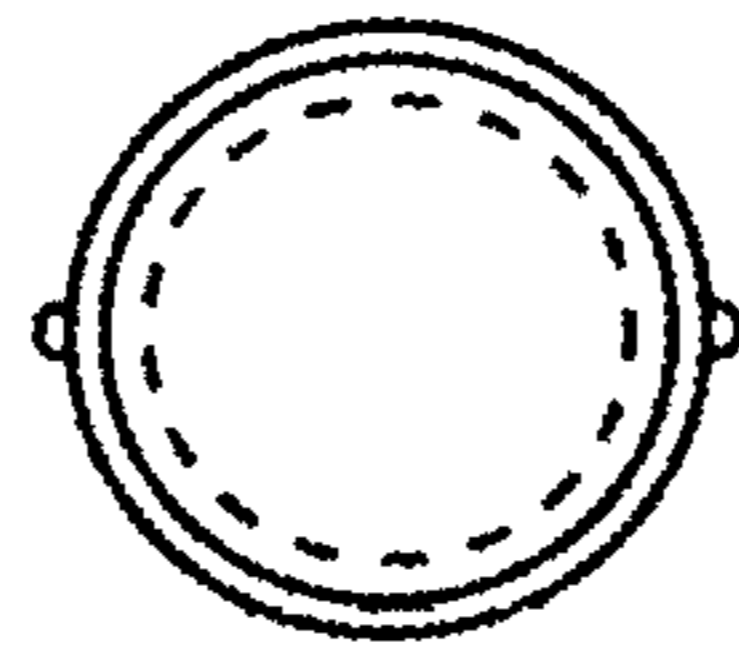


FIG. 6

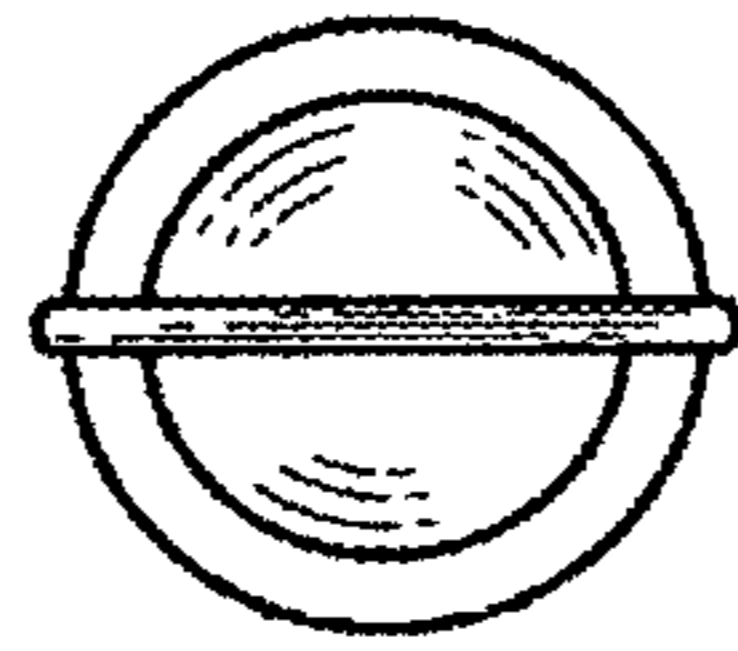


FIG. 7