



US00D940978S

(12) **United States Design Patent**
Lin

(10) **Patent No.:** **US D940,978 S**
(45) **Date of Patent:** **** Jan. 11, 2022**

- (54) **TURBO NOZZLE FOR PRESSURE WASHER**
- (71) Applicant: **Shanghai Mingbiao Trading Co., Ltd.,**
Shanghai (CN)
- (72) Inventor: **Quanming Lin,** Shanghai (CN)
- (73) Assignee: **Shanghai Mingbiao Trading Co., Ltd.,**
Shanghai (CN)
- (**) Term: **15 Years**

D819,169 S * 5/2018 Osborne D23/213
 D826,065 S * 8/2018 Kellman D9/690
 D861,453 S * 10/2019 Lai D8/70
 D872,829 S * 1/2020 Bloom D23/213
 (Continued)

FOREIGN PATENT DOCUMENTS

CN 305541912 * 1/2020
 IN 341422-001-0001 * 5/2021

OTHER PUBLICATIONS

M Mingle Turbo Nozzle for Pressure Washer, available in Amazon.co.uk, date first available Nov. 14, 2019 [online], [site visited Nov. 17, 2021], Available from the internet URL: https://www.amazon.co.uk/MINGLE-Pressure-Rotating-Connect-Orifice/dp/B081JL4ZH6/ref=sr_1_10? (Year: 2019).*

(Continued)

Primary Examiner — Dana K Weiland
Assistant Examiner — Jennylou M Binas
 (74) *Attorney, Agent, or Firm* — ScienBiziP, P.C.

(57) **CLAIM**

The ornamental design for a turbo nozzle for pressure washer, as shown and described.

DESCRIPTION

FIG. 1 is a front, left, and top perspective view of a turbo nozzle for pressure washer, showing my design.
 FIG. 2 is a rear, right, and bottom perspective view thereof.
 FIG. 3 is a front elevation view thereof.
 FIG. 4 is a rear elevation view thereof.
 FIG. 5 is a left side elevation view thereof.
 FIG. 6 is a right side elevation view thereof.
 FIG. 7 is a top plan view thereof; and,
 FIG. 8 is a bottom plan view thereof.
 The broken lines shown in the drawings are included for the purpose of illustrating portions of the turbo nozzle for pressure washer that form no part of the claimed design.

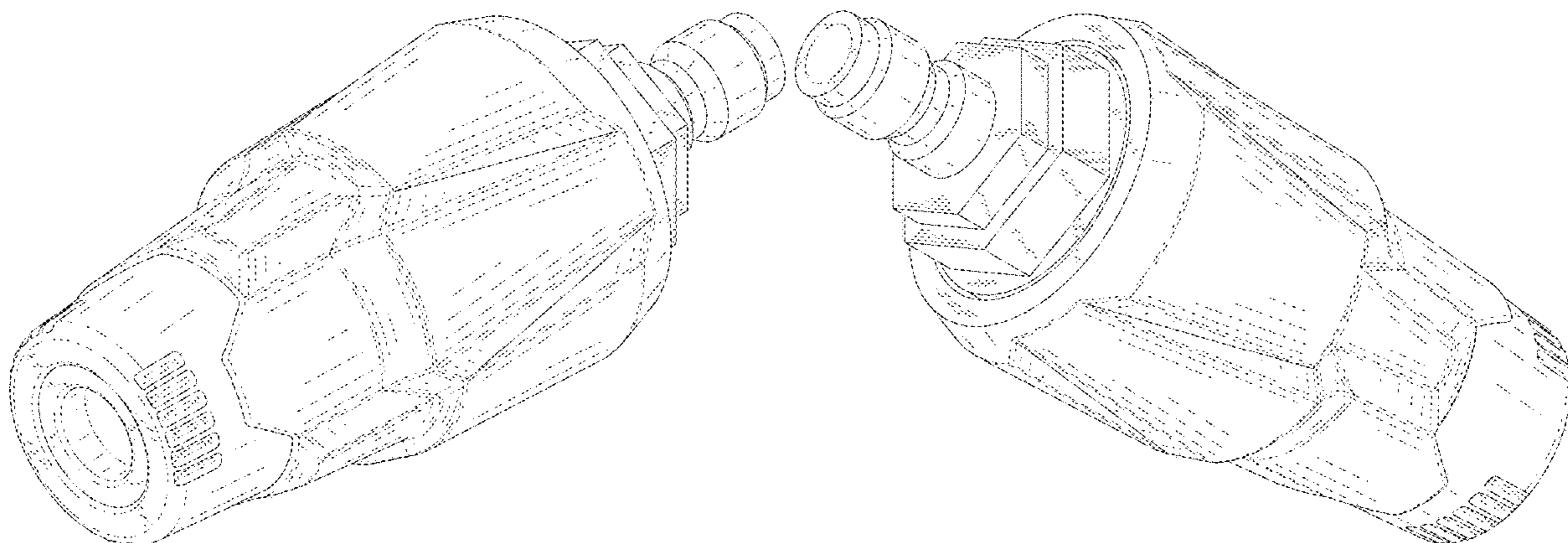
1 Claim, 8 Drawing Sheets

- (21) Appl. No.: **29/801,792**
- (22) Filed: **Jul. 30, 2021**
- (51) **LOC (13) Cl.** **15-05**
- (52) **U.S. Cl.**
USPC **D32/25; D23/213**
- (58) **Field of Classification Search**
USPC D32/1, 4, 15, 16, 25; D8/61, 62, 66, 70,
D8/107, 303; D23/205, 209, 213, 214,
D23/215, 223, 224, 225, 226, 230, 229,
D23/249, 252, 259, 262; D15/11, 138
CPC A47L 7/0014; B08B 3/00; B08B 3/003;
B08B 3/02; B08B 3/024; B08B 3/026;
B01D 25/386; B01D 35/306; B05B 1/00;
B05B 1/02; B05B 1/048; B05B 1/08;
B05B 1/1672; B05B 1/185; B05B 1/3442;
B05B 1/3489
See application file for complete search history.

(56) **References Cited**

U.S. PATENT DOCUMENTS

D231,829 S * 6/1974 Frasier D23/230
 D314,227 S * 1/1991 Christ D23/215
 D710,175 S * 8/2014 Moss D8/70
 D737,647 S * 9/2015 Elder D8/70
 D758,555 S * 6/2016 Van Dyke D23/262
 D760,363 S * 6/2016 Yang D23/262
 D793,833 S * 8/2017 Russell D8/70
 D809,723 S * 2/2018 Pierzynski D32/25



(56)

References Cited

U.S. PATENT DOCUMENTS

D885,155 S * 5/2020 Moss D8/70
D888,779 S * 6/2020 Quan D15/11
D894,334 S * 8/2020 Huaping D23/209
D907,455 S * 1/2021 Diaz D8/70
D917,666 S 4/2021 Urry
D923,747 S 6/2021 Svendsen et al.

OTHER PUBLICATIONS

Sooprinse Turbo Nozzle for Pressure Washer, available in Amazon.ca, date first available Jun. 26, 2020 [online], [site visited Nov. 17, 2021], Available from the internet URL: https://www.amazon.ca/3600PSI-Nozzle-Pressure-Rotating-Connector/dp/B08BWRPG99/ref=sr_1_4? (Year: 2020).*

* cited by examiner

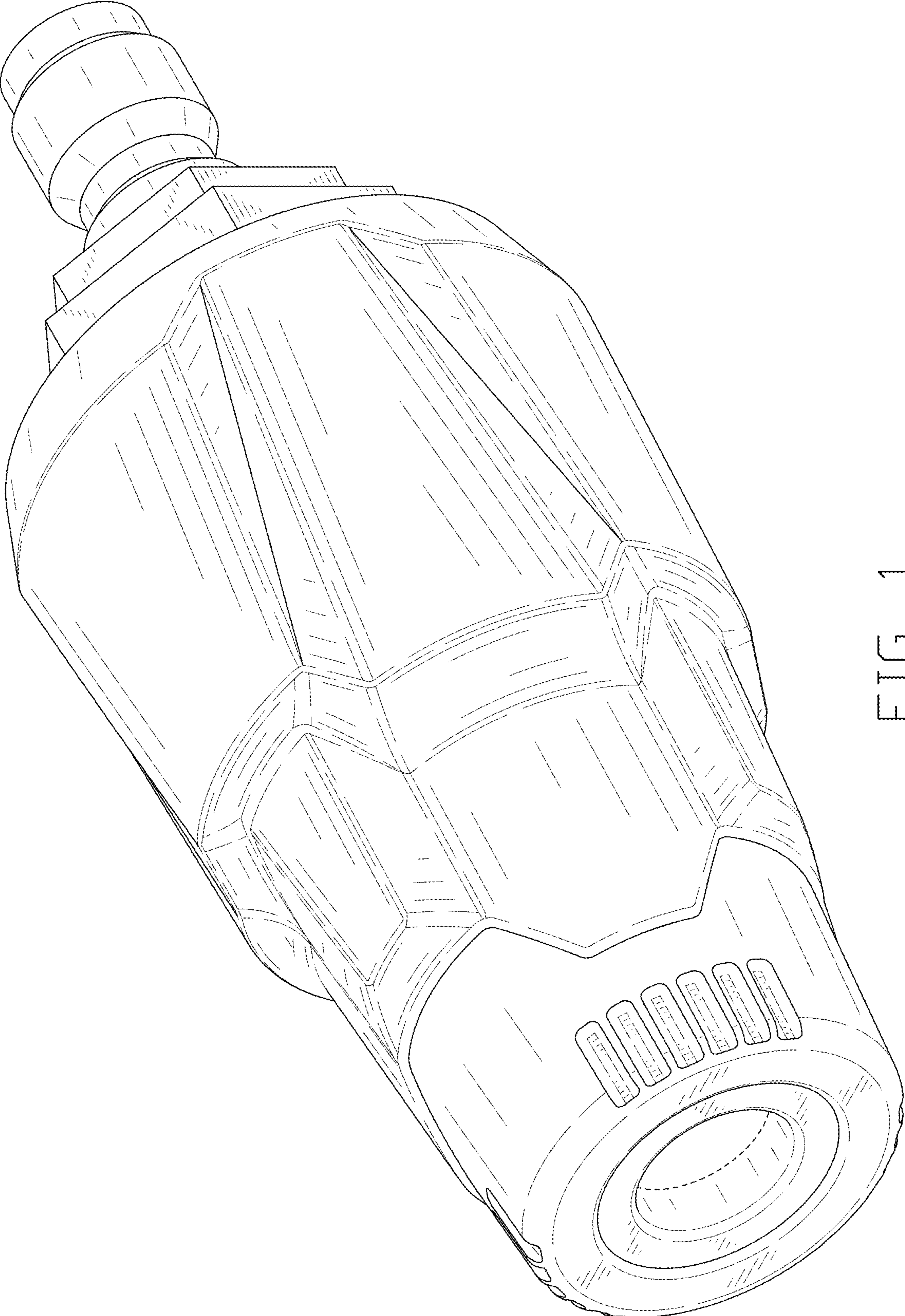


FIG. 1

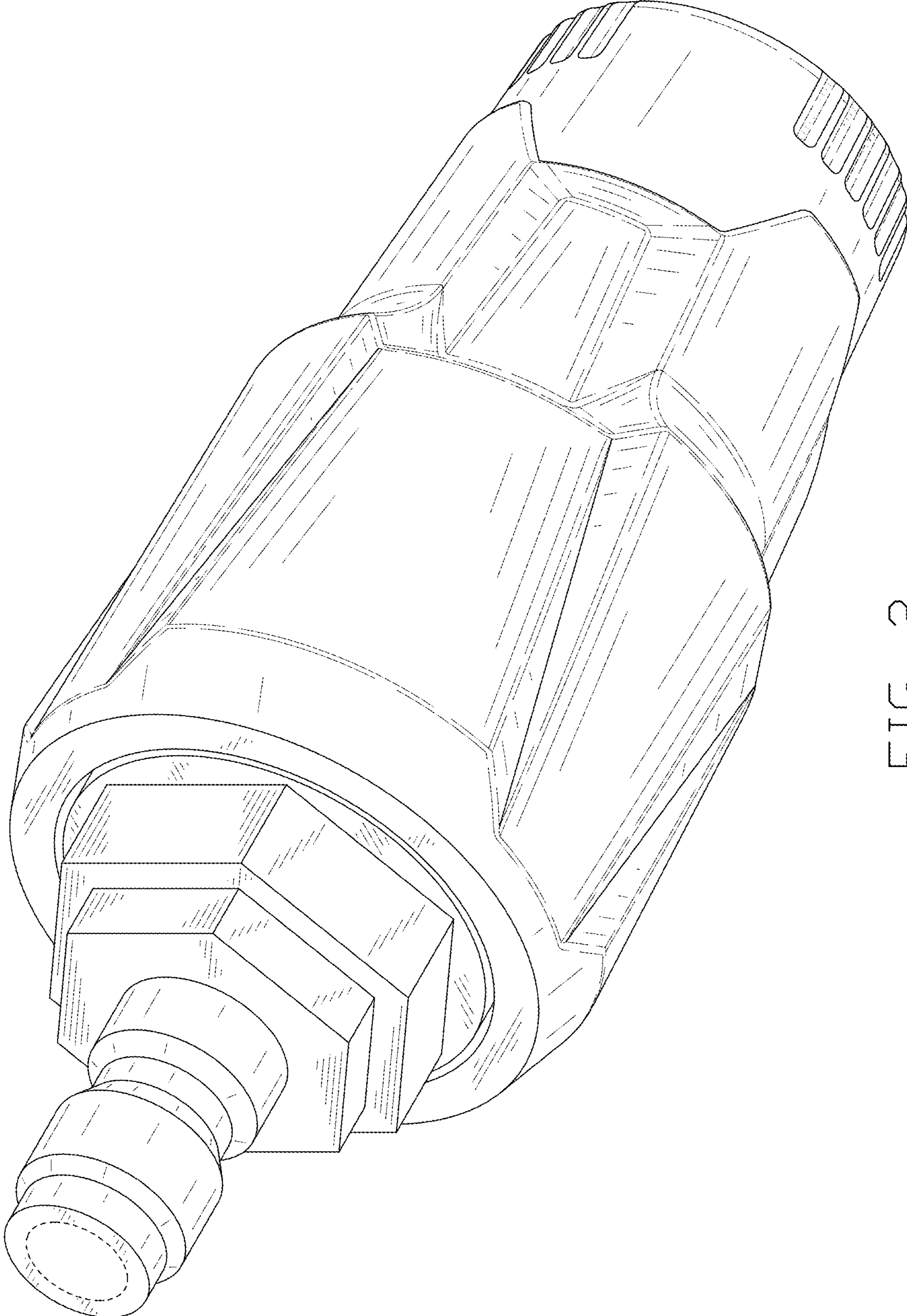


FIG. 2

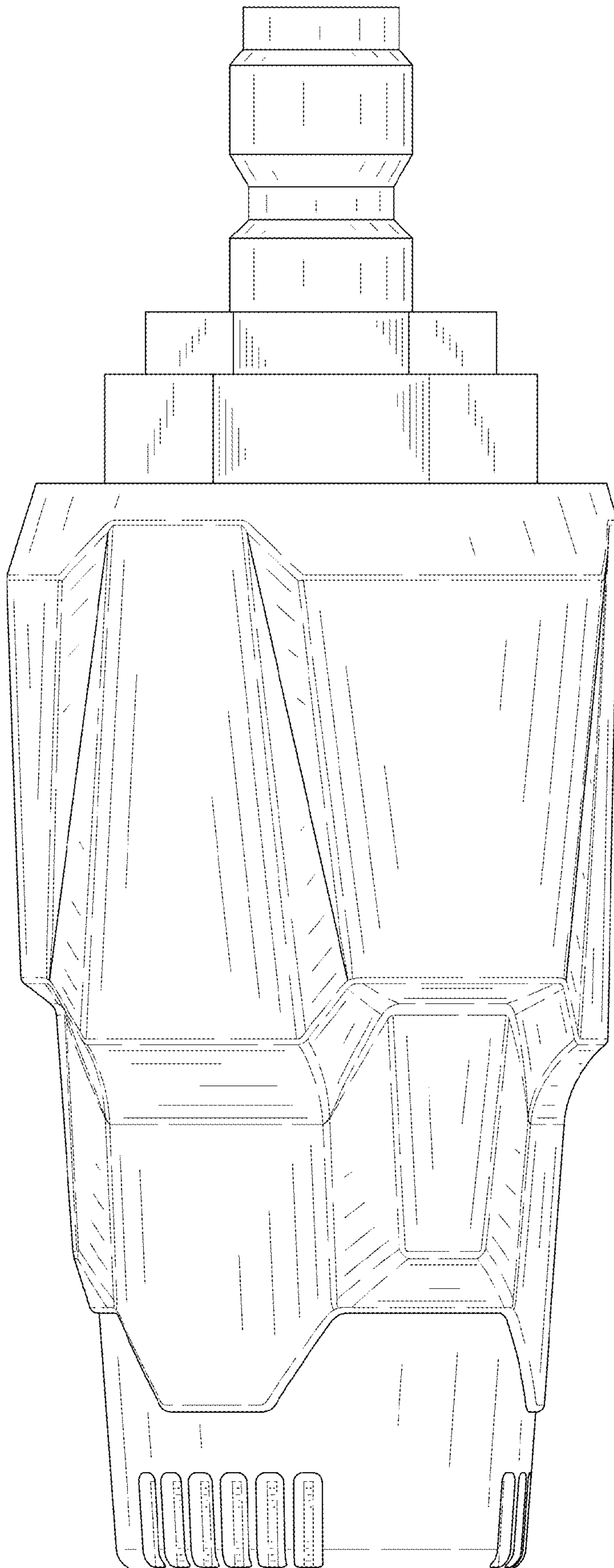


FIG. 3

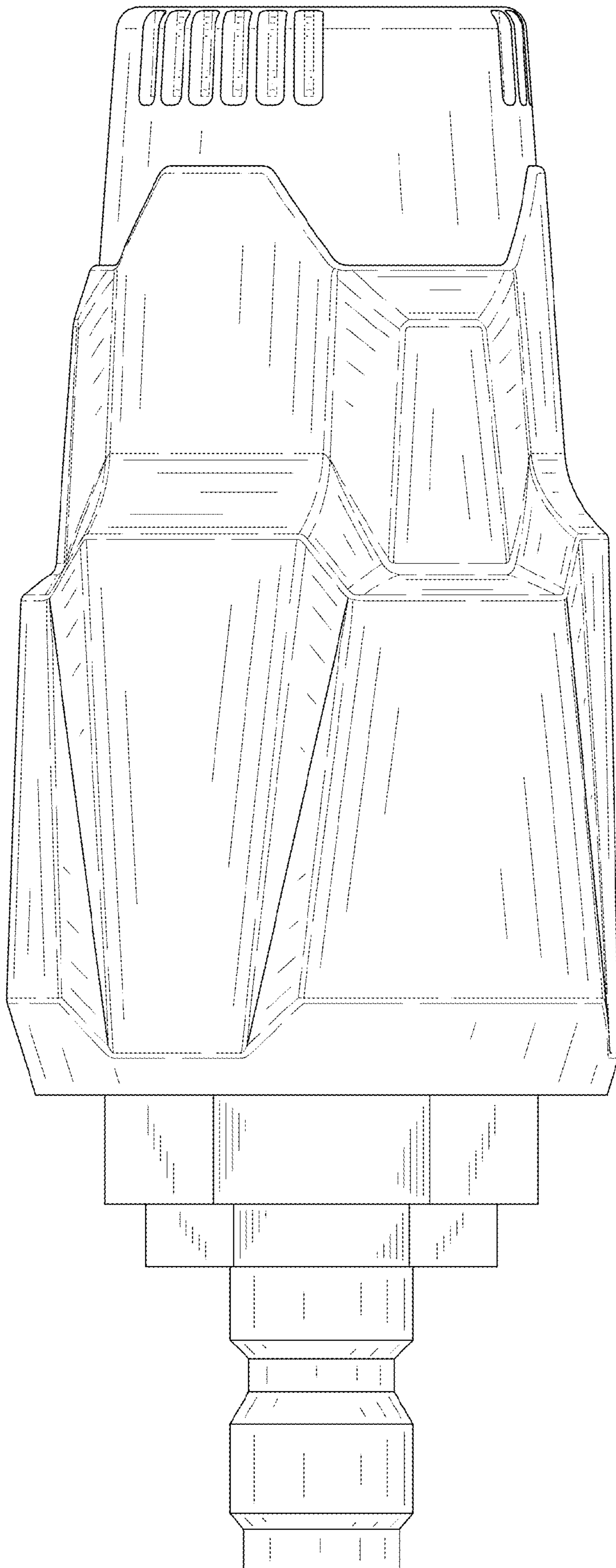


FIG. 4

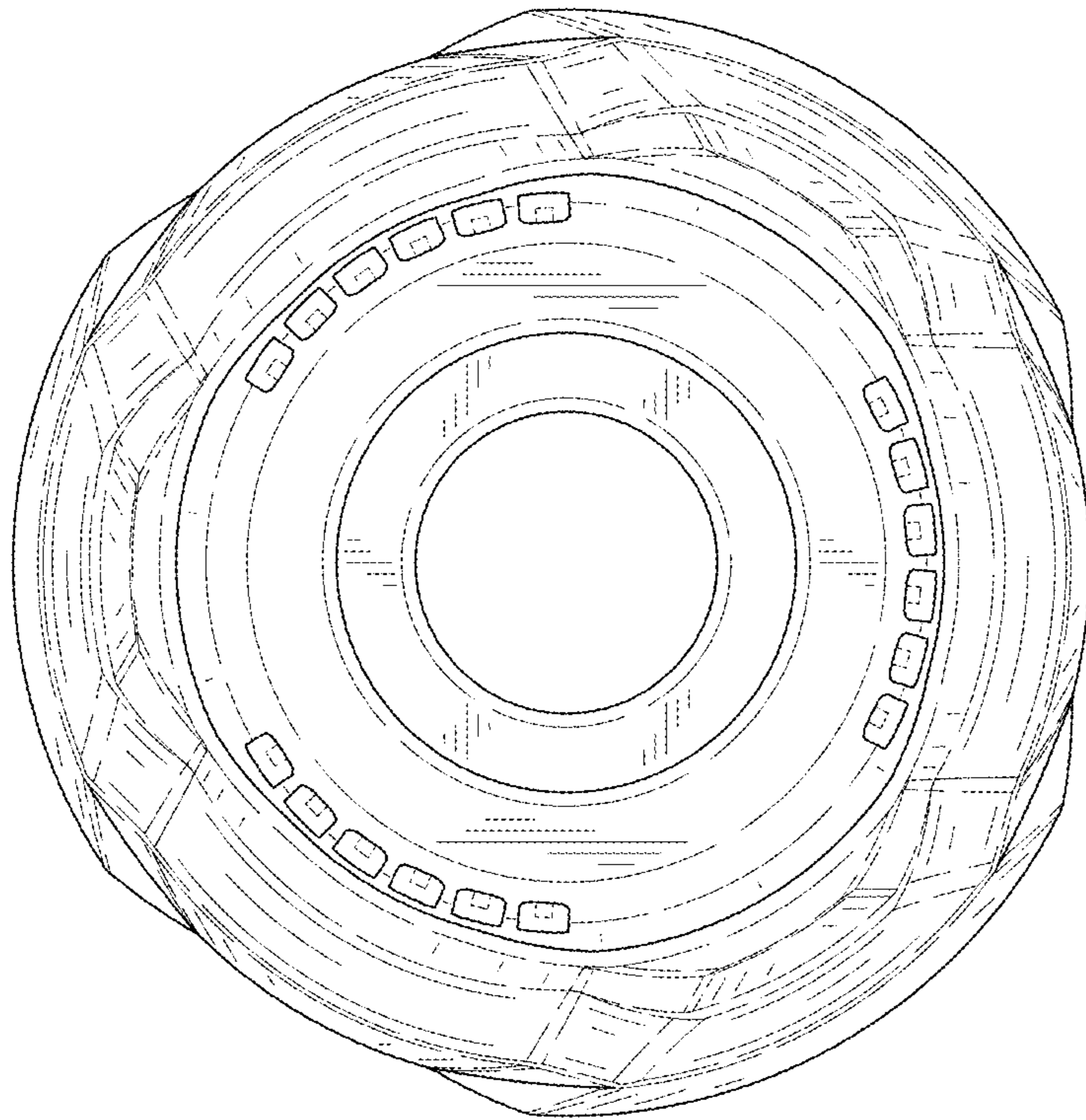


FIG. 5

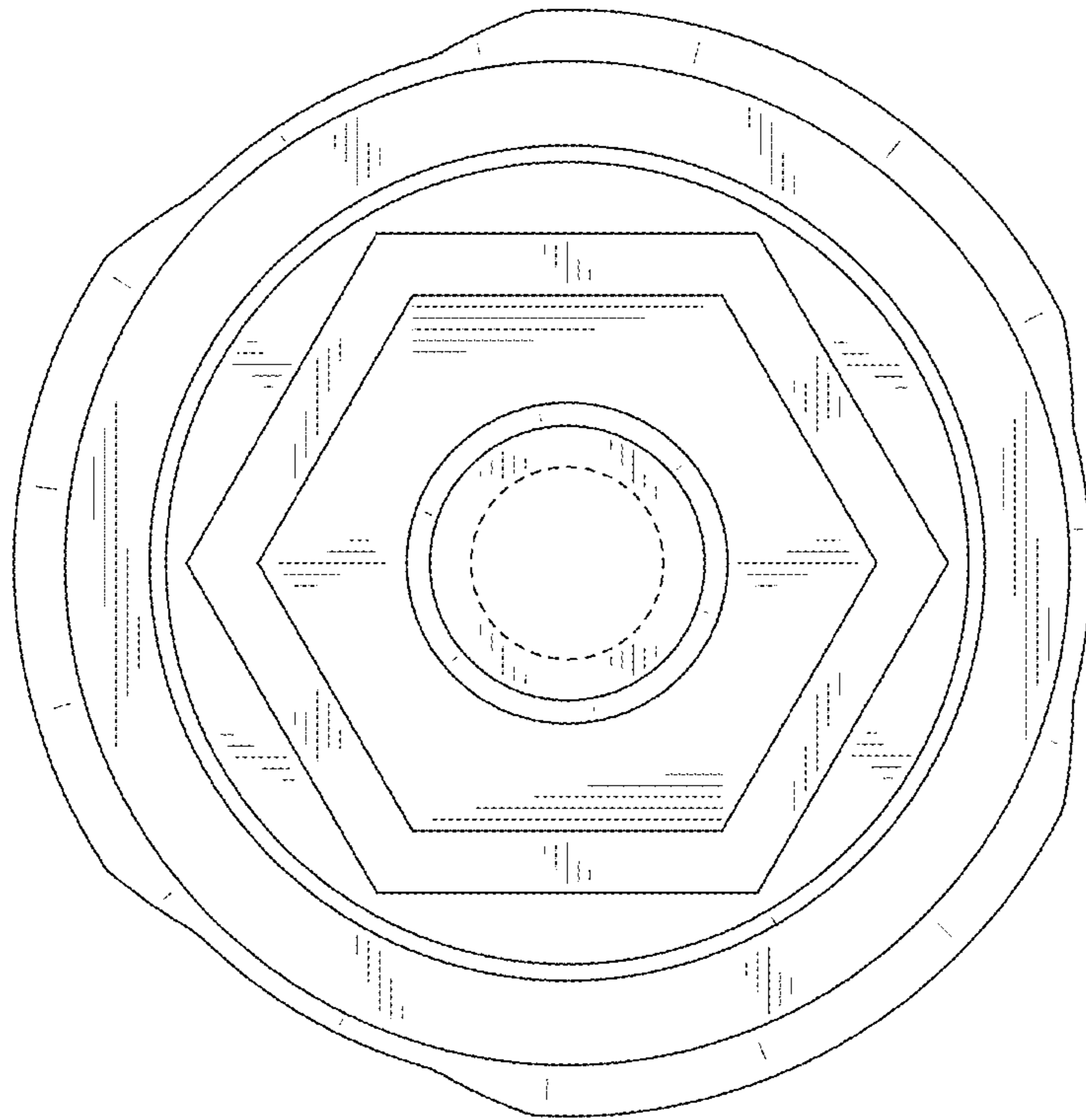


FIG. 6

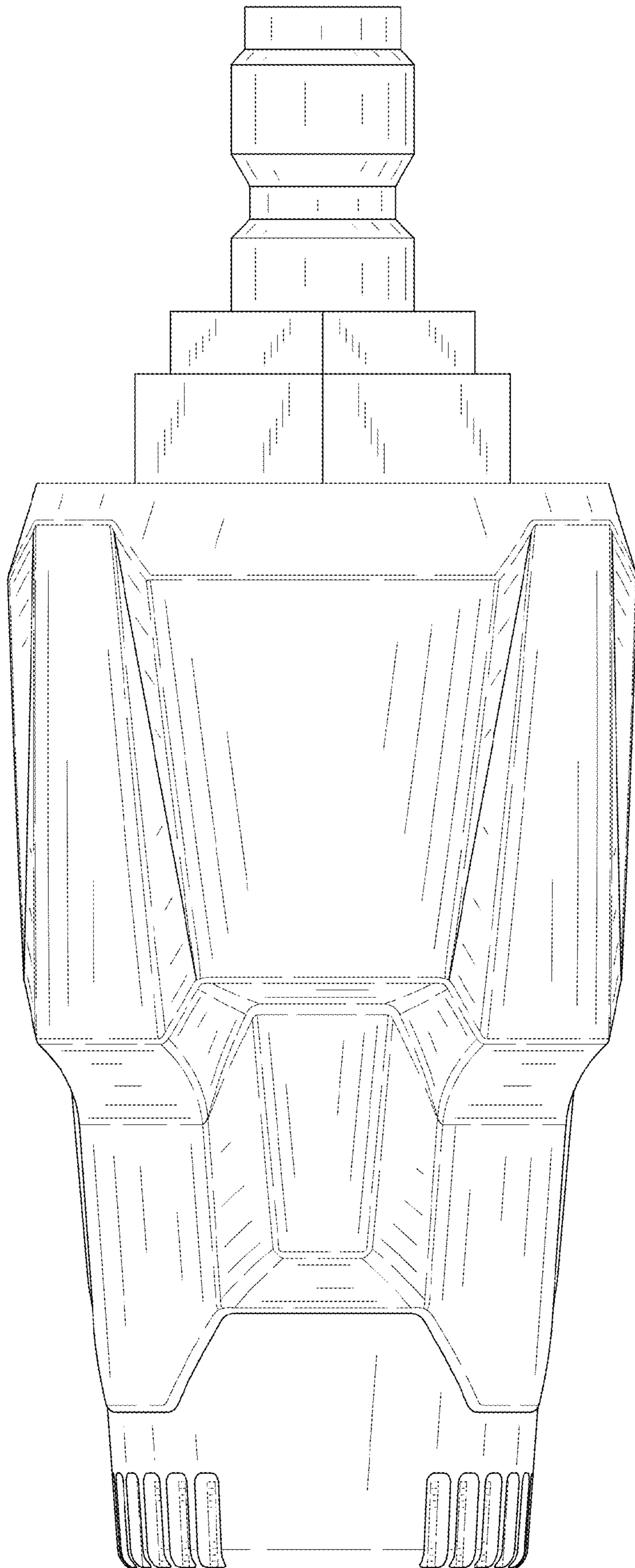


FIG. 7

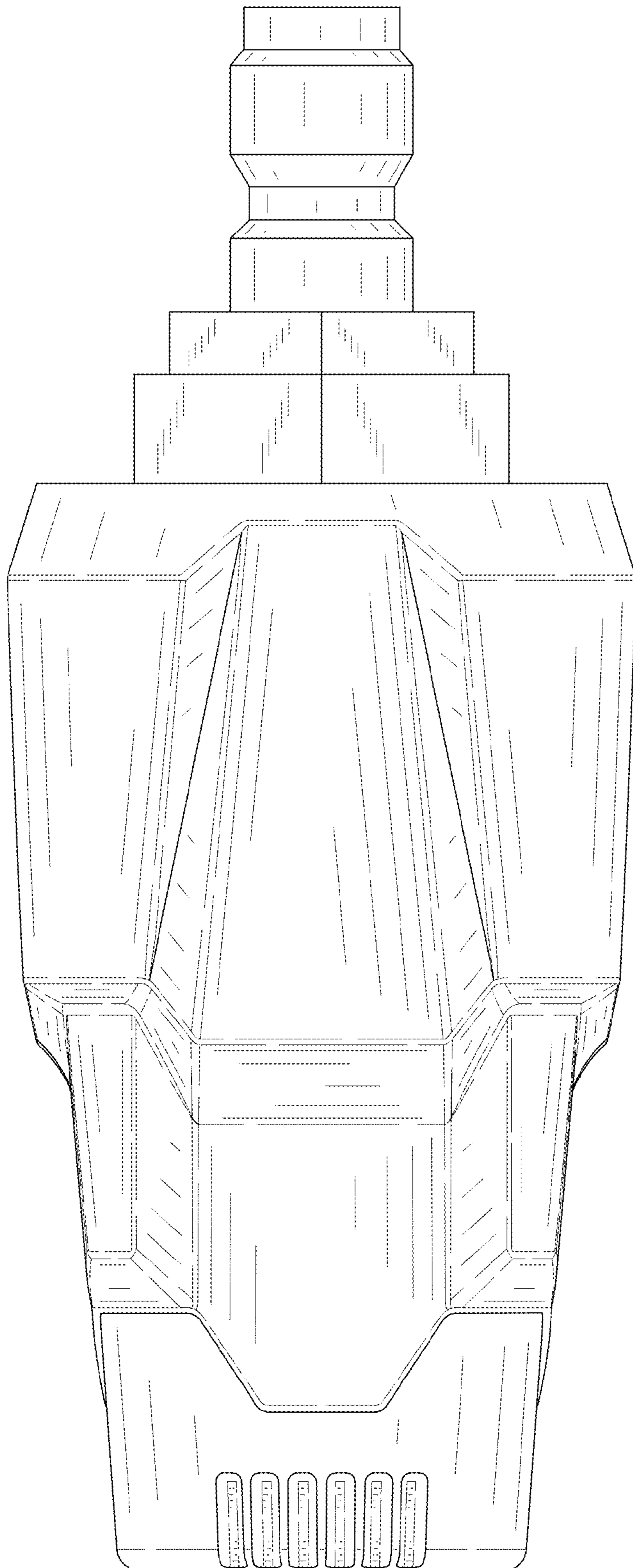


FIG. 8