



US00D940976S

(12) **United States Design Patent**
Maniff et al.

(10) **Patent No.: US D940,976 S**
(45) **Date of Patent: ** Jan. 11, 2022**

(54) **REMOVABLE COVER FOR A ROBOTIC CLEANING DEVICE**

(71) Applicant: **Maniff Creations, LLC**, Leesburg, VA (US)

(72) Inventors: **Jonathan Maniff**, Leesburg, VA (US);
Francesca Maniff, Leesburg, VA (US)

(73) Assignee: **Maniff Creations, LLC**, Leesburg, VA (US)

(**) Term: **15 Years**

(21) Appl. No.: **29/735,551**

(22) Filed: **May 21, 2020**

(51) **LOC (13) Cl.** **15-05**

(52) **U.S. Cl.**
USPC **D32/25**

(58) **Field of Classification Search**
USPC D3/216, 217; D32/21, 25, 32
CPC A47L 7/0085; A47L 9/00; A47L 2201/00;
A63H 3/003
See application file for complete search history.

(56) **References Cited**

U.S. PATENT DOCUMENTS

- D112,887 S * 1/1939 Schaefer D32/50
- D250,646 S * 12/1978 Hashimoto D14/200
- D255,743 S * 7/1980 Randall D6/596
- 4,718,721 A * 1/1988 Pompa B60N 2/6063
297/224
- D319,271 S * 8/1991 Senitt D21/658
- D351,200 S * 10/1994 Vigneron D21/650
- D355,077 S * 2/1995 Tegner D30/118
- 5,634,223 A * 6/1997 Obermaier A47C 7/021
5/654
- D386,031 S * 11/1997 Bear D21/603
- D408,275 S * 4/1999 Terrasi D9/630

- D427,791 S * 7/2000 Peterson D6/349
 - 6,406,098 B1 * 6/2002 Linder A47C 3/16
220/592.2
 - D466,886 S * 12/2002 Crane D14/207
 - 6,572,301 B1 * 6/2003 Robinson A47K 5/02
401/201
 - D555,740 S * 11/2007 Johnson D11/158
- (Continued)

FOREIGN PATENT DOCUMENTS

WO WO-2020243197 A1 * 12/2020 A63H 3/02

Primary Examiner — Patricia A Palasik
(74) *Attorney, Agent, or Firm* — Troutman Pepper
Hamilton Sanders LLP

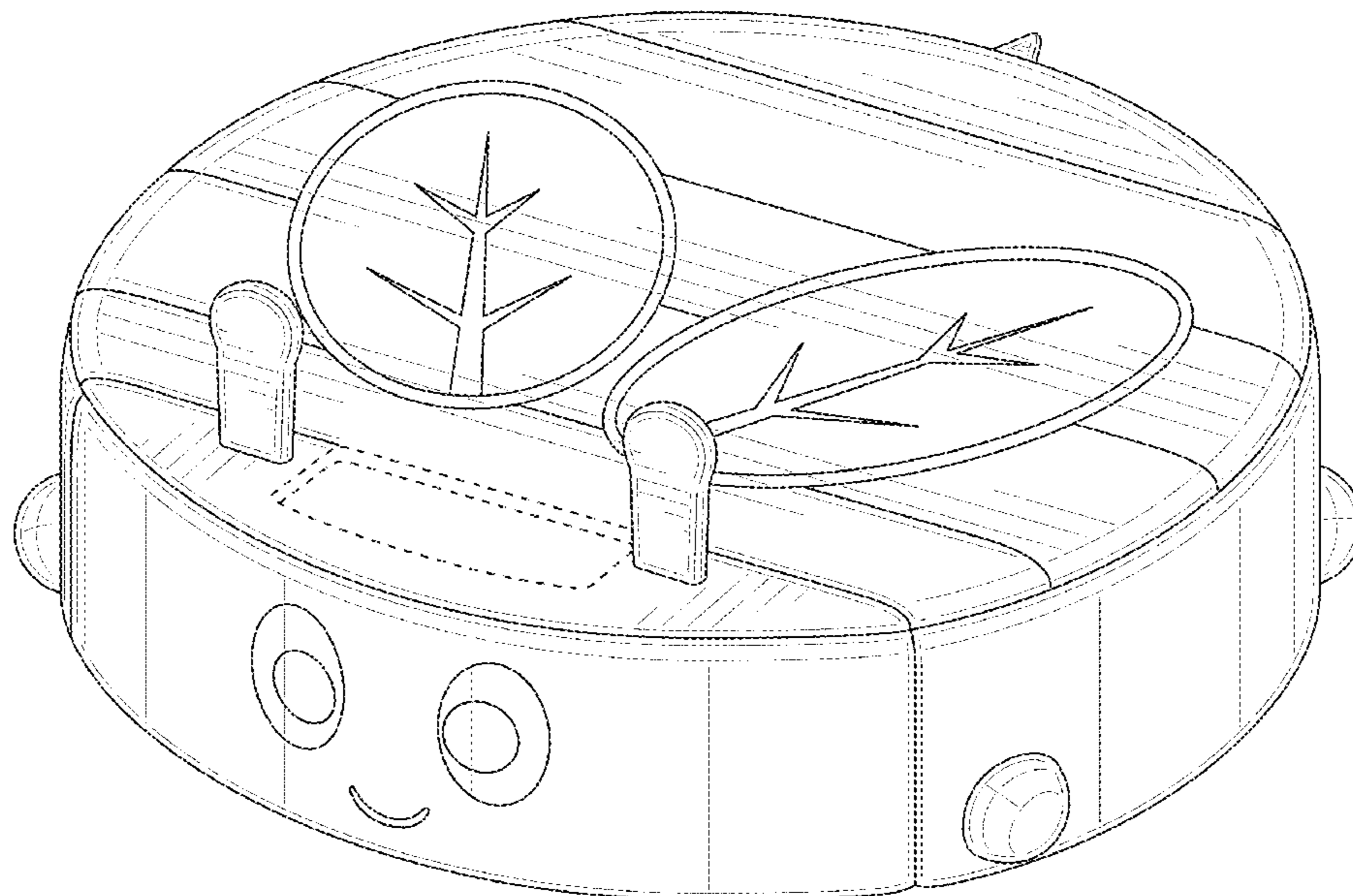
(57) **CLAIM**

We claim the ornamental design for a removable cover for a robotic cleaning device, as shown and described.

DESCRIPTION

FIG. 1 is an upper perspective view of a removable cover for a robotic cleaning device;
 FIG. 2 is a lower perspective view of the design shown in FIG. 1
 FIG. 3 is a front plan view of the design shown in FIG. 1;
 FIG. 4 is a rear plan view of the design shown in FIG. 1;
 FIG. 5 is a left side plan view of the design shown in FIG. 1;
 FIG. 6 is a right side plan view of the design shown in FIG. 1;
 FIG. 7 is a top plan view of the design shown in FIG. 1; and,
 FIG. 8 is a bottom plan view of the design shown in FIG. 1.
 The broken lines in the drawings depict portions of the removable cover for a robotic cleaning device which form no part of the claimed design. The shade lines shown represent surface shading and not surface ornamentation, color, or material type.

1 Claim, 8 Drawing Sheets



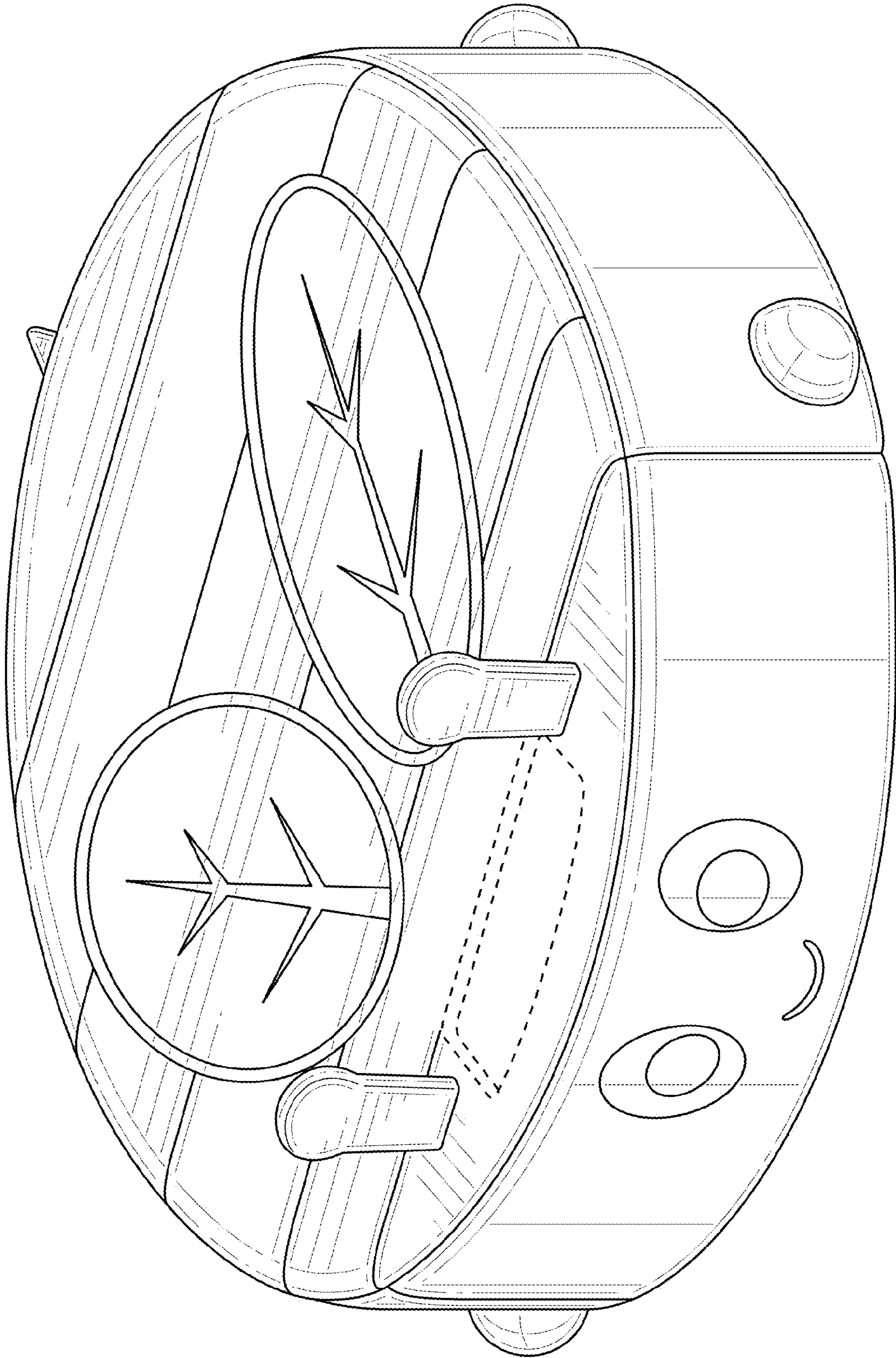


FIG. 1

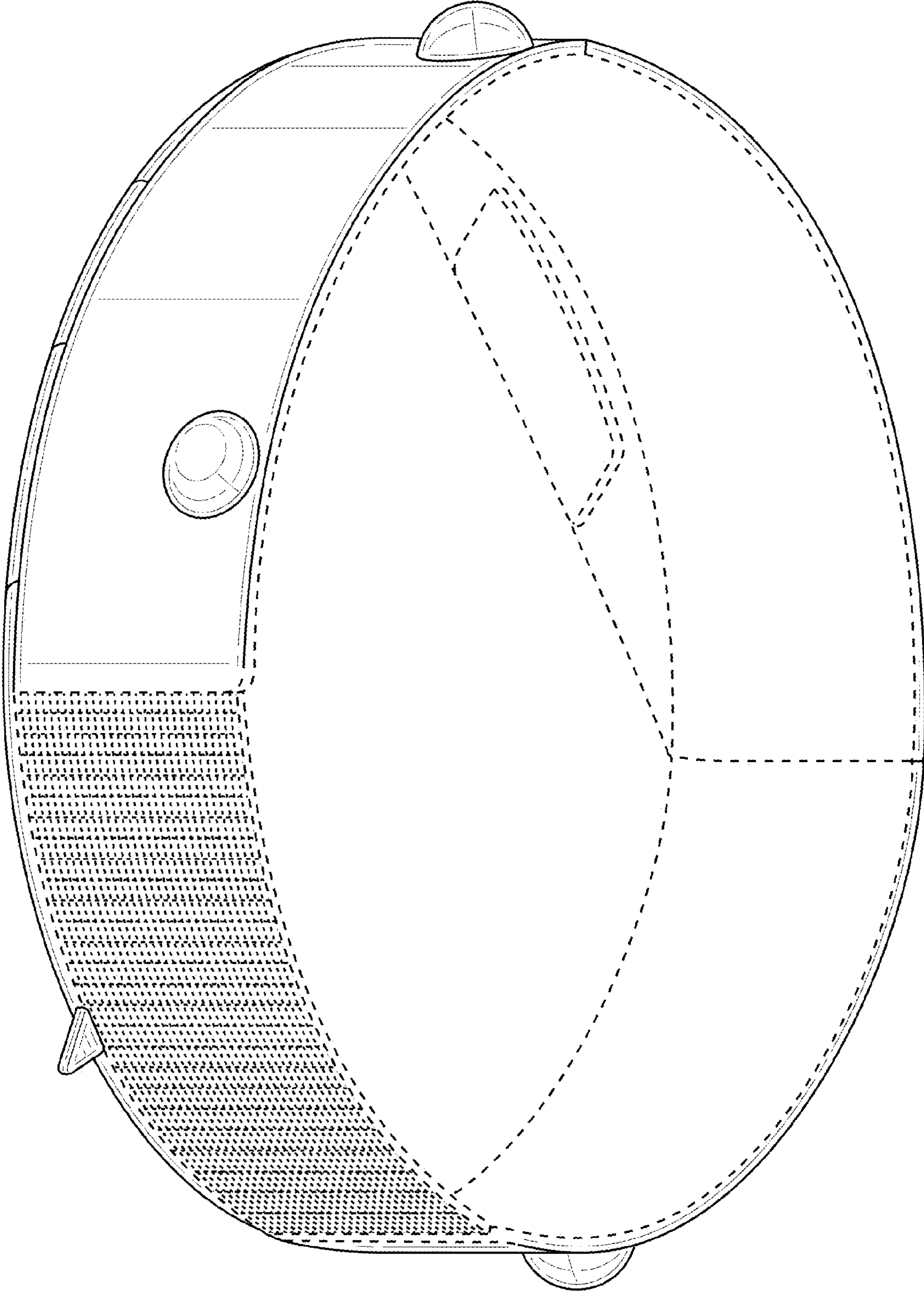


FIG. 2

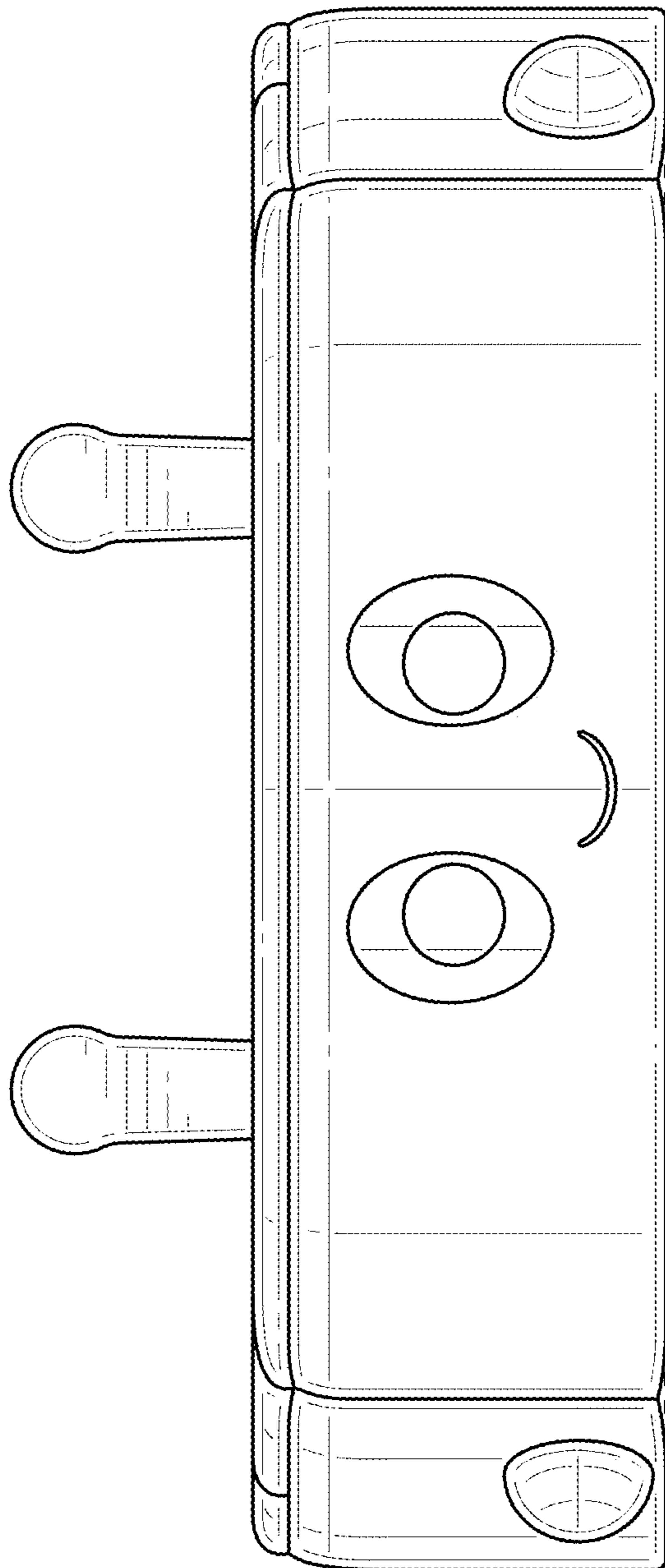


FIG. 3

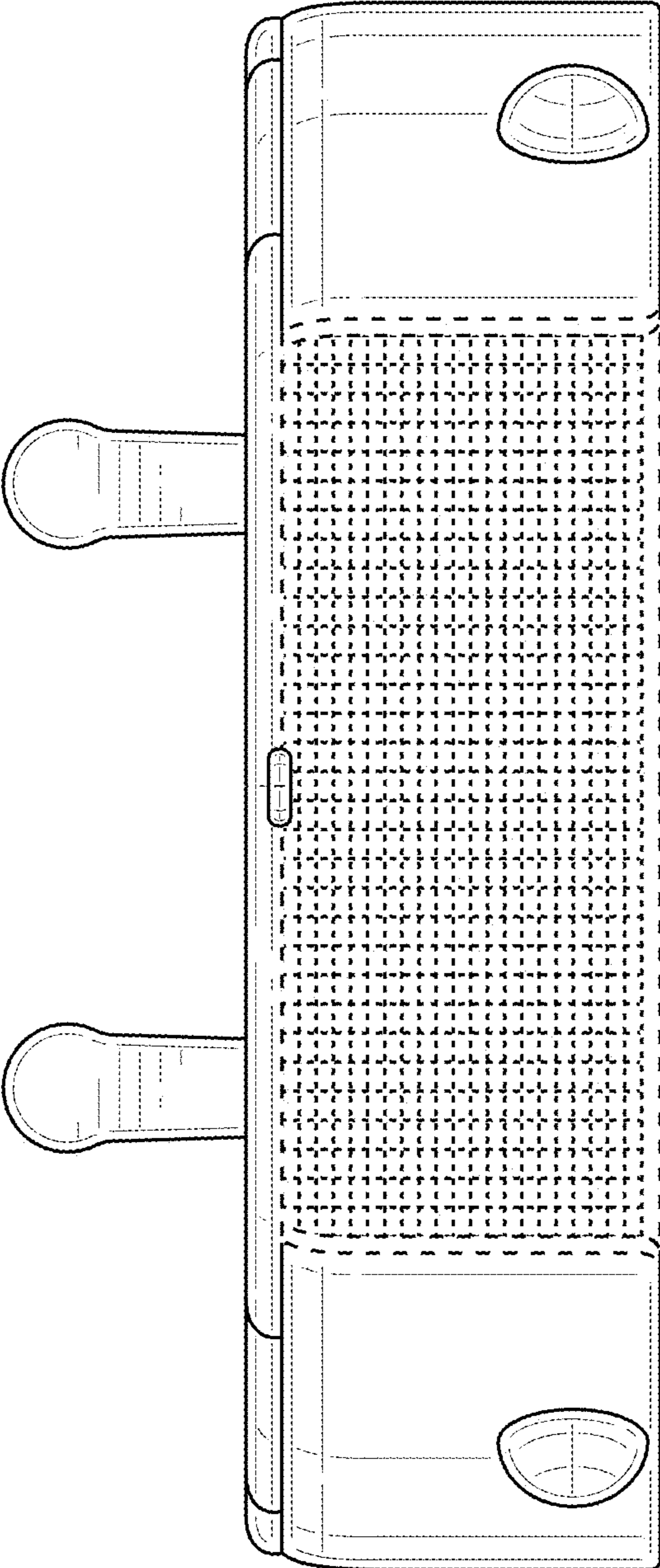


FIG. 4

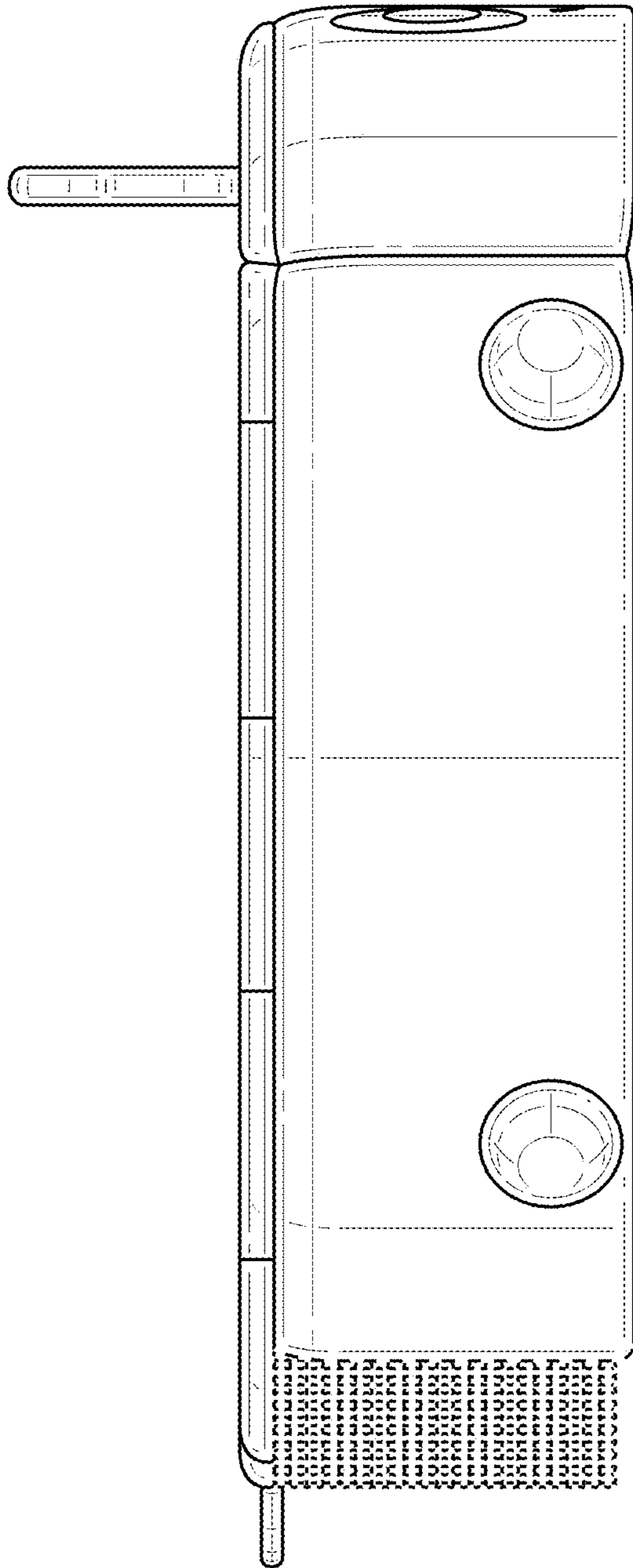


FIG. 5

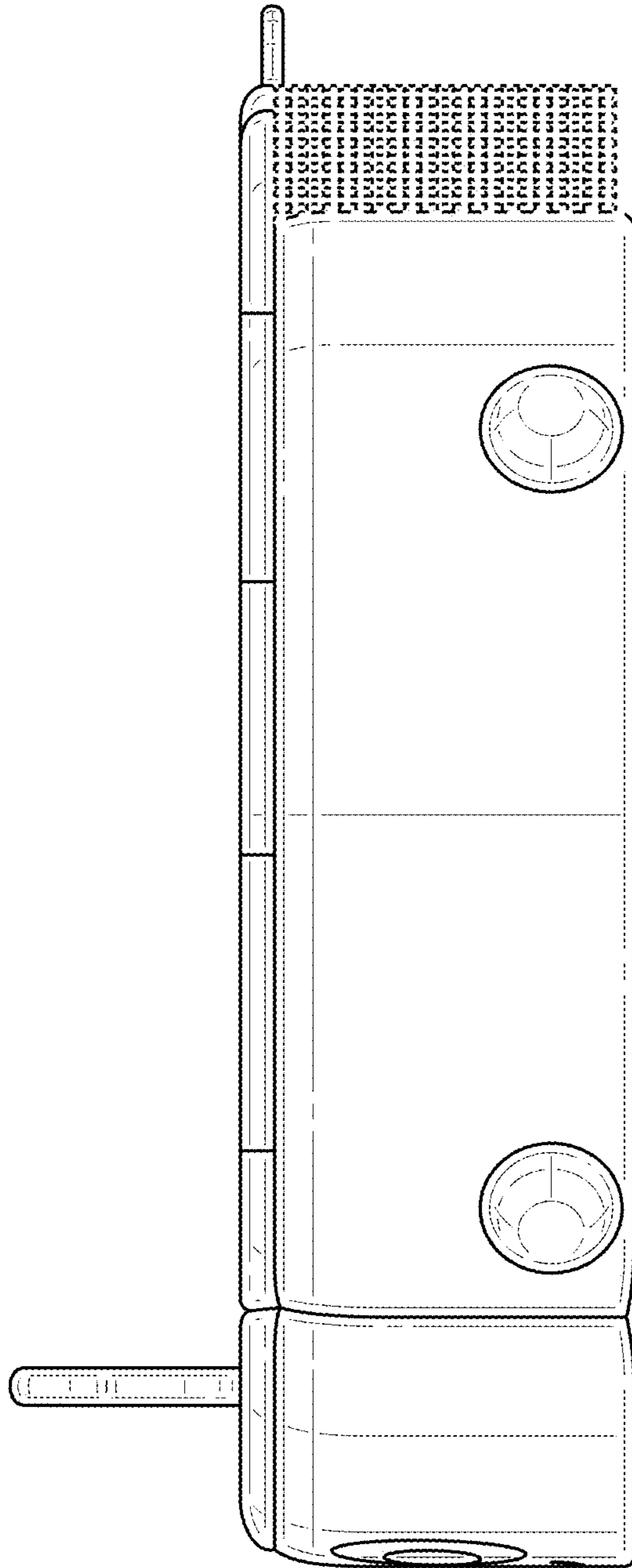


FIG. 6

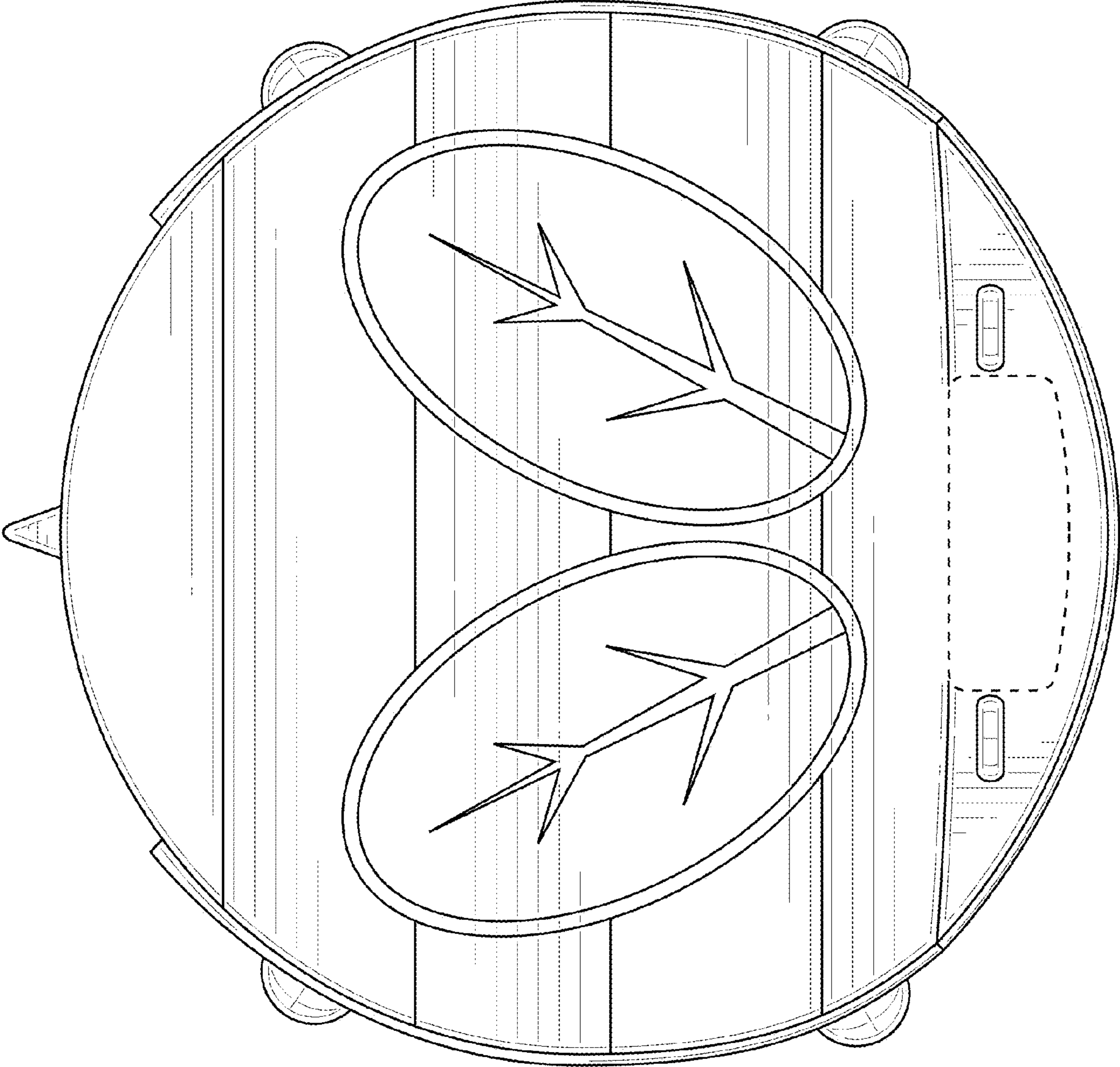


FIG. 7

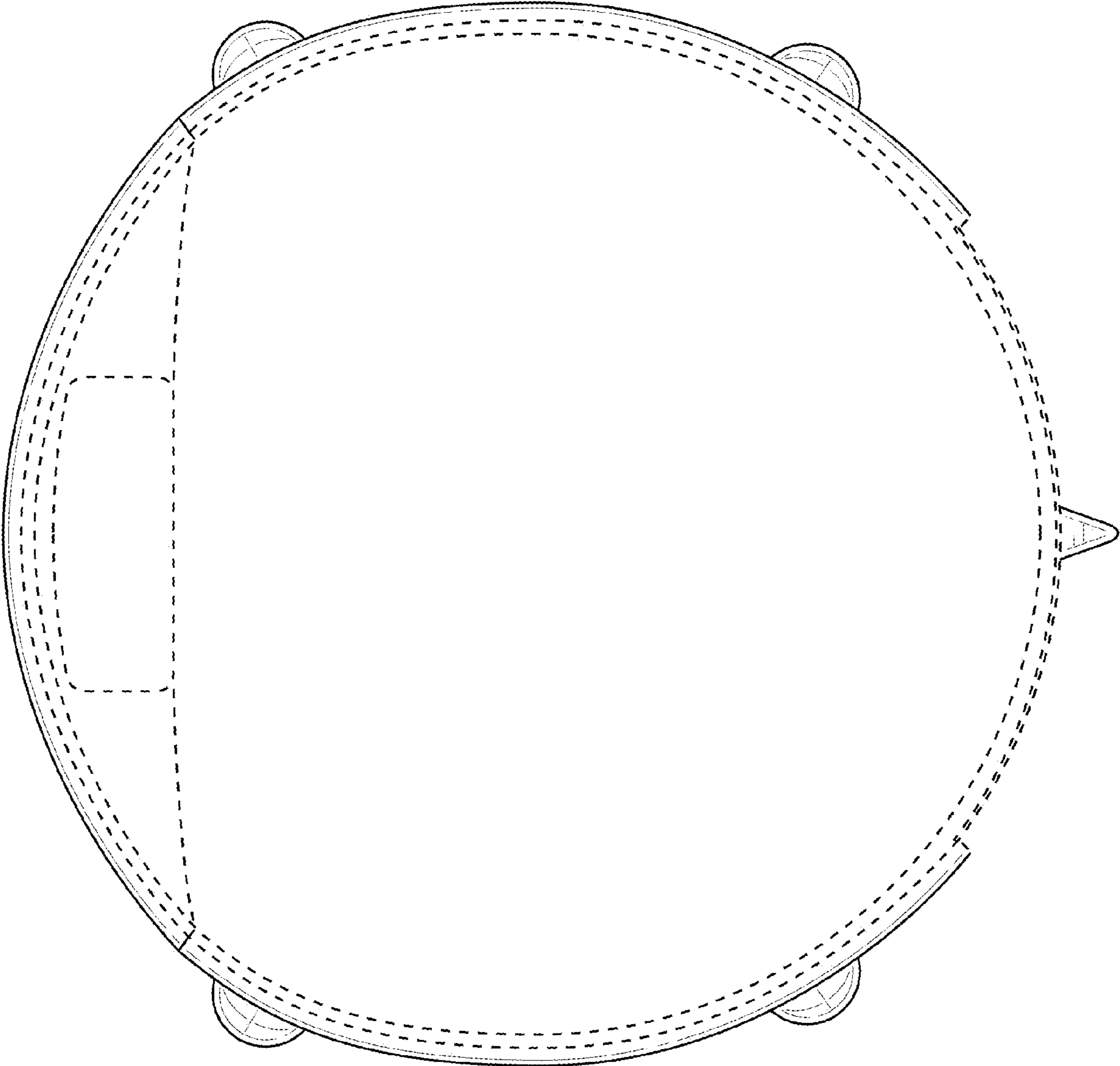


FIG. 8