



US00D940975S

(12) **United States Design Patent**
Maniff et al.

(10) **Patent No.:** **US D940,975 S**
(45) **Date of Patent:** **** Jan. 11, 2022**

(54) **REMOVABLE COVER FOR A ROBOTIC CLEANING DEVICE**

(71) Applicant: **Maniff Creations, LLC**, Leesburg, VA (US)

(72) Inventors: **Jonathan Maniff**, Leesburg, VA (US);
Francesca Maniff, Leesburg, VA (US)

(73) Assignee: **Maniff Creations, LLC**, Leesburg, VA (US)

(**) Term: **15 Years**

(21) Appl. No.: **29/735,550**

(22) Filed: **May 21, 2020**

(51) **LOC (13) Cl.** **15-05**

(52) **U.S. Cl.**
USPC **D32/25**

(58) **Field of Classification Search**
USPC D3/216, 217; D32/21, 25, 32
CPC A47L 7/0085; A47L 9/00; A47L 2201/00;
A63H 3/003
See application file for complete search history.

(56) **References Cited**

U.S. PATENT DOCUMENTS

D112,887 S *	1/1939	Schaefer	D32/50
D250,646 S *	12/1978	Hashimoto	D14/200
D255,743 S *	7/1980	Randall	D6/596
4,718,721 A *	1/1988	Pompa	B60N 2/6063 297/224
D319,271 S *	8/1991	Senitt	D21/658
D351,200 S *	10/1994	Vigneron	D21/650
D355,077 S *	2/1995	Tegner	D30/118
5,634,223 A *	6/1997	Obermaier	A47C 7/021 5/654
D386,031 S *	11/1997	Bear	D21/603
D408,275 S *	4/1999	Terrasi	D9/630

D427,791 S *	7/2000	Peterson	D6/349
6,406,098 B1 *	6/2002	Linder	A47C 3/16 220/592.2
D466,886 S *	12/2002	Crane	D14/207
6,572,301 B1 *	6/2003	Robinson	A47K 5/02 401/201
D555,740 S *	11/2007	Johnson	D11/158
D611,667 S *	3/2010	Libman	D32/50
D626,147 S *	10/2010	Goddard	D14/496

(Continued)

FOREIGN PATENT DOCUMENTS

WO WO-2020243197 A1 * 12/2020 A63H 3/02

Primary Examiner — Patricia A Palasik

(74) *Attorney, Agent, or Firm* — Troutman Pepper
Hamilton Sanders LLP

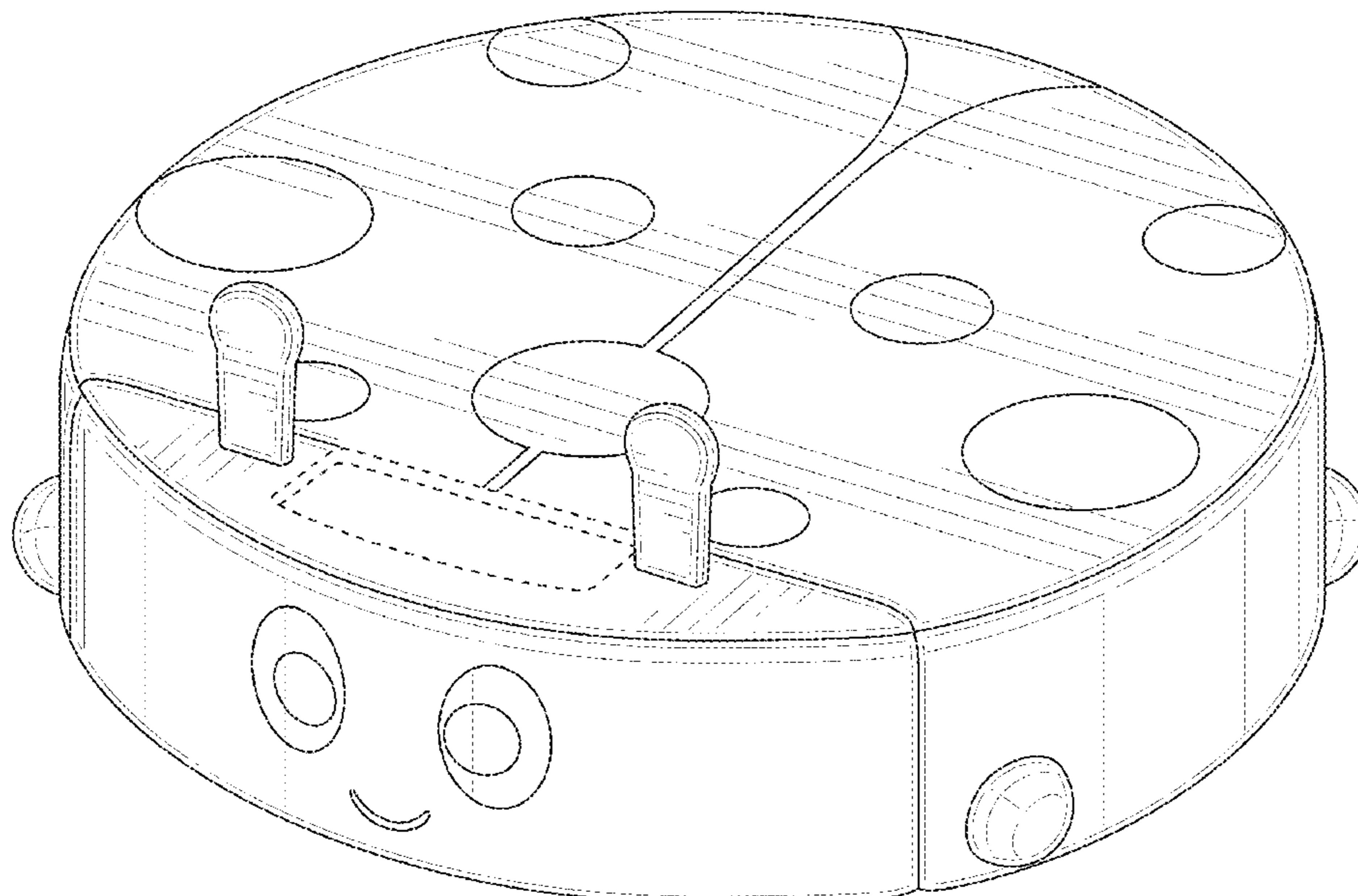
(57) **CLAIM**

We claim the ornamental design for a removable cover for a robotic cleaning device, as shown and described.

DESCRIPTION

FIG. 1 is an upper perspective view of a removable cover for a robotic cleaning device;
FIG. 2 is a lower perspective view of the design shown in FIG. 1;
FIG. 3 is a front plan view of the design shown in FIG. 1;
FIG. 4 is a rear plan view of the design shown in FIG. 1;
FIG. 5 is a left side plan view of the design shown in FIG. 1;
FIG. 6 is a right side plan view of the design shown in FIG. 1;
FIG. 7 is a top plan view of the design shown in FIG. 1; and,
FIG. 8 is a bottom plan view of the design shown in FIG. 1.
The broken lines in the drawings depict portions of the removable cover for a robotic cleaning device which form no part of the claimed design.

1 Claim, 8 Drawing Sheets



(56)

References Cited

U.S. PATENT DOCUMENTS

D642,774 S * 8/2011 Faber D2/946
D673,409 S * 1/2013 Kelly D6/601
8,509,972 B2 * 8/2013 Shu G08G 3/02
701/21
D696,359 S * 12/2013 Niskanen D21/439
D711,091 S * 8/2014 Mooney D3/216
D720,120 S * 12/2014 Simmonds D2/885
D738,139 S * 9/2015 Lacy D6/611
10,258,160 B2 * 4/2019 Risdall A47C 3/04
D857,126 S * 8/2019 Buonocore D21/650
D874,441 S * 2/2020 Crane D14/221
2003/0024558 A1 * 2/2003 Lewis A61H 3/02
135/72
2006/0054768 A1 * 3/2006 Sanchez B67D 3/0029
248/346.2
2006/0070577 A1 * 4/2006 Foley A01K 1/0353
119/28.5
2007/0155279 A1 * 7/2007 Mastrosimone-Gese
A63H 33/006
446/227
2008/0010848 A1 * 1/2008 Miles B65H 35/0086
33/758
2008/0115254 A1 * 5/2008 Galkov A63H 3/003
2/108
2010/0097289 A1 * 4/2010 Onweller H01Q 1/42
343/872
2015/0289671 A1 * 10/2015 Schechtman D06C 23/00
297/219.12
2017/0164807 A1 * 6/2017 Curtis A47L 13/10
2020/0375423 A1 * 12/2020 Maniff E04H 4/1654

* cited by examiner

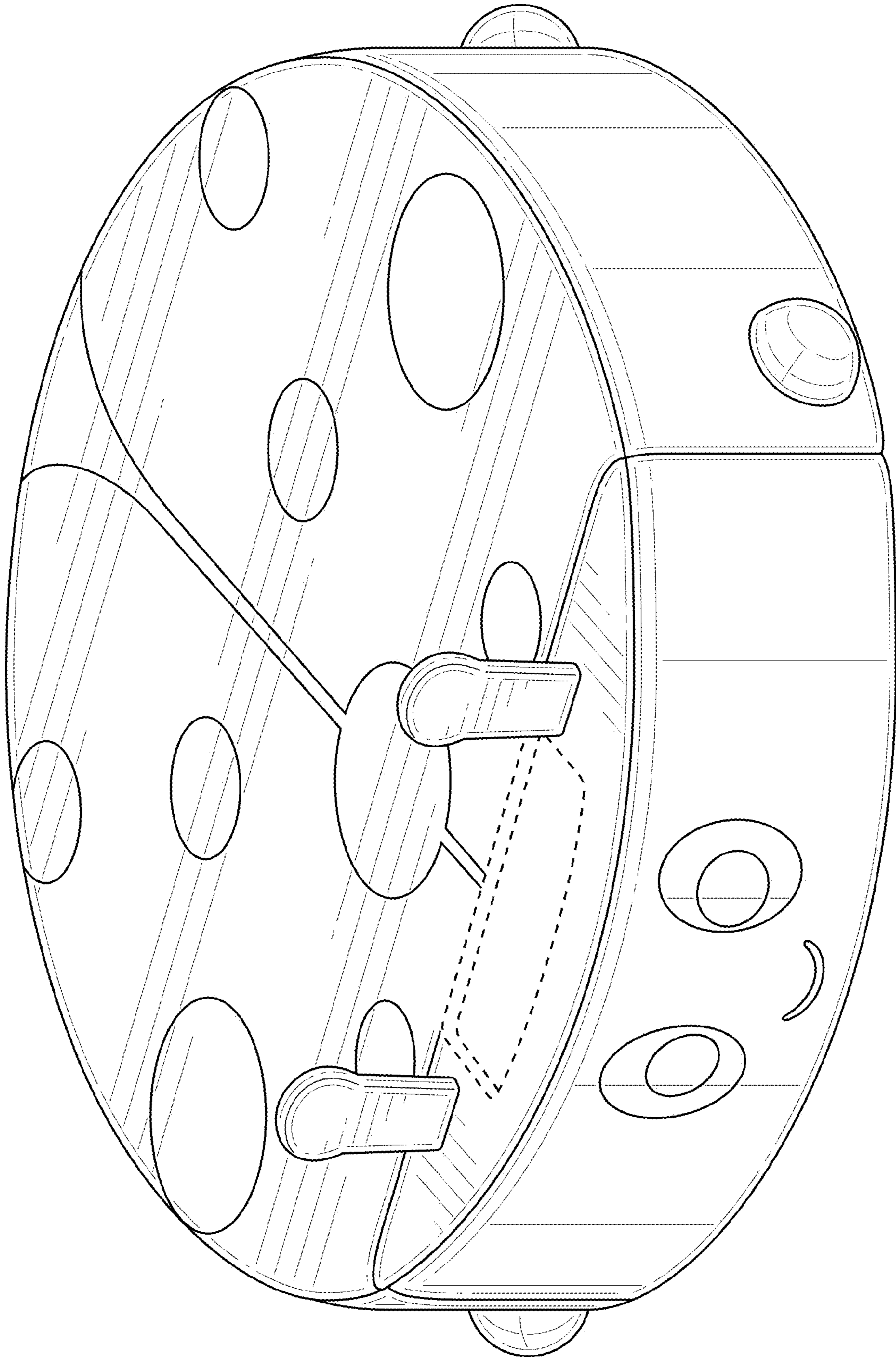


FIG. 1

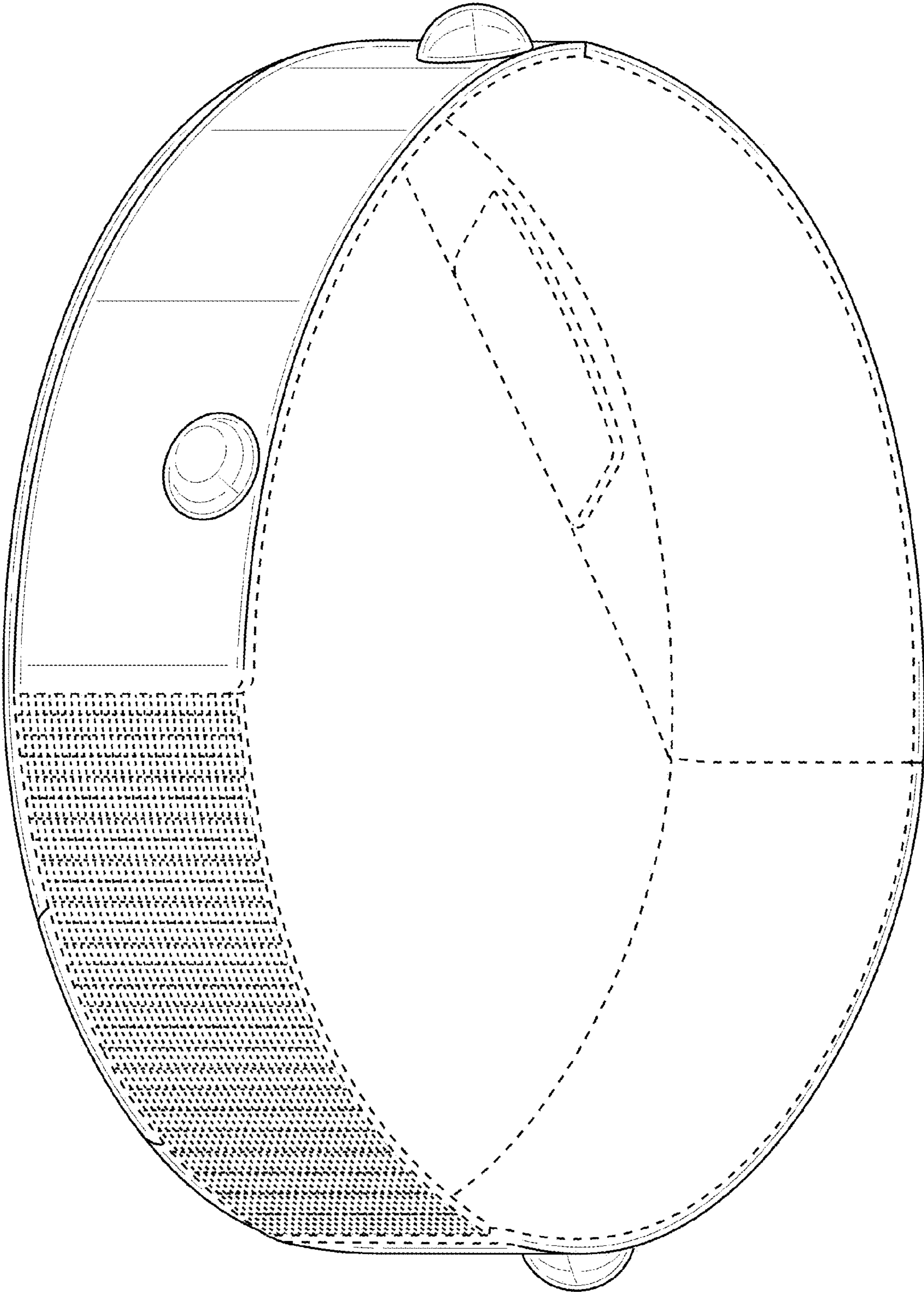


FIG. 2

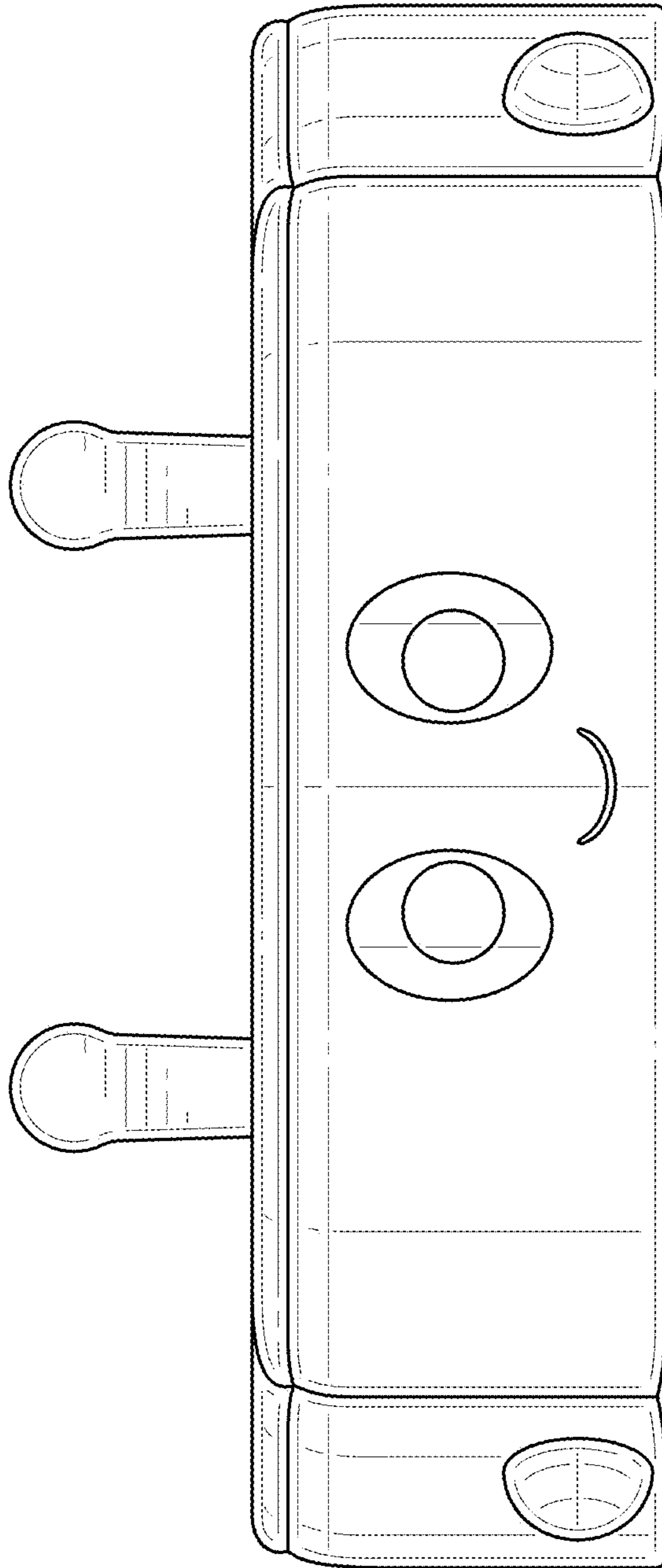


FIG. 3

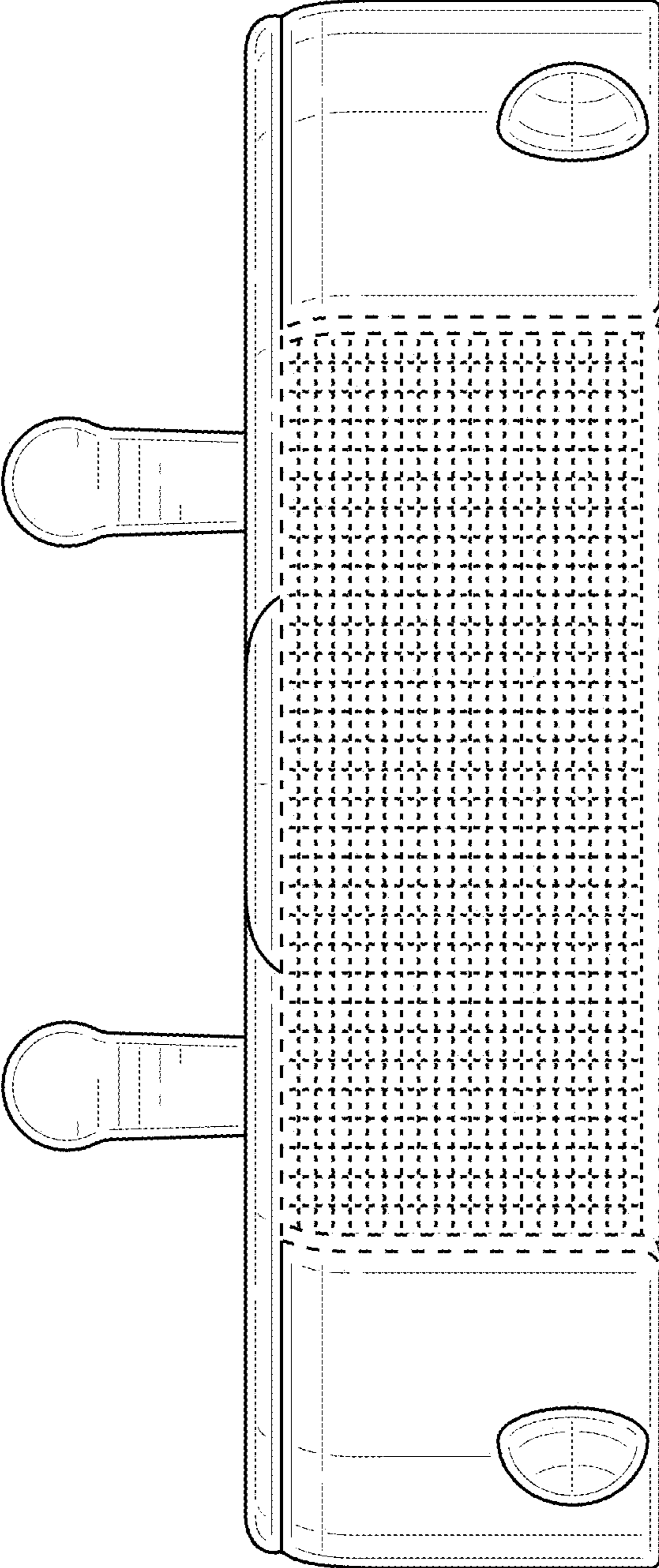


FIG. 4

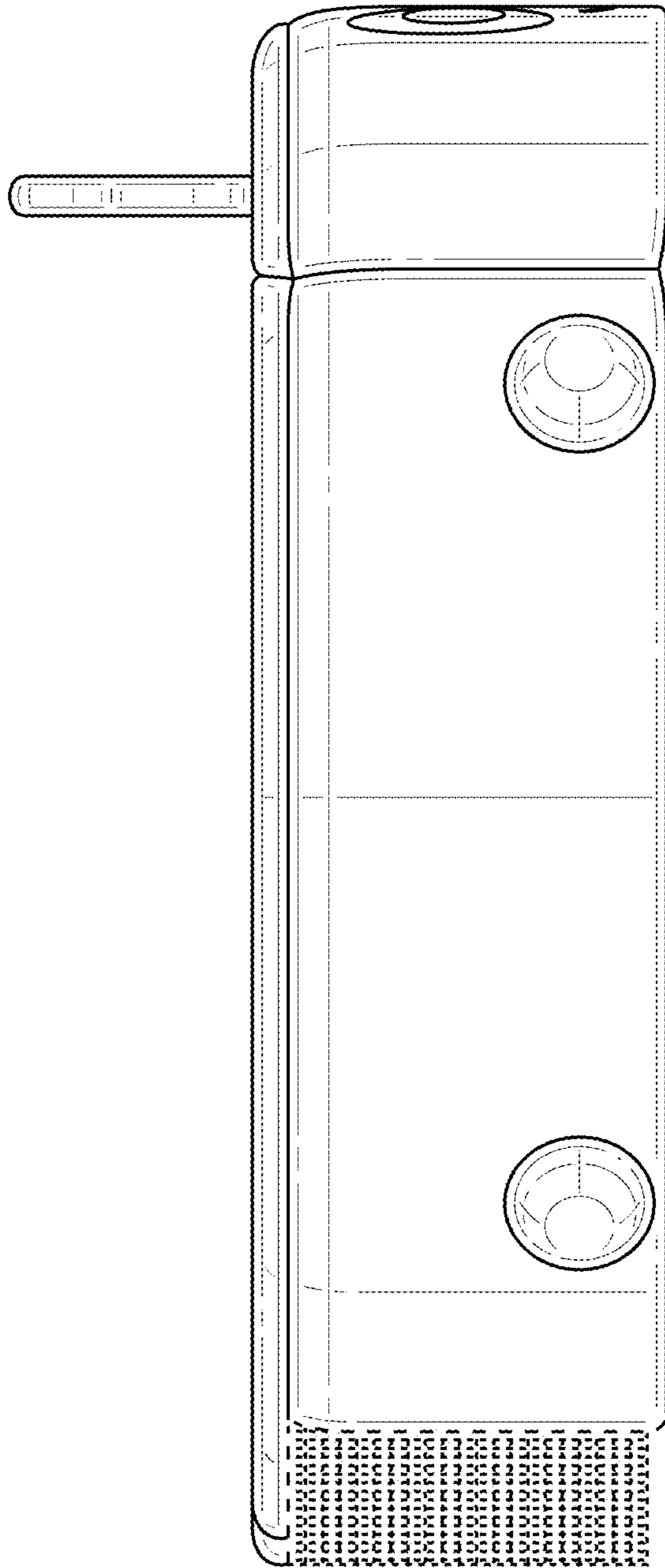


FIG. 5

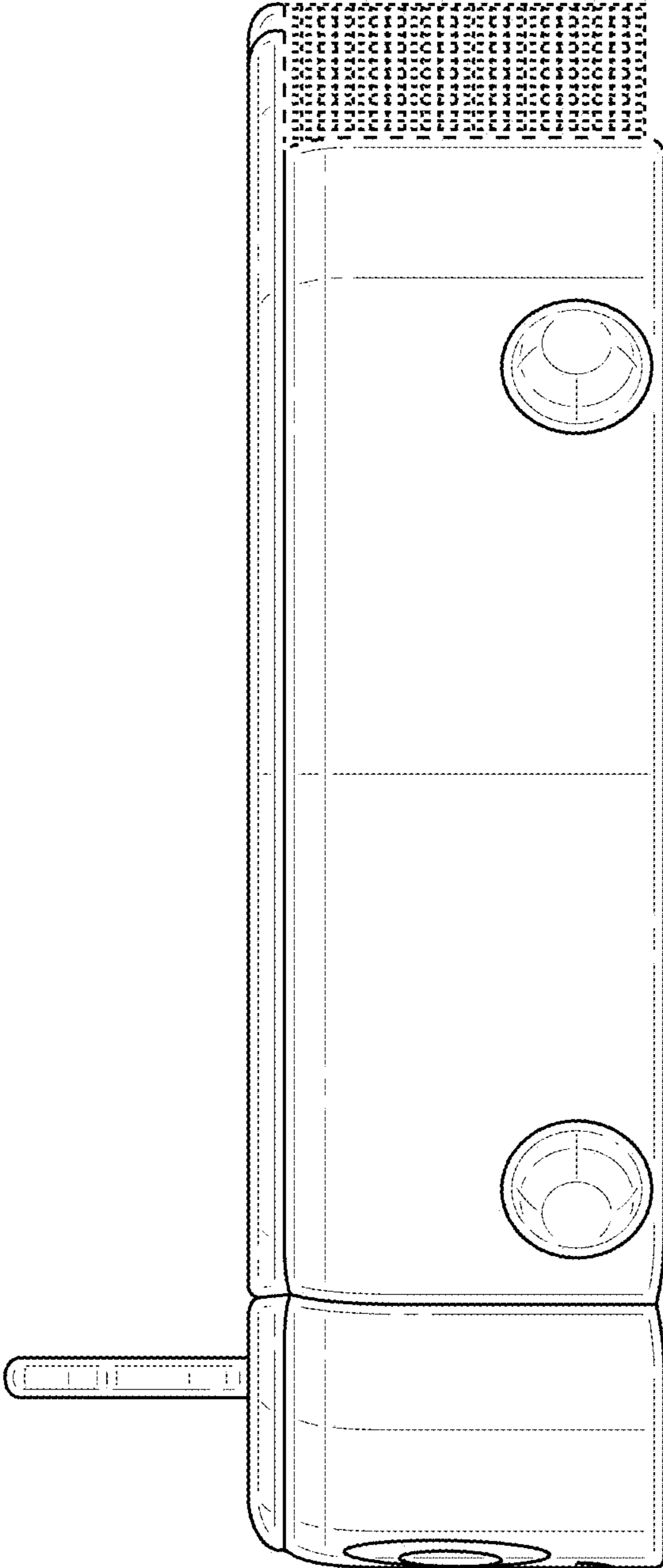


FIG. 6

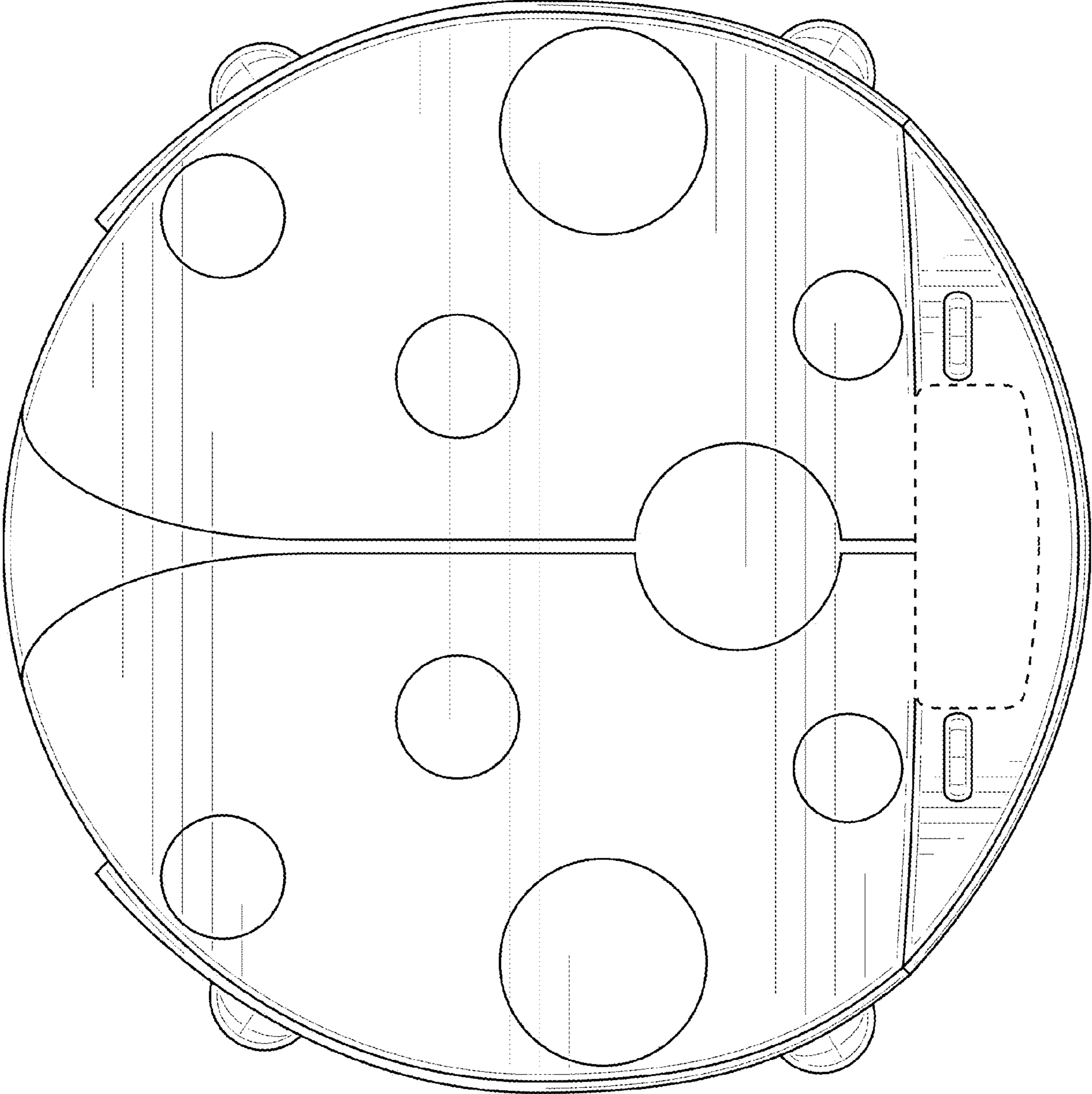


FIG. 7

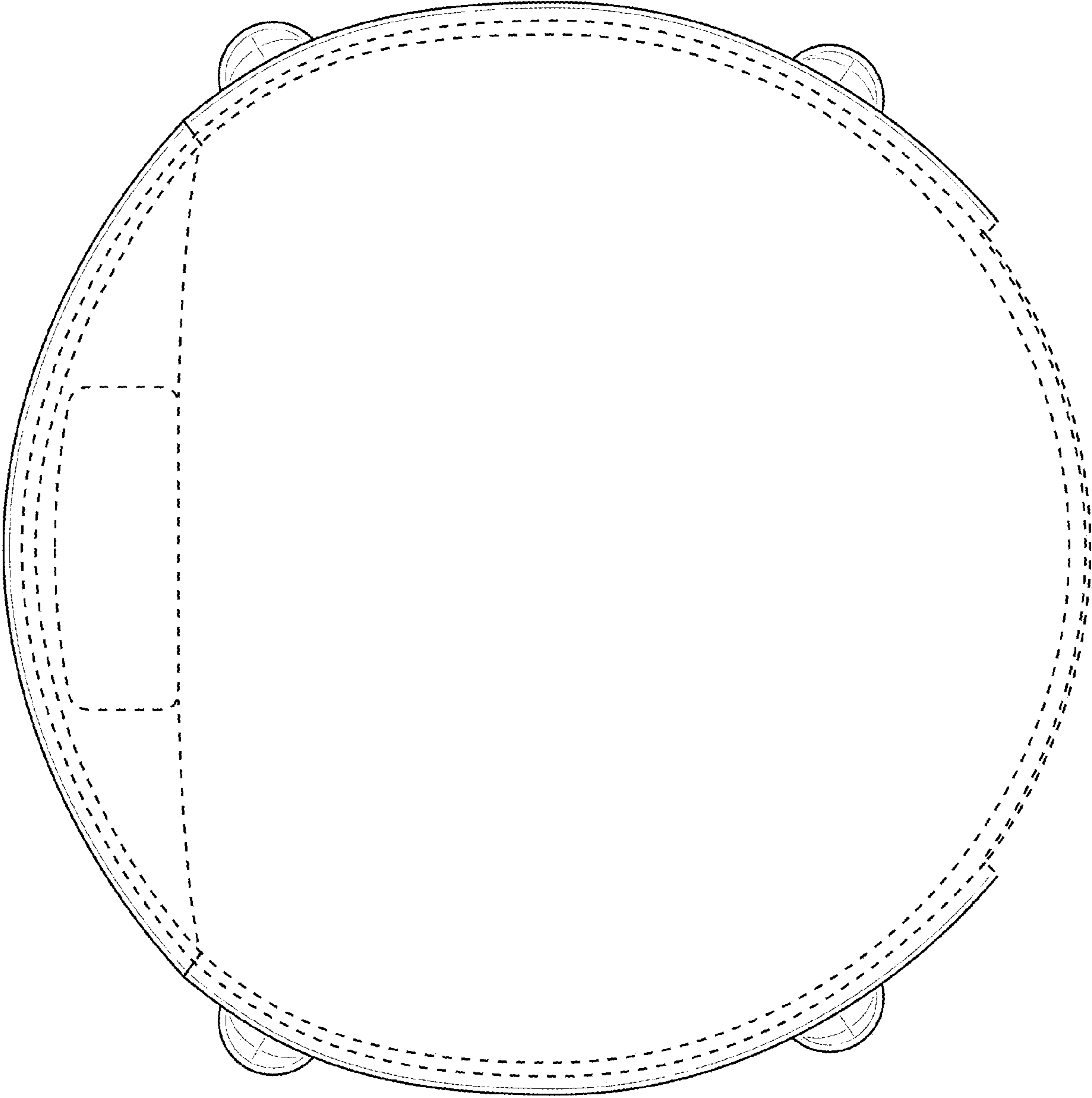


FIG. 8