



US00D940973S

(12) **United States Design Patent**
Yoon et al.

(10) **Patent No.:** **US D940,973 S**
(45) **Date of Patent:** **** Jan. 11, 2022**

(54) **CLEANER**

(71) Applicant: **SAMSUNG ELECTRONICS CO., LTD.**, Suwon-si (KR)

(72) Inventors: **Sanghoon Yoon**, Suwon-si (KR);
Jinsun Park, Suwon-si (KR);
Kangkyung Lee, Suwon-si (KR);
Hwandong Lee, Suwon-si (KR)

(73) Assignee: **SAMSUNG ELECTRONICS CO., LTD.**, Gyeonggi-Do (KR)

(**) Term: **15 Years**

(21) Appl. No.: **29/726,234**

(22) Filed: **Mar. 2, 2020**

(30) **Foreign Application Priority Data**

Sep. 3, 2019 (KR) 30-2019-0042467

(51) **LOC (13) Cl.** **15-05**

(52) **U.S. Cl.**
USPC **D32/22; D32/32**

(58) **Field of Classification Search**
USPC D32/21, 22, 32, 33, 38, 39, 41, 50
(Continued)

(56) **References Cited**

U.S. PATENT DOCUMENTS

D747,580 S * 1/2016 Yun D32/32
D751,780 S * 3/2016 Courtney D32/33
(Continued)

FOREIGN PATENT DOCUMENTS

DE 402015100559-0001 9/2015
EM 002264424-0007 7/2013
(Continued)

OTHER PUBLICATIONS

Tineco Cordless Vacuum Cleaner, available in Amazon.co.uk, date first available Nov. 26, 2020 [online], [site visited Aug. 25, 2021],

Available from the internet URL: https://www.amazon.co.uk/Tineco-Cordless-Cleaner-Handheld-Controls/dp/B07QDQ6HMF?ref_=ast_sto_dp&th=1 (Year: 2020).*

(Continued)

Primary Examiner — Dana K Weiland
Assistant Examiner — Jennylou M Binas

(74) *Attorney, Agent, or Firm* — Cantor Colburn LLP

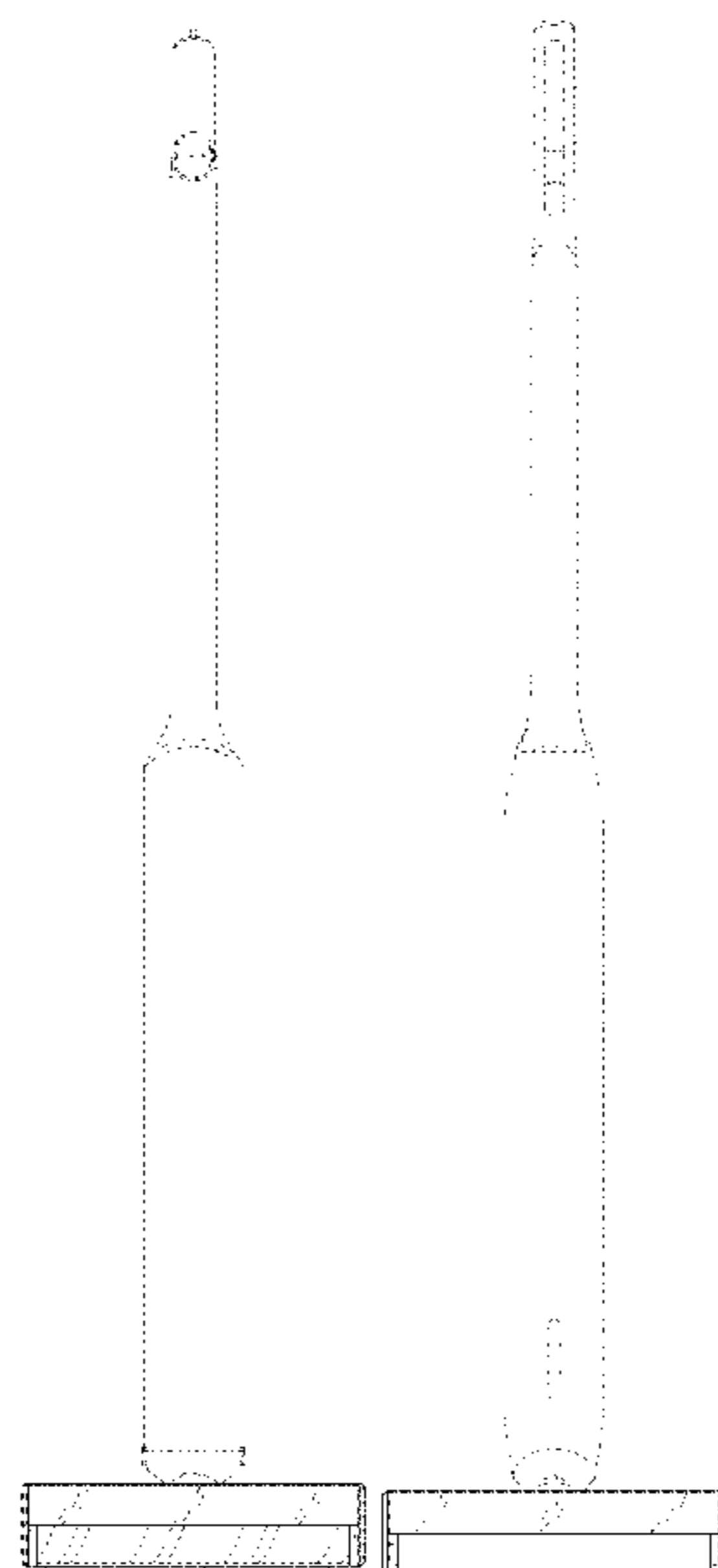
(57) **CLAIM**

The ornamental design for a cleaner, as shown and described.

DESCRIPTION

FIG. 1 is a front perspective view of a first embodiment of a cleaner, showing our new design;
FIG. 2 is a front view thereof;
FIG. 3 is a rear view thereof;
FIG. 4 is a left-side view thereof;
FIG. 5 is a right-side view thereof;
FIG. 6 is a top view thereof;
FIG. 7 is a bottom view thereof;
FIG. 8 is a rear perspective view thereof;
FIG. 9 is a front perspective view of a second embodiment of the cleaner, showing our new design;
FIG. 10 is a front view thereof;
FIG. 11 is a rear view thereof;
FIG. 12 is a left-side view thereof;
FIG. 13 is a right-side view thereof;
FIG. 14 is a top view thereof;
FIG. 15 is a bottom view thereof; and,
FIG. 16 is a rear perspective view thereof.
The broken lines illustrating portions of the cleaner form no part of the claimed design.
The dot-dash broken lines in the figure illustrate a boundary of the claimed design, and form no part of the claimed design.

1 Claim, 14 Drawing Sheets



(58) **Field of Classification Search**

CPC A46B 15/0053; A47L 13/225; A47L 9/02;
 A47L 9/0411; A47L 9/0422; A47L
 9/0461; A47L 9/0693; A47L 9/325; A47L
 11/20; A47L 11/24; A47L 11/26; A47L
 11/302; A47L 11/32; A47L 11/34; A47L
 11/4041; B04C 5/185; B08B 1/002; B08B
 9/035; B60S 1/52; B23Q 11/0046; B23Q
 11/0071; E01H 1/0854; E04H 4/1636

See application file for complete search history.

(56) **References Cited**

U.S. PATENT DOCUMENTS

D814,724	S	*	4/2018	Courtney	D32/32
D836,273	S	*	12/2018	Nam	D32/32
D836,274	S	*	12/2018	Nam	D32/32
D836,867	S	*	12/2018	Nam	D32/32
D836,868	S	*	12/2018	Nam	D32/32
D839,517	S	*	1/2019	Nam	D32/32
D839,518	S	*	1/2019	Nam	D32/32
D839,519	S	*	1/2019	Nam	D32/33
D848,099	S	*	5/2019	Nam	D32/32
D879,397	S	*	3/2020	Kim	D32/32
D912,344	S	*	3/2021	Choi	D32/22
D912,345	S	*	3/2021	Uim	D32/22
D922,015	S	*	6/2021	Polden	D32/32
D927,809	S	*	8/2021	Kim	D32/32

FOREIGN PATENT DOCUMENTS

KR	300946157	S	3/2018
KR	300962429	S	6/2018
KR	301007374	S	5/2019
RU	00096661	*	12/2015
WO	D212175-002	*	7/2021

OTHER PUBLICATIONS

Moolan Cordless Vacuum Cleaner, available in Amazon.co.uk, date first available Apr. 7, 2021 [online], [site visited Aug. 25, 2021], Available from the internet URL: https://www.amazon.co.uk/Moolan-Cordless-Lightweight-Portable-Handheld/dp/B08SQTHC51?ref_ast_sto_dp (Year: 2021).*

Samsung Jet 70 Complete Vacuum Cleaner, available in Amazon.co.uk, date first available Sep. 17, 2020 [online], [site visited Aug. 25, 2021], Available from the internet URL: https://www.amazon.co.uk/Samsung-VS15T7036R5/dp/B08JCXJY3G/ref=sr_1_3?dchild=1&keywords=samsung+jet&qid=1629903571&s=kitchen&sr=1-3 (Year: 2020).*

Jet Stick Vacuum, available in Samsung.com, announced Year 2020 [online], [site visited Oct. 30, 2020], Available from the internet URL: <https://www.samsung.com/us/home-appliances/vacuums/jet-stick/> (Year: 2020).*

* cited by examiner

FIG. 1

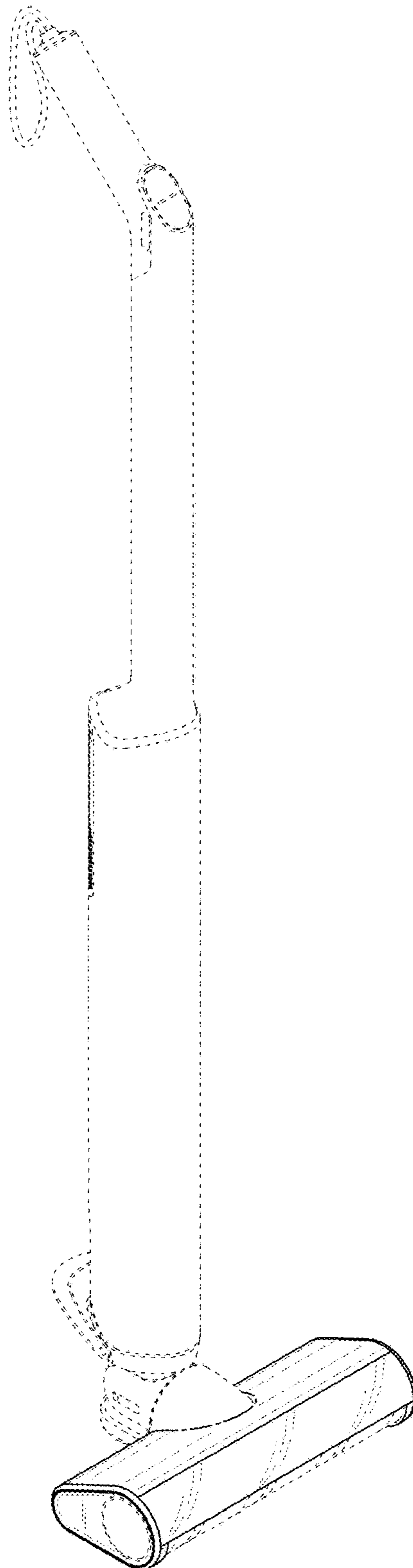


FIG. 2

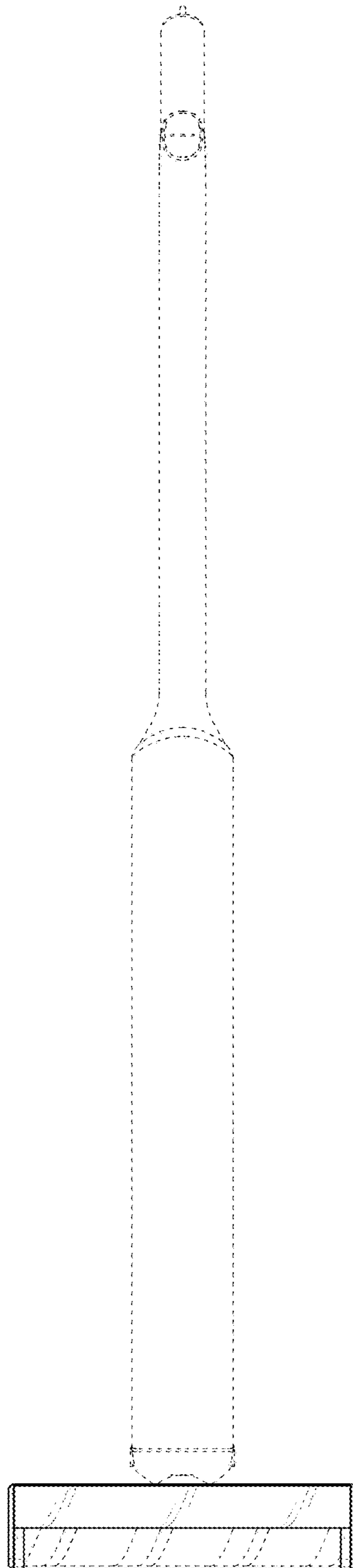


FIG. 3

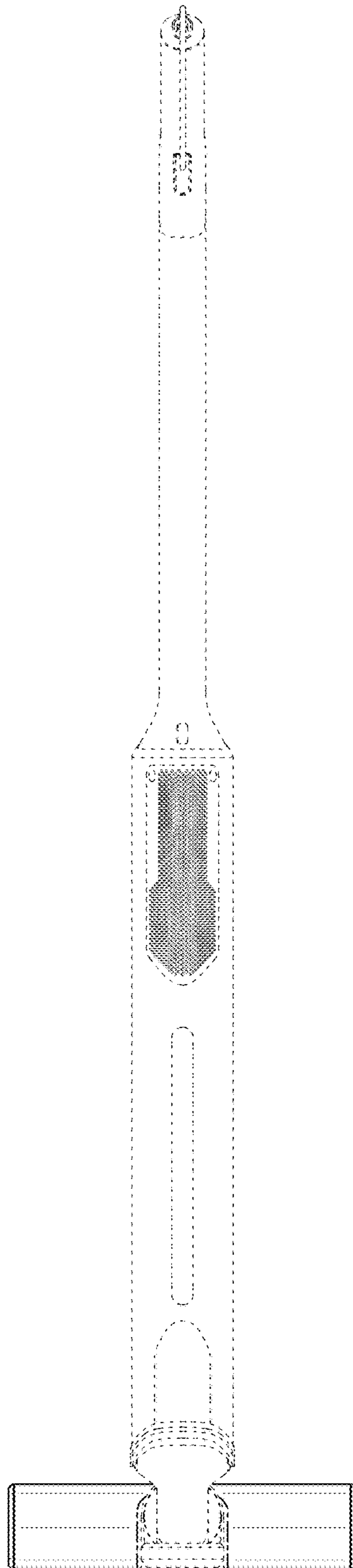


FIG. 4

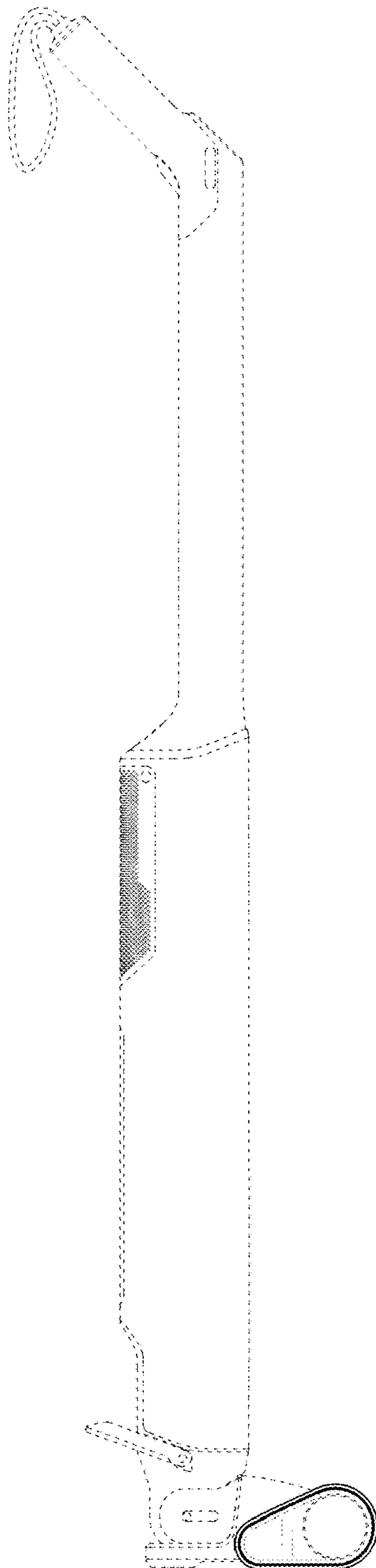


FIG. 5

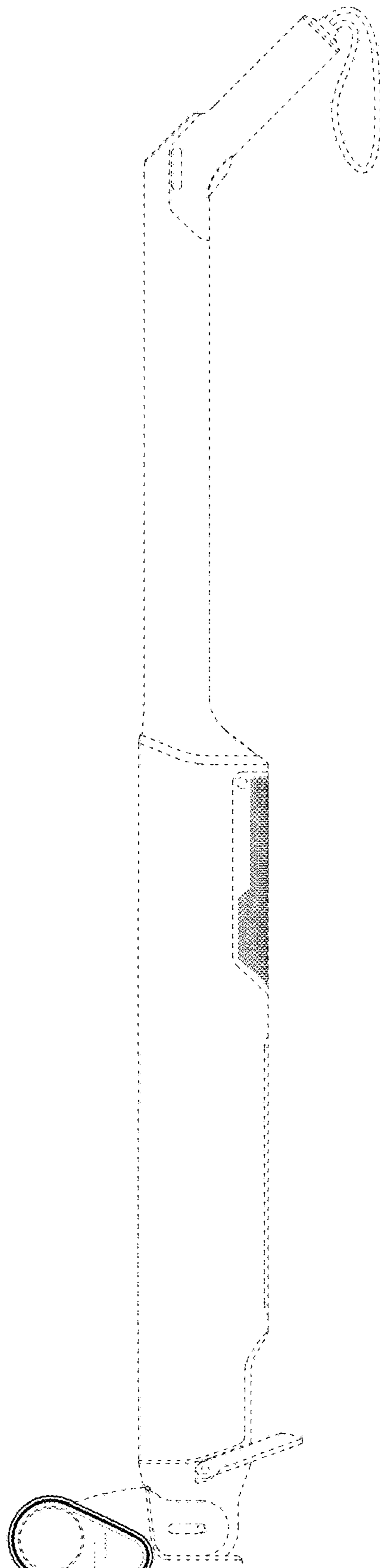


FIG. 6

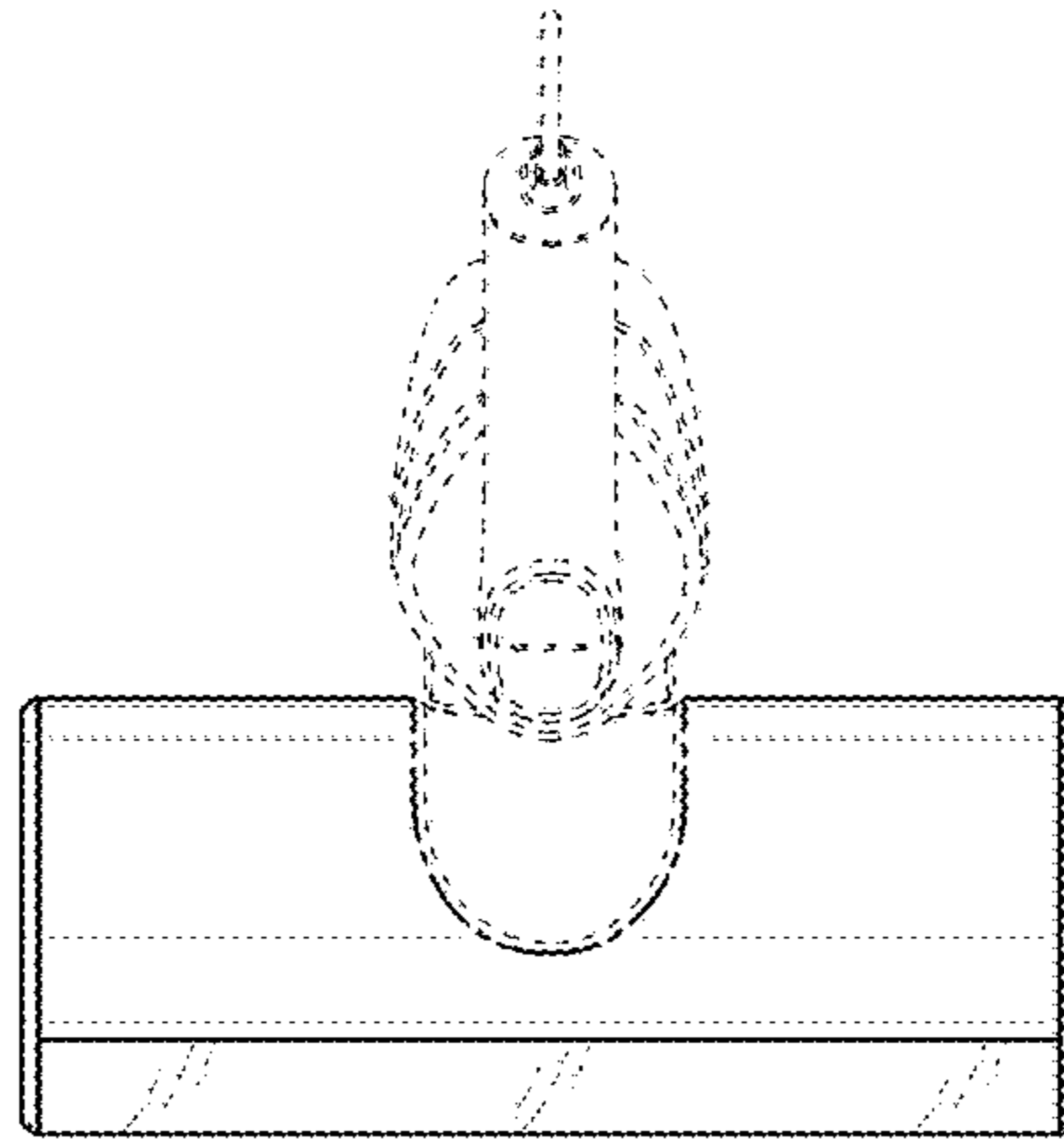


FIG. 7

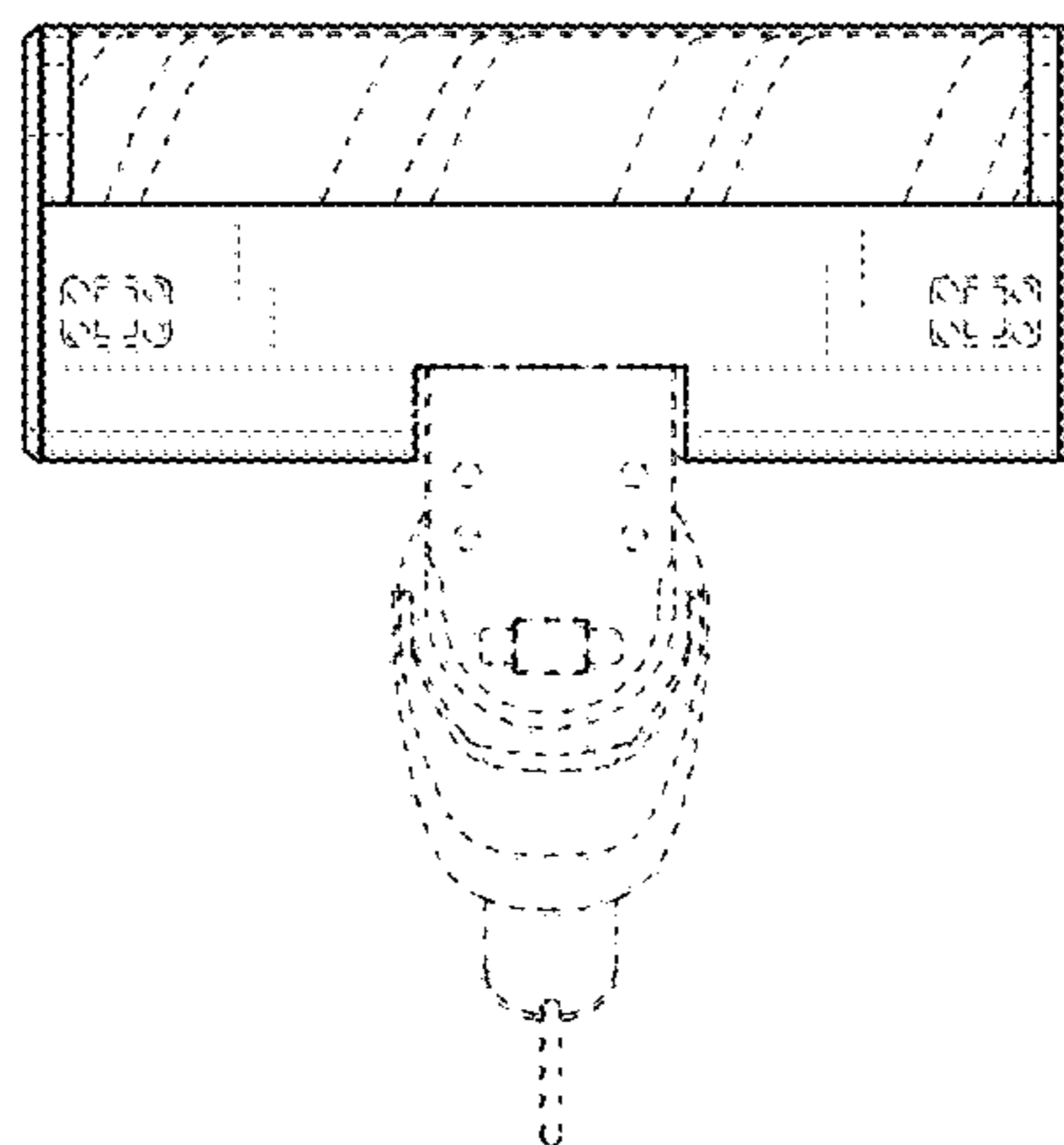


FIG. 8

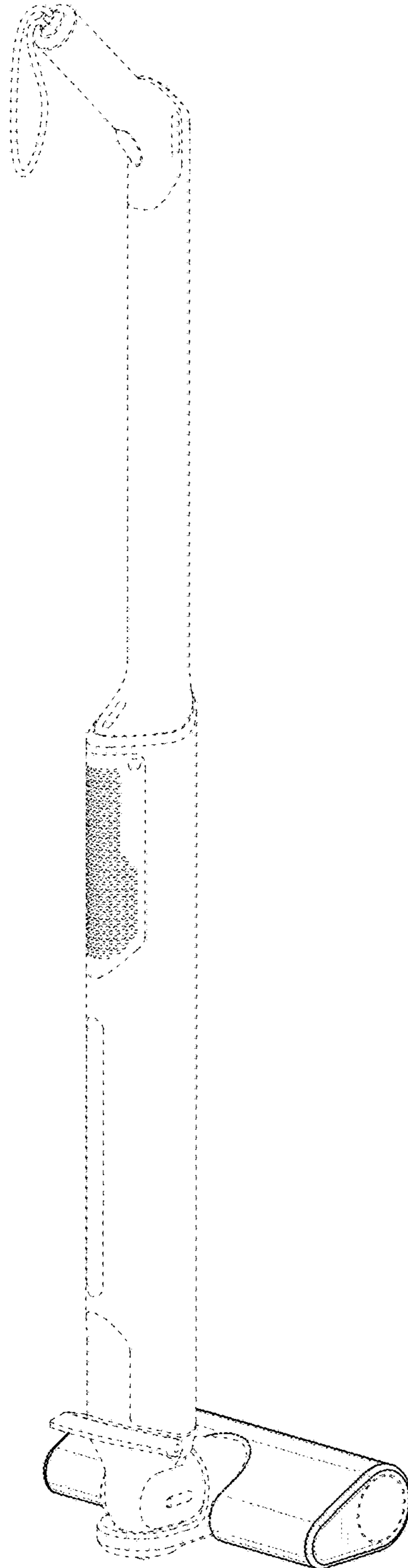


FIG. 9

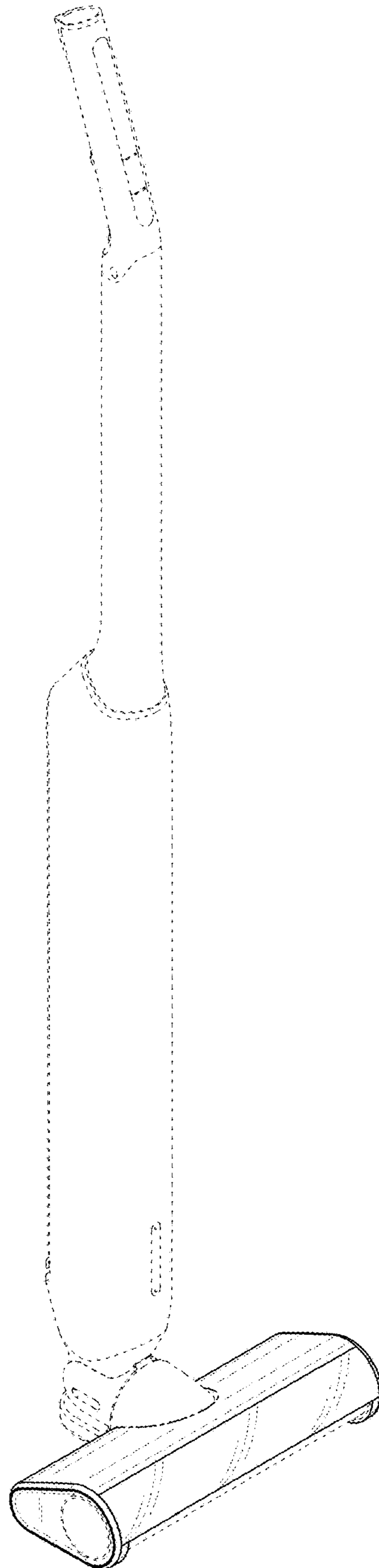


FIG. 10

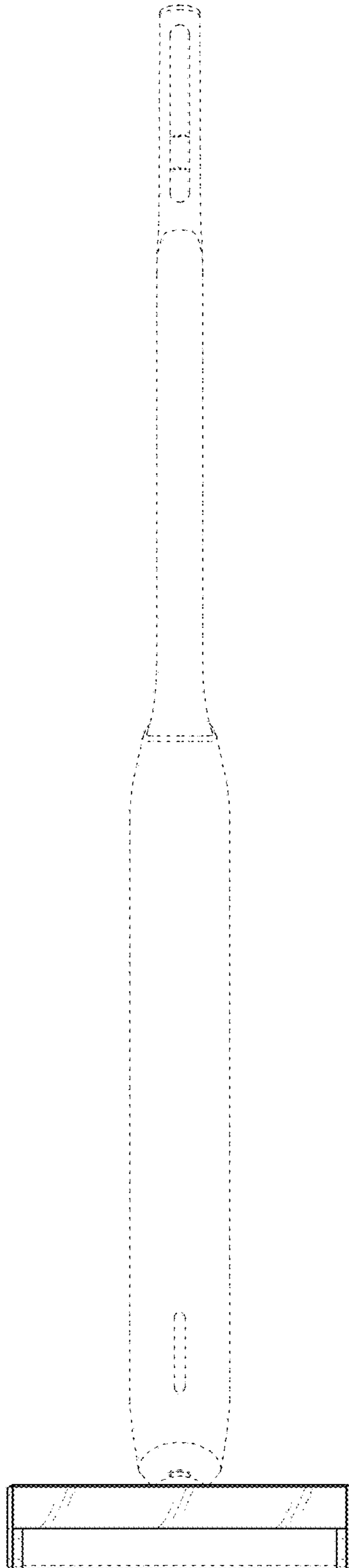


FIG. 11

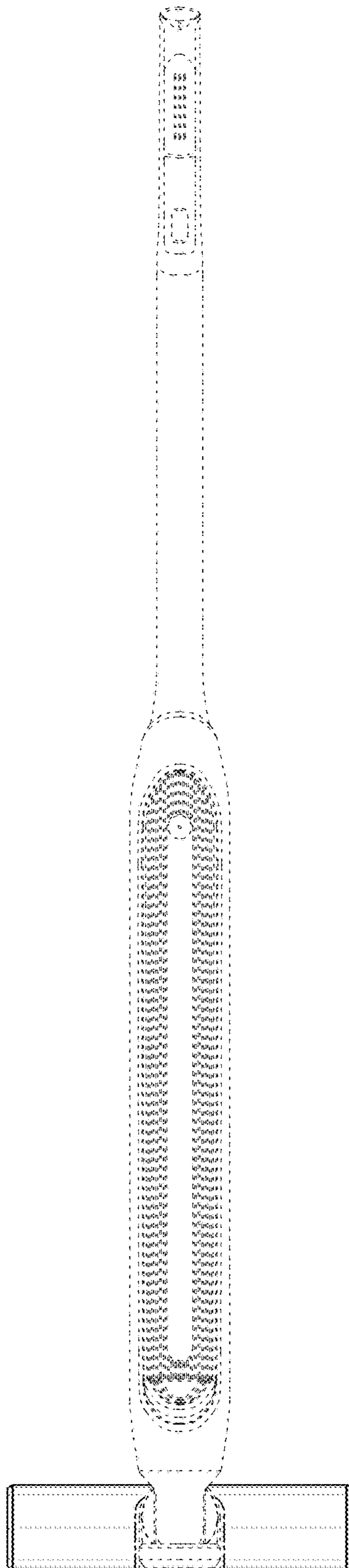


FIG. 12

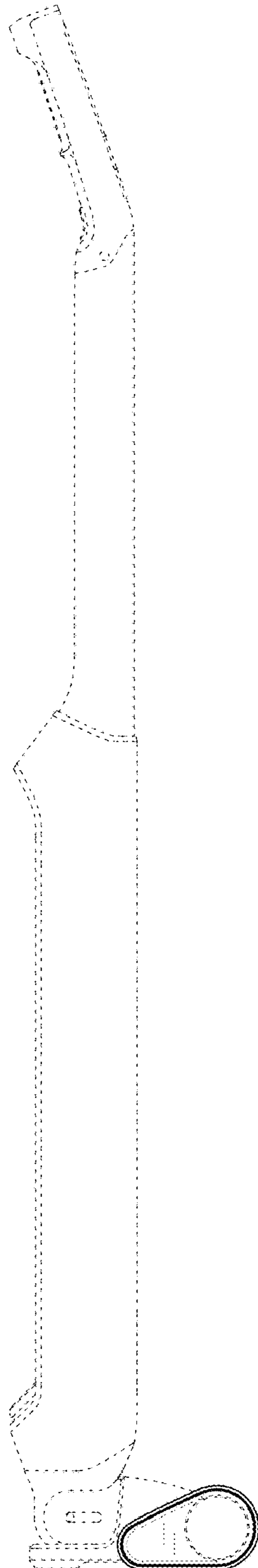


FIG. 13

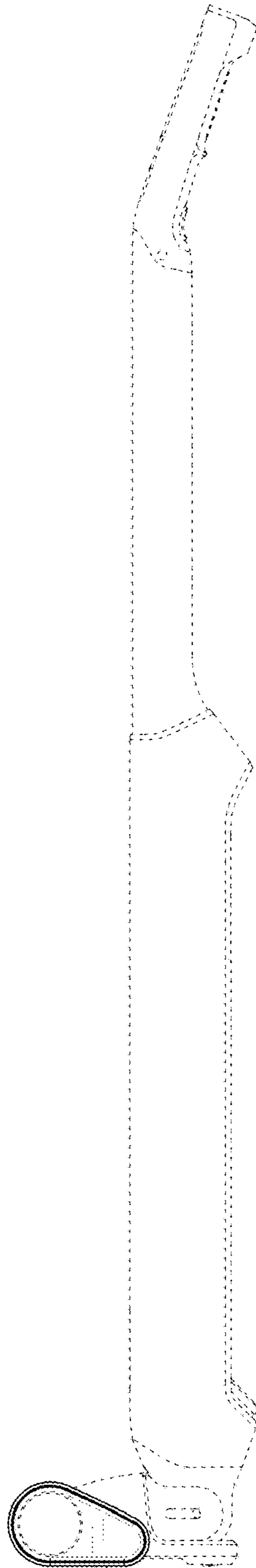


FIG. 14

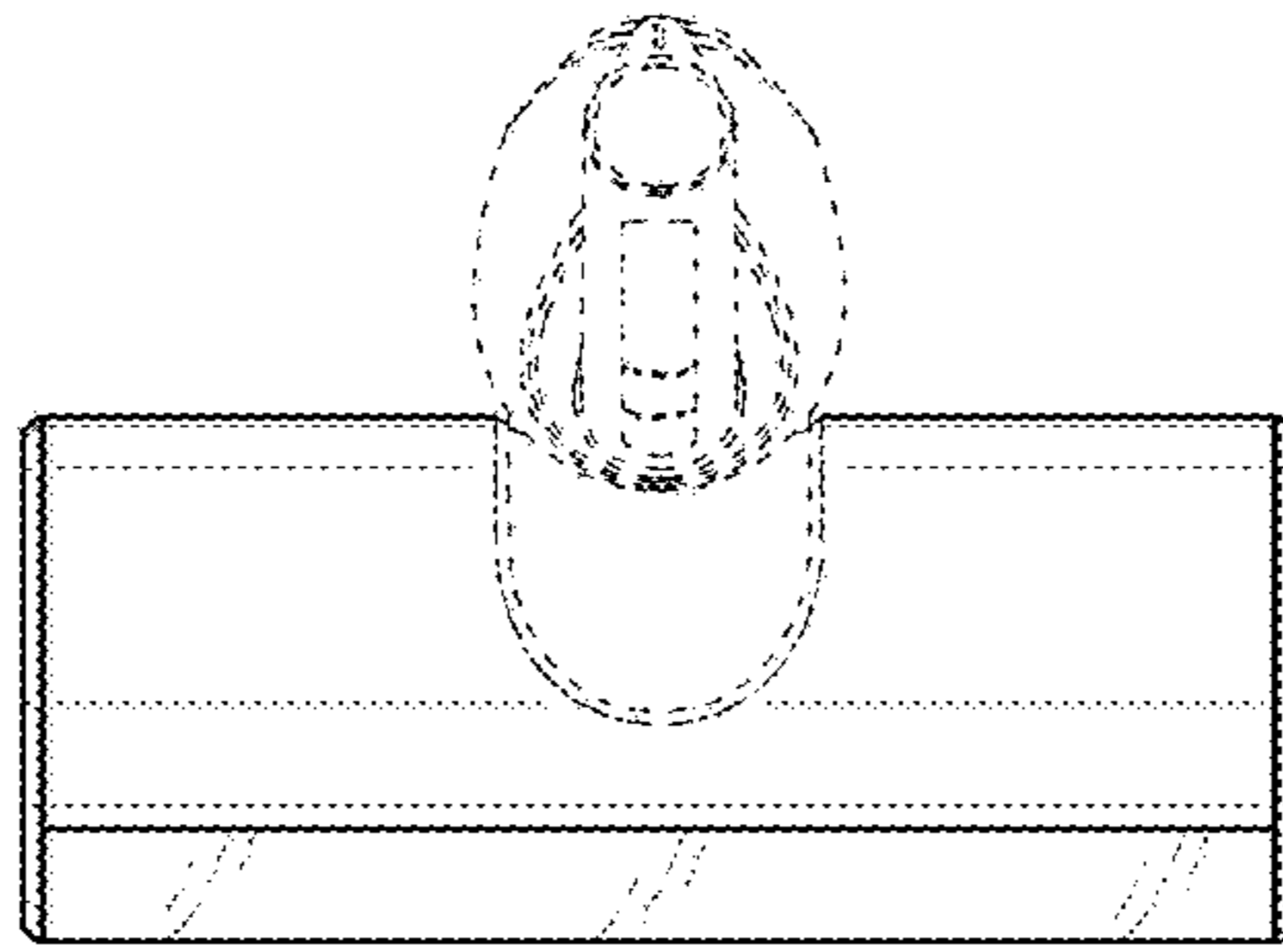


FIG. 15

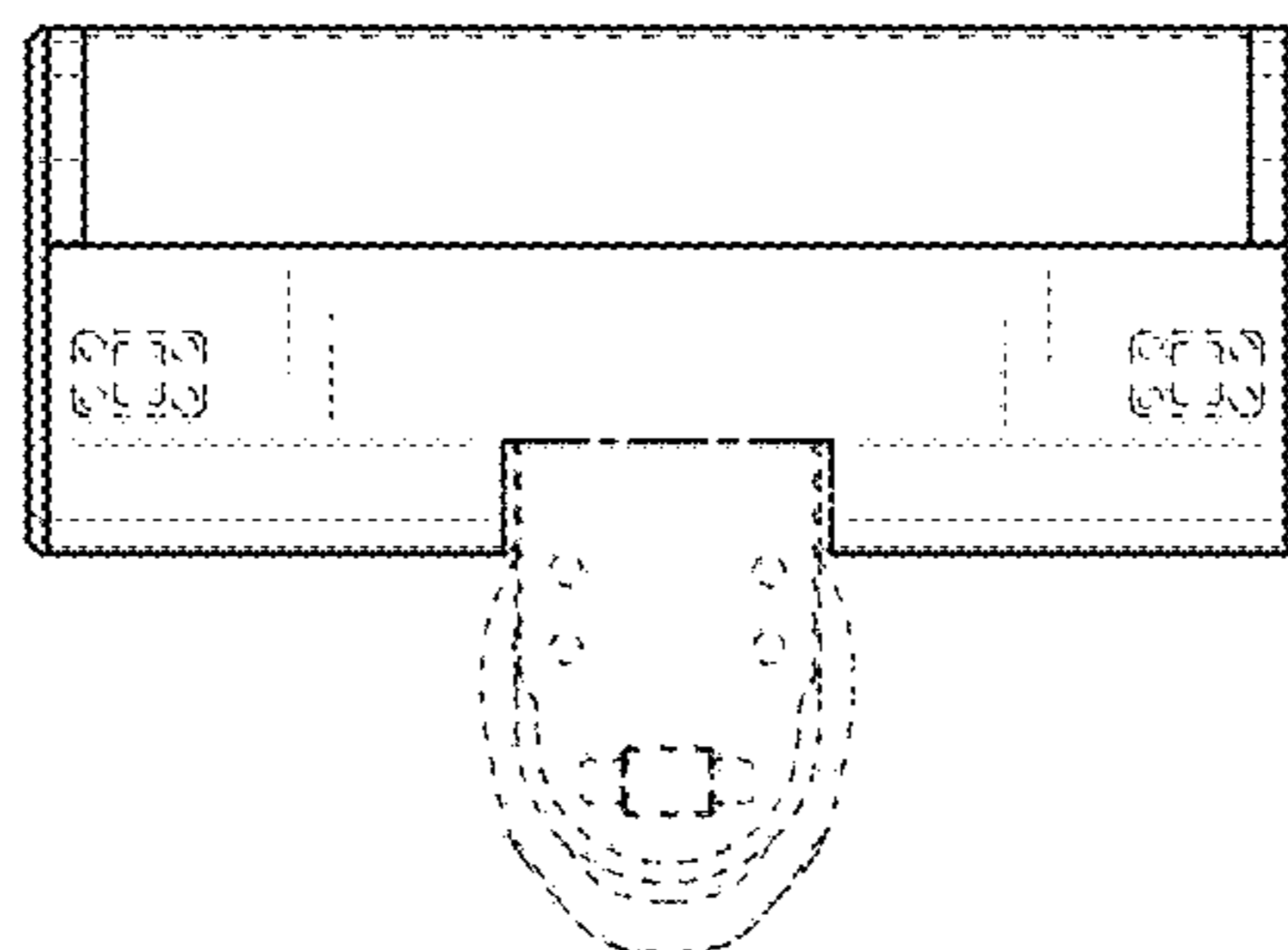


FIG. 16

