

US00D940972S

(12) **United States Design Patent**
Pei

(10) **Patent No.:** **US D940,972 S**

(45) **Date of Patent:** **** Jan. 11, 2022**

(54) **FLOOR CLEANING MACHINE**

(71) Applicant: **Cunzhu Pei**, Anhui (CN)

(72) Inventor: **Cunzhu Pei**, Anhui (CN)

(**) Term: **15 Years**

(21) Appl. No.: **29/720,989**

(22) Filed: **Jan. 16, 2020**

(30) **Foreign Application Priority Data**

Aug. 26, 2019 (CN) 201930466017.X

(51) **LOC (13) Cl.** **15-05**

(52) **U.S. Cl.**
USPC **D32/22**

(58) **Field of Classification Search**
USPC D32/17, 18, 21, 22, 23, 24, 31; D21/526
CPC A46B 9/06; A47L 5/24; A47L 5/28; A47L
5/30; A47L 5/34; A47L 7/0004; A47L
9/04; A47L 9/325; A47L 9/1683; A47L
11/302; A47L 11/34; A47L 11/4005;
A47L 11/4008; A47L 11/4016; A47L
11/4041; A47L 11/4044; A47L 11/4088;
A47L 13/225; B04C 5/185; B08B 3/04;
B23Q 11/0046; B23Q 11/0071; E04H
4/1636

See application file for complete search history.

(56) **References Cited**

U.S. PATENT DOCUMENTS

D440,018 S *	4/2001	Oh	D32/22
D533,697 S *	12/2006	Ikeno	D32/22
D537,584 S *	2/2007	Greene	D32/22
D588,760 S *	3/2009	Chun	D32/22
D610,317 S *	2/2010	Lee	D32/22
D768,944 S *	10/2016	Zhang	D32/22
D775,440 S *	12/2016	Kwon	D32/22
D783,912 S *	4/2017	Shin	D32/22
D789,004 S *	6/2017	Boehler	D32/22
D789,626 S *	6/2017	Bloemendaal	D32/22
D791,421 S *	7/2017	Wu	D32/31

D792,668 S *	7/2017	Yoon	D32/22
D794,880 S *	8/2017	Zhou	D32/22
D824,615 S *	7/2018	Bloemendaal	D32/22
D836,863 S *	12/2018	Theising	D32/22
D844,267 S *	3/2019	Zhou	D32/22

(Continued)

FOREIGN PATENT DOCUMENTS

JP	D1656921	*	4/2020
JP	D1656958	*	4/2020

OTHER PUBLICATIONS

Bissell 1538A Powerglide Cordless Vacuum Cleaner, available in Amazon.co.uk, date first available Sep. 1, 2015 [online], [site visited Apr. 20, 2021], Available from the internet . . . URL: https://www.amazon.co.uk/BISSELL-Powerglide-Cordless-Vacuum-Cleaner/dp/B010X3VN9U/ref-sr_1_17?dchild=1&keywords=BISSELL+Aeroswift+Compact+Vacuum&qid=1619134425&sr=8-17 (Year: 2015).*

(Continued)

Primary Examiner — Dana K Weiland
Assistant Examiner — Jennylou M Binas
(74) *Attorney, Agent, or Firm* — JCIP Global Inc.

(57) **CLAIM**

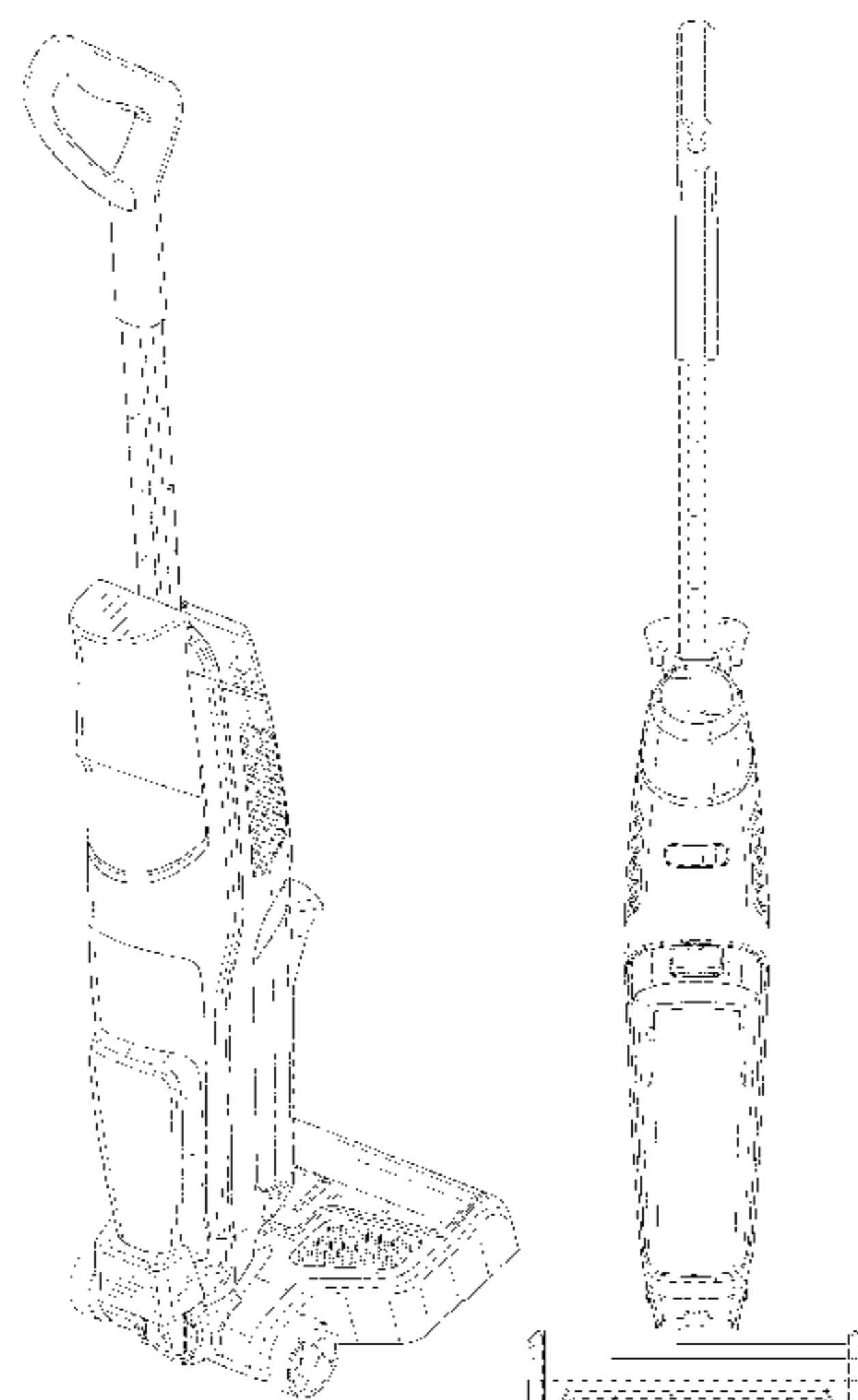
The ornamental design for a floor cleaning machine, as shown and described.

DESCRIPTION

FIG. 1 is a perspective view of a floor cleaning machine showing my new design;
FIG. 2 is a front view thereof;
FIG. 3 is a rear view thereof;
FIG. 4 is a left side view thereof;
FIG. 5 is a right side view thereof;
FIG. 6 is a top view thereof; and,
FIG. 7 is a bottom view thereof.

The broken line portions of the floor cleaning machine shown in the drawings form no part of the claimed design.

1 Claim, 6 Drawing Sheets



(56)

References Cited

U.S. PATENT DOCUMENTS

D870,995 S * 12/2019 Burgess D32/22
 D874,762 S * 2/2020 Tang D32/22
 D875,335 S * 2/2020 Sagkob D32/22
 D876,036 S * 2/2020 Irfan D32/22
 D876,037 S * 2/2020 McRorie D32/22
 D877,430 S * 3/2020 Hooley D32/22
 D910,945 S * 2/2021 Miller D32/31
 D911,646 S * 2/2021 DeBeck D32/45
 D917,810 S * 4/2021 Knapp D32/22
 11,013,389 B2 * 5/2021 Resch A47L 11/145
 11,019,966 B2 * 6/2021 Ashbaugh F26B 21/001
 D926,401 S * 7/2021 Knapp D32/22
 D926,405 S * 7/2021 Haverkamp D32/31
 2016/0113462 A1 * 4/2016 Khalil A47L 9/1658
 15/353
 2017/0135540 A1 * 5/2017 Newsom A47L 9/04
 2017/0172366 A1 * 6/2017 Rukavina A47L 9/122
 2020/0060494 A1 * 2/2020 Lydic A47L 11/4041
 2020/0060496 A1 * 2/2020 Dawson A47L 11/4005
 2020/0390302 A1 * 12/2020 Davila A47L 9/0494

2021/0153708 A1 * 5/2021 Xia A46B 1/00
 2021/0186283 A1 * 6/2021 Nguyen A47L 9/0477
 2021/0186291 A1 * 6/2021 Nguyen A47L 11/302
 2021/0228046 A1 * 7/2021 Nguyen A47L 11/302
 2021/0244253 A1 * 8/2021 Miller A47L 11/02

OTHER PUBLICATIONS

Tineco Floor One S3 Smart Cordless Wet Dry Vacuum Cleaner, available in Amazon.ca, date first available Mar. 7, 2020 [online], [site visited Apr. 20, 2021], Available from the internet . . . URL: https://www.amazon.ca/Bissell-1543E-Symphony-Vacuum-Purple/dp/B073PCJ4SL/ref=sr_1_5?dchild=1&keywords=Bissell+Symphony+All-in-One+P%E2%80%A6 (Year: 2020).*

Bissell 1543E Symphony Pet All-in-One Vacuum and Steam Mop, available in Amazon.ca, date first available Jul. 3, 2017 [online], [site visited Apr. 20, 2021], Available from the internet URL: https://www.amazon.ca/Bissell-1543E-Symphony-Vacuum-Purple/dp/B073PCJ4SL/ref=sr_1_5?dchild=1&keywords=Bissell+Symphony+All-in-One+P%E2%80%A6 (Year: 2017).*

* cited by examiner

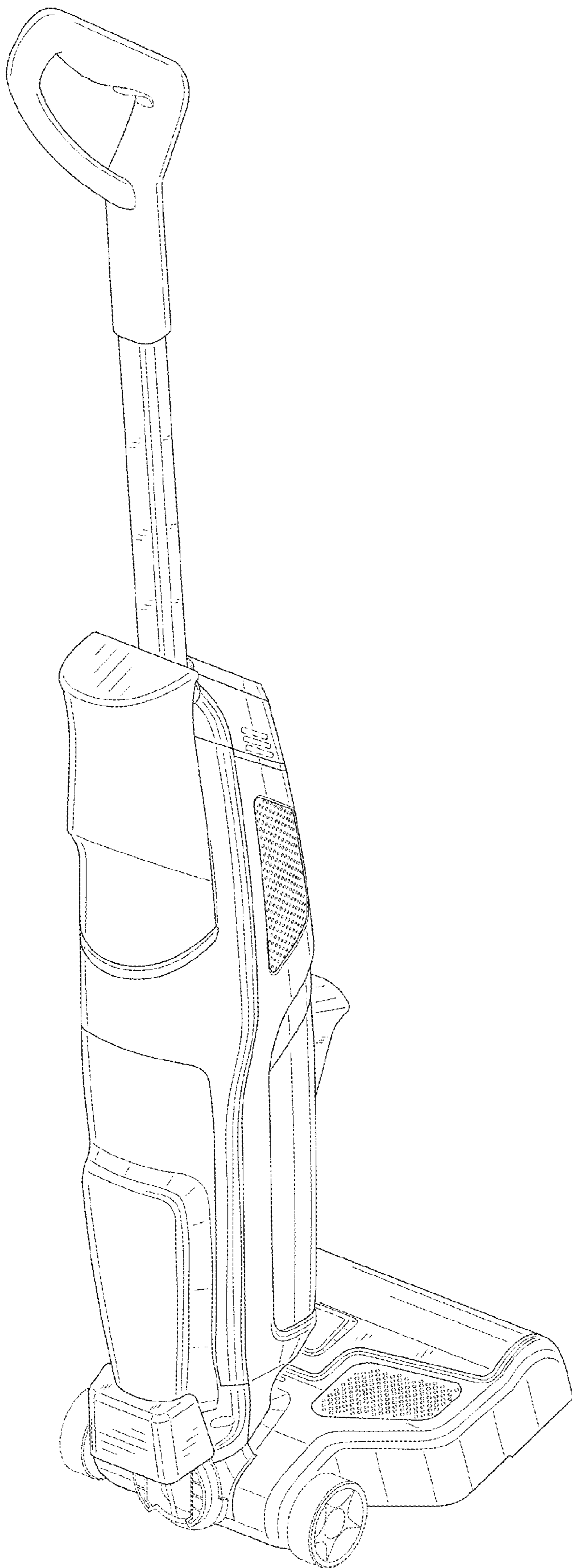


FIG. 1

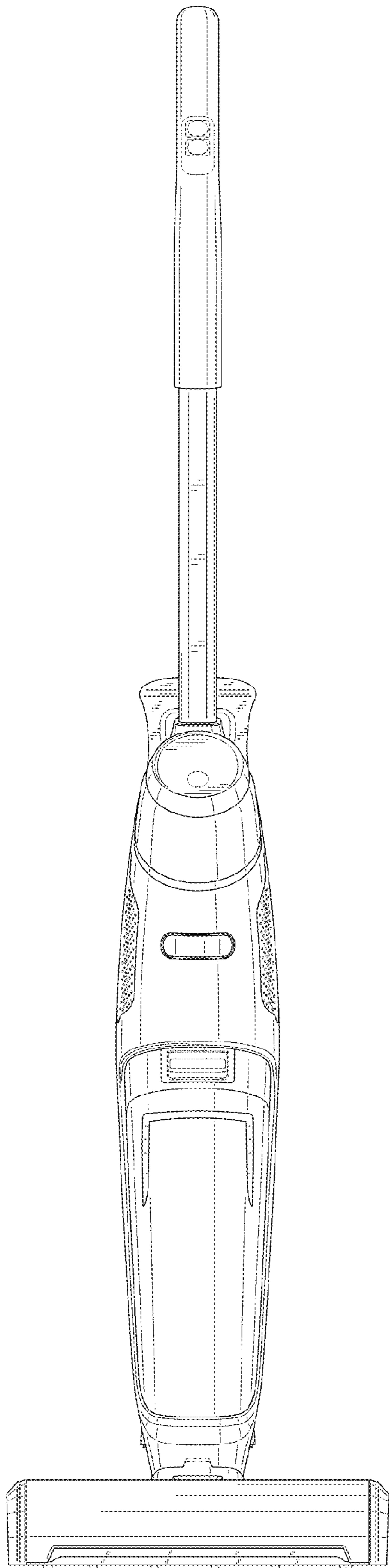


FIG. 2

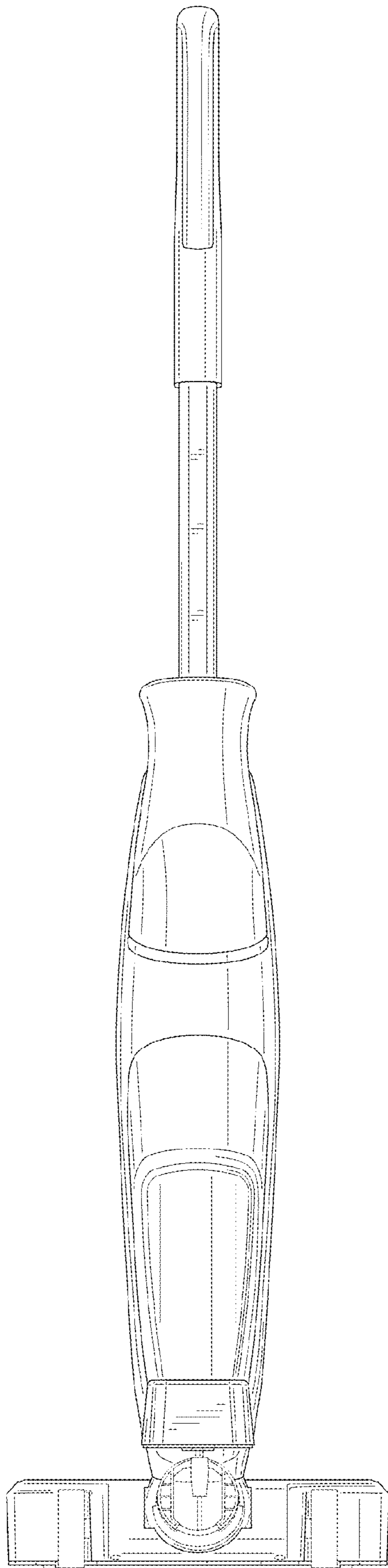


FIG. 3

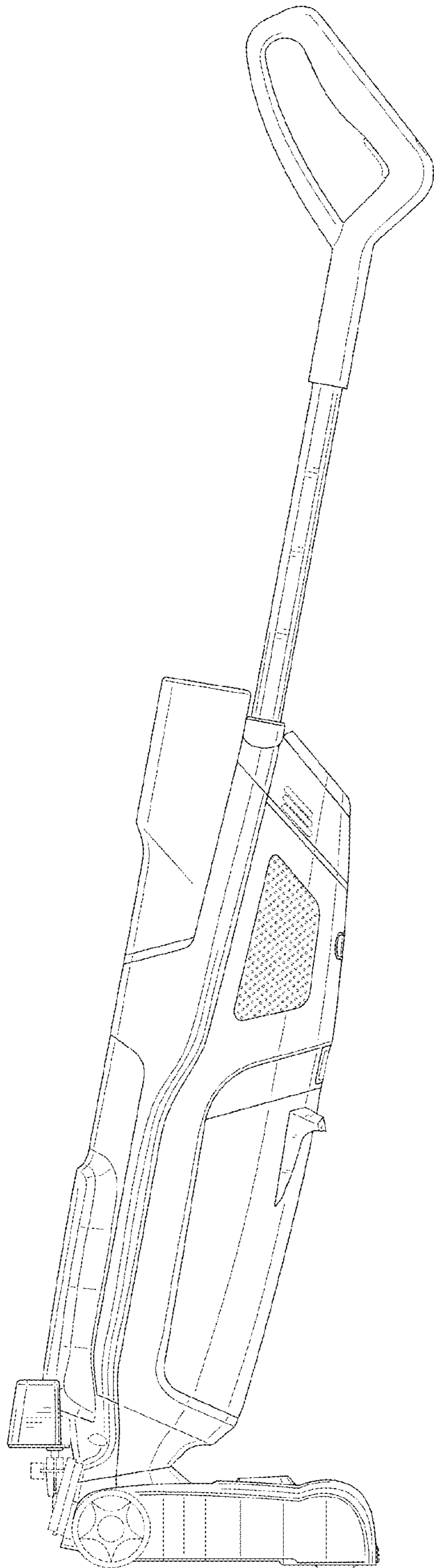


FIG. 4

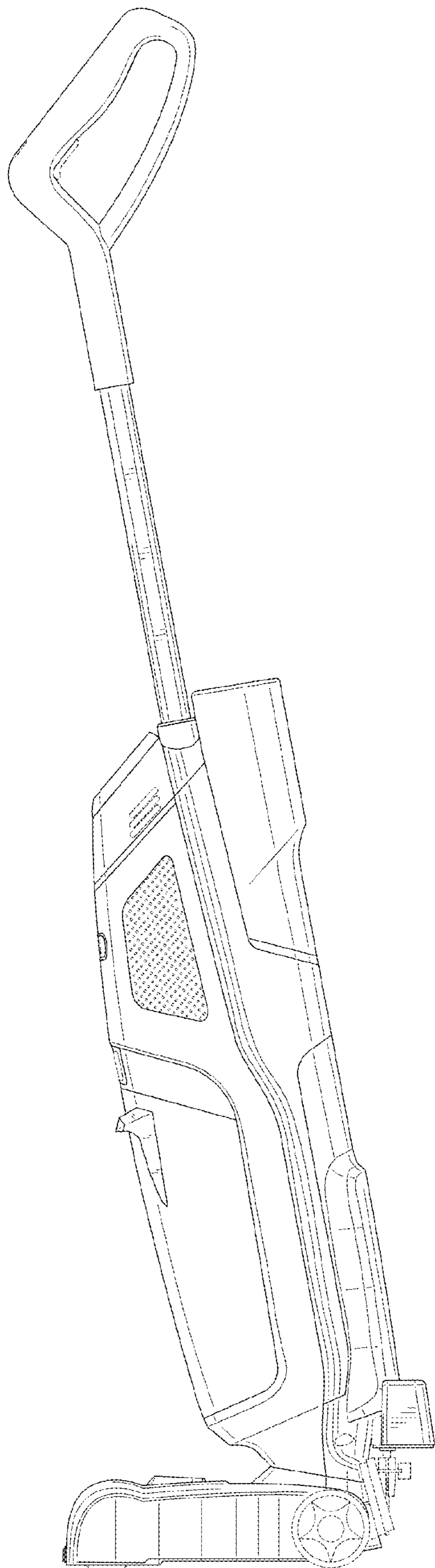


FIG. 5

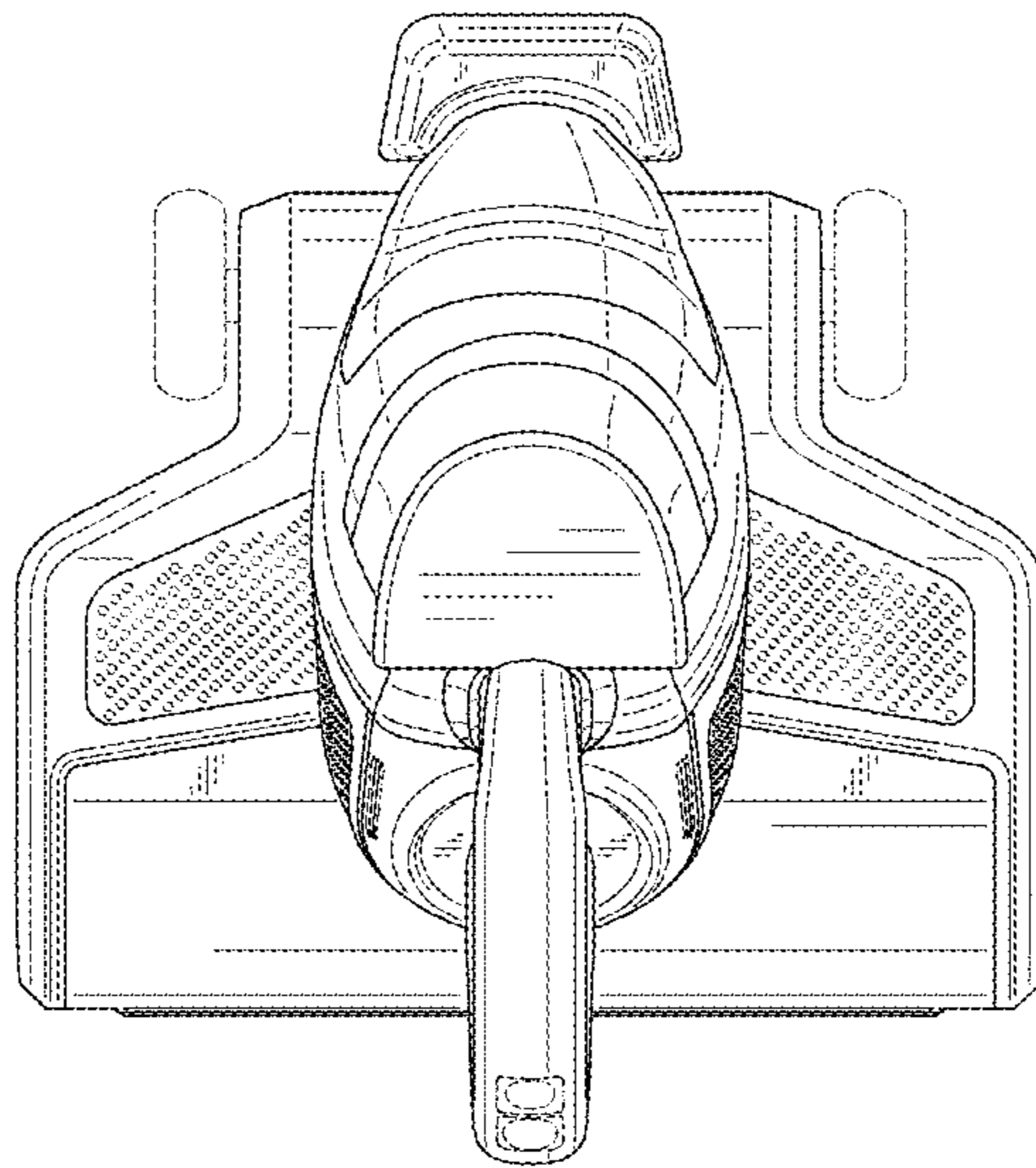


FIG. 6

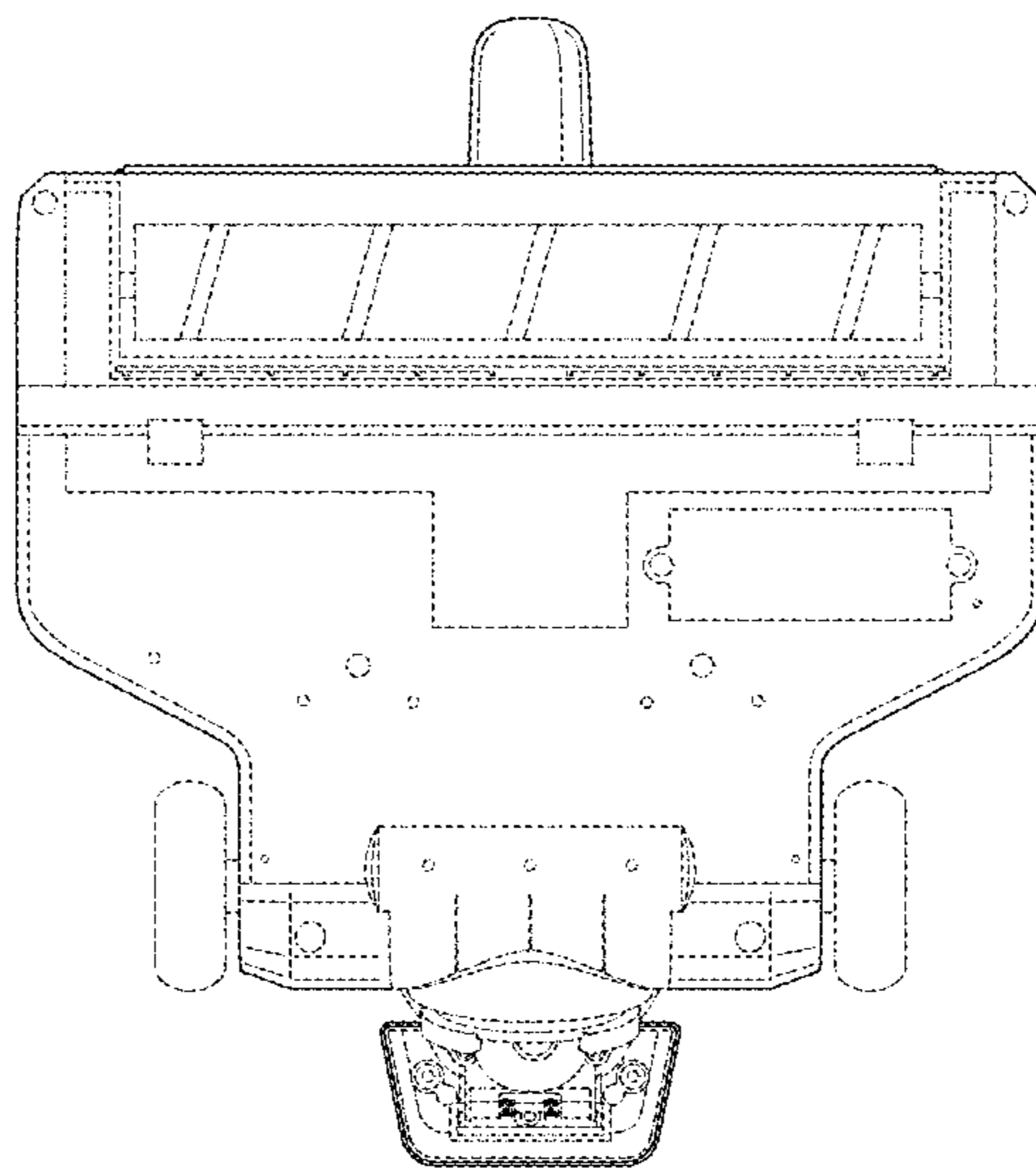


FIG. 7