



US00D940971S

(12) **United States Design Patent**
Yang

(10) **Patent No.:** **US D940,971 S**

(45) **Date of Patent:** **** Jan. 11, 2022**

(54) **GARMENT STEAMER**

(71) Applicant: **Shenzhen 1Byone Technology Co., Ltd.**, Guangdong (CN)

(72) Inventor: **Ruishi Yang**, Guangdong (CN)

(**) Term: **15 Years**

(21) Appl. No.: **29/679,199**

(22) Filed: **Feb. 4, 2019**

(51) **LOC (13) Cl.** **15-05**

(52) **U.S. Cl.**
USPC **D32/17**

(58) **Field of Classification Search**
USPC D32/1, 15-16, 17, 18, 21, 22, 31-34, 68, D32/70, 71, 73; 38/1 R, 2, 12, 15, 17, 38/69, 74-74, 77.1, 77.9, 79, 88, 90
CPC . A47L 5/24; A47L 5/362; A47L 15/28; A47L 9/325; A47L 9/2857; A47L 9/1427; A47L 15/14; A47L 9/2884; A47L 9/1666; A47L 9/1683; A47L 9/1625; A47L 9/22; B01D 50/002; B01D 45/12; B01D 46/4254; B01D 46/10; D06F 87/00; D06F 75/30; D06F 75/12; D06F 75/20; D06F 73/00; D06F 59/02; D06F 59/08; A41L 5/24
See application file for complete search history.

(56) **References Cited**

U.S. PATENT DOCUMENTS

D525,399 S * 7/2006 Alday Lesaga D32/17
D648,494 S * 11/2011 Vrdoljak D32/17

D648,495 S * 11/2011 Ediger D32/17
D670,876 S * 11/2012 Vrdoljak D32/17
D776,887 S * 1/2017 Deffrennes D32/17
9,845,568 B2 * 12/2017 Fung D06F 75/10
D822,027 S * 7/2018 Jenkins D14/428
D826,492 S * 8/2018 Huang D32/17
D838,066 S * 1/2019 Peng D32/17
D842,559 S * 3/2019 Yang D32/17
D844,263 S * 3/2019 Ediger D32/17
D857,313 S * 8/2019 Smith D32/17
2011/0173848 A1 * 7/2011 Lin D06F 87/00
38/14
2012/0131822 A1 * 5/2012 Pan D06F 75/12
38/3

* cited by examiner

Primary Examiner — Manpreet S Matharu

Assistant Examiner — Yolanda Robinson

(74) *Attorney, Agent, or Firm* — Prakash Nama; Global IP Services, PLLC

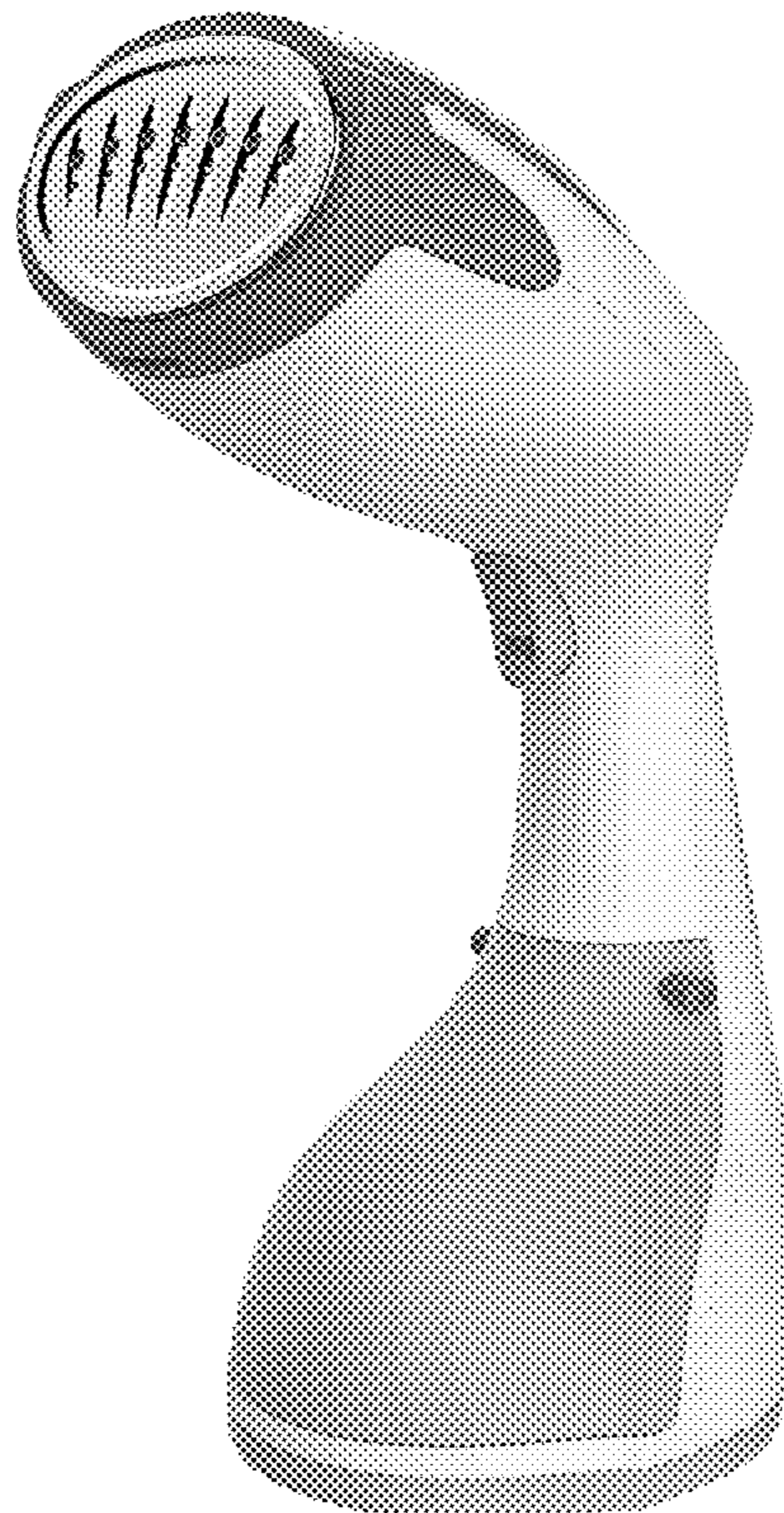
(57) **CLAIM**

The ornamental design for a garment steamer, as shown.

DESCRIPTION

FIG. 1 is a front elevational view of a garment steamer showing my new design;
FIG. 2 is a rear elevational view thereof;
FIG. 3 is a left side view thereof;
FIG. 4 is a right side view thereof;
FIG. 5 is a top plan view thereof;
FIG. 6 is a bottom plan view thereof; and,
FIG. 7 is a perspective view thereof.

1 Claim, 6 Drawing Sheets



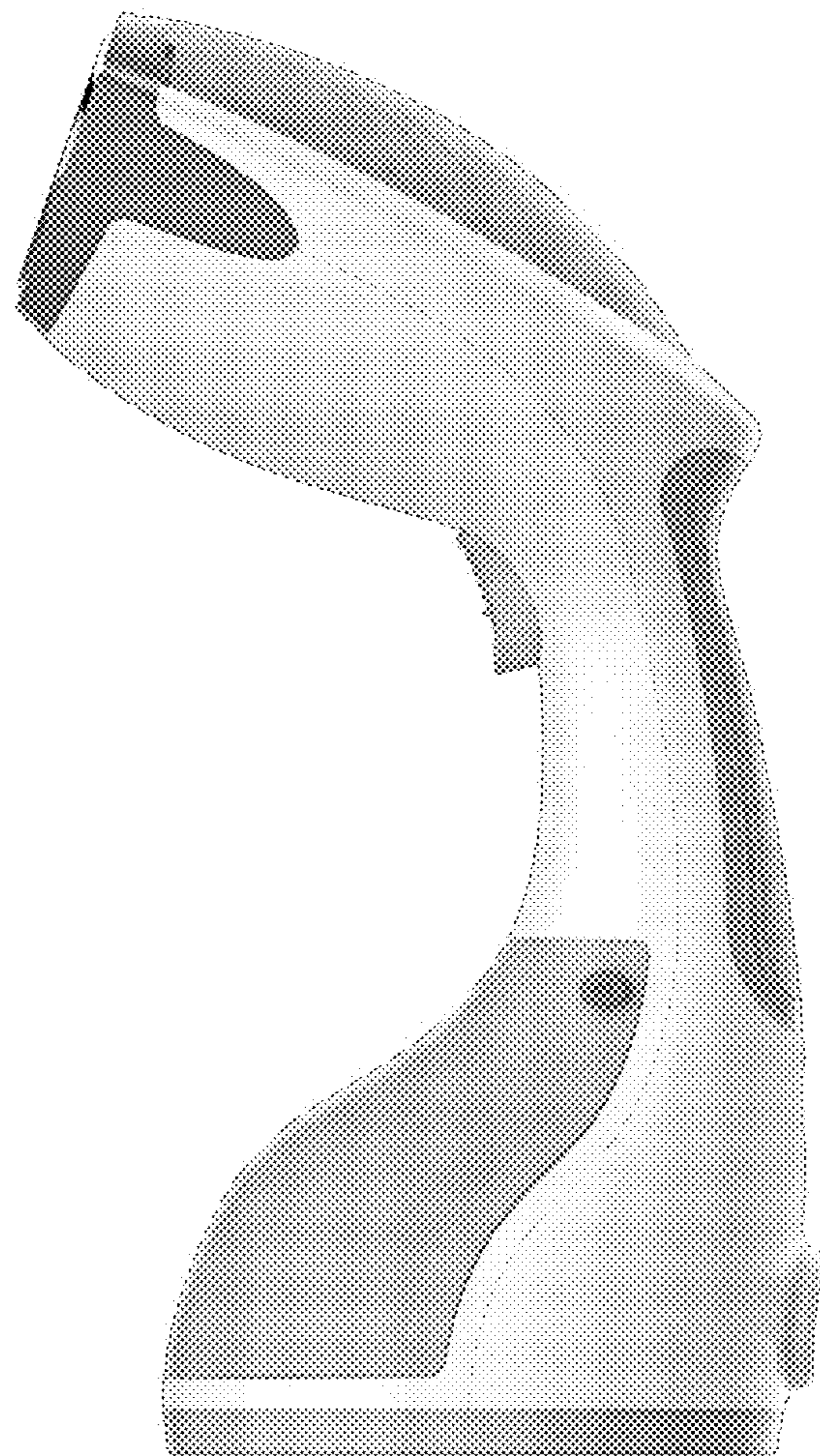


FIG. 1

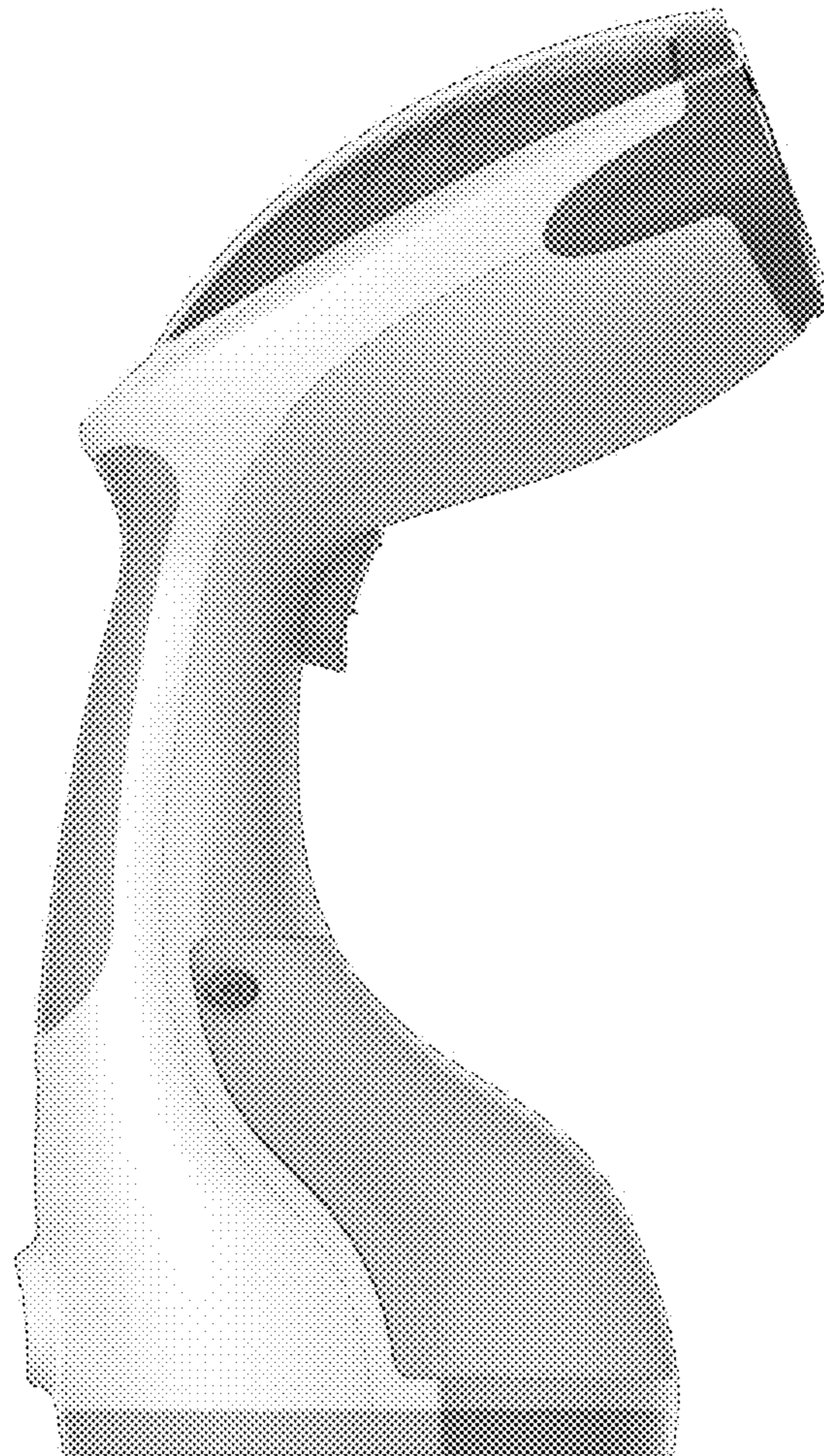


FIG. 2

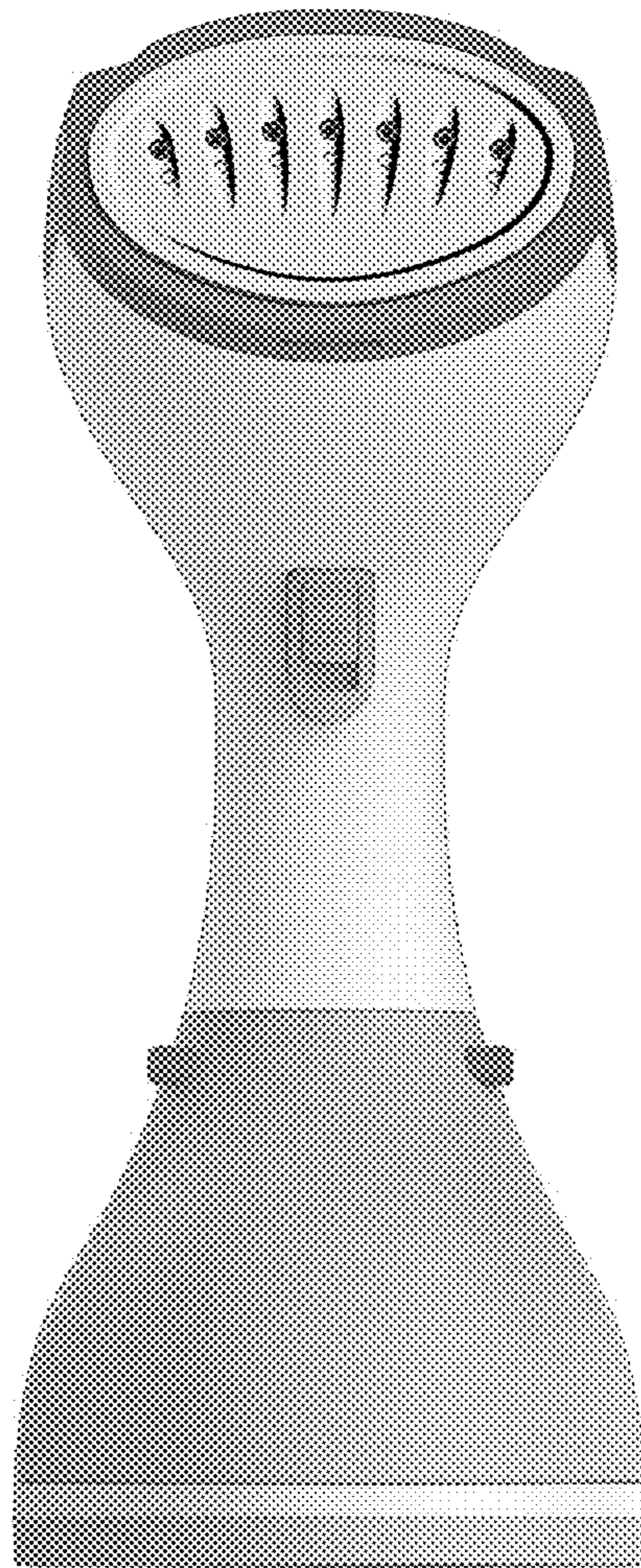


FIG. 3

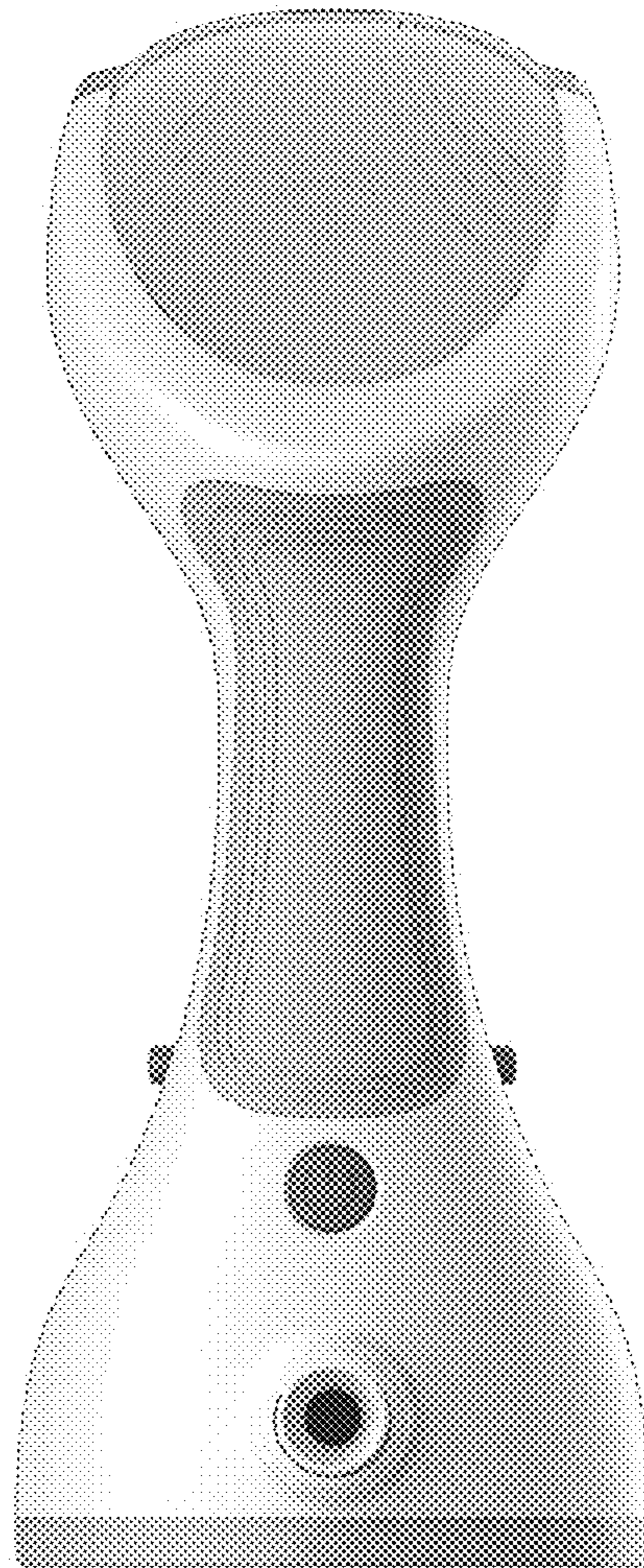


FIG. 4

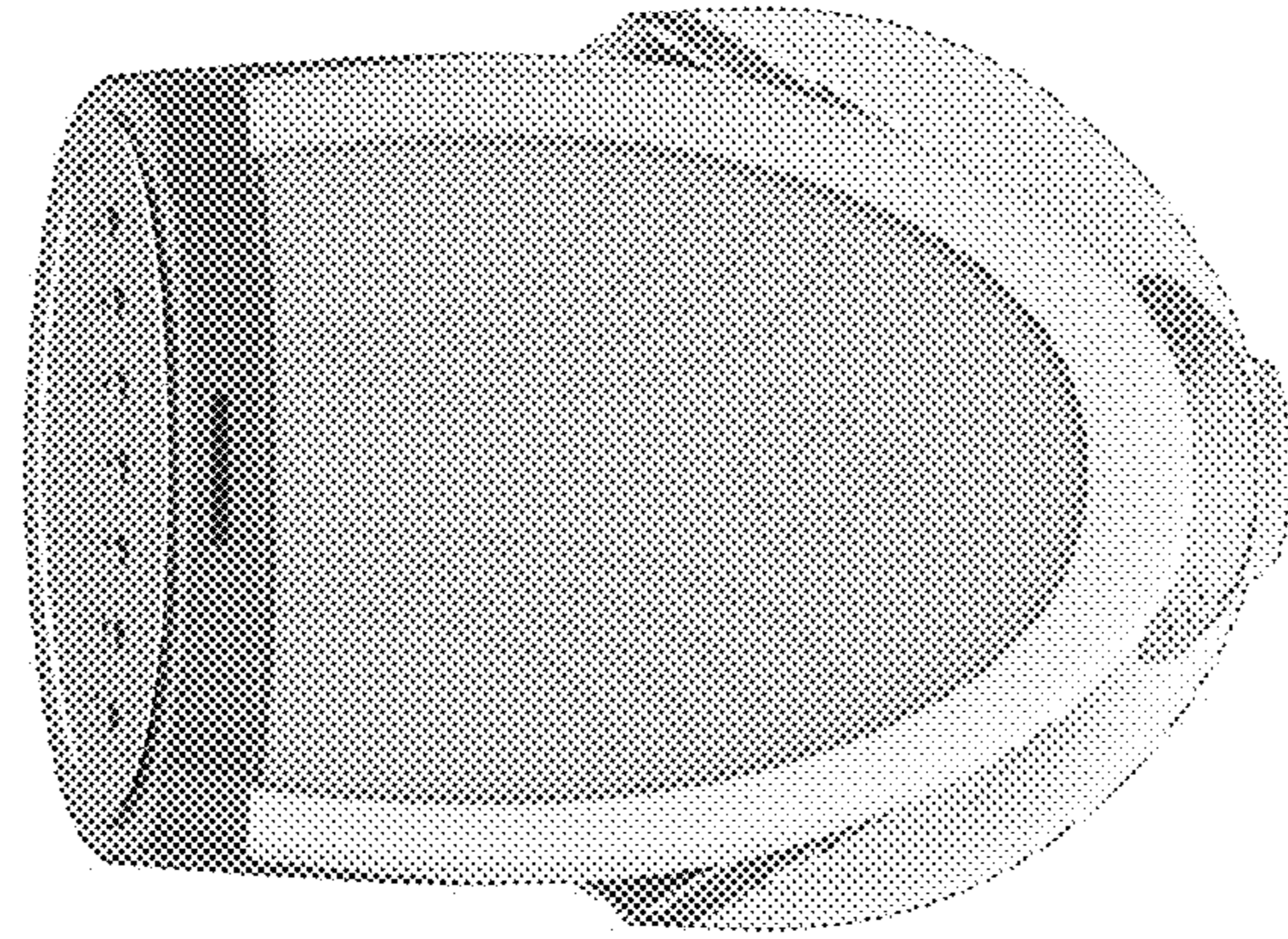


FIG. 5

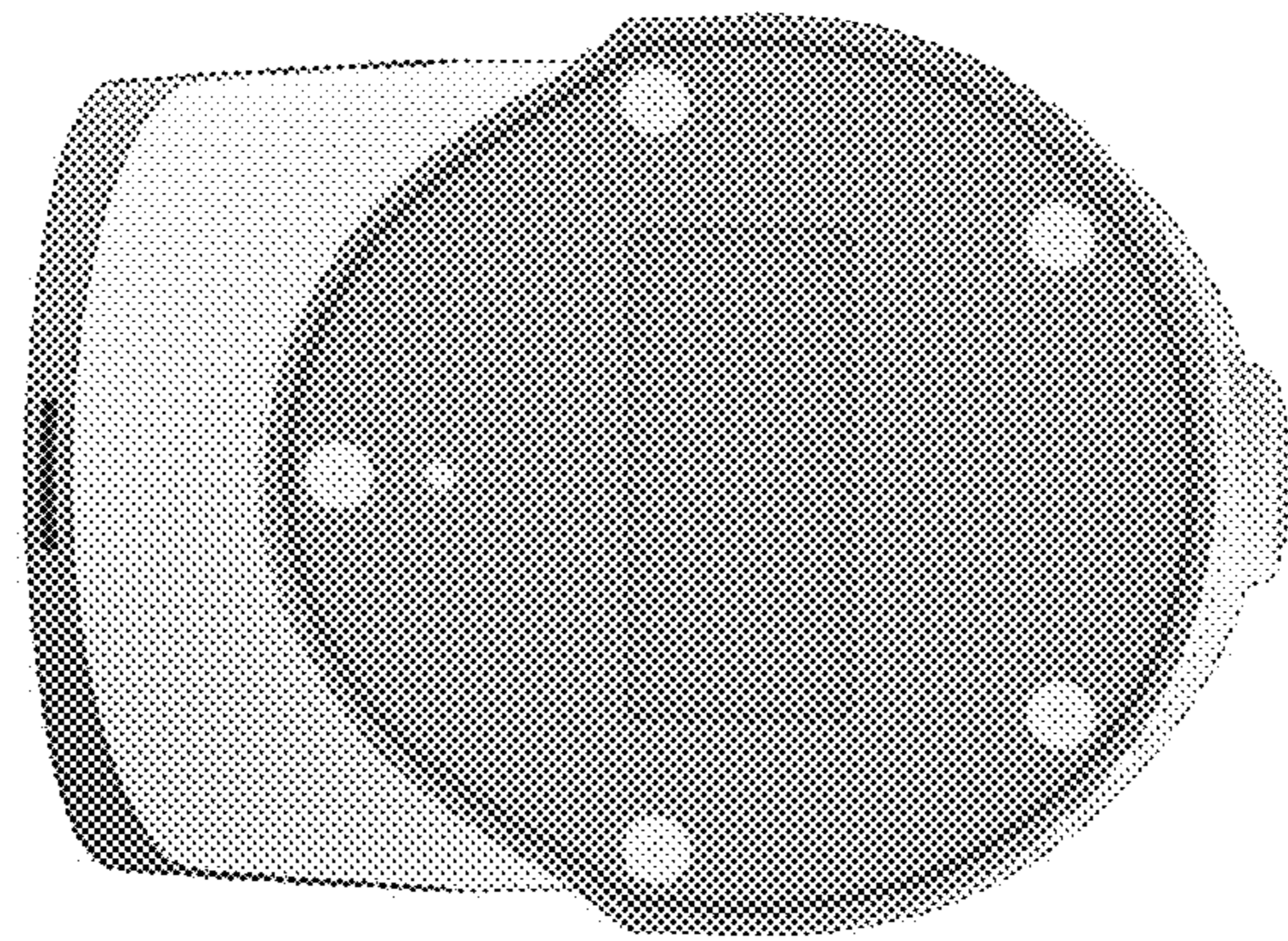


FIG. 6

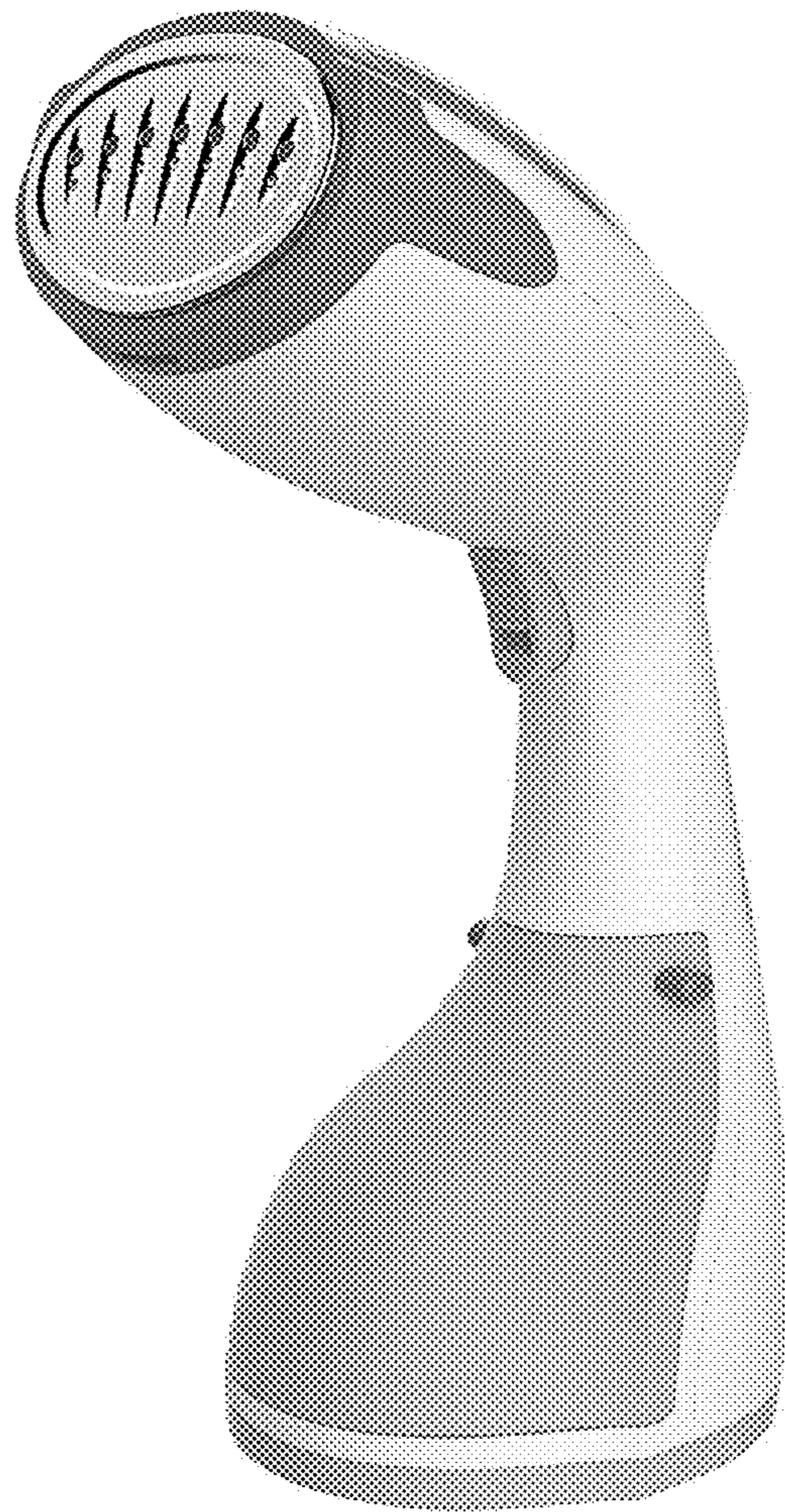


FIG. 7