



US00D940969S

(12) **United States Design Patent**  
**Maor et al.**

(10) **Patent No.:** **US D940,969 S**  
(45) **Date of Patent:** **\*\* Jan. 11, 2022**

(54) **FLEA COMB**

(71) Applicants: **Moshe Maor**, Welshpool (AU);  
**Edward Joseph Khoury**, Bateman  
(AU)  
(72) Inventors: **Moshe Maor**, Welshpool (AU);  
**Edward Joseph Khoury**, Bateman  
(AU)

(\*\*) Term: **15 Years**

(21) Appl. No.: **29/727,411**

(22) Filed: **Mar. 10, 2020**

(51) **LOC (13) Cl.** ..... **30-99**

(52) **U.S. Cl.**  
USPC ..... **D30/159**; D30/158

(58) **Field of Classification Search**  
USPC ..... D30/158, 159, 199, 162, 106; 119/625,  
119/633, 600, 617, 628, 632, 631, 613,  
119/618, 619, 620, 611; 132/126, 142;  
30/114, 130, 301, 305, 315, 316, 299,  
30/303, 306, 169, 322, 31, 30, 279.2,  
30/280, 287, 294, 199, 329-344, 346.56,  
30/346.61, 355, 357; D7/672-676, 687,  
D7/686, 634, 619, 688, 653; 425/298;  
426/503; D4/136, 127, 124-126,  
D4/116-118, 199, 194; D32/42, 25;  
D23/261; 2/160; 172/379, 380; D6/415,  
D6/410, 411  
CPC ..... A01K 13/00; A01K 13/002; B26B 19/24;  
B26B 19/063; B26B 21/16; B26B 21/18;  
B26B 21/521; B26B 21/4075; B26B  
21/522; A45D 24/30; A45D 24/00; A45D  
24/04; A45D 24/10; A45D 24/36; A45D  
24/02; A46B 5/02; A46B 5/021; A46B  
5/026; A46B 5/028; A46B 2200/1093;  
A46B 2200/10

See application file for complete search history.

(56) **References Cited**

U.S. PATENT DOCUMENTS

D132,607 S \* 6/1942 Schwartz ..... D4/130  
4,040,390 A \* 8/1977 Rosenbaum ..... A01K 13/002  
119/631  
6,588,964 B1 \* 7/2003 Au ..... A45D 24/22  
132/113  
D576,804 S \* 9/2008 Pulfrey ..... D4/130  
(Continued)

*Primary Examiner* — Susan Moon Lee  
(74) *Attorney, Agent, or Firm* — Tope-McKay &  
Associates

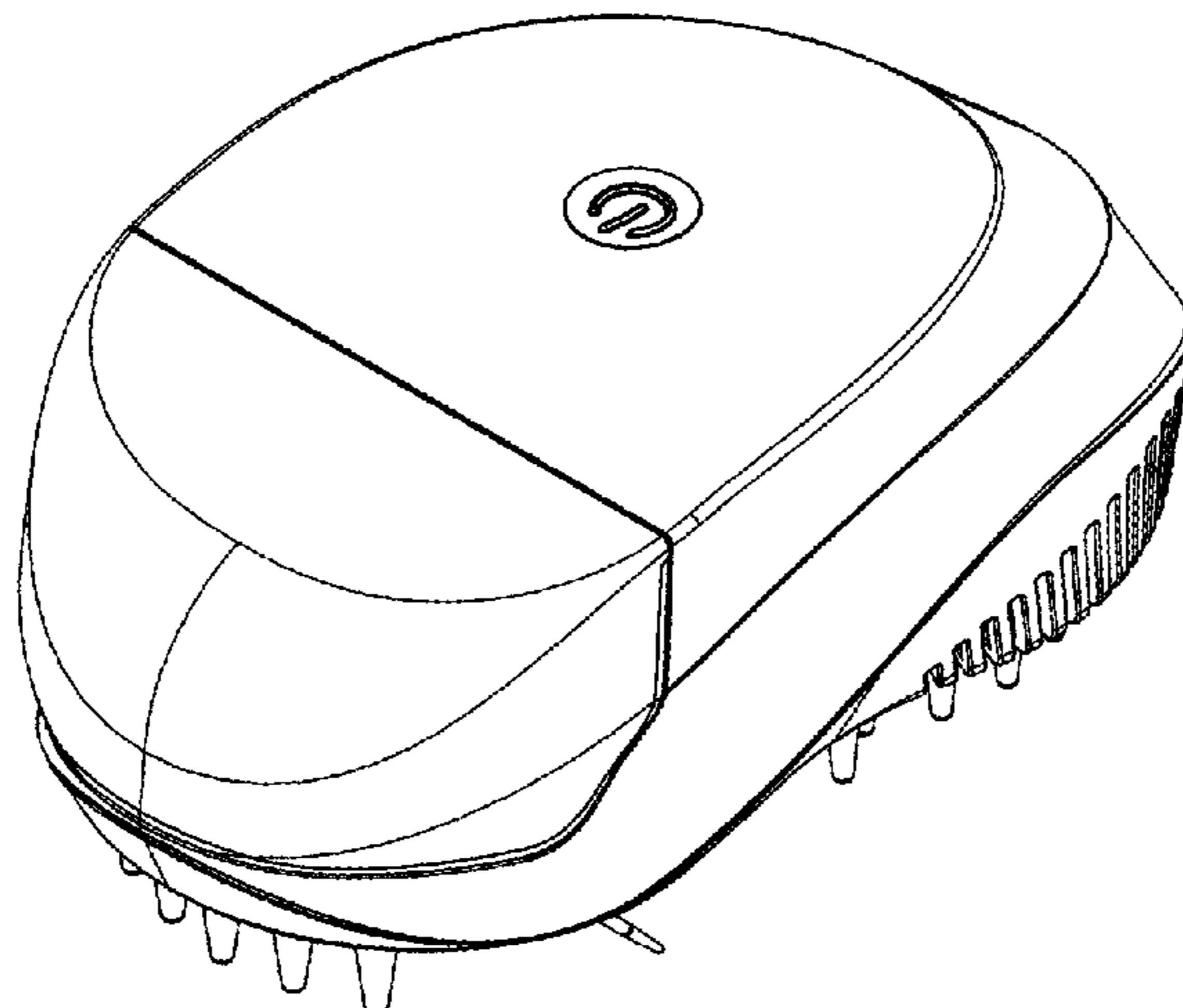
(57) **CLAIM**

The ornamental design for a flea comb, as shown and described.

**DESCRIPTION**

FIG. 1 is a front top perspective view of a flea comb with the teeth in the closed position in accordance with the new design;  
FIG. 2 is a front bottom perspective view thereof;  
FIG. 3 is a rear bottom perspective view thereof;  
FIG. 4 is a top elevation view thereof;  
FIG. 5 is a bottom elevation view thereof;  
FIG. 6 is a left side elevation view thereof;  
FIG. 7 is a right side elevation view thereof;  
FIG. 8 is a front elevation view thereof;  
FIG. 9 is a rear elevation view thereof;  
FIG. 10 is a front top perspective view of a flea comb with the teeth in the extended position in accordance with the new design;  
FIG. 11 is a front bottom perspective view thereof;  
FIG. 12 is a rear bottom perspective view thereof;  
FIG. 13 is a top elevation view thereof;  
FIG. 14 is a bottom elevation view thereof;  
FIG. 15 is a left side elevation view thereof;  
FIG. 16 is a right side elevation view thereof;  
FIG. 17 is a front elevation view thereof; and,  
FIG. 18 is a rear elevation view thereof.

**1 Claim, 18 Drawing Sheets**



(56)

## References Cited

## U.S. PATENT DOCUMENTS

D633,218 S \* 2/2011 Robertson ..... D24/215  
D641,171 S \* 7/2011 Mor ..... D4/199  
D668,055 S \* 10/2012 Khubani ..... D4/130  
D670,083 S \* 11/2012 Treeby ..... D4/130  
D688,465 S \* 8/2013 Khubani ..... D4/130  
9,049,973 B1 \* 6/2015 Arrieta ..... A46B 5/021  
9,226,570 B2 \* 1/2016 Pulfrey ..... B25G 1/102  
D757,442 S \* 5/2016 Waitesmith ..... D4/127  
D787,196 S \* 5/2017 Treeby ..... D4/138  
D796,212 S \* 9/2017 Thornton ..... D4/127  
D817,006 S \* 5/2018 Kinoshita ..... D4/134  
D844,334 S \* 4/2019 Lee ..... D4/134  
D853,127 S \* 7/2019 Kling ..... D4/127  
D853,576 S \* 7/2019 Ma ..... D24/215  
D873,030 S \* 1/2020 Matsushita ..... D4/127  
D903,955 S \* 12/2020 Singer ..... D30/159  
D910,316 S \* 2/2021 Munitz ..... D4/130  
D919,300 S \* 5/2021 Li ..... D4/100  
D925,924 S \* 7/2021 Kanakis ..... D4/128  
2010/0101594 A1 \* 4/2010 Pulfrey ..... A46B 9/06  
132/120  
2010/0143024 A1 \* 6/2010 Hurwitz ..... A01K 13/002  
401/270  
2013/0008388 A1 \* 1/2013 Chancy ..... A01K 13/003  
119/604  
2013/0232708 A1 \* 9/2013 Mor ..... A46B 5/021  
15/160  
2017/0367923 A1 \* 12/2017 Bergbacka ..... A61H 7/001  
2018/0064066 A1 \* 3/2018 Lou ..... A01K 13/002  
2018/0132452 A1 \* 5/2018 Dionne ..... A46B 9/023  
2018/0139928 A1 \* 5/2018 Takla ..... A01K 13/001  
2019/0313762 A1 \* 10/2019 Maor ..... A45D 24/32

\* cited by examiner

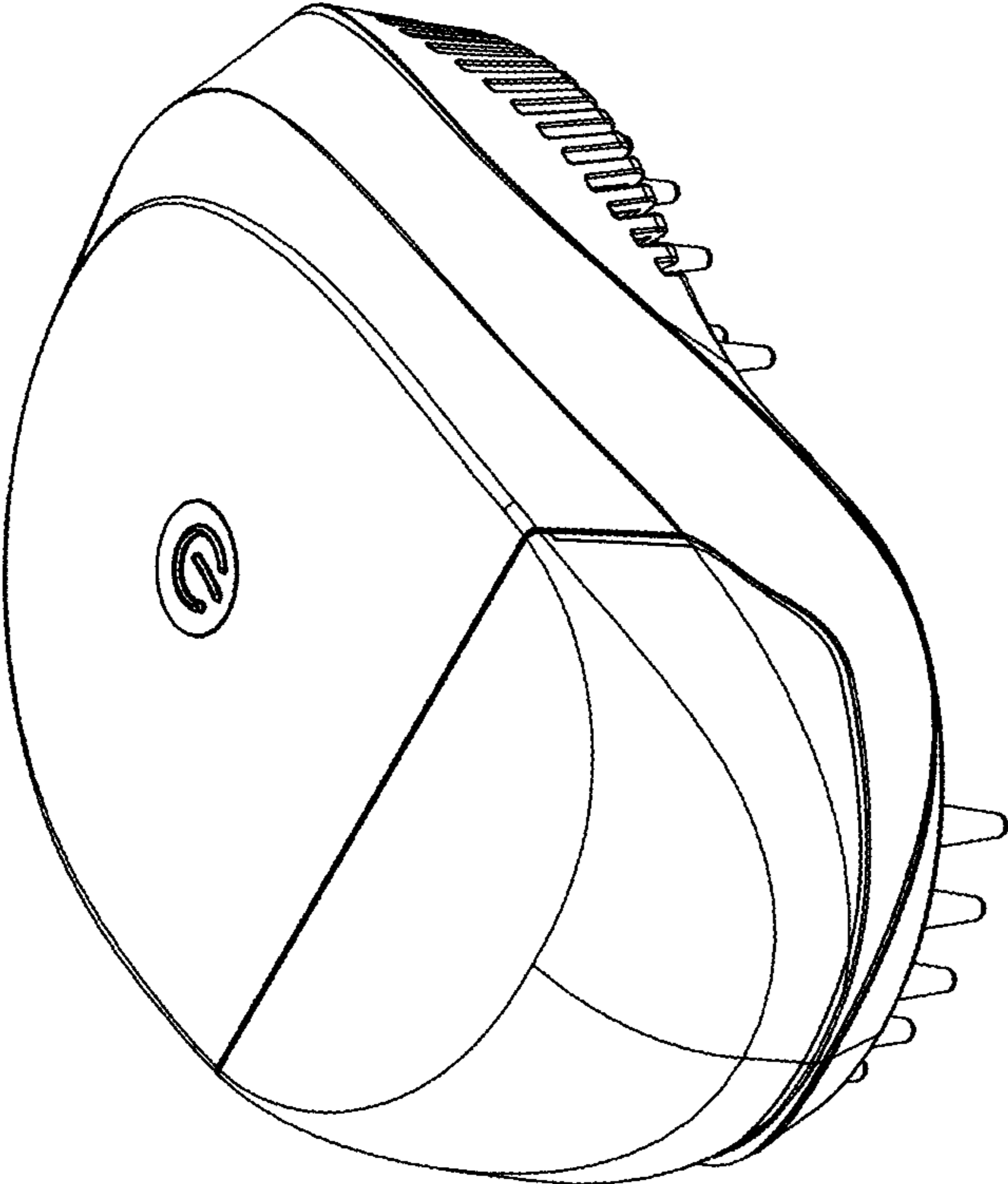


Fig. 1

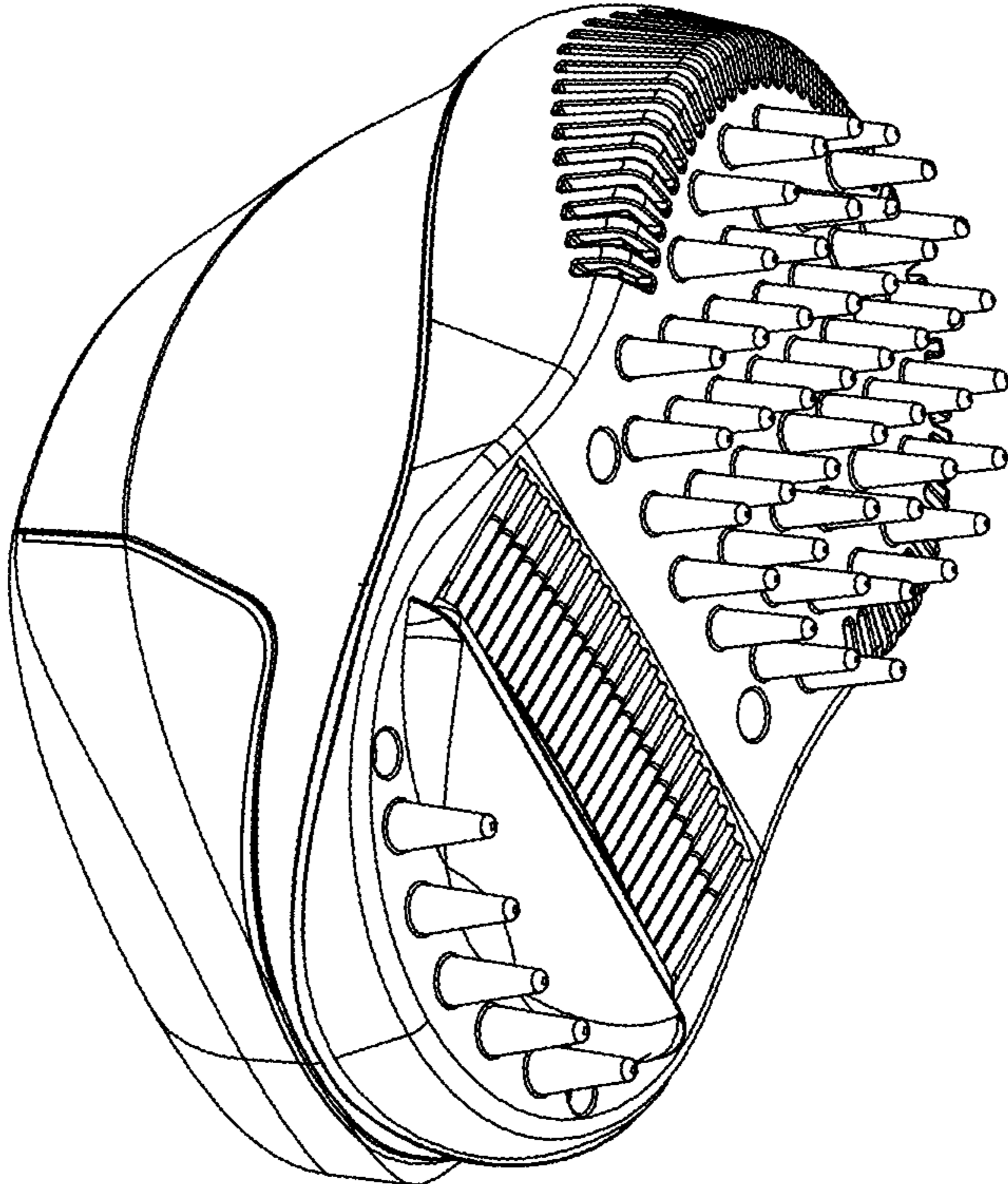


Fig. 2

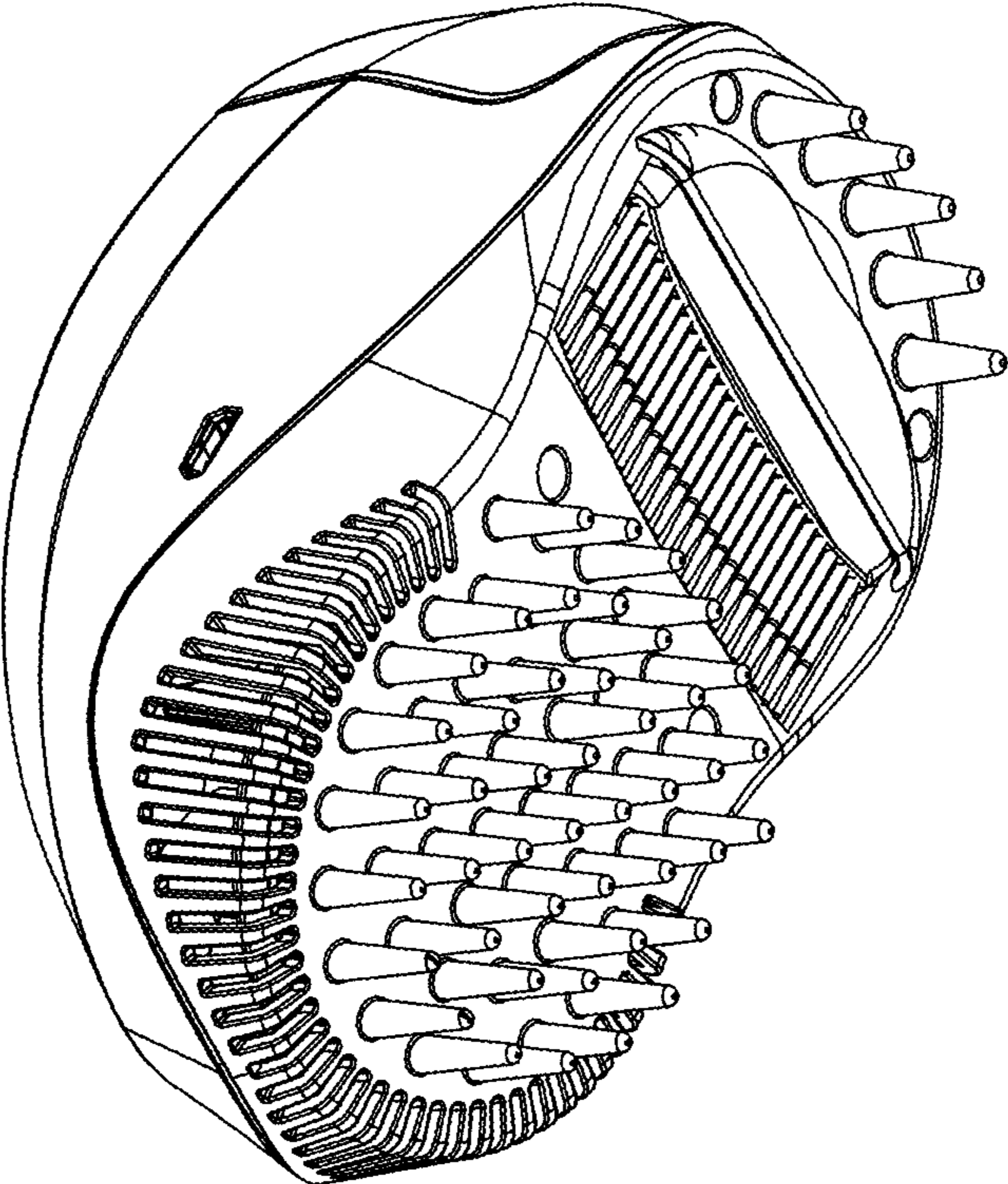


Fig. 3

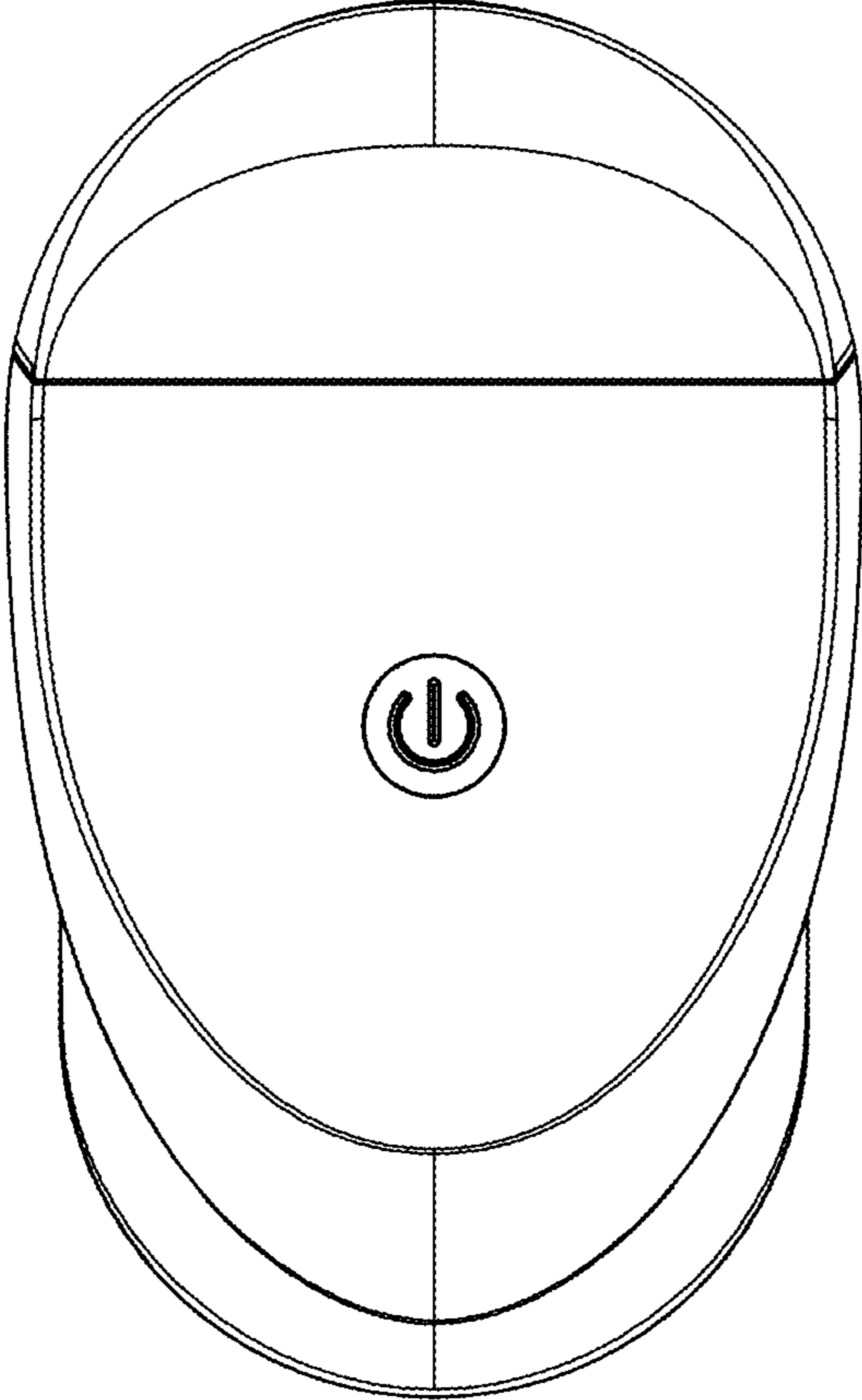


Fig. 4

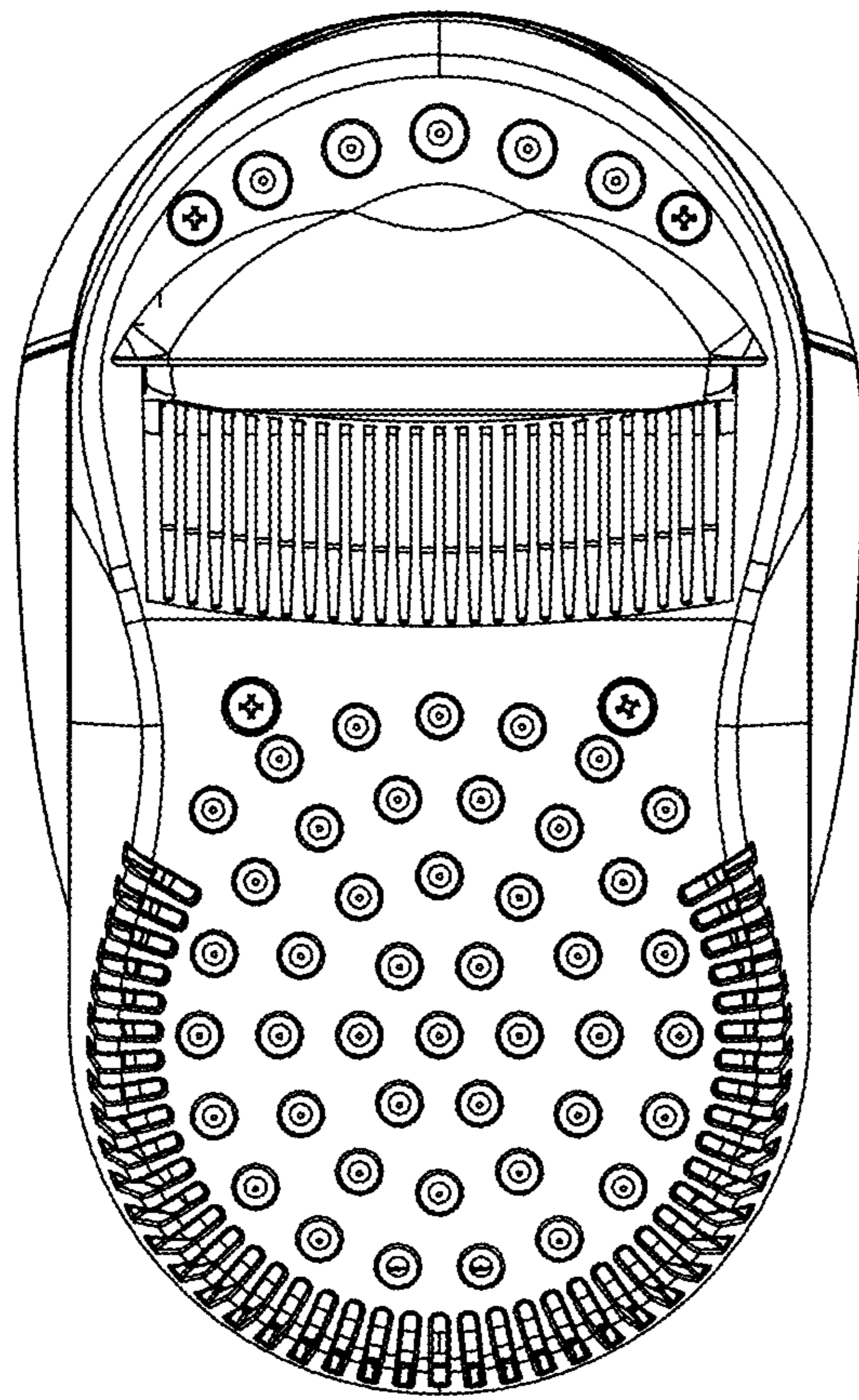


Fig. 5

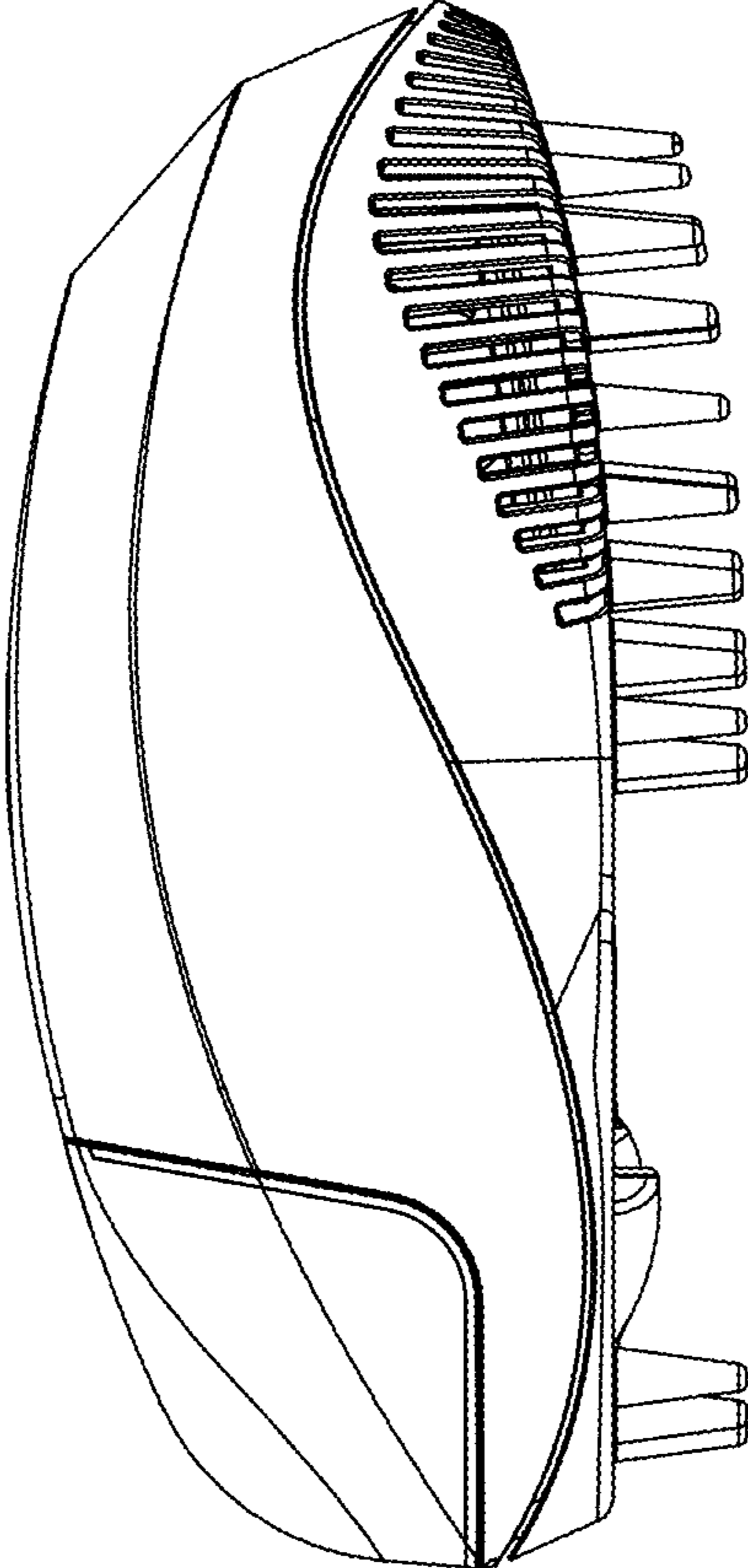


Fig. 6



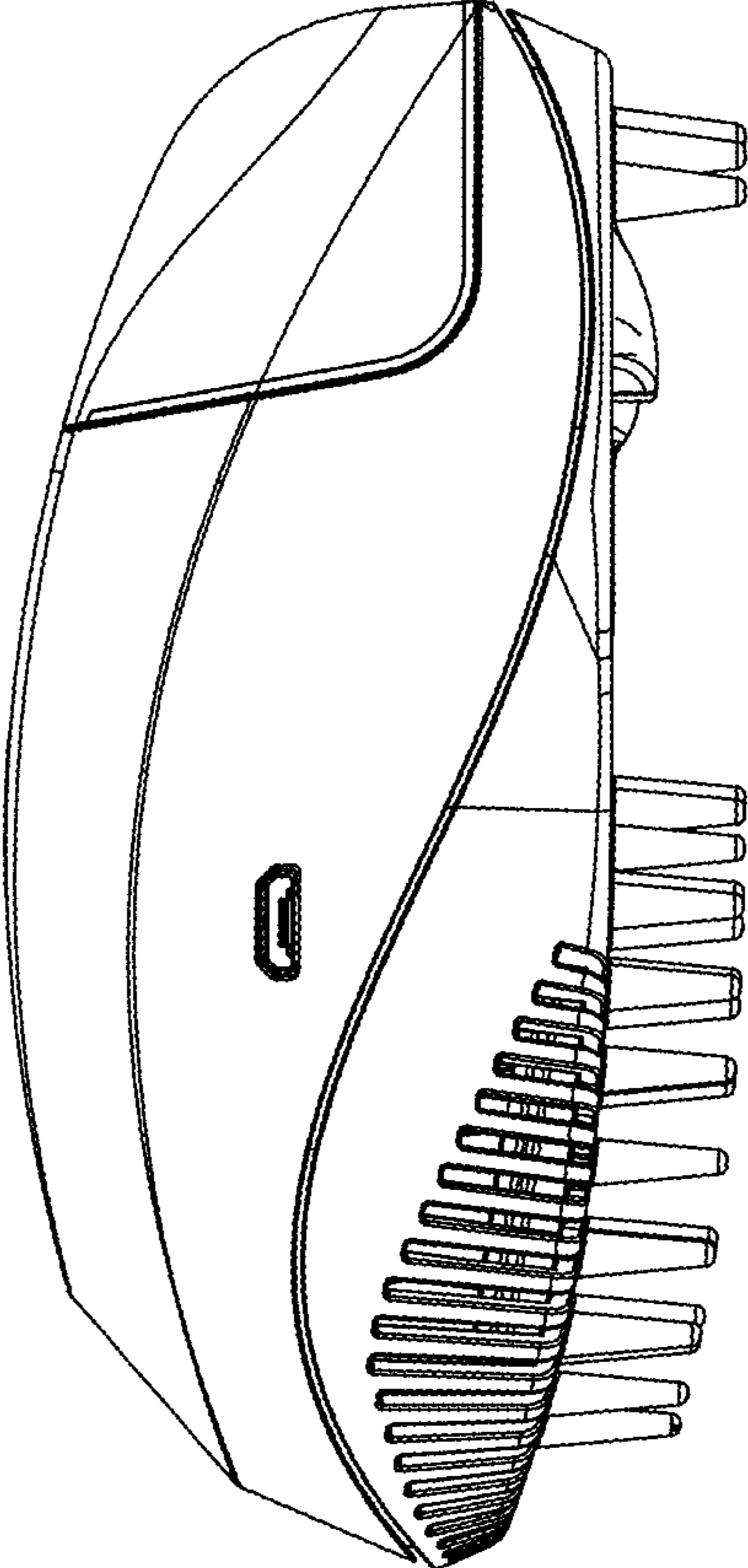


Fig. 7

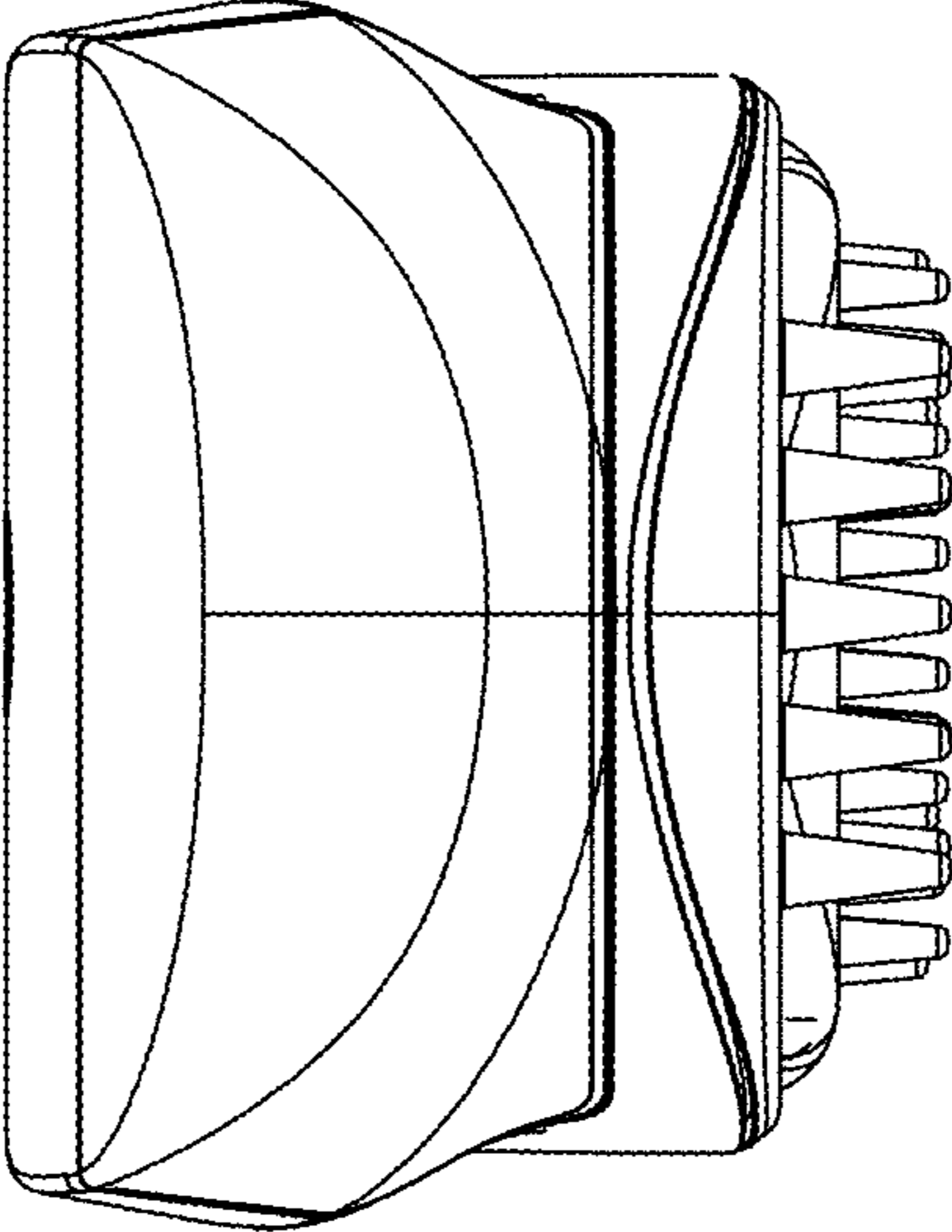


Fig. 8

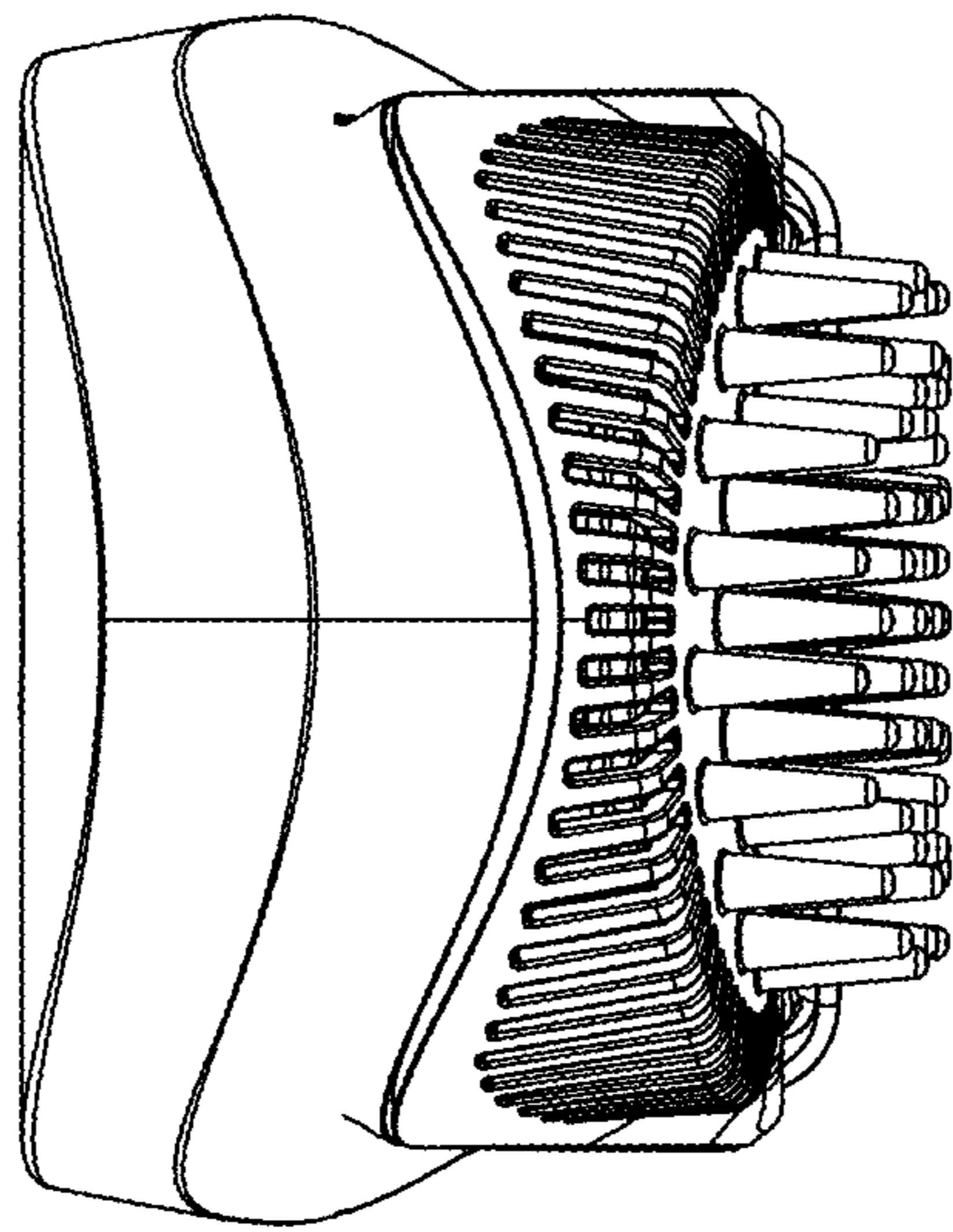


Fig. 9

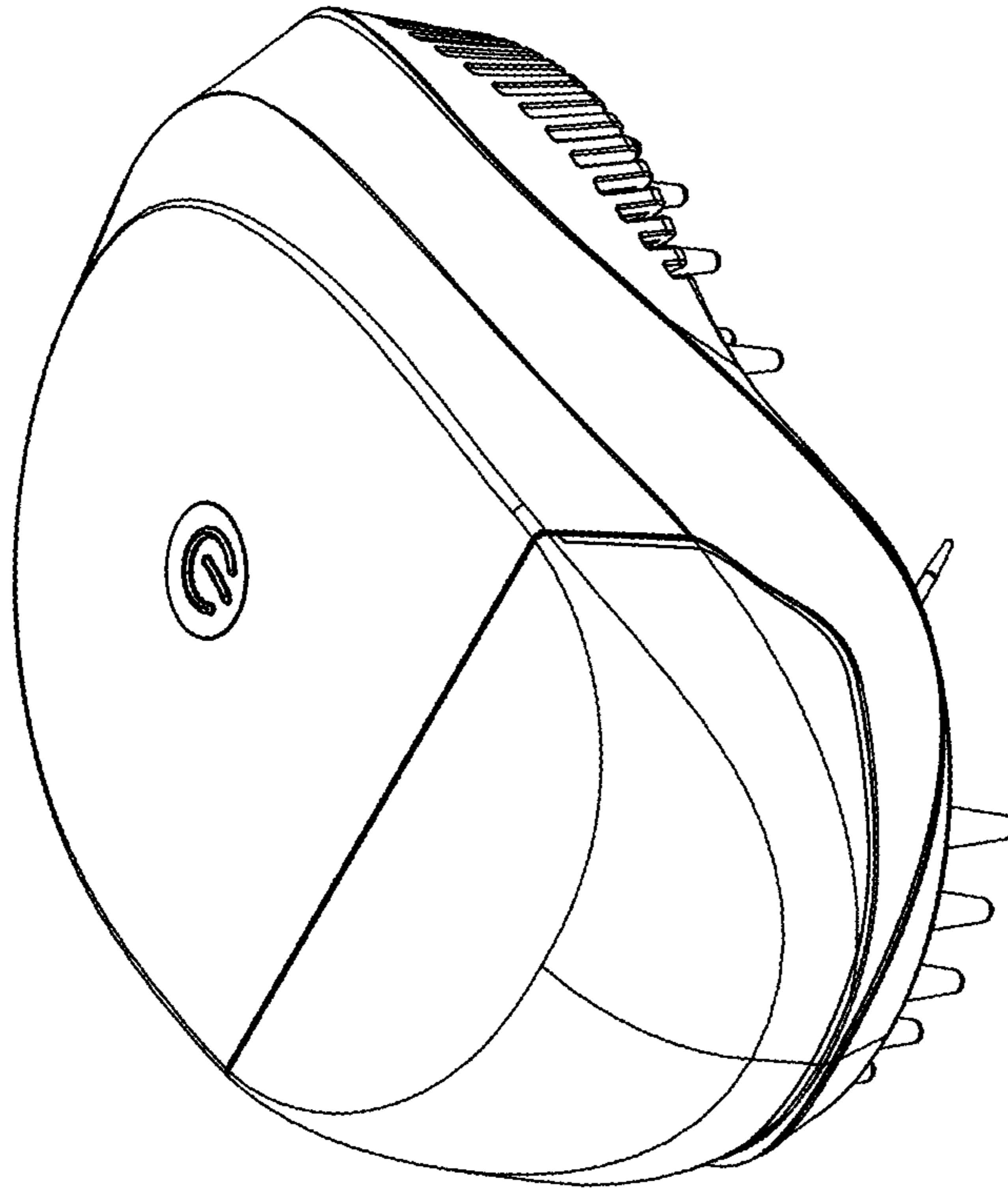


Fig. 10

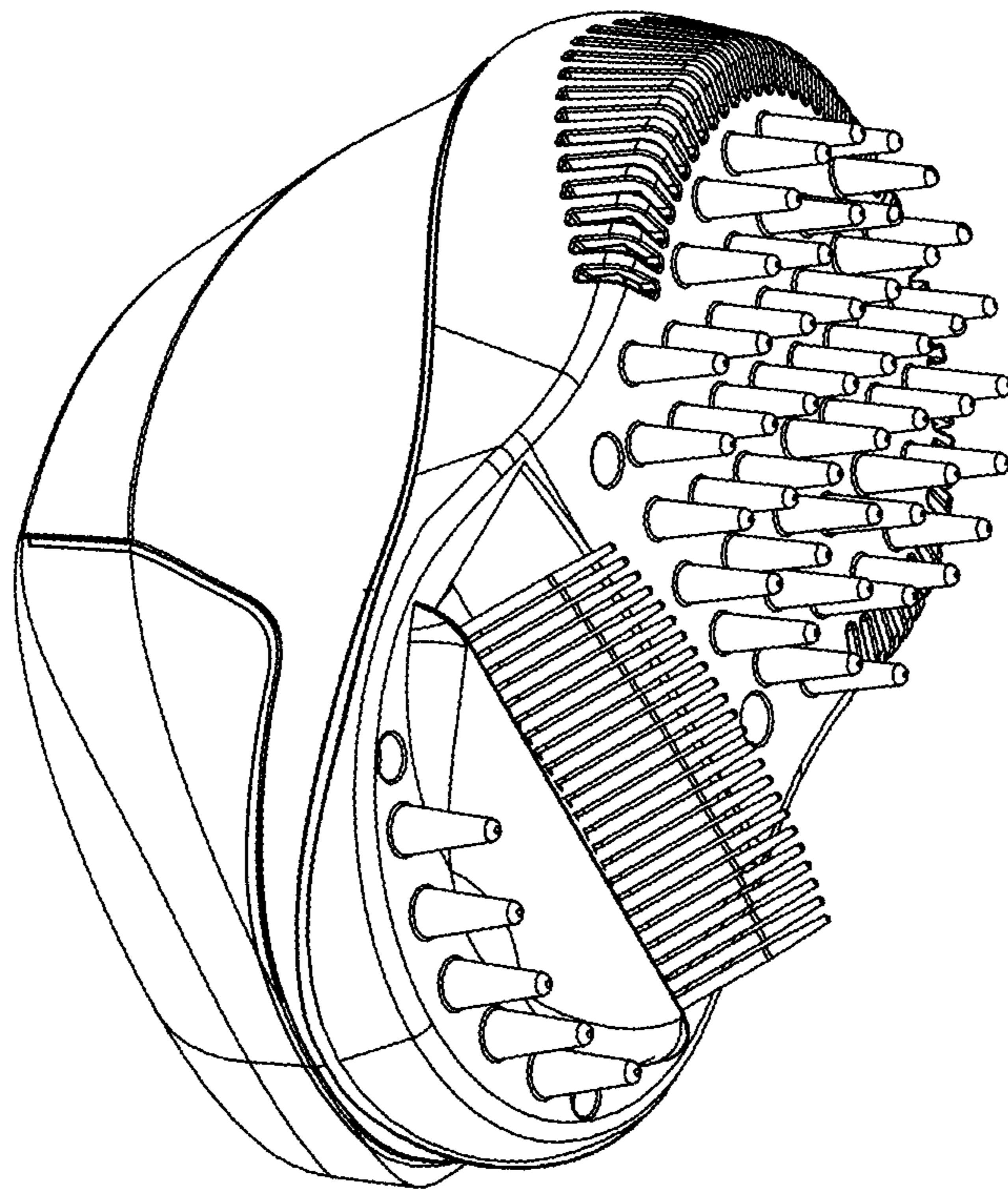


Fig. 11

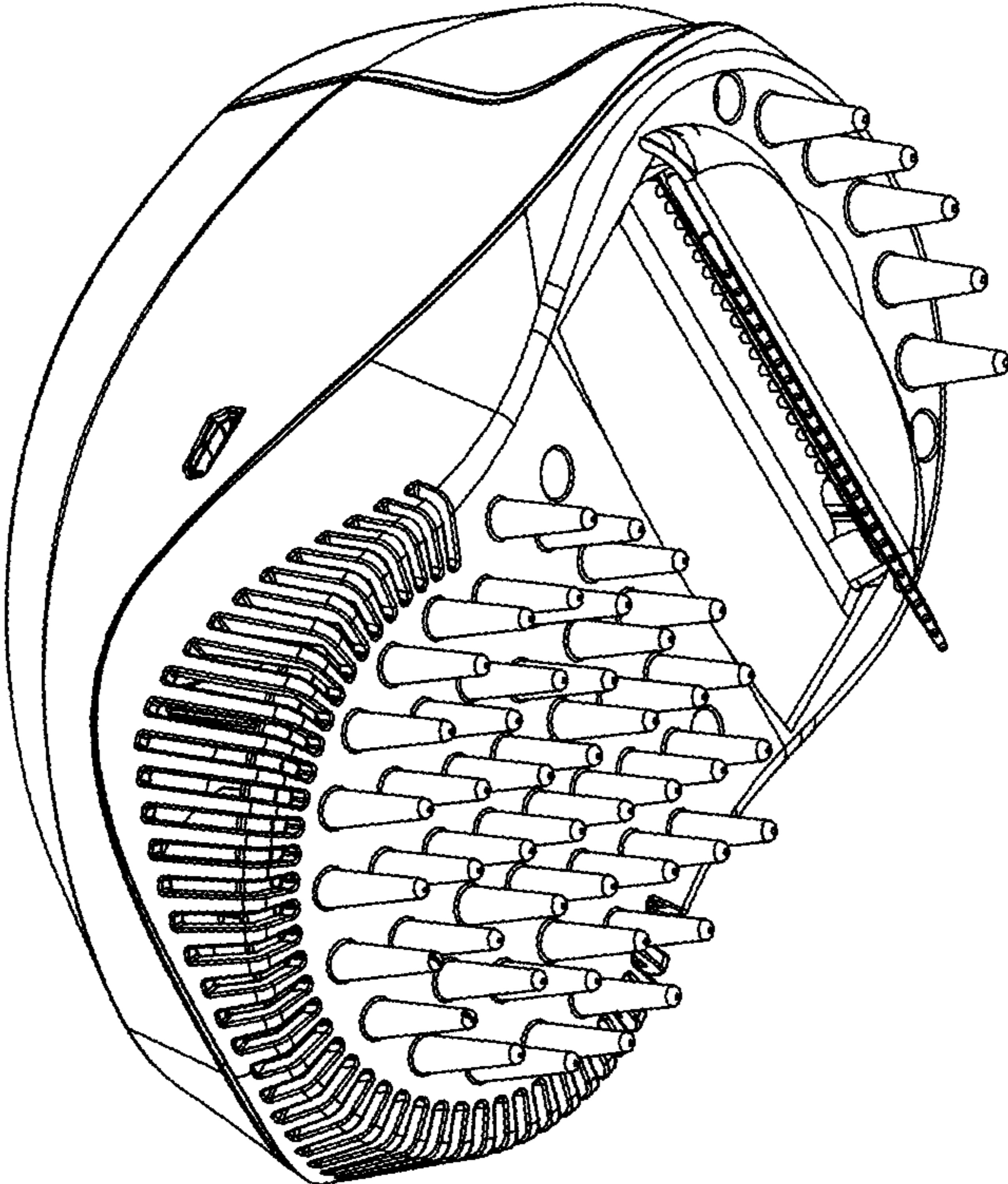


Fig. 12

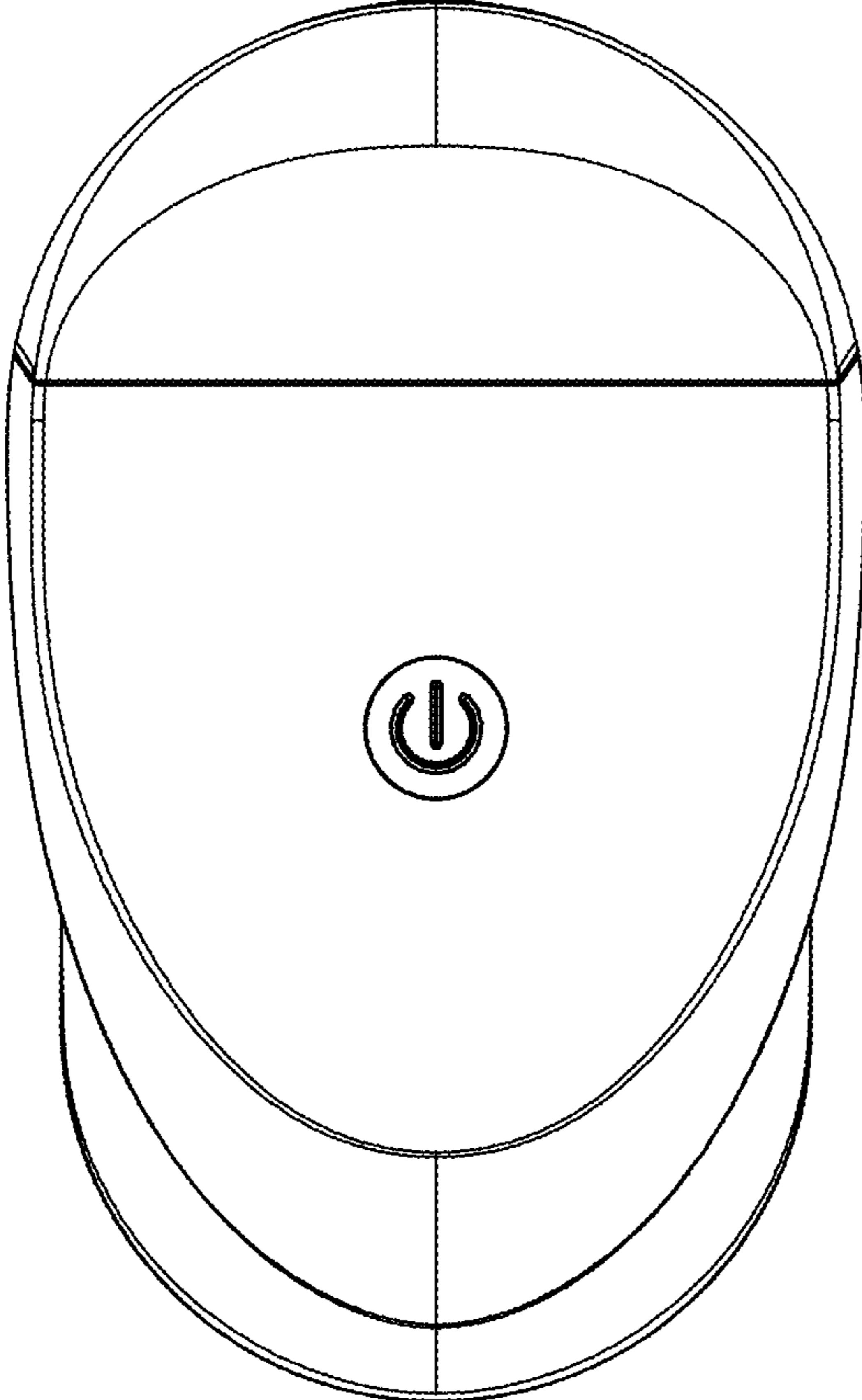


Fig. 13

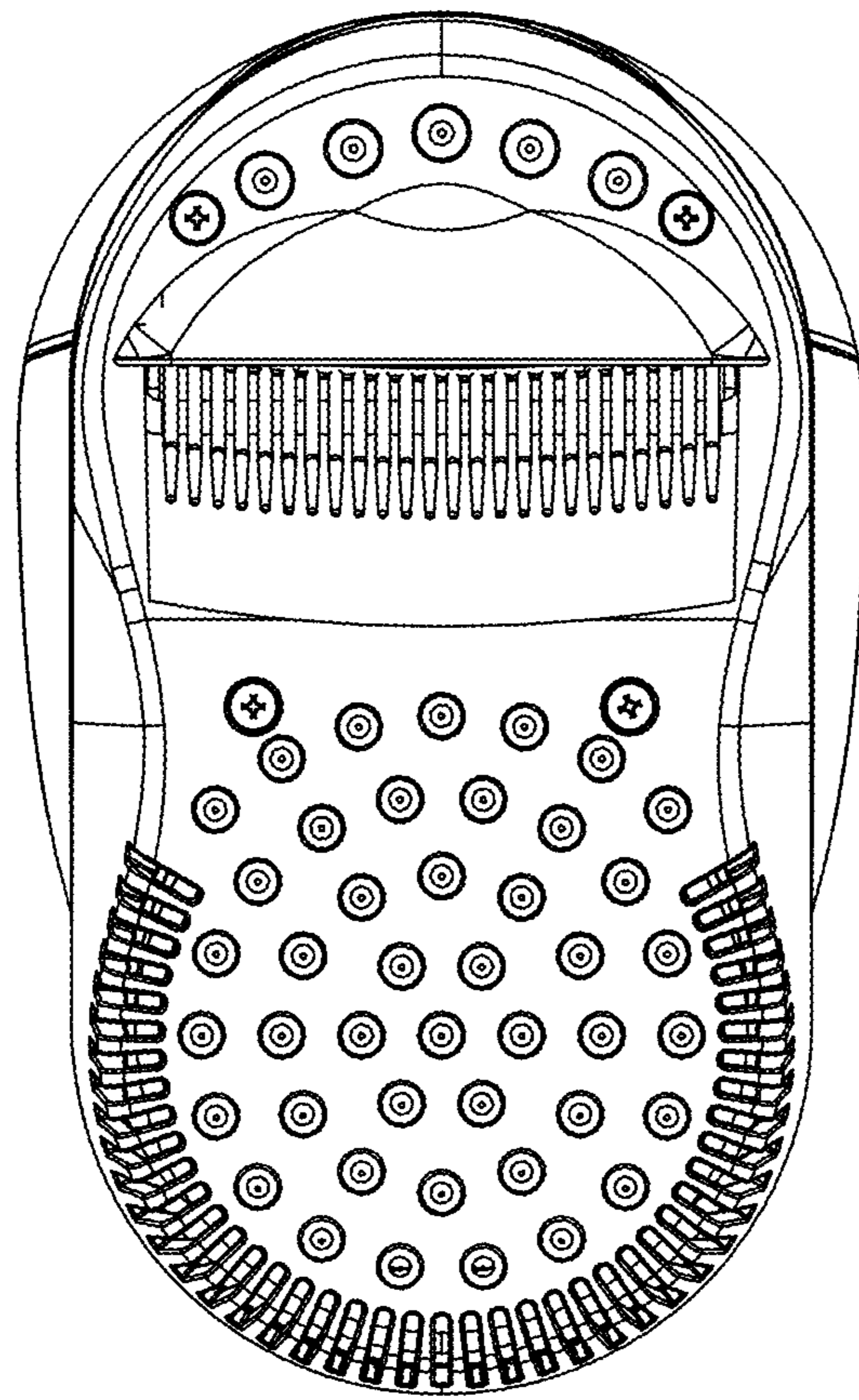


Fig. 14



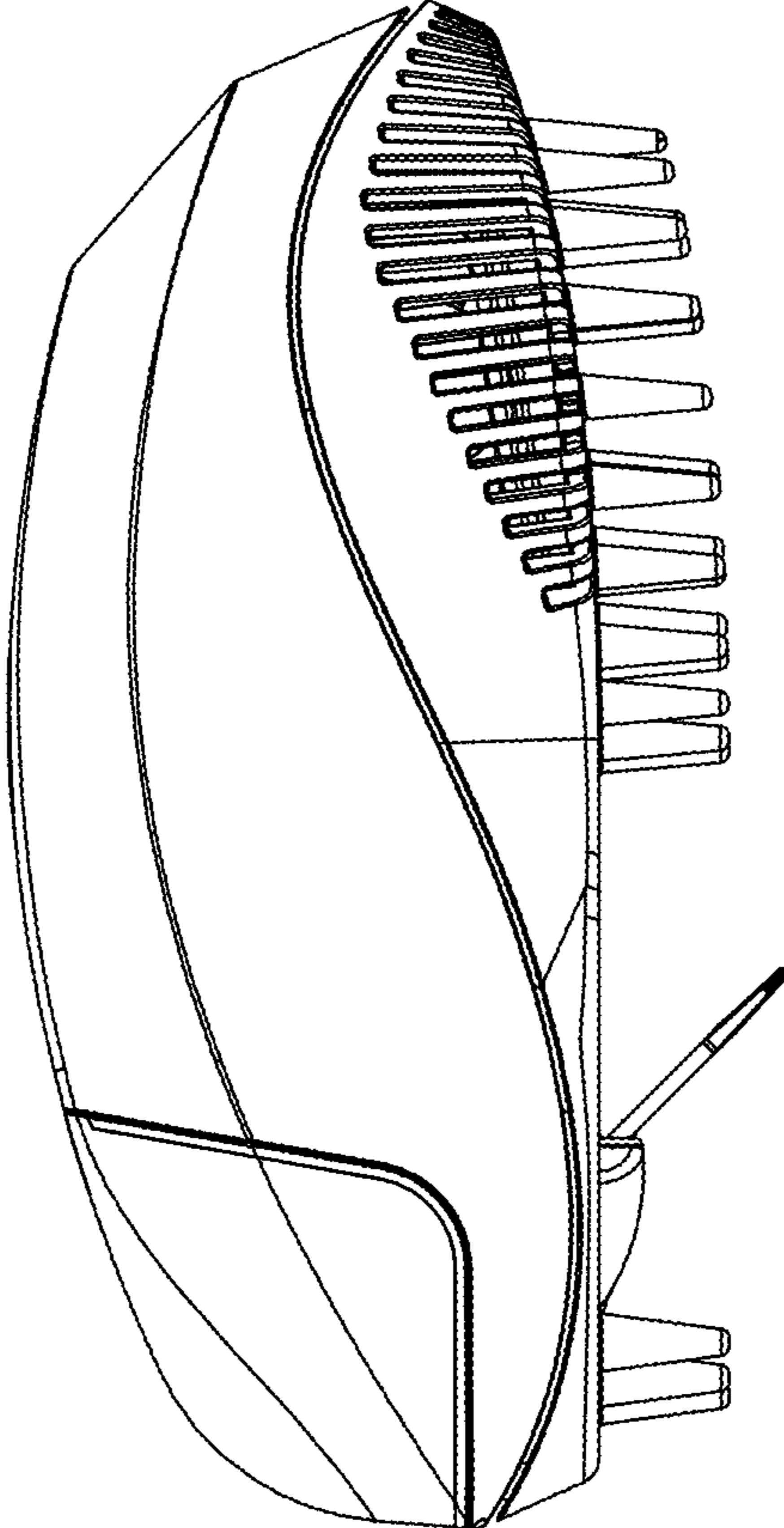


Fig. 15

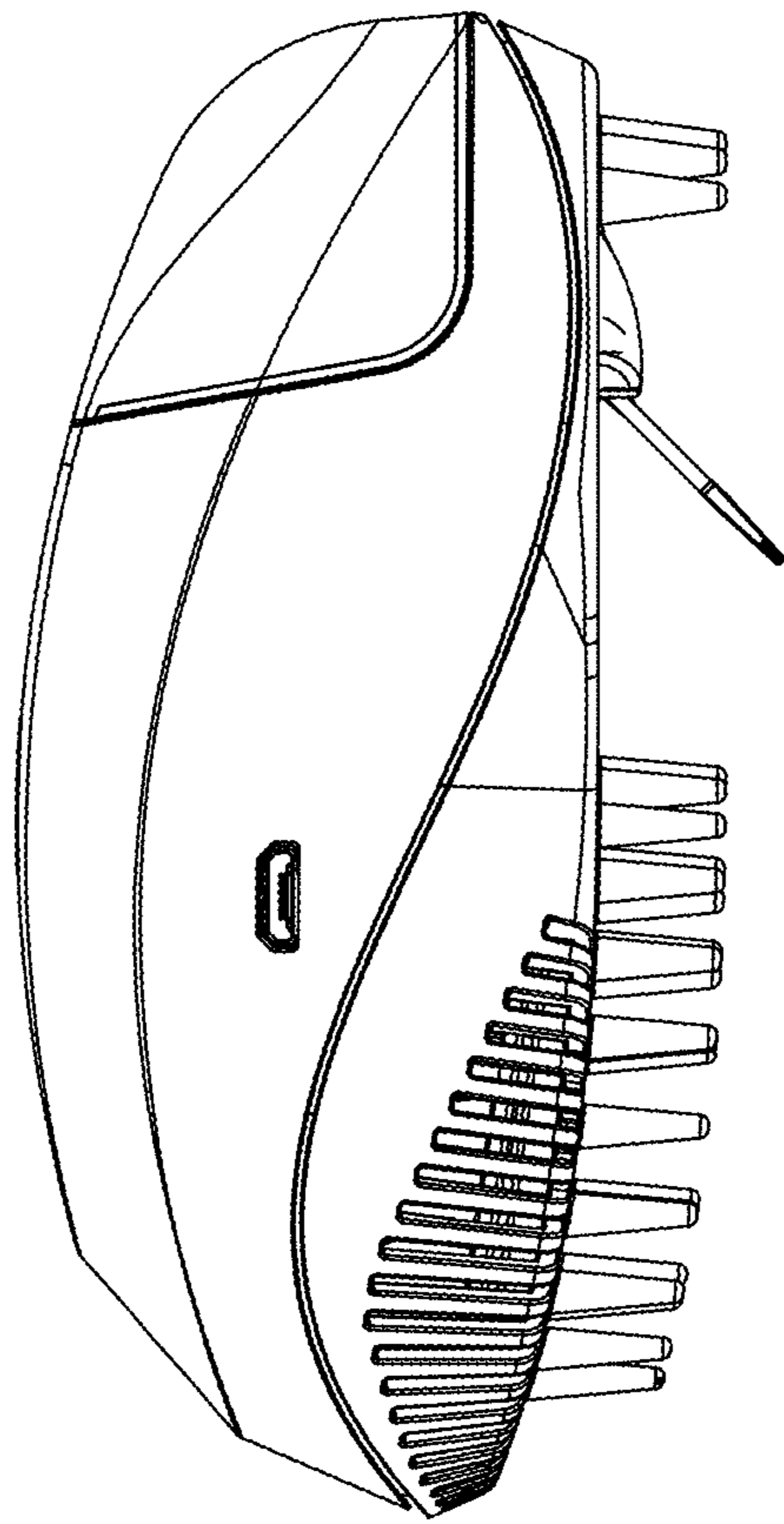


Fig. 16

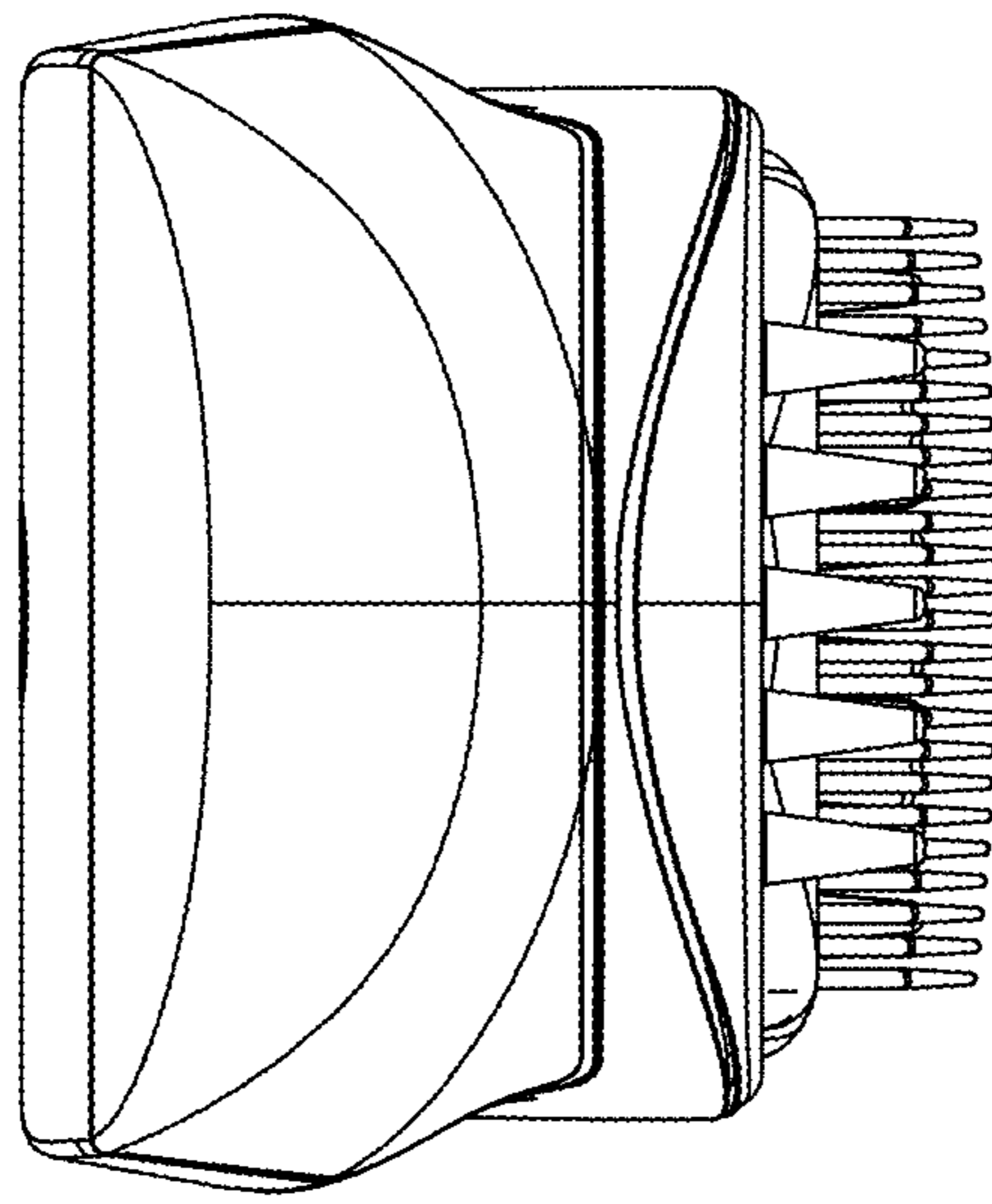


Fig. 17

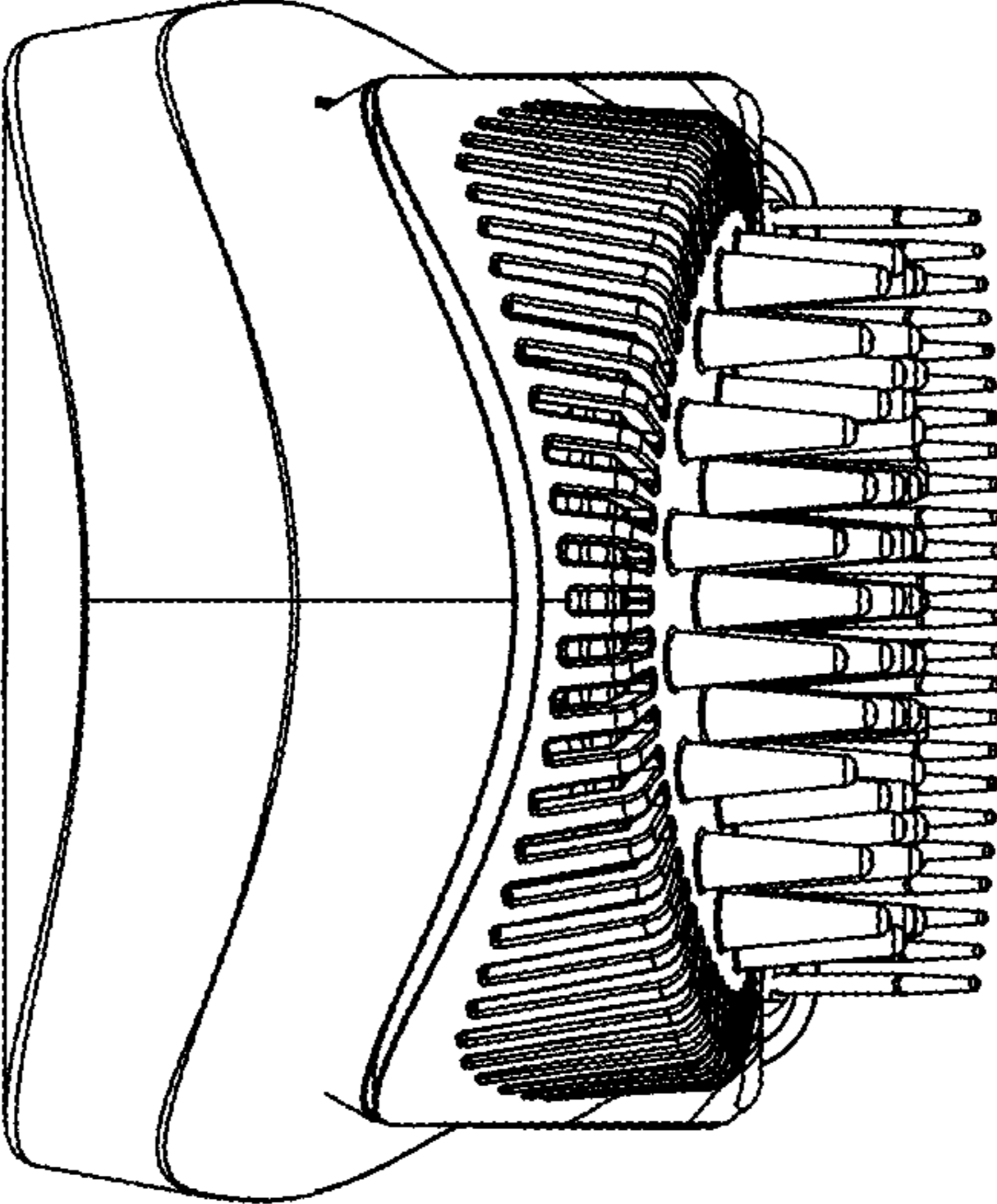


Fig. 18