

US00D940967S

(12) **United States Design Patent**
Ruetenik

(10) **Patent No.:** **US D940,967 S**
(45) **Date of Patent:** **** Jan. 11, 2022**

(54) **EQUINE SHOE**

- (71) Applicant: **Monty L. Ruetenik**, Clear Lake Shores, TX (US)
- (72) Inventor: **Monty L. Ruetenik**, Clear Lake Shores, TX (US)
- (**) Term: **15 Years**

(21) Appl. No.: **29/717,366**

(22) Filed: **Dec. 17, 2019**

(51) **LOC (13) Cl.** **30-01**

(52) **U.S. Cl.**
USPC **30/147**

(58) **Field of Classification Search**

USPC D30/144, 145, 146, 147, 148, 150, 151,
D30/199; D2/626, 829, 860, 897, 902,
D2/909, 914, 919, 943, 947, 980;
D24/188, 189, 192; D21/387; D9/650
CPC A01L 5/00; A01L 3/02; A01L 1/02; A01K
13/007; A01K 13/006

See application file for complete search history.

(56) **References Cited**

U.S. PATENT DOCUMENTS

5,172,766	A *	12/1992	Adkins	A01L 5/00 168/14
5,287,931	A *	2/1994	Eriksson	A01L 1/02 168/24
D612,550	S *	3/2010	Justis	D30/147
D674,170	S *	1/2013	Bramani	A43B 7/26 D2/902
D787,169	S *	5/2017	Sassi	D2/947
D838,059	S *	1/2019	Ruetenik	D30/146
D897,052	S *	9/2020	Ruetenik	D30/146
2003/0234112	A1 *	12/2003	Smith	A01L 5/00 168/13
2015/0327531	A1 *	11/2015	Hannover	A01L 1/04 168/10
2017/0027150	A1 *	2/2017	Ruetenik	A01L 15/00
2017/0086445	A1 *	3/2017	Todd	A01L 9/00
2018/0020653	A1 *	1/2018	Charnley	A01L 3/00 168/9
2020/0000076	A1 *	1/2020	Revheim	A01L 3/02

OTHER PUBLICATIONS

“Soft-Ride Shoe: Gel Max Center Loading Accommodative Shoe”. Found online Jul. 24, 2021 at equipodiatry.com. Reference dated Aug. 5, 2020. Retrieved from https://web.archive.org/...5842/https://www.equipodiatry.com/news/news-essays/a-possible-alternative-to-the-wooden-shoe-in-selected-cases.*

“FormaHoof: Traction Shoe”. Found online Jun. 24, 2019 at facebook.com. Reference dated Nov. 12, 2018. Retrieved from https://www.facebook.com/FormaHoof/photos/a.688022384691220/1065555200271268/?type=3.*

“Soft-Ride Shoe: Gel Arena Center Loading Accommodative Shoe”. Found online Jul. 24, 2021 at teamropingjournal.com. Reference dated Sep. 2, 2020. Retrieved from https://teamropingjournal.com/horse-care/lessening-the-load-the-new-softriders-by-soft-ride-equine-comfort-boots.*

“Advanced Equine Comfort: Easy’s Slipper—Performance”. Found online May 28, 2019 at americanfarriers.com. Reference dated Jun. 7, 2018. Retrieved from https://www.americanfarriers.com/articles/10290-advanced-equine-comfort-releases-new-slipper-for-hind-feet.*

* cited by examiner

Primary Examiner — Kendra Leslie Hamilton

(74) *Attorney, Agent, or Firm* — Douglas Baldwin

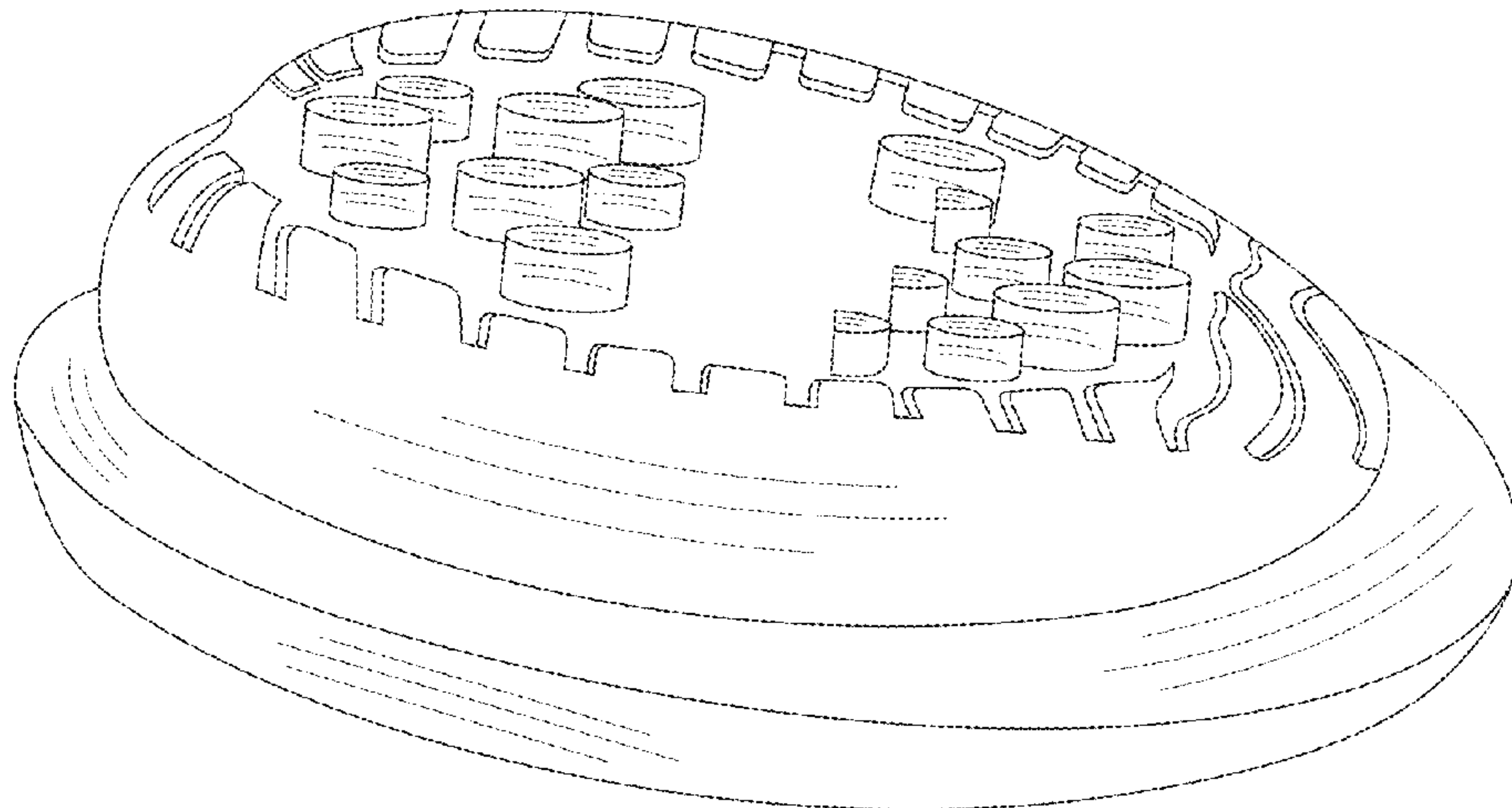
(57) **CLAIM**

The ornamental design for an equine shoe, as shown and described.

DESCRIPTION

FIG. 1 is a top perspective view of an equine shoe showing my new design;
 FIG. 2 is a top view thereof;
 FIG. 3 is a bottom view thereof;
 FIG. 4 is a front view thereof;
 FIG. 5 is a rear view thereof; and,
 FIG. 6 is a side view thereof, both sides are the same.

1 Claim, 5 Drawing Sheets



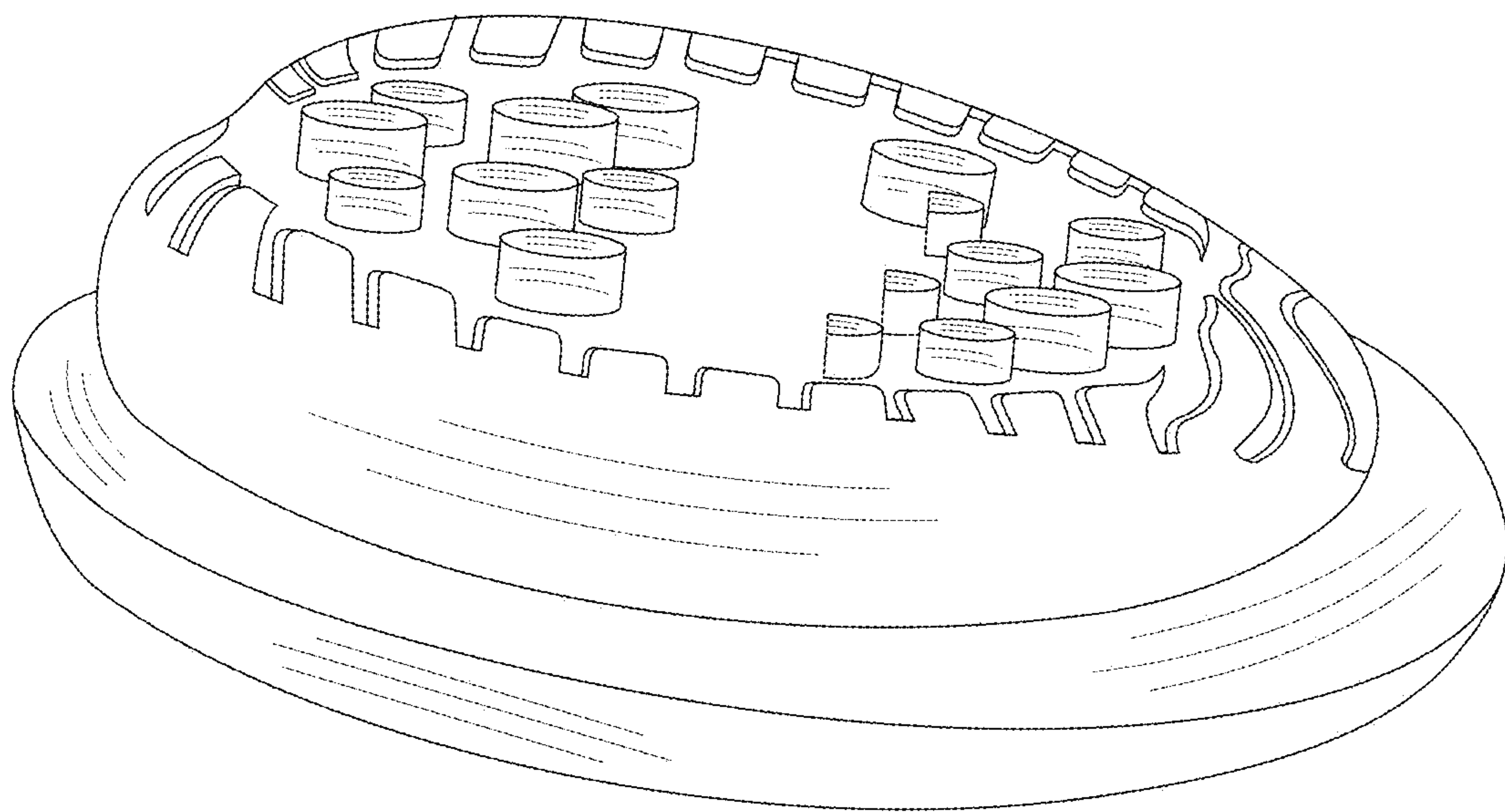


Fig. 1

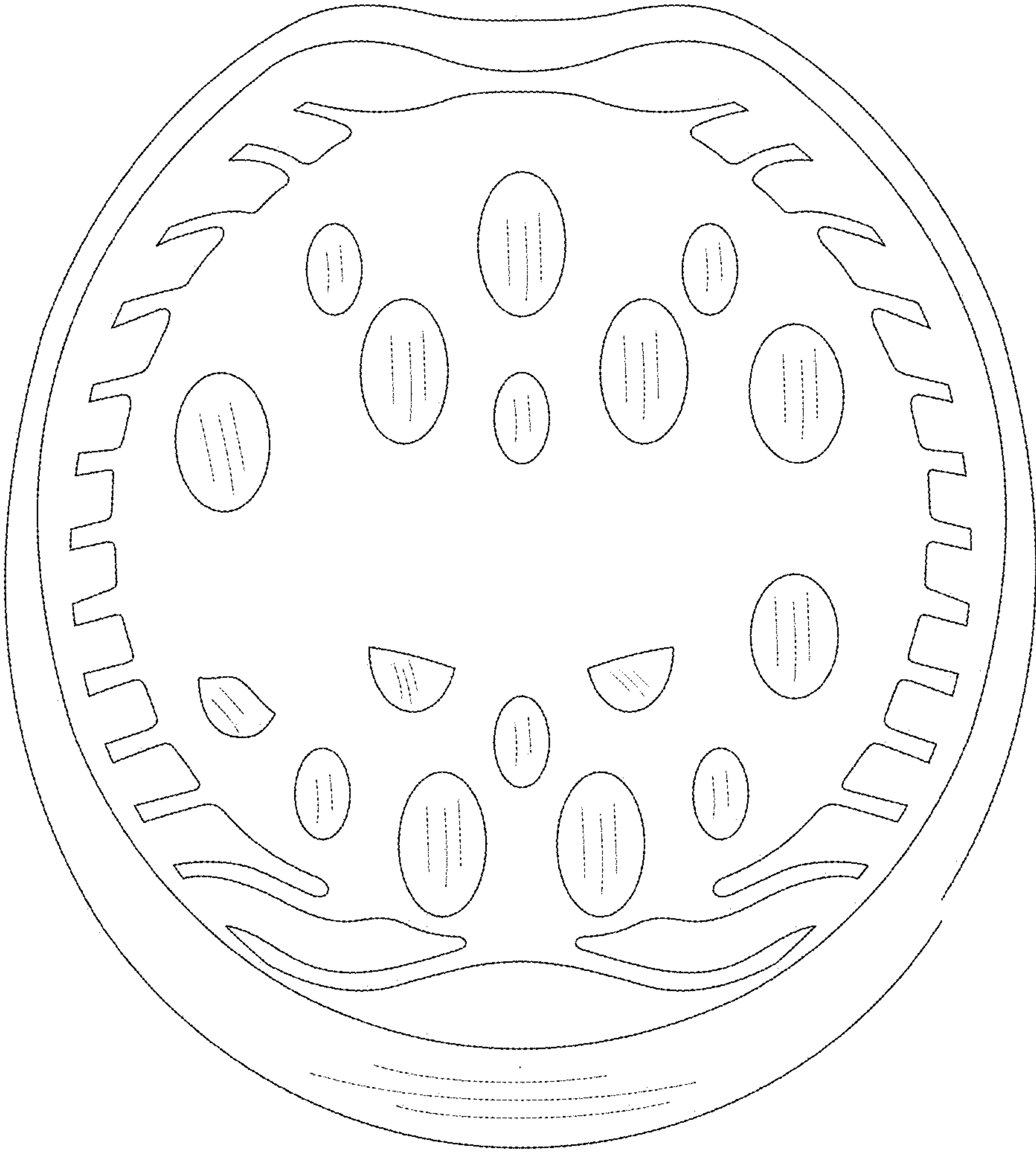


Fig. 2

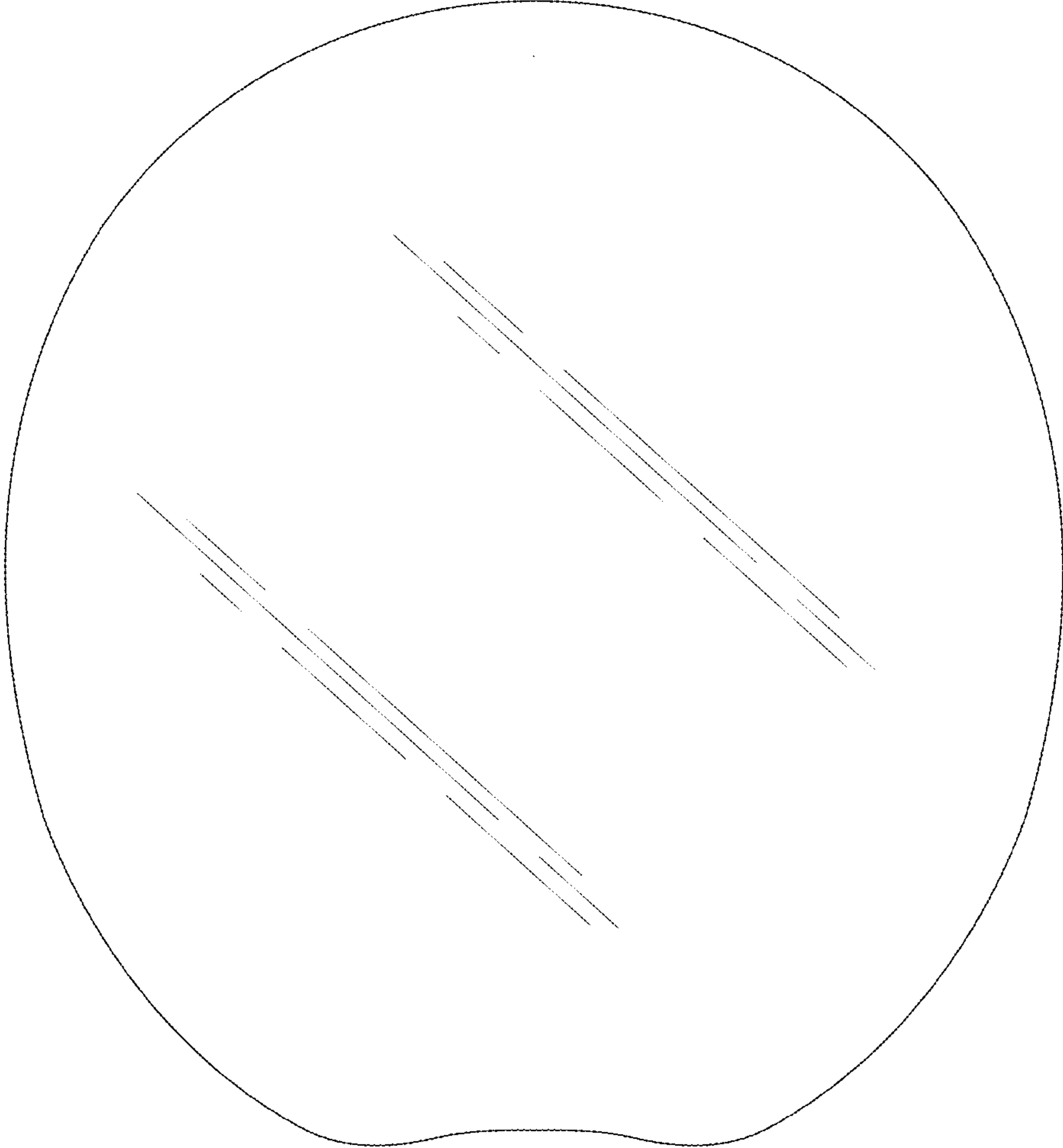


Fig. 3

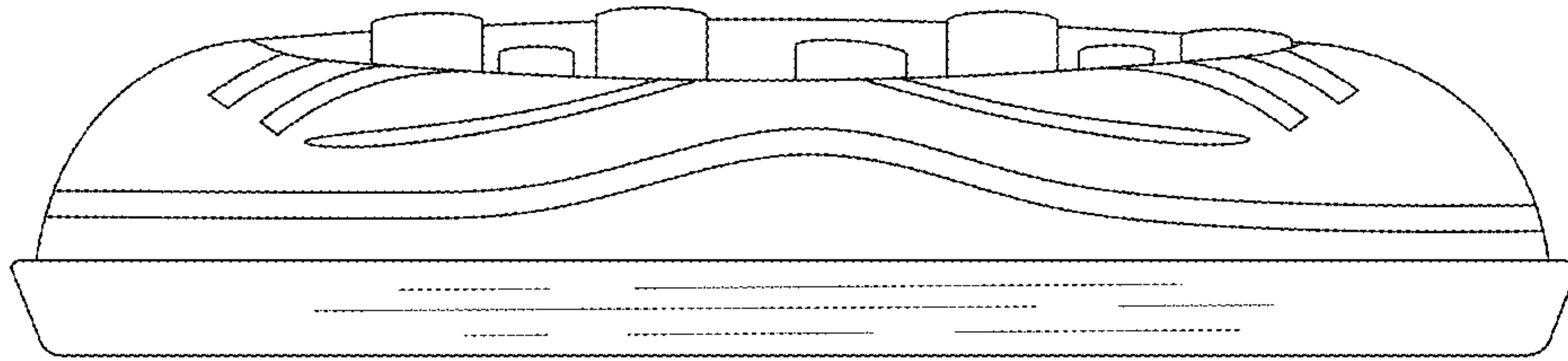


Fig. 4

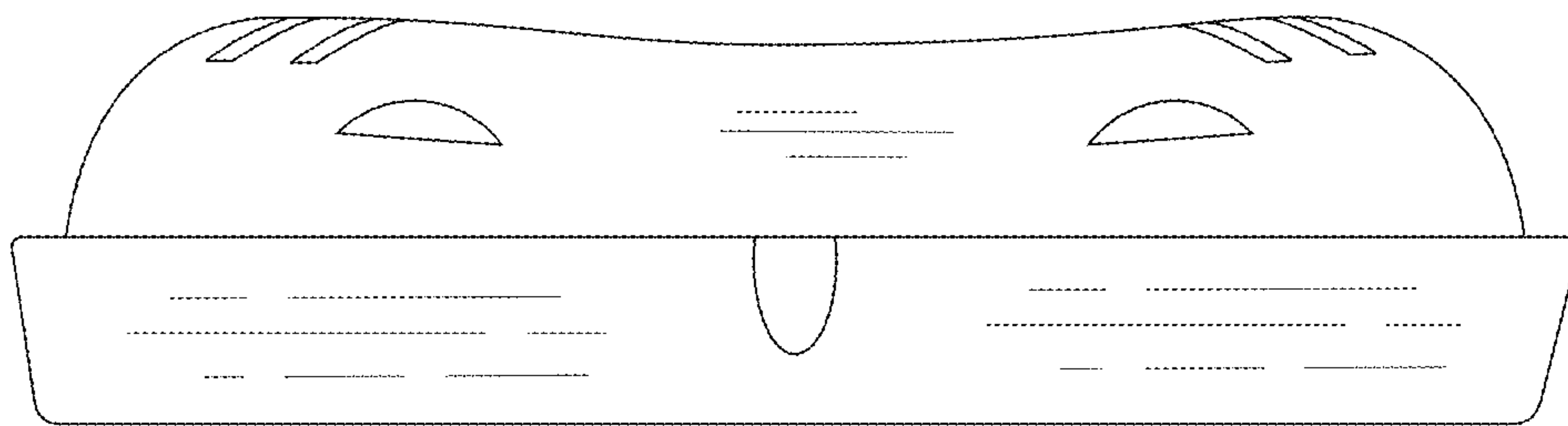


Fig. 5

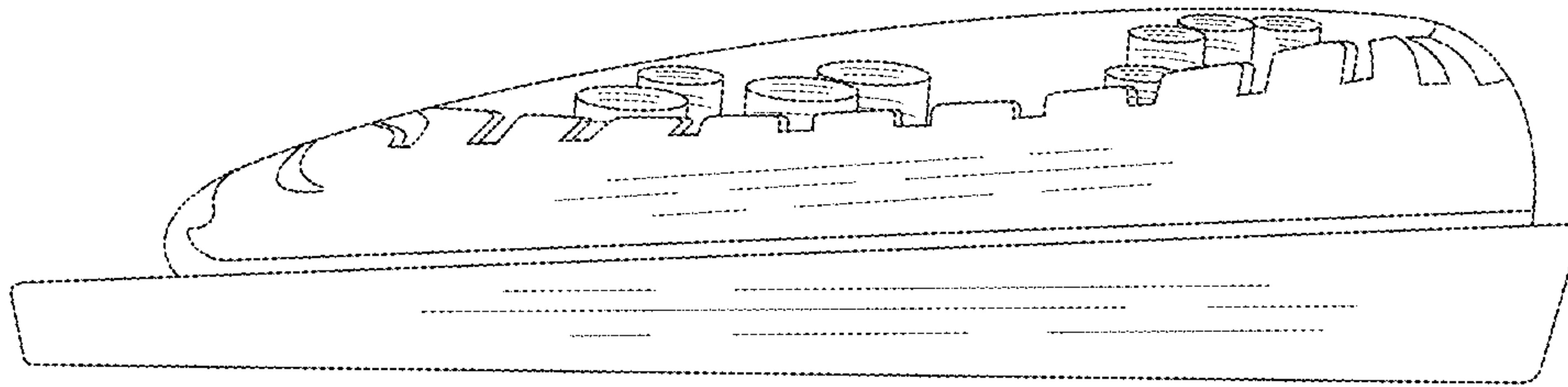


Fig. 6