

US00D940966S

(12) **United States Design Patent**
Murphy

(10) **Patent No.:** **US D940,966 S**
(45) **Date of Patent:** **** Jan. 11, 2022**

- (54) **PET FEEDER**
- (71) Applicant: **Thomas B. Murphy**, Arlington, TX (US)
- (72) Inventor: **Thomas B. Murphy**, Arlington, TX (US)
- (73) Assignee: **DEXAS INTERNATIONAL, LTD.**, Coppel, TX (US)
- (**) Term: **15 Years**
- (21) Appl. No.: **29/747,371**
- (22) Filed: **Aug. 21, 2020**
- (51) **LOC (13) Cl.** **30-03**
- (52) **U.S. Cl.**
USPC **D30/130**
- (58) **Field of Classification Search**
USPC D30/121, 122, 129–133, 199; 119/51.01, 119/51.02, 51.03, 51.11, 51.15, 51.5, 70, 119/52.1, 52.3, 52.4, 53, 53.5, 54, 57.92, 119/61.1, 61.3, 61.5, 61, 52, 61.53, 61.54, 119/61.55, 68, 72, 73, 74, 75, 78, 174; D7/553.1, 553.6, 553.7, 555
CPC . A01K 5/00; A01K 7/00; A01K 39/02; A01K 39/04; A01K 39/0213; A01K 5/0114; A01K 5/0121; A01K 5/0135; A01K 7/005
See application file for complete search history.

- D706,495 S * 6/2014 Hansen D30/121
- D856,604 S * 8/2019 Peart D30/129
- D857,307 S * 8/2019 Miyawaki D30/129
- D874,071 S * 1/2020 Gevaert D30/129
- D895,216 S * 9/2020 Becattini, Jr. D30/129
- D903,208 S * 11/2020 Hu D30/129
- D903,951 S * 12/2020 Hu D30/129
- D904,695 S * 12/2020 Becattini, Jr. D30/129
- D910,932 S * 2/2021 Hu D30/129

(Continued)

OTHER PUBLICATIONS

“Tolopu Extra-Large Square Durable ABS Slow Feeder Dog Bowls” available Oct. 23, 2020, [online], [site visited Sep. 22, 2021]. Retrieved from Internet, URL:https://www.amazon.com/Tolopu-Medium-Anti-Choking-Anti-Gulping-Feeding/dp/B08LPBCPNC/ref=sr_1_50 (Year: 2020).*

(Continued)

Primary Examiner — W. A. Teddy Falloway
Assistant Examiner — Katrina N Gonzalez
(74) *Attorney, Agent, or Firm* — Daniel V. Thompson

(57) **CLAIM**

The ornamental design for a pet feeder, as shown and described.

DESCRIPTION

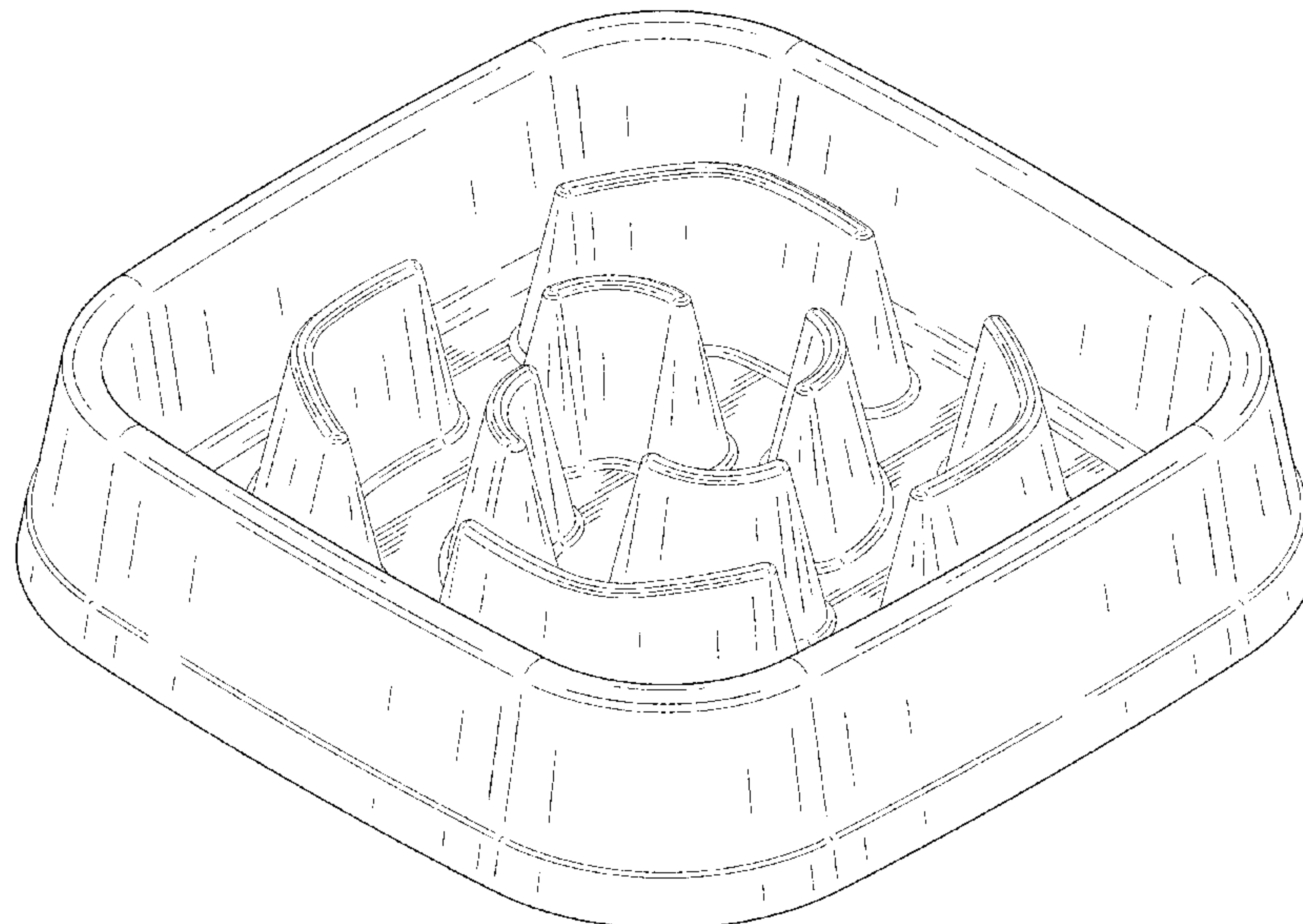
FIG. 1 is a top perspective view of the pet feeder showing my new design;
FIG. 2 is a top plan view thereof;
FIG. 3 is a bottom plan view thereof;
FIG. 4 a right side elevation view thereof, the left side being identical; and,
FIG. 5 is a front elevation view thereof, the rear view being identical.
The broken lines illustrate portions of the pet feeder that form no part of the claimed design.

1 Claim, 4 Drawing Sheets

(56) **References Cited**

U.S. PATENT DOCUMENTS

- D654,230 S * 2/2012 Tedaldi D30/129
- D698,095 S * 1/2014 Paculdo D30/121
- D699,009 S * 2/2014 Hansen D30/121
- D705,999 S * 5/2014 Hansen D30/121
- D706,000 S * 5/2014 Martinez D30/121
- D706,001 S * 5/2014 Hansen D30/121
- D706,493 S * 6/2014 Hansen D30/121
- D706,494 S * 6/2014 Hansen D30/121



(56)

References Cited

U.S. PATENT DOCUMENTS

D927,797 S * 8/2021 Sharer D30/130
2013/0305996 A1* 11/2013 Lindskov A01K 5/0114
119/61.1

OTHER PUBLICATIONS

“UPSKY Slow Feeder” available Apr. 25, 2019, [online], [site visited Oct. 22, 2021]. Retrieved from Internet, URL:https://www.amazon.com/UPSKY-Feeder-Interactive-Anti-Choking-Macaroon/dp/B07PYN9B6X/ref=sr_1_53 (Year: 2019).*

“FIETING Slow Feeder Dog Bowls” available Sep. 10, 2020, [online], [site visited Sep. 22, 2021]. Retrieved from Internet, URL:https://www.amazon.com/FIETING-Feeder-Interactive-Eco-Friendly-Healthy/dp/B08HRRYHFW/ref=sr_1_57 (Year: 2020).*

“Slow Dog Bowl Pet Slow Feeder” available Apr. 10, 2021, [online], [site visited Sep. 22, 2021]. Retrieved from Internet, URL:<https://cults3d.com/en/3d-model/home/slow-dog-bowl-pet-slow-feeder> (Year: 2021).*

* cited by examiner

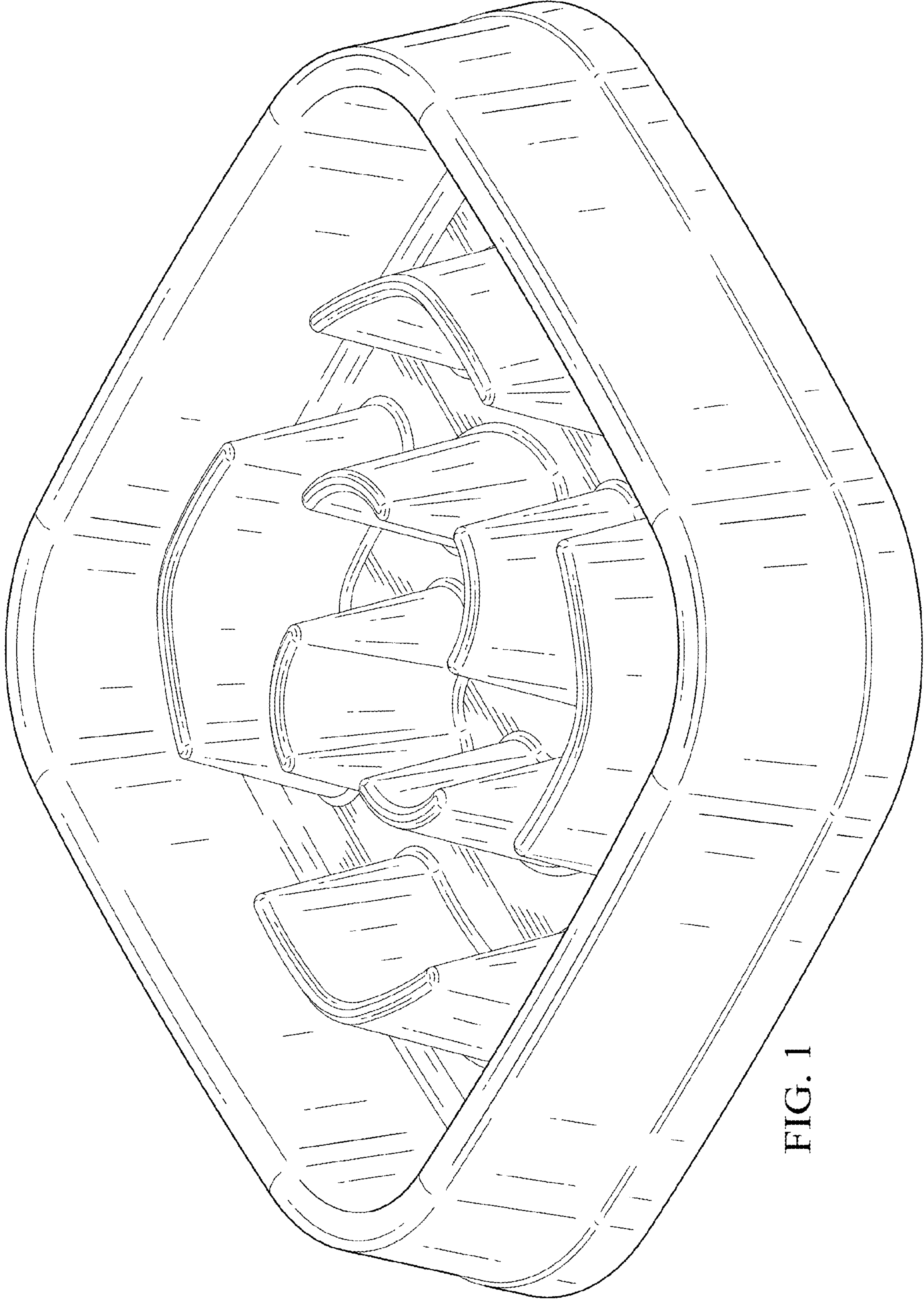


FIG. 1

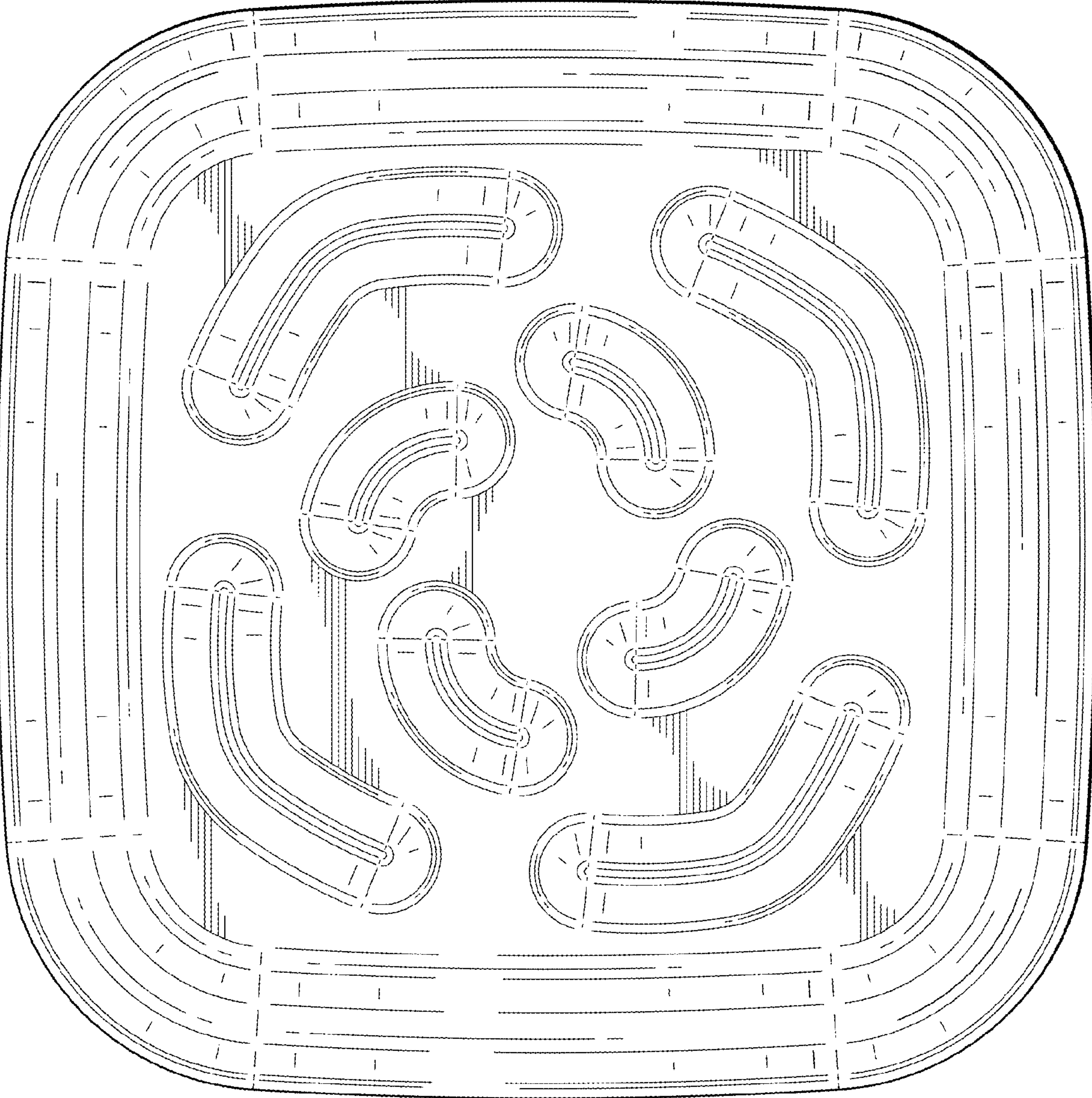


FIG. 2

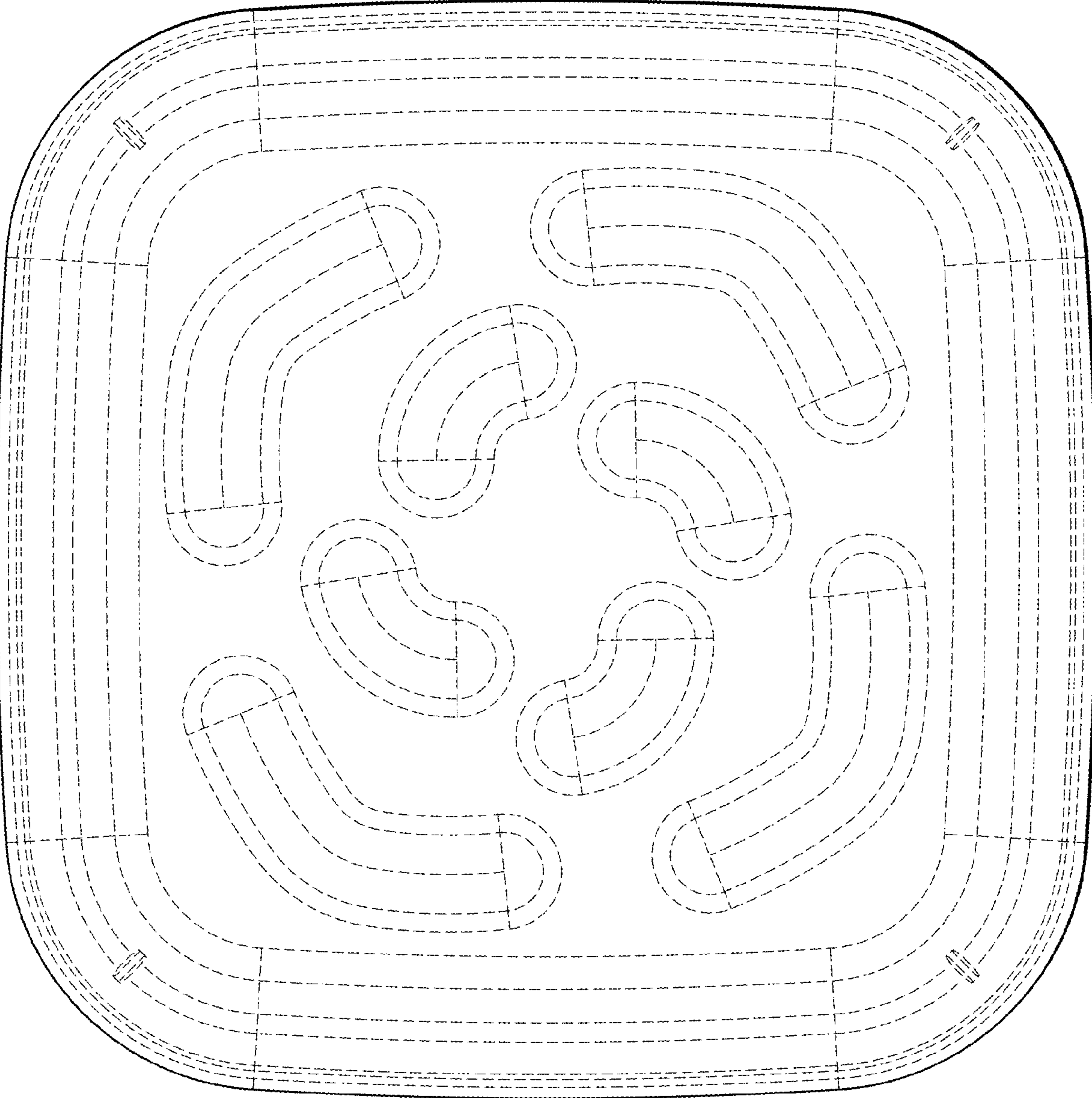


FIG. 3

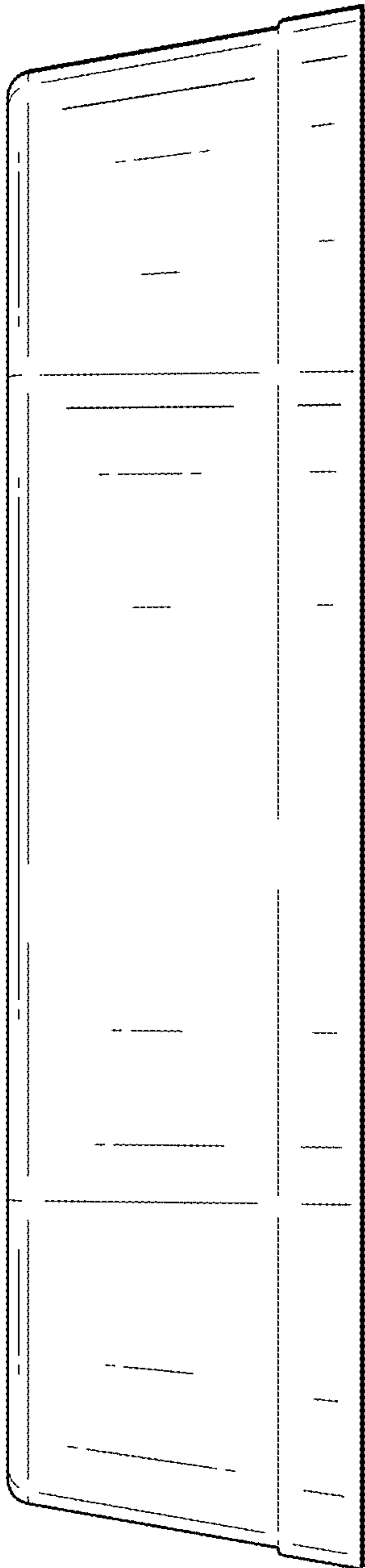


FIG. 4

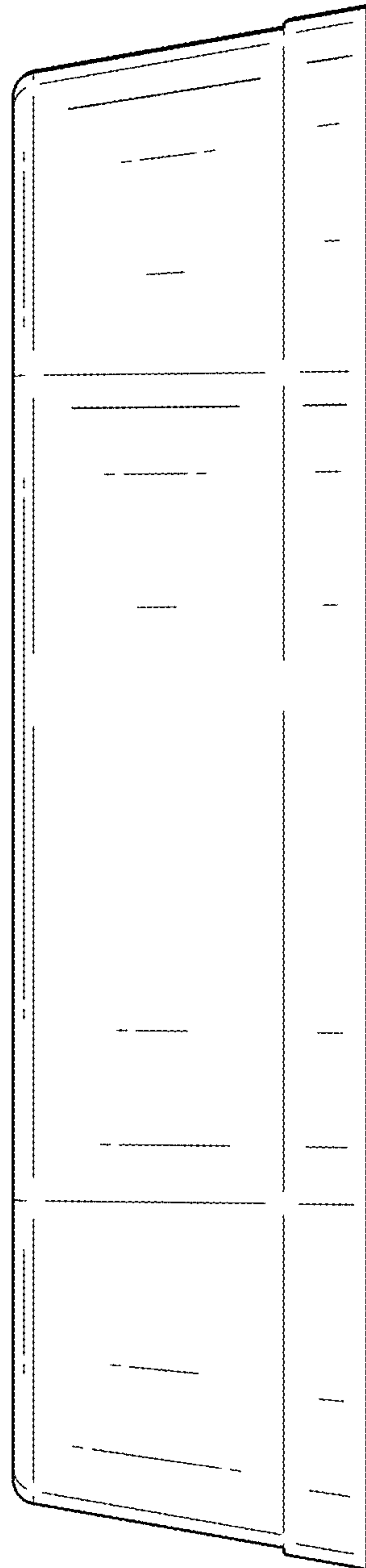


FIG. 5