



US00D940958S

(12) **United States Design Patent** (10) **Patent No.:** **US D940,958 S**
Langberg et al. (45) **Date of Patent:** **** Jan. 11, 2022**

(54) **ARTICULATING BLADE ASSEMBLY FOR HAIR REMOVAL DEVICE**

2,181,038 A 11/1939 Wimberger
2,251,577 A 8/1941 Rand, Jr.
2,609,602 A 9/1952 Harshberger

(Continued)

(71) Applicant: **Church & Dwight Co., Inc.**, Princeton, NJ (US)

FOREIGN PATENT DOCUMENTS

(72) Inventors: **Eric Langberg**, Milford, PA (US);
Aaron Szymanski, Thomaston, CT (US)

CH 229244 10/1943
CN 204263191 4/2015

(Continued)

(73) Assignee: **Church & Dwight Co., Inc.**, Princeton, NJ (US)

OTHER PUBLICATIONS

(**) Term: **15 Years**

Finishing Touch Flawless Nu Razor Portable Cordless Rechargeable Electric Razor [online], [site visited Jun. 2, 2021]. Available from internet, URL: <<https://www.amazon.com/Finishing-Touch-Flawless/dp/B087VB3QQP>> (Year: 2020).*

(Continued)

(21) Appl. No.: **29/713,697**

(22) Filed: **Nov. 18, 2019**

(51) **LOC (13) Cl.** **28-03**

(52) **U.S. Cl.**
USPC **D28/54**

(58) **Field of Classification Search**
USPC D28/49-54
CPC B26B 19/00; B26B 19/02; B26B 19/04;
B26B 19/042; B26B 19/044; B26B 19/046; B26B 19/048; B26B 19/06; B26B 19/063; B26B 19/066; B26B 19/08; B26B 19/10; B26B 19/102; B26B 19/105; B26B 19/107; B26B 19/12; B26B 19/20; B26B 19/205; B26B 19/22; B26B 19/24; B26B 19/26; B26B 19/265; B26B 19/3806; B26B 19/3813; B26B 19/382; B26B 19/3826; B26B 19/3893; B26B 19/42
See application file for complete search history.

Primary Examiner — Cynthia Ramirez

Assistant Examiner — Xavier Marti-Santos

(74) *Attorney, Agent, or Firm* — Womble Bond Dickinson (US) LLP

(57) **CLAIM**

The ornamental design for an articulating blade assembly for hair removal device, as shown and described.

DESCRIPTION

FIG. 1 is a front perspective view of an articulating blade assembly for hair removal device of the present invention showing our new design;

FIG. 2 is a front view thereof;

FIG. 3 is a back view thereof;

FIG. 4 is a side view thereof;

FIG. 5 is a top plan view thereof; and,

FIG. 6 is a bottom plan view thereof.

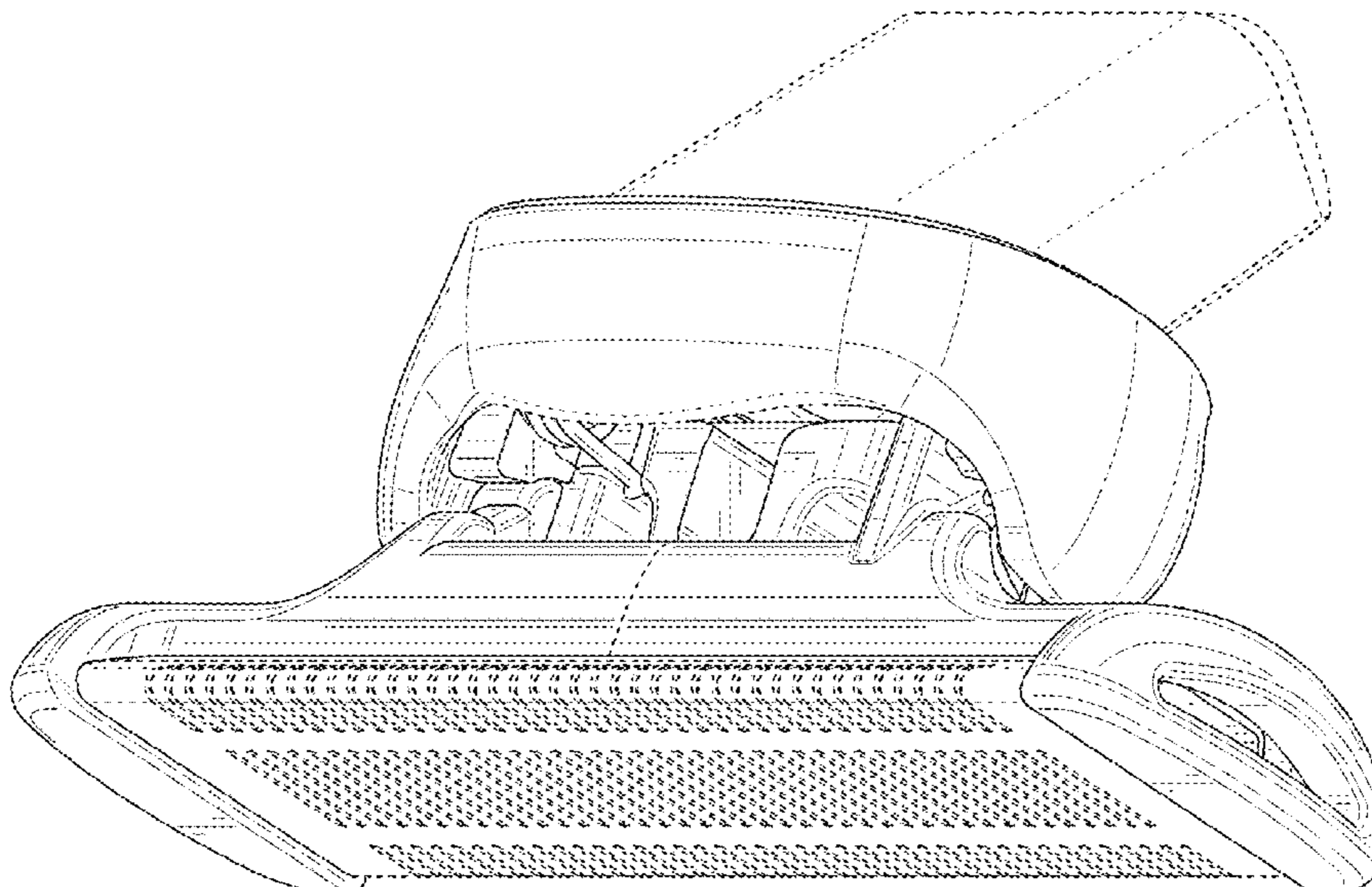
The broken lines in the figures are for the purpose of illustrating portions of the articulating blade assembly for hair removal device, which form no part of the claimed design.

(56) **References Cited**

U.S. PATENT DOCUMENTS

2,141,582 A 12/1938 Wimberger
2,151,965 A 3/1939 Hanley

1 Claim, 6 Drawing Sheets



(56)

References Cited

U.S. PATENT DOCUMENTS

3,144,714 A 8/1964 Beisma
 3,274,682 A 9/1966 Worthington
 D219,699 S 1/1971 Poisson
 3,636,627 A 1/1972 Tiffin
 D230,219 S 1/1974 Glaberson et al.
 4,037,322 A 7/1977 Bresler
 4,083,102 A 4/1978 Harshberger
 D276,562 S 11/1984 Mizobata et al.
 4,744,144 A 5/1988 Lowery, Sr. et al.
 4,819,330 A 4/1989 Fenn et al.
 4,914,816 A 4/1990 Fenn et al.
 D311,971 S 11/1990 Faerber
 5,007,169 A 4/1991 Motta
 D361,637 S 8/1995 Miskin
 5,579,581 A 12/1996 Melton
 5,606,799 A 3/1997 Melton
 D437,661 S 2/2001 Pinchuk
 D506,034 S 6/2005 Cornelissen
 6,966,116 B2 11/2005 Peter et al.
 7,028,405 B2 4/2006 Paas et al.
 7,103,980 B2 9/2006 Leventhal
 7,325,311 B2 2/2008 Shimizu
 7,464,471 B2 12/2008 Fukutani et al.
 D593,254 S 5/2009 Tamsiran
 7,654,003 B2 2/2010 Simms et al.
 D646,438 S 10/2011 Leventhal et al.
 8,136,250 B2 3/2012 Floessholzer
 8,141,254 B2 3/2012 Shimizu
 D657,912 S 4/2012 Yoon
 8,458,908 B2 6/2013 Fischer et al.
 8,590,162 B2 11/2013 Park et al.
 D713,994 S 9/2014 Grabes et al.
 D751,252 S 3/2016 Grabes et al.
 D758,016 S 5/2016 Andersson
 D758,661 S 6/2016 Andersson
 D758,662 S 6/2016 De Klein
 9,381,655 B2 7/2016 Lau
 D776,878 S * 1/2017 Andersson D28/54
 9,950,435 B2 4/2018 Binder
 D824,106 S 7/2018 Teteak
 D824,107 S 7/2018 Teteak
 D827,933 S 9/2018 Teteak
 D828,627 S * 9/2018 Szymanski D28/51
 10,081,114 B2 9/2018 Sablatschan
 D836,247 S 12/2018 Van Maanen et al.
 D849,325 S * 5/2019 Szymanski D28/51
 10,406,702 B2 9/2019 Vredeveld et al.
 10,421,203 B2 9/2019 Perez Lopez et al.
 10,434,670 B2 10/2019 Lev
 10,449,682 B2 10/2019 Eijkelkamp et al.
 10,486,316 B2 11/2019 Erndt et al.
 D873,490 S * 1/2020 Khubani D28/51
 D884,973 S * 5/2020 Khubani D28/51
 D891,696 S * 7/2020 Maanen D28/44
 D912,322 S * 3/2021 Cociffi D28/44.1
 D912,898 S * 3/2021 Kling D28/44.1
 D914,977 S 3/2021 Szymanski et al.
 D914,978 S * 3/2021 Langberg D28/51
 2005/0034307 A1 2/2005 Brzezinski
 2008/0250645 A1 10/2008 Tringali et al.
 2009/0056139 A1 3/2009 Royle
 2012/0103928 A1 * 5/2012 Jessemey A45D 27/00
 215/378
 2012/0151774 A1 6/2012 Shimizu et al.
 2012/0304467 A1 12/2012 Garden, Jr.
 2013/0192068 A1 8/2013 Kammer et al.
 2013/0312264 A1 11/2013 Cohen
 2015/0158192 A1 6/2015 Tucker et al.
 2016/0059428 A1 3/2016 Lau
 2016/0271814 A1 9/2016 Bennik et al.
 2017/0008182 A1 1/2017 Tucker et al.
 2017/0144319 A1 5/2017 Sablatschan
 2017/0173804 A1 6/2017 Worth
 2017/0190063 A1 * 7/2017 Schratte B26B 19/042
 2018/0085940 A1 3/2018 Krauss et al.

2018/0085945 A1 3/2018 Bady et al.
 2018/0085951 A1 3/2018 Krauss et al.
 2018/0104834 A1 4/2018 Zuidervaart et al.
 2018/0257248 A1 9/2018 Wu
 2018/0326602 A1 11/2018 Khubani et al.
 2019/0176355 A1 6/2019 Mazarakis et al.
 2019/0299453 A1 10/2019 Bourque et al.
 2019/0299466 A1 10/2019 Goeder et al.
 2019/0299473 A1 10/2019 Johnson et al.
 2019/0299474 A1 10/2019 Bourque et al.
 2019/0299477 A1 10/2019 Johnson et al.
 2019/0315006 A1 10/2019 Park et al.
 2020/0061856 A1 2/2020 Musallam et al.
 2020/0376695 A1 12/2020 Feijen et al.
 2021/0023729 A1 * 1/2021 Langberg B26B 19/3873
 2021/0129364 A1 * 5/2021 Langberg B26B 21/4031

FOREIGN PATENT DOCUMENTS

CN 205111905 3/2016
 CN 206066504 4/2017
 CN 106808504 6/2017
 CN 107088895 8/2017
 CN 107186759 9/2017
 CN 304276517 9/2017
 CN 206633052 11/2017
 CN 304428668 12/2017
 CN 206869919 1/2018
 CN 206869923 1/2018
 CN 206913195 1/2018
 CN 304561859 3/2018
 CN 304561861 3/2018
 CN 207273272 4/2018
 CN 207402820 5/2018
 CN 207824944 9/2018
 CN 208051971 11/2018
 CN 208246876 12/2018
 CN 109366531 2/2019
 CN 109822627 5/2019
 CN 208812155 5/2019
 CN 104647417 6/2019
 CN 109866258 6/2019
 CN 209175783 7/2019
 CN 110091364 8/2019
 CN 110154093 8/2019
 CN 110154094 8/2019
 CN 305368569 9/2019
 CN 305377844 10/2019
 CN 305377845 10/2019
 CN 305394347 10/2019
 CN 306192768 * 4/2020
 DE 20 2016 10099 3/2016
 EM 006276119-0001 3/2019
 EM 006542189-0001 9/2019
 EM 006542619-0001 9/2019
 EM 007798319-0006 * 4/2020
 EM 008285407-0001 * 6/2020
 EP 1 763 422 11/2007
 EP 1 644 162 5/2008
 EP 1 732 736 12/2008
 EP 1 866 129 11/2009
 EP 1 963 057 3/2011
 EP 1 536 928 1/2012
 EP 2 227 359 2/2013
 EP 2 875 916 5/2015
 EP 2 804 723 4/2016
 EP 2 747 958 9/2016
 EP 2 747 962 9/2016
 EP 3 071 375 9/2016
 EP 3 046 736 3/2017
 EP 3 049 219 3/2017
 EP 3 052 281 5/2017
 EP 3 052 278 3/2018
 EP 3 131 711 3/2018
 EP 3 131 715 3/2018
 EP 3 071 376 5/2018
 EP 3 131 713 6/2018
 EP 3 131 714 6/2018
 EP 3 131 716 6/2018

(56)

References Cited

FOREIGN PATENT DOCUMENTS

EP	3 142 834	7/2018
EP	3 240 658	8/2018
EP	3 388 207	10/2018
EP	3 388 208	10/2018
EP	3 388 209	10/2018
EP	3 409 432	12/2018
EP	3 415 288	12/2018
EP	2 857 154	2/2019
EP	3 052 279	2/2019
EP	3 052 280	3/2019
EP	3 450 119	3/2019
EP	3 461 602	4/2019
EP	3 466 619	4/2019
EP	3 052 277	5/2019
EP	3 164 249	5/2019
EP	3 131 712	6/2019
EP	3 071 374	8/2019
EP	3 288 727	9/2019
EP	3 194 125	11/2019
EP	3 261 810	4/2020

EP	3 297 797	4/2020
GB	9008285407-0002	* 11/2020
JP	H06-154435	6/1994
JP	D160618	4/2018
JP	D1642657	9/2019
JP	D1679398	* 4/2020
KR	3010982000006	* 4/2020
WO	WO 2018/068353	4/2018
WO	WO 2018/157113	8/2018
WO	WO 2018/227319	12/2018
WO	WO 2019/018104	1/2019
WO	WO 2019/110335	6/2019

OTHER PUBLICATIONS

NOOA Cordless Rechargeable Hair Trimmer [online], [site visited Jun. 2, 2021]. Available from internet, URL: <<https://www.amazon.com/dp/B083DST87X/>> (Year: 2020).*
<https://www.ulta.com/flawless-nu-razor?productid=pimprod2017011> Flawless Nu Razor, www.ulta.com, 1 page, reviewed as early as 6, 2020 (Year: 2020).

* cited by examiner

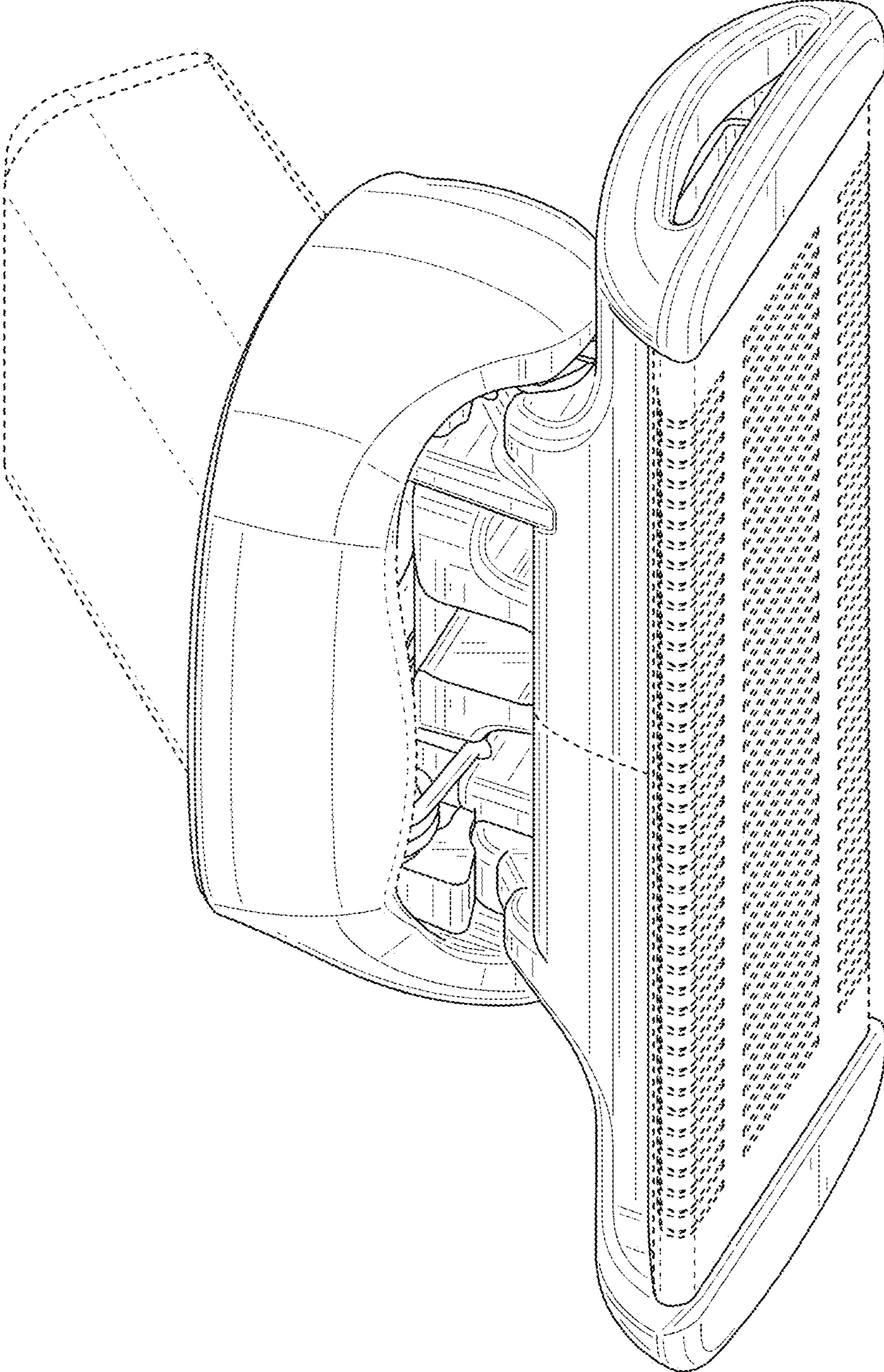


FIG. 1

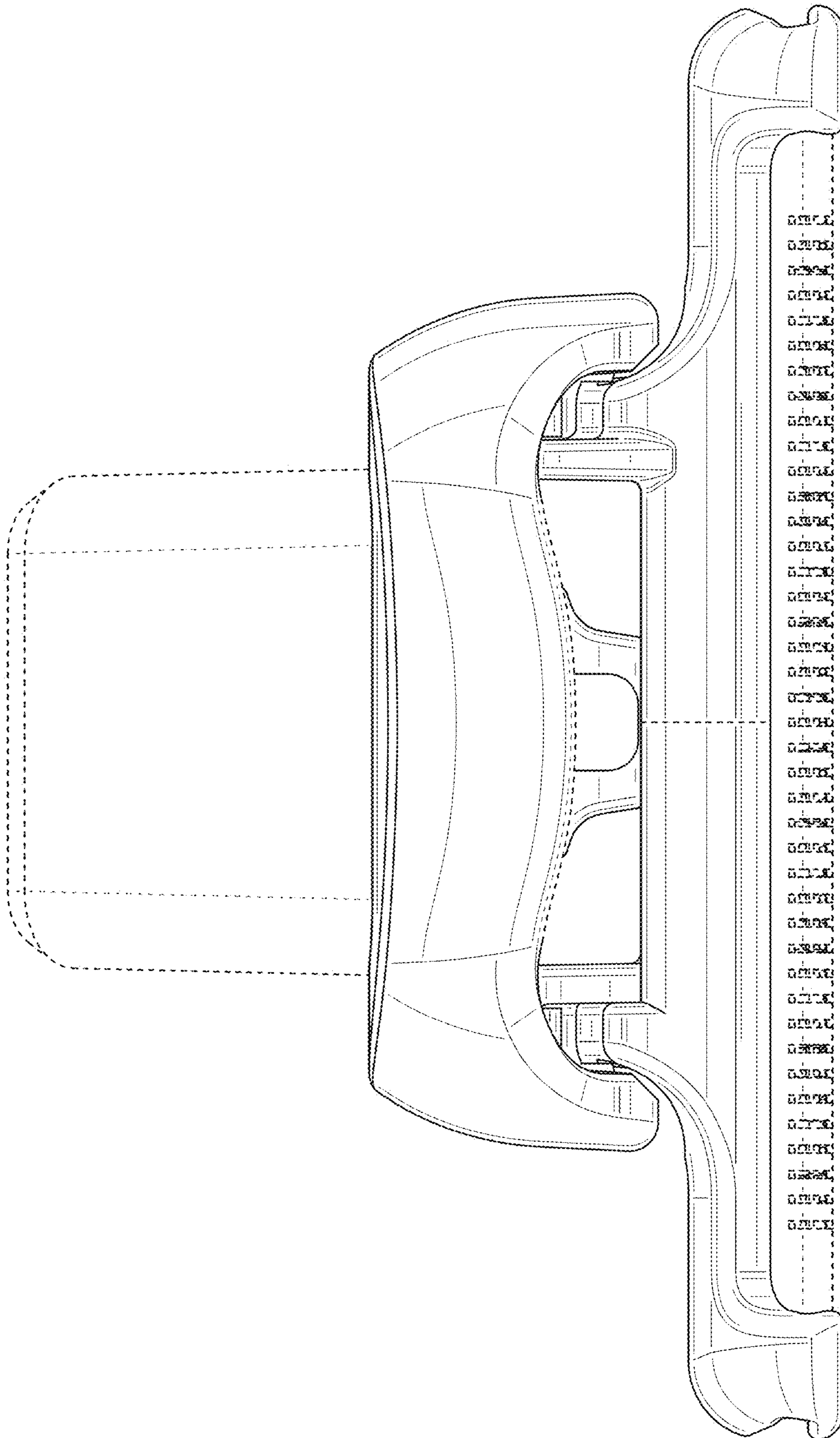


FIG. 2

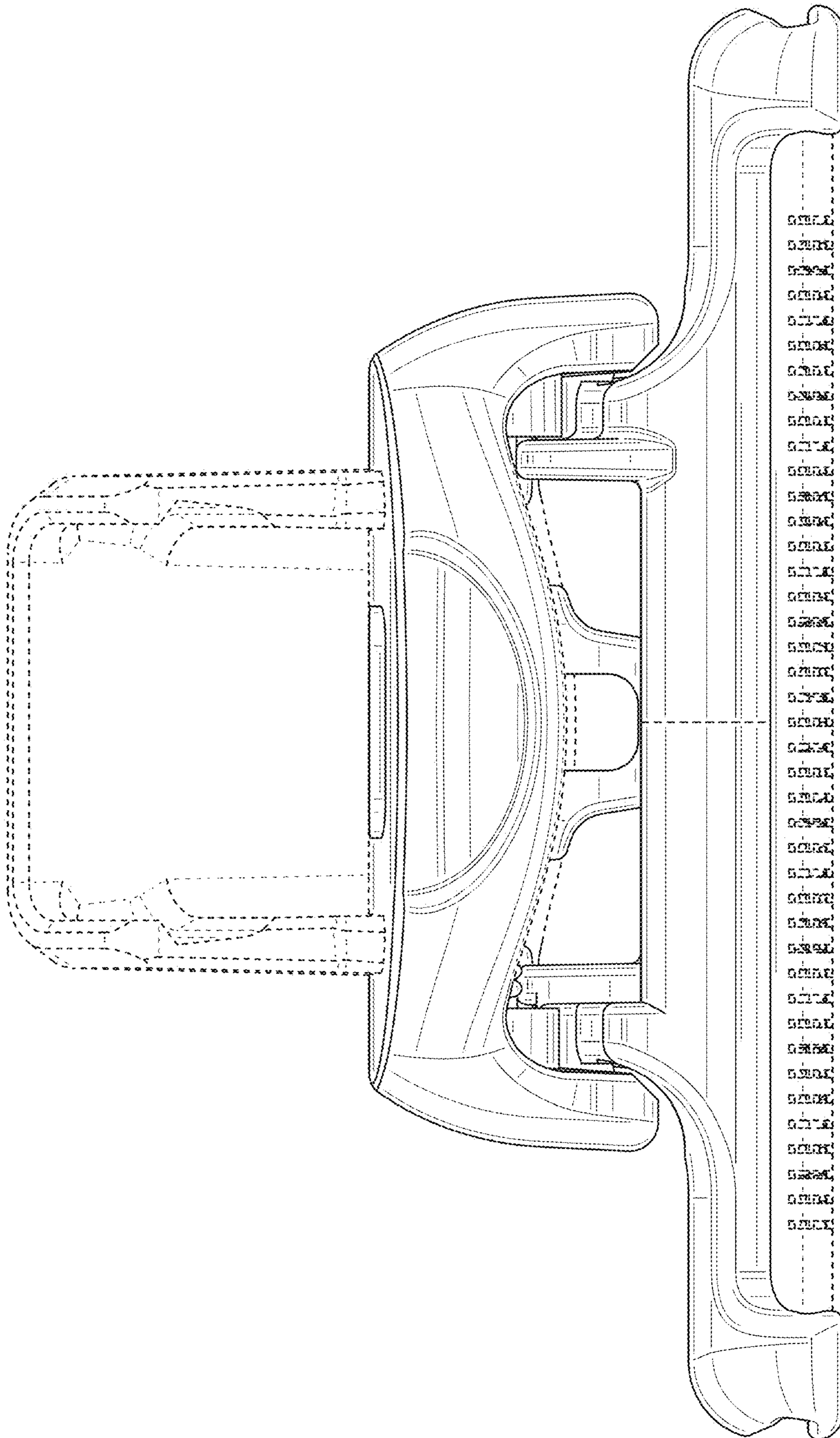


FIG. 3

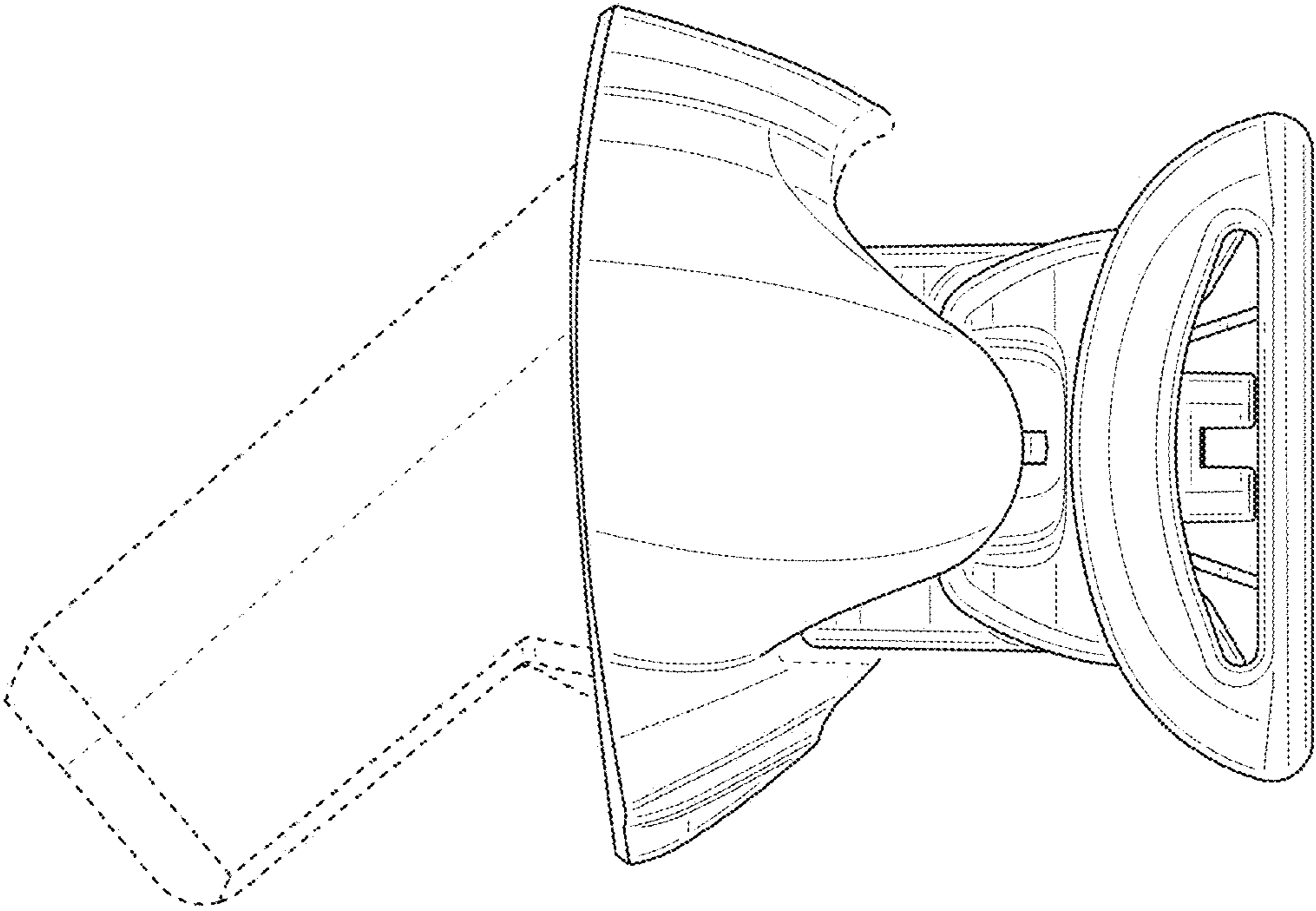


FIG. 4

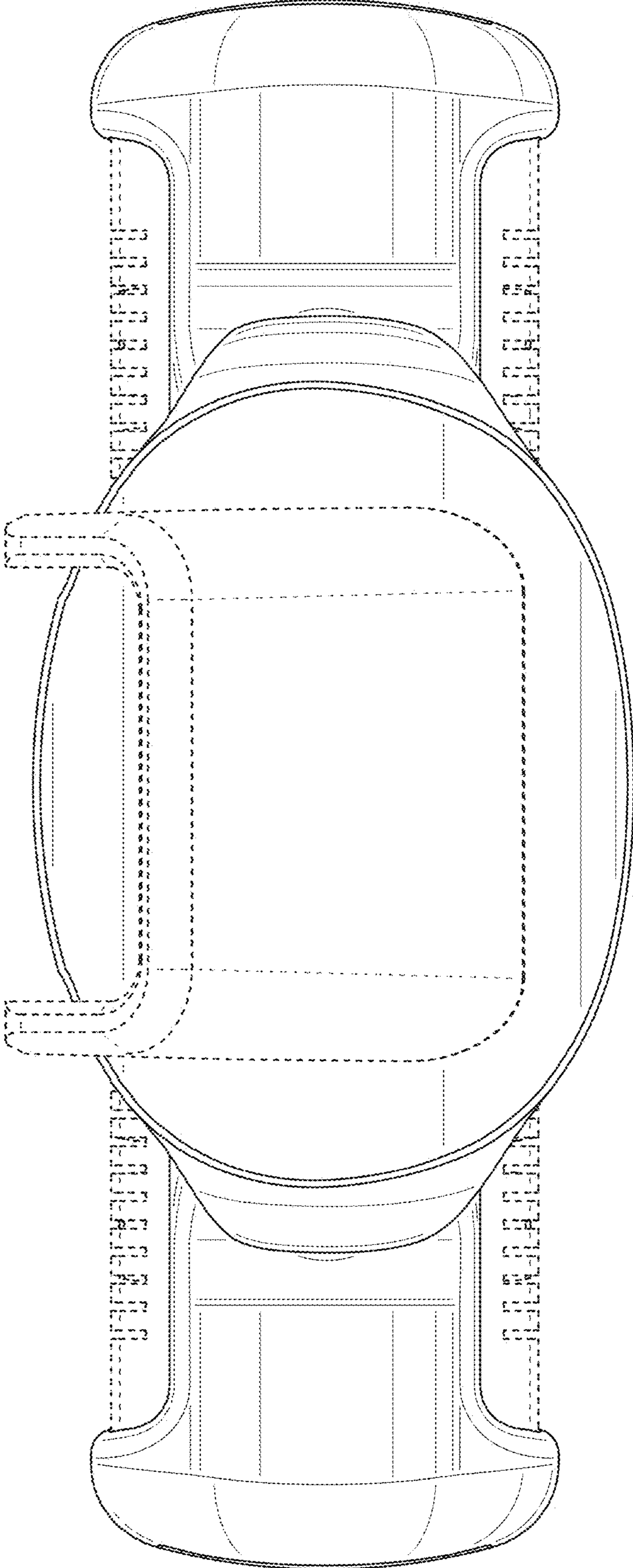


FIG. 5

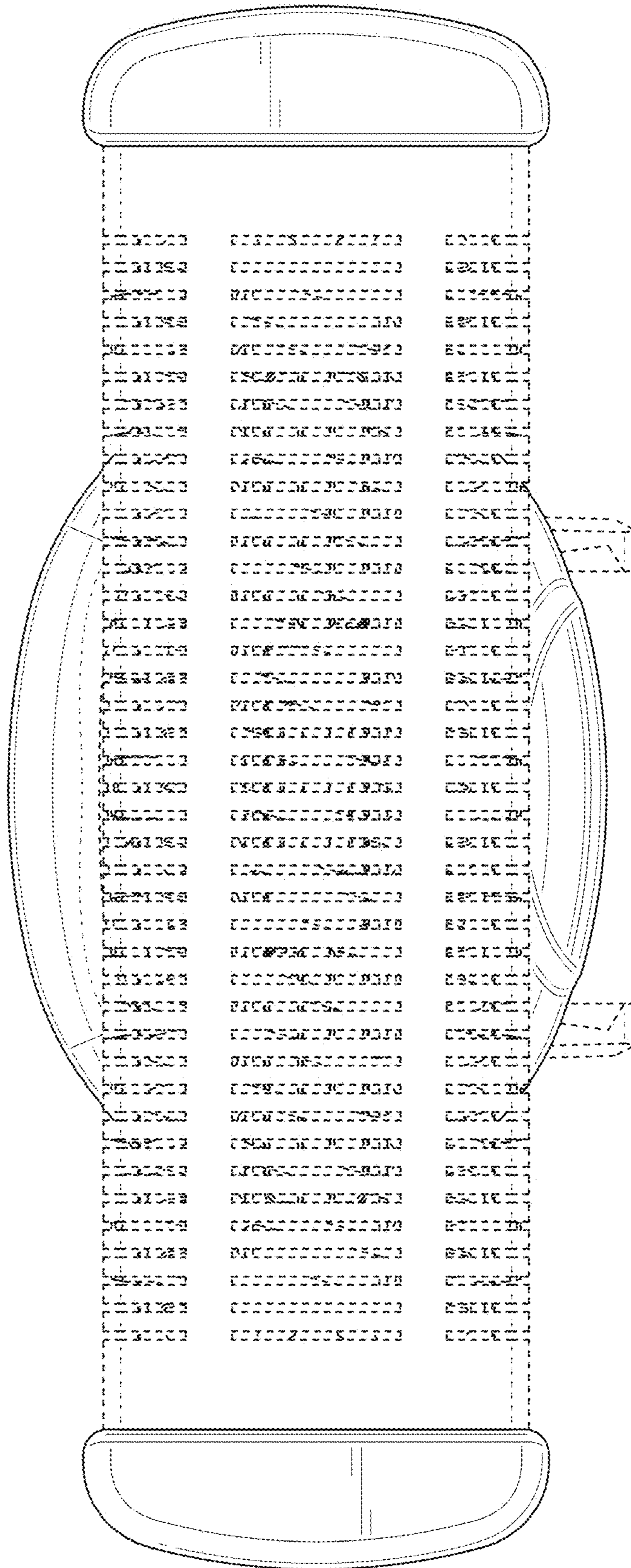


FIG. 6