



US00D940957S

(12) **United States Design Patent** (10) **Patent No.:** **US D940,957 S**
Xiong (45) **Date of Patent:** **** Jan. 11, 2022**

(54) **SHAVER**
(71) Applicant: **NINGBO TIANCHAO ELECTRICAL APPLIANCE CO., LTD., Ningbo (CN)**
(72) Inventor: **Jianxin Xiong, Ningbo (CN)**
(73) Assignee: **NINGBO TIANCHAO ELECTRICAL APPLIANCE CO., LTD., Ningbo (CN)**

D841,887 S * 2/2019 Stowers D28/50
10,300,619 B2 * 5/2019 Khubani B26B 19/3833
D865,291 S * 10/2019 Xiong D28/50
D882,874 S * 4/2020 Peng
D888,340 S * 6/2020 Wei
D907,851 S * 1/2021 Lombardo D28/50
D907,852 S * 1/2021 Lombardo D28/50
D911,610 S * 2/2021 Zhang D28/50
D915,673 S * 4/2021 Neinae D28/50
D921,295 S * 6/2021 Khubani D28/50
2020/0254638 A1 * 8/2020 Khubani B26B 19/3826

(**) Term: **15 Years**
(21) Appl. No.: **29/759,273**
(22) Filed: **Nov. 20, 2020**
(51) **LOC (13) Cl.** **28-03**
(52) **U.S. Cl.**
USPC **D28/50; D28/90**
(58) **Field of Classification Search**
USPC D28/50-54, 85-90
CPC ... B26B 19/3853; B26B 19/14; B26B 19/141;
B26B 19/143; B26B 19/145; B26B
19/146; B26B 19/148
See application file for complete search history.

(56) **References Cited**
U.S. PATENT DOCUMENTS
D191,448 S * 10/1961 Veersema D28/50
D305,806 S * 1/1990 Fujisawa D28/50
D307,491 S * 4/1990 Okada D28/50
D476,444 S * 6/2003 Hara et al.
D558,399 S * 12/2007 Seki et al.
D646,024 S * 9/2011 Leventhal et al.
D674,558 S * 1/2013 Ino D28/53
D703,378 S * 4/2014 Grabes et al.
D723,217 S * 2/2015 Wong
D813,456 S * 3/2018 Christofidellis
D836,840 S * 12/2018 Khubani D28/50
D841,247 S * 2/2019 Stowers D28/50

OTHER PUBLICATIONS

Facial Hair Removal for Women Lipstick Shaped by Ligttlemeee, www.amazon.com, 1 page, First available May 7, 2021 (Year: 2021).*
USB Rechargeable Facial Hair Removal for Women by Vimdiff, www.amazon.com, 1 page, reviewed Jan. 2021 (Year: 2021).*

* cited by examiner

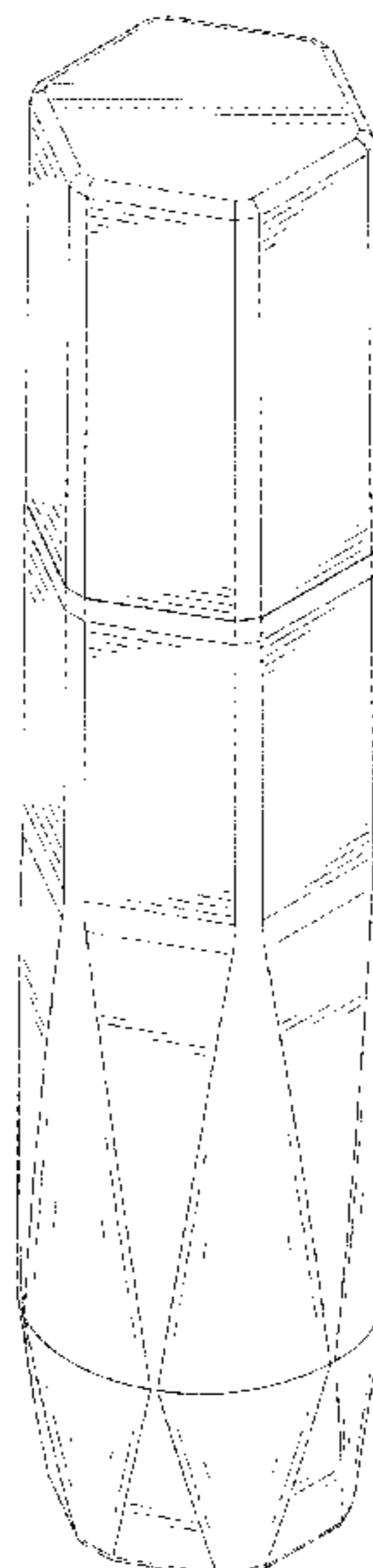
Primary Examiner — Jennifer Rivard
(74) *Attorney, Agent, or Firm* — Law Offices of Steven W. Weinrieb

(57) **CLAIM**
The ornamental design for a shaver, as shown and described.

DESCRIPTION

FIG. 1 is a front, right side, top perspective view of a shaver showing my new design;
FIG. 2 is a front elevational view thereof;
FIG. 3 is a rear elevational view thereof;
FIG. 4 is a left side elevational view thereof;
FIG. 5 is a right side elevational view thereof;
FIG. 6 is a top plan view thereof;
FIG. 7 is a bottom plan view thereof; and,
FIG. 8 is a rear, left side, bottom perspective view thereof.

1 Claim, 8 Drawing Sheets



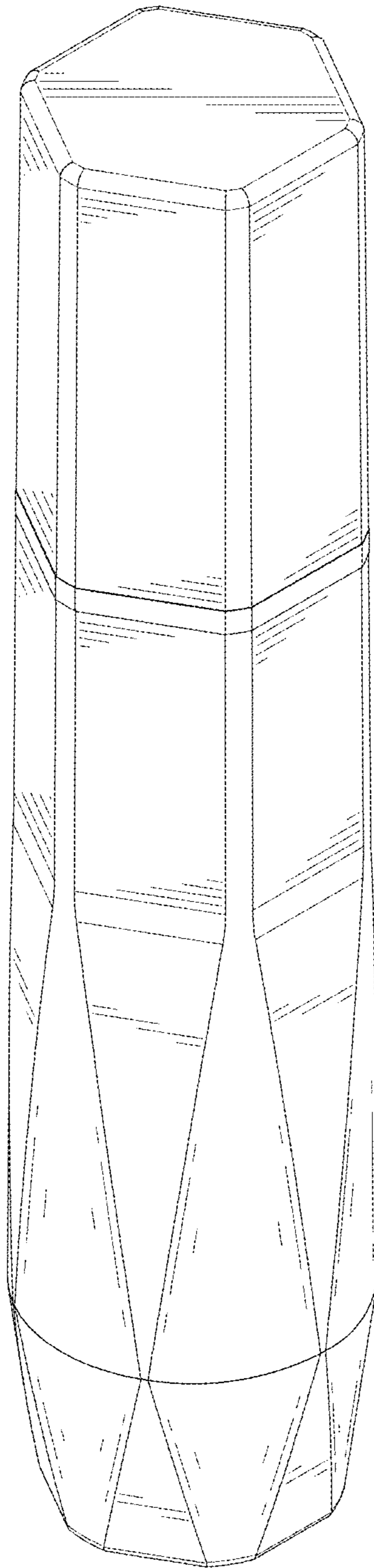


FIG.1

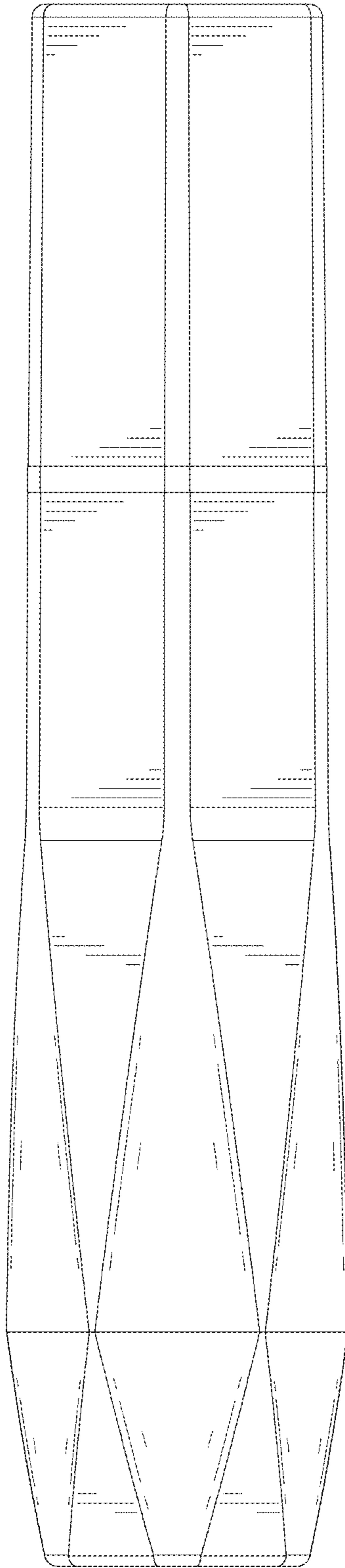


FIG.2

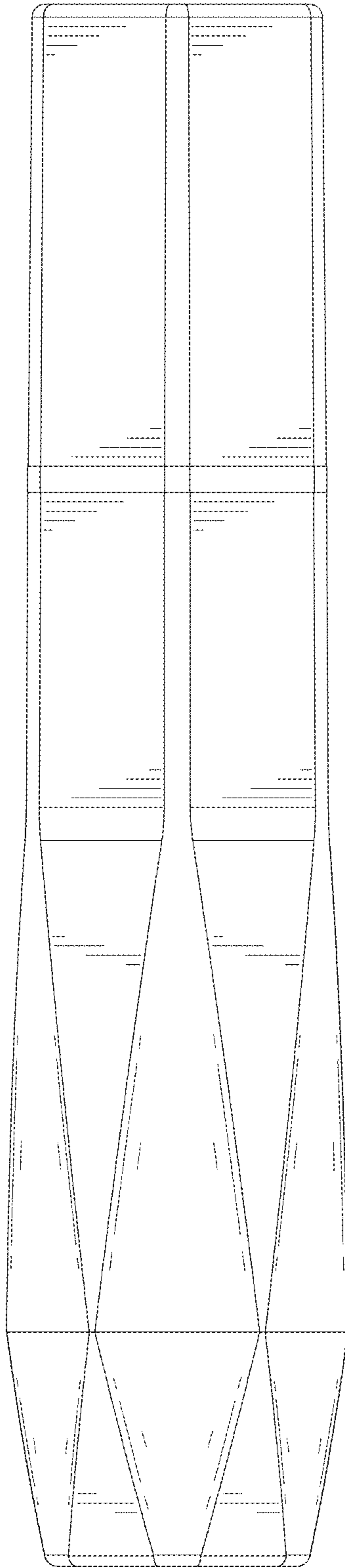


FIG.3

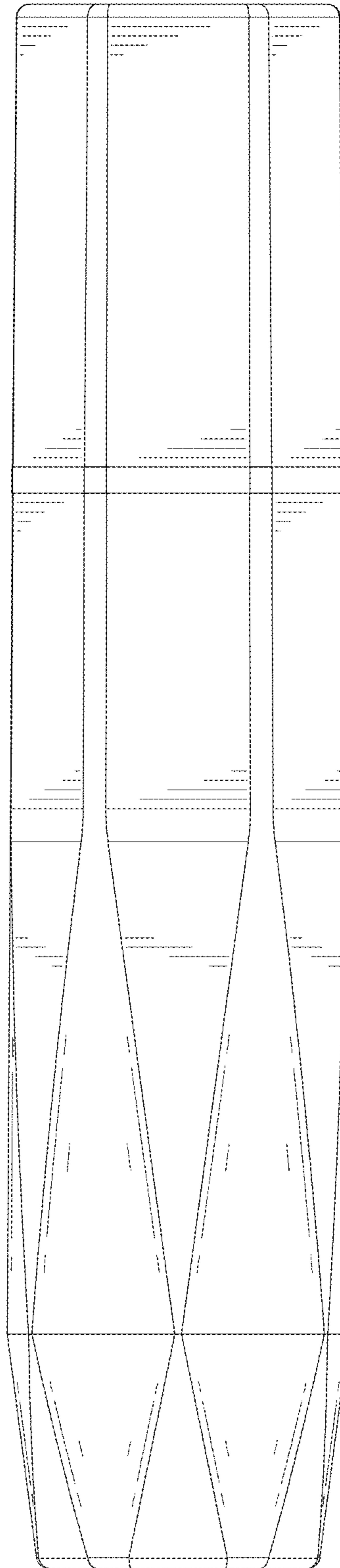


FIG. 4

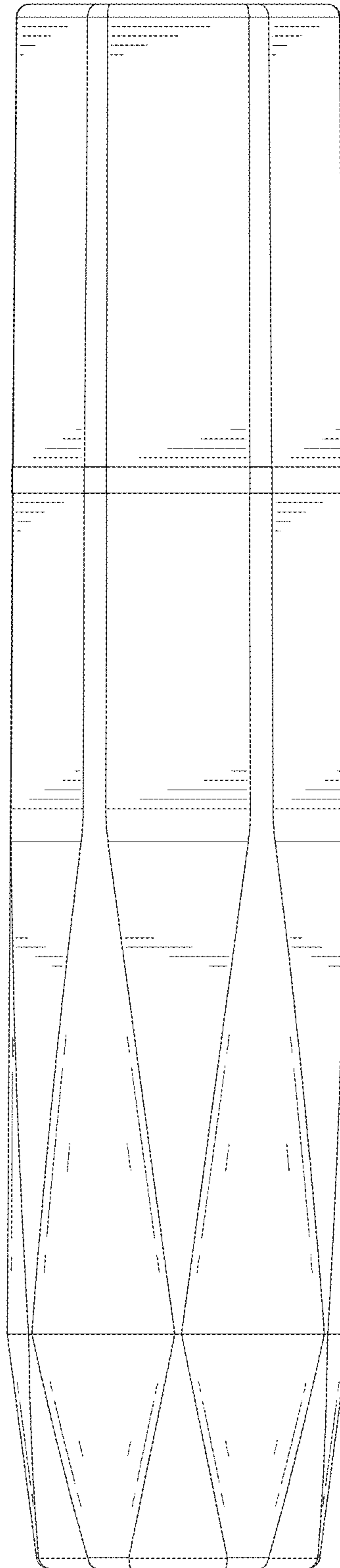


FIG.5

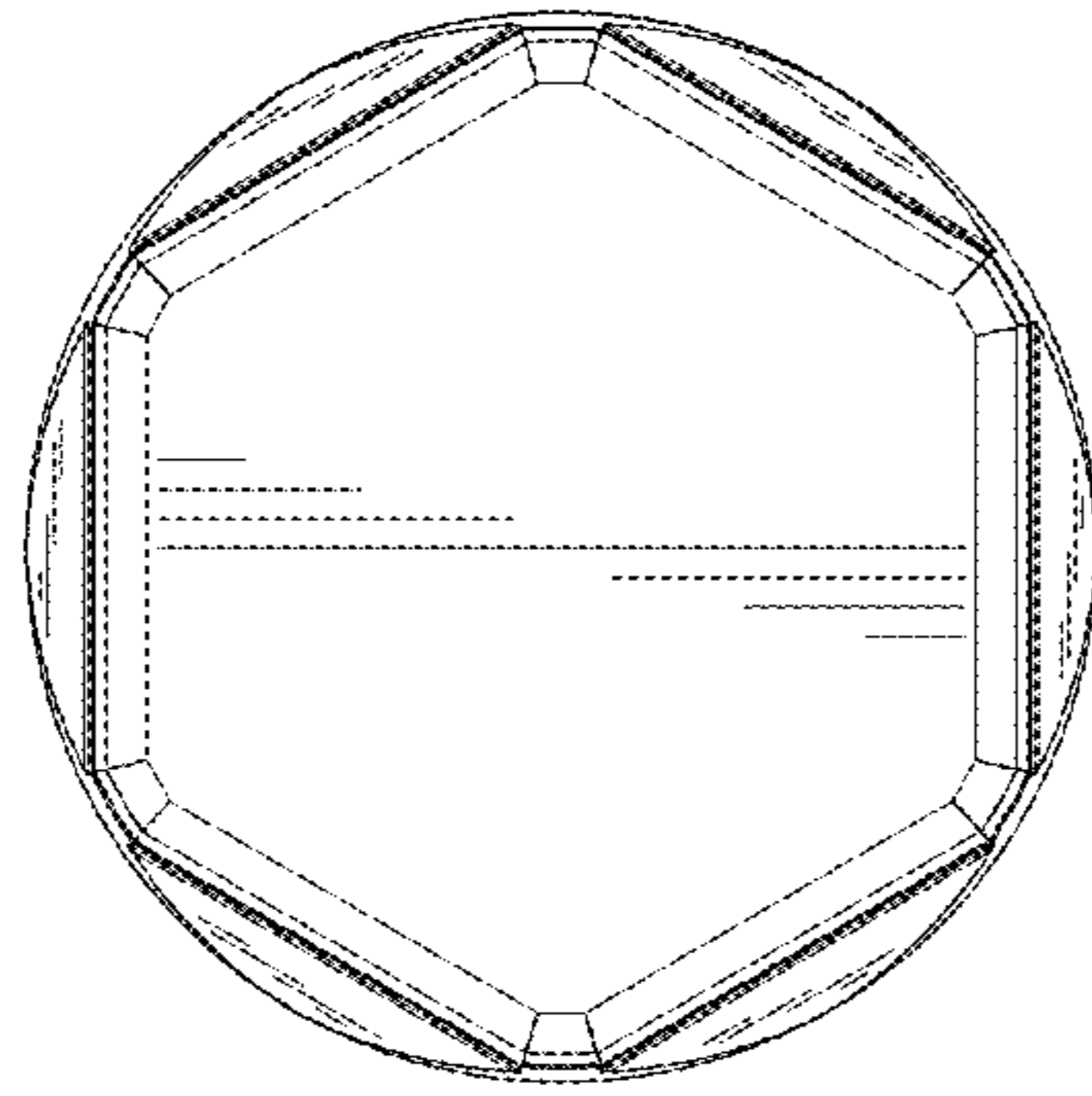


FIG.6

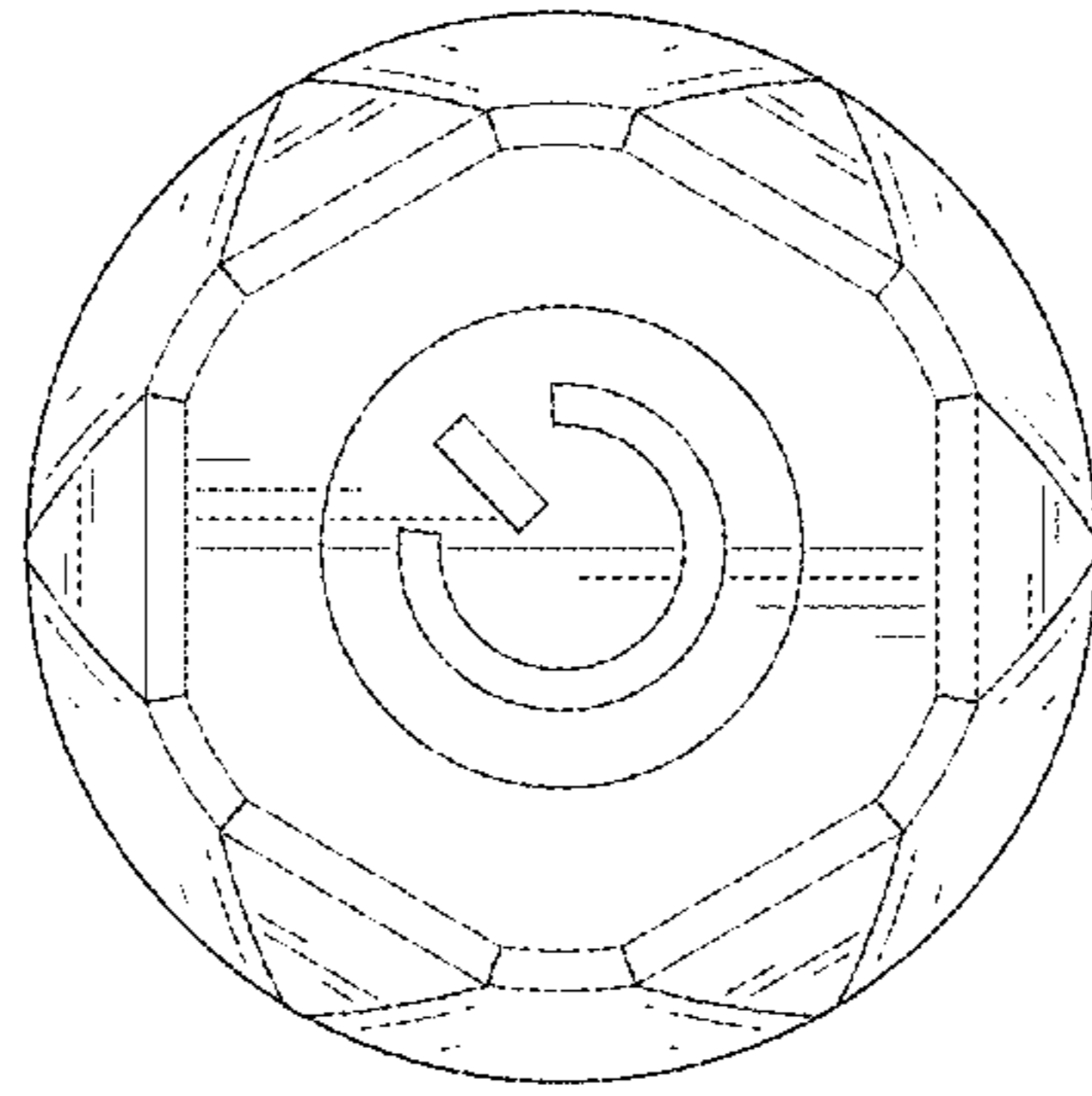


FIG.7

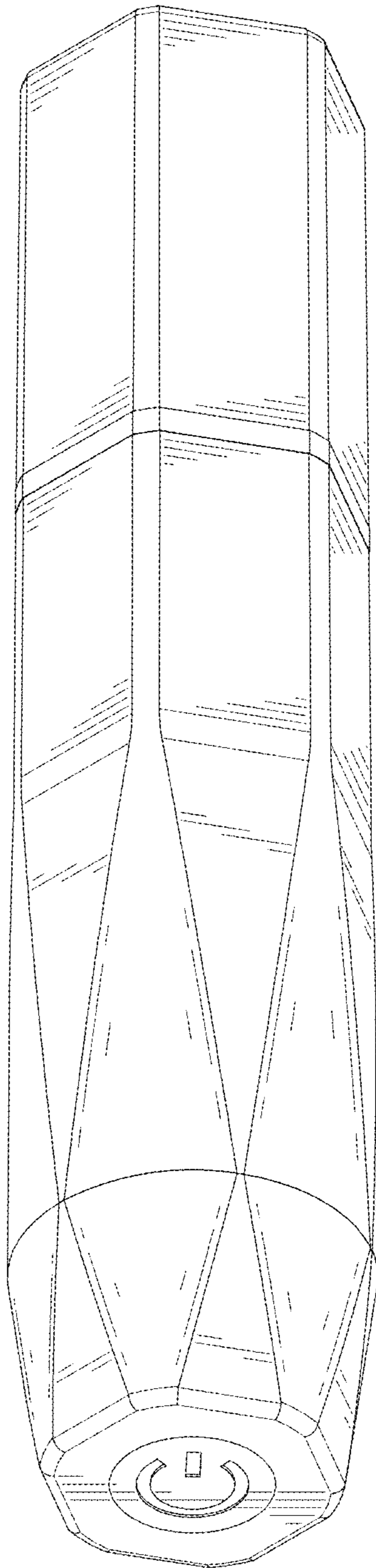


FIG. 8