



US00D940955S

(12) **United States Design Patent**
Wei

(10) **Patent No.:** **US D940,955 S**
(45) **Date of Patent:** **** Jan. 11, 2022**

- (54) **WAX MELTING POT**
- (71) Applicant: **YUANTOUHUOSHUI (SHENZHEN) INNOVATION TECHNOLOGY CO., LTD.**, Shenzhen (CN)
- (72) Inventor: **Jianbin Wei**, Jian'ou (CN)
- (73) Assignee: **YUANTOUHUOSHUI (SHENZHEN) INNOVATION TECHNOLOGY CO., LTD.**, Shenzhen (CN)
- (**) Term: **15 Years**
- (21) Appl. No.: **29/750,058**
- (22) Filed: **Sep. 10, 2020**
- (51) **LOC (13) Cl.** **28-03**
- (52) **U.S. Cl.**
USPC **D28/44.1**; D24/200
- (58) **Field of Classification Search**
USPC ... D28/9, 44, 44.1, 54.1, 56, 57, 58, 61, 99;
D23/240; D24/200, 204; D7/629, 709;
D9/424, 428
CPC A45D 29/00; A45D 29/18; A45D 29/20;
A45D 2200/205; A45D 2200/155; A45D
29/11; A45D 29/14; A45D 26/0014;
A45D 2026/008; F24H 9/02; A61F 7/007
See application file for complete search history.

- D914,223 S * 3/2021 Wang D24/200
- D914,224 S * 3/2021 Wang D24/200
- D917,710 S * 4/2021 Li D24/200
- D925,745 S * 7/2021 Chen D24/200
- D932,102 S * 9/2021 Deng D28/44.1
- D932,641 S * 10/2021 Mo D24/200
- D933,248 S * 10/2021 Liu D24/200
- 2011/0186585 A1* 8/2011 Lu B65D 41/04
220/575

(56) **References Cited**

U.S. PATENT DOCUMENTS

- D454,958 S * 3/2002 Sulik D24/200
- D479,951 S * 9/2003 Segura D7/608
- D630,475 S * 1/2011 Lu D7/629
- D661,160 S * 6/2012 Shah D7/538
- D838,859 S * 1/2019 Yu D24/200
- D857,215 S * 8/2019 Lin D24/200
- D893,959 S * 8/2020 Lane D7/629
- D895,821 S * 9/2020 Lin D24/200
- D897,782 S * 10/2020 Lane D7/608

OTHER PUBLICATIONS

Waxing Kit Digital Wax Warmer, KoulaWax, reviewed on Jan. 15, 2020 on amazon.com, retrieved on Nov. 12, 2021, retrieved from the Internet URL: https://www.amazon.com/Machine-Multiple-Formulas-Brazilian-Applicators/dp/B07X7HQP61/ref=sr_1_72_sspa?crid=1AY84EGAXXHXW&keywords=wax+warmer+for+hair+removal&qid=1636744878&spref.*

* cited by examiner

Primary Examiner — Jennifer Rivard
Assistant Examiner — Alison M Ofstun

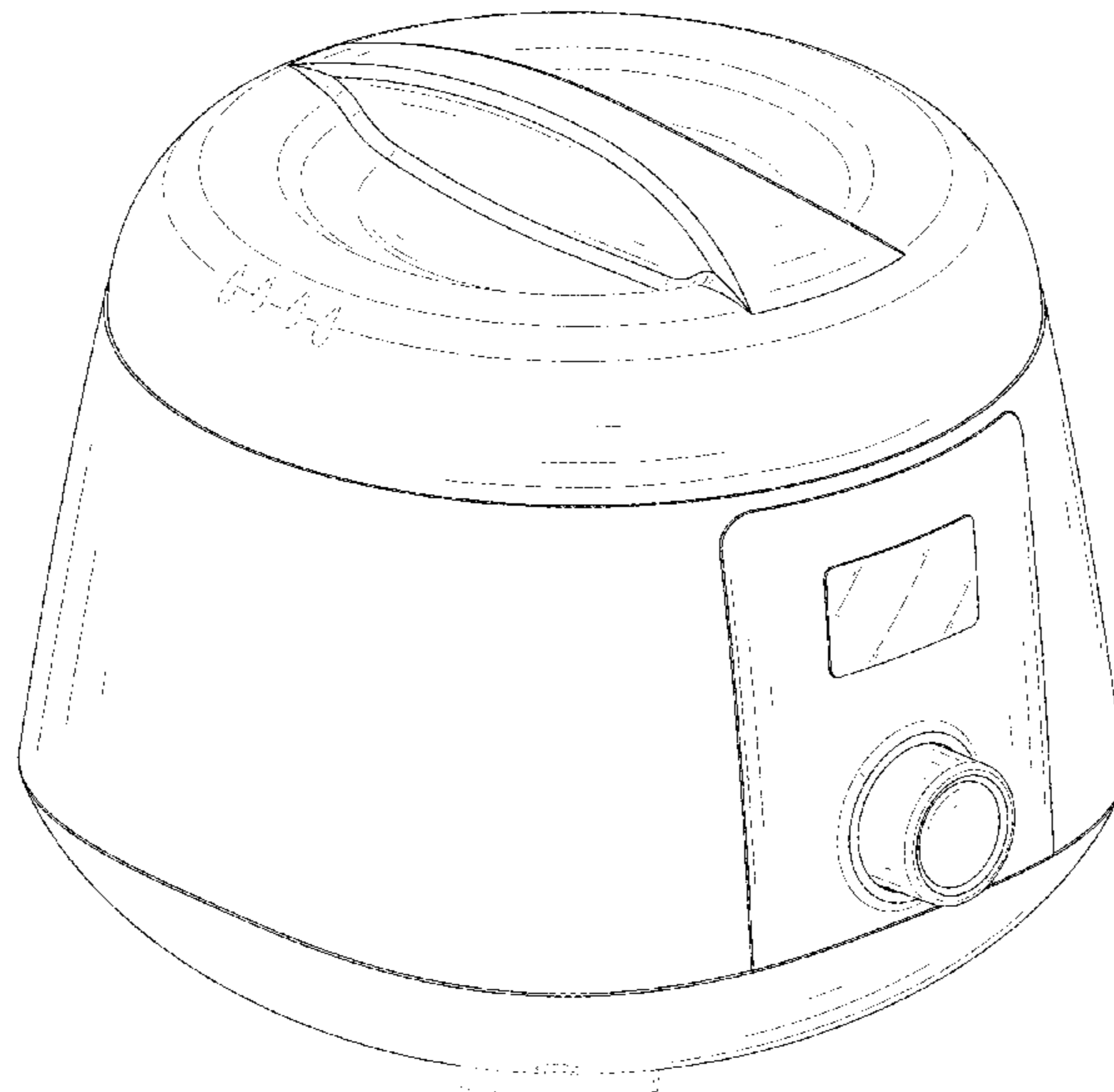
(57) **CLAIM**

The ornamental design for a wax melting pot, as shown and described.

DESCRIPTION

FIG. 1 is a perspective view of a wax melting pot showing my new design;
FIG. 2 is another perspective view thereof;
FIG. 3 is a front elevational view thereof;
FIG. 4 is a rear elevational view thereof;
FIG. 5 is a left side elevational view thereof;
FIG. 6 is a right side elevational view thereof;
FIG. 7 is a top plan view thereof; and,
FIG. 8 is a bottom plan view thereof.
The broken lines in the drawings depict portions of the wax melting pot that form no part of the claimed design.

1 Claim, 8 Drawing Sheets



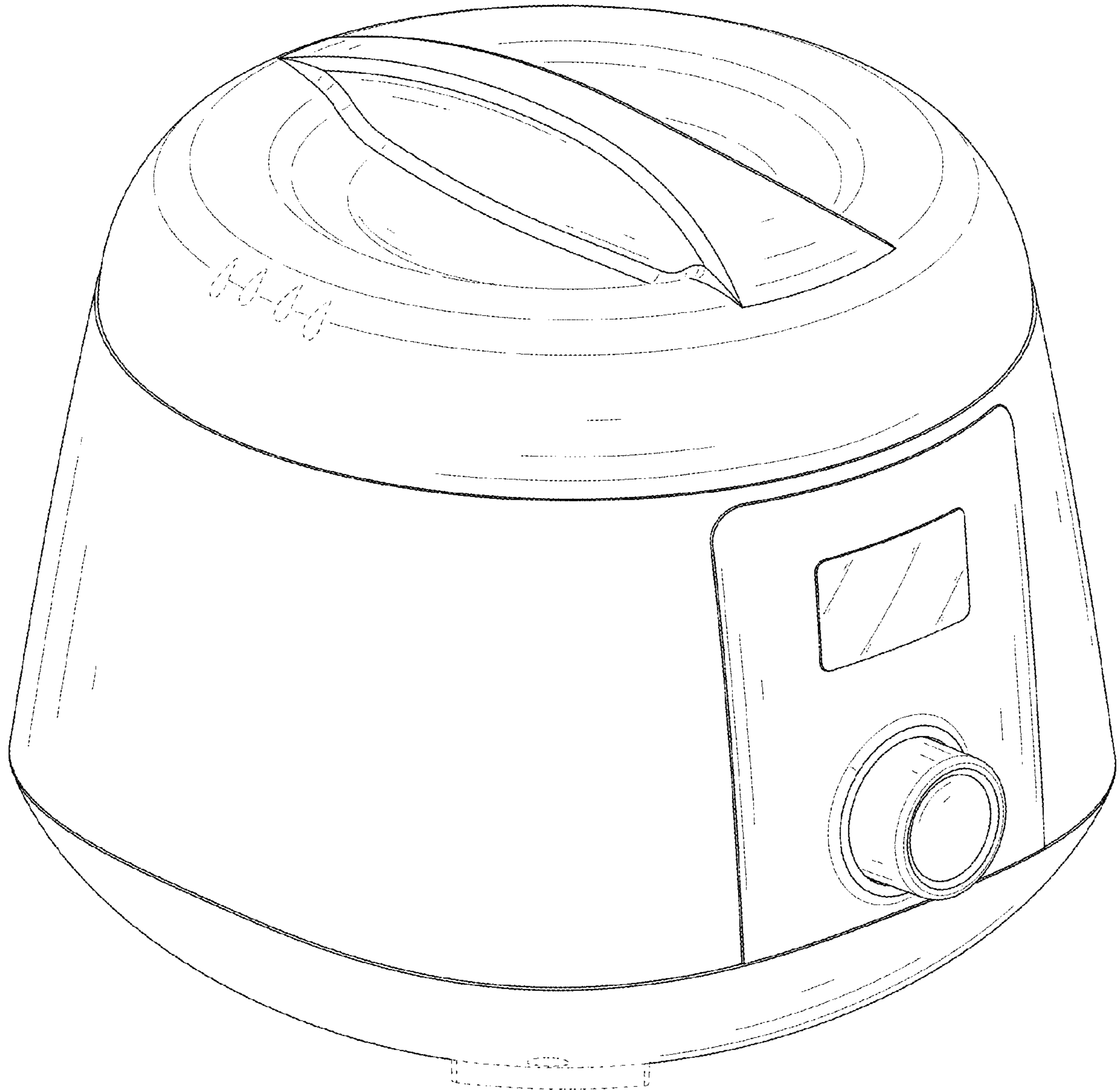


FIG. 1

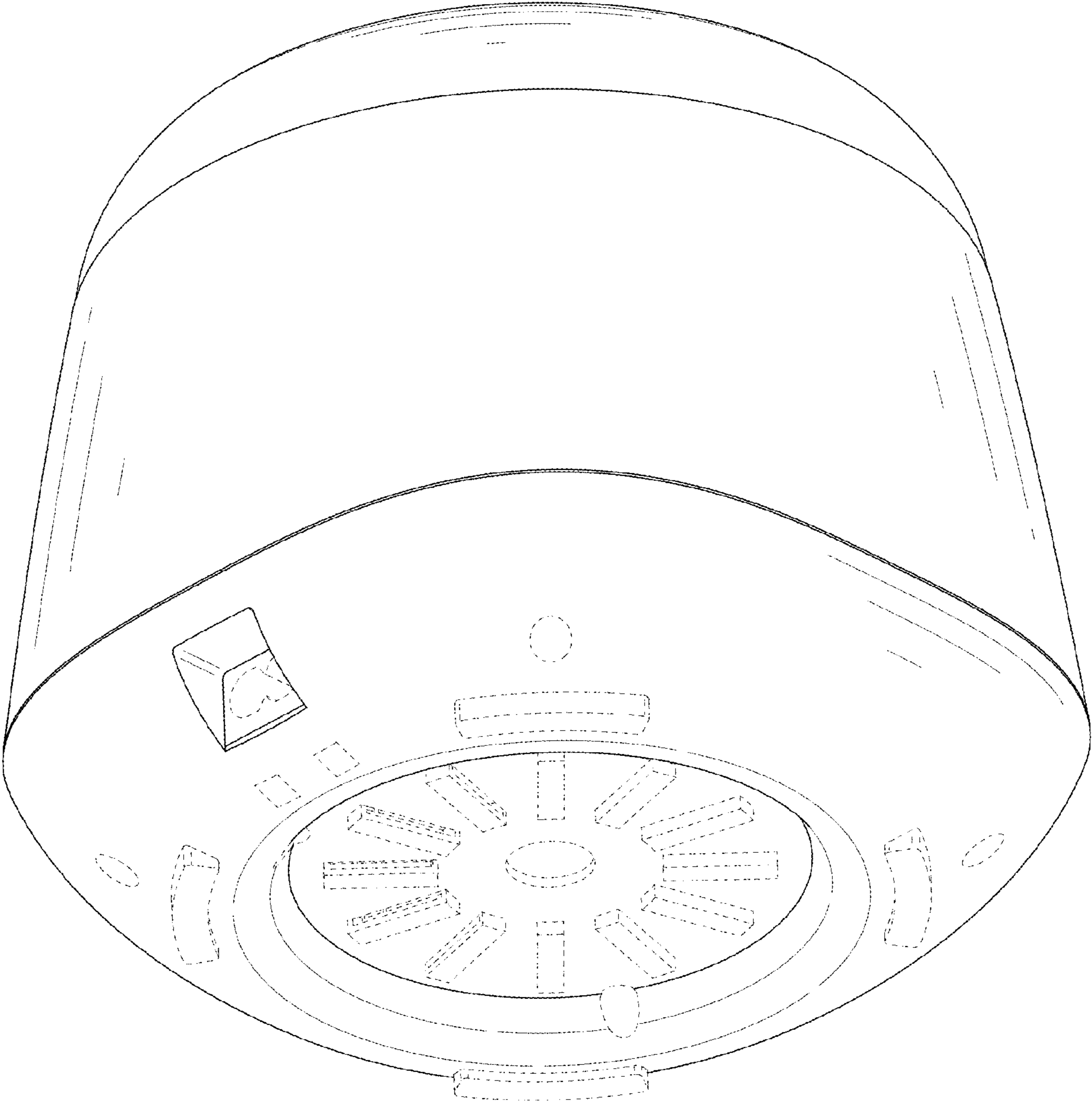


FIG. 2

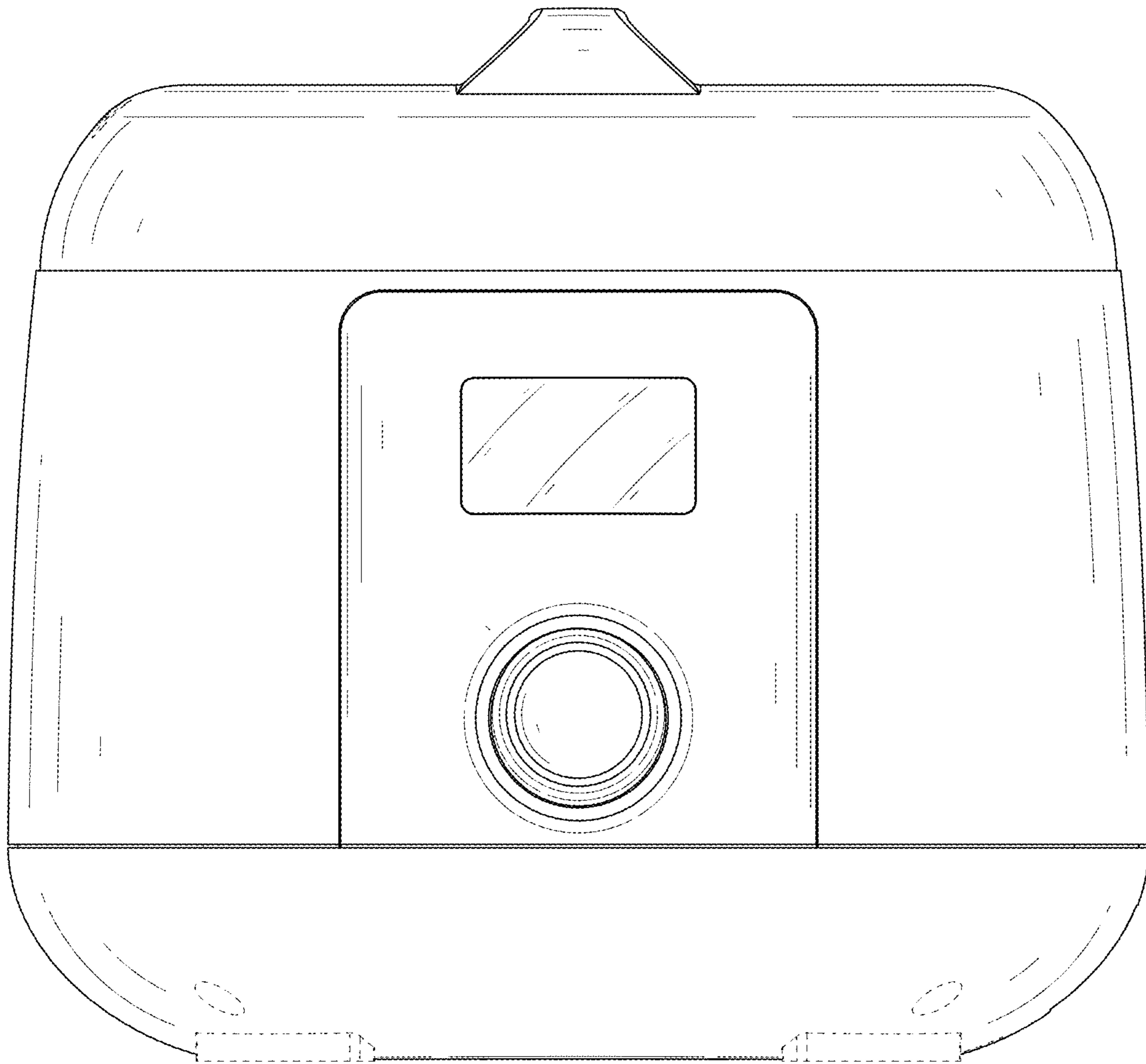


FIG. 3

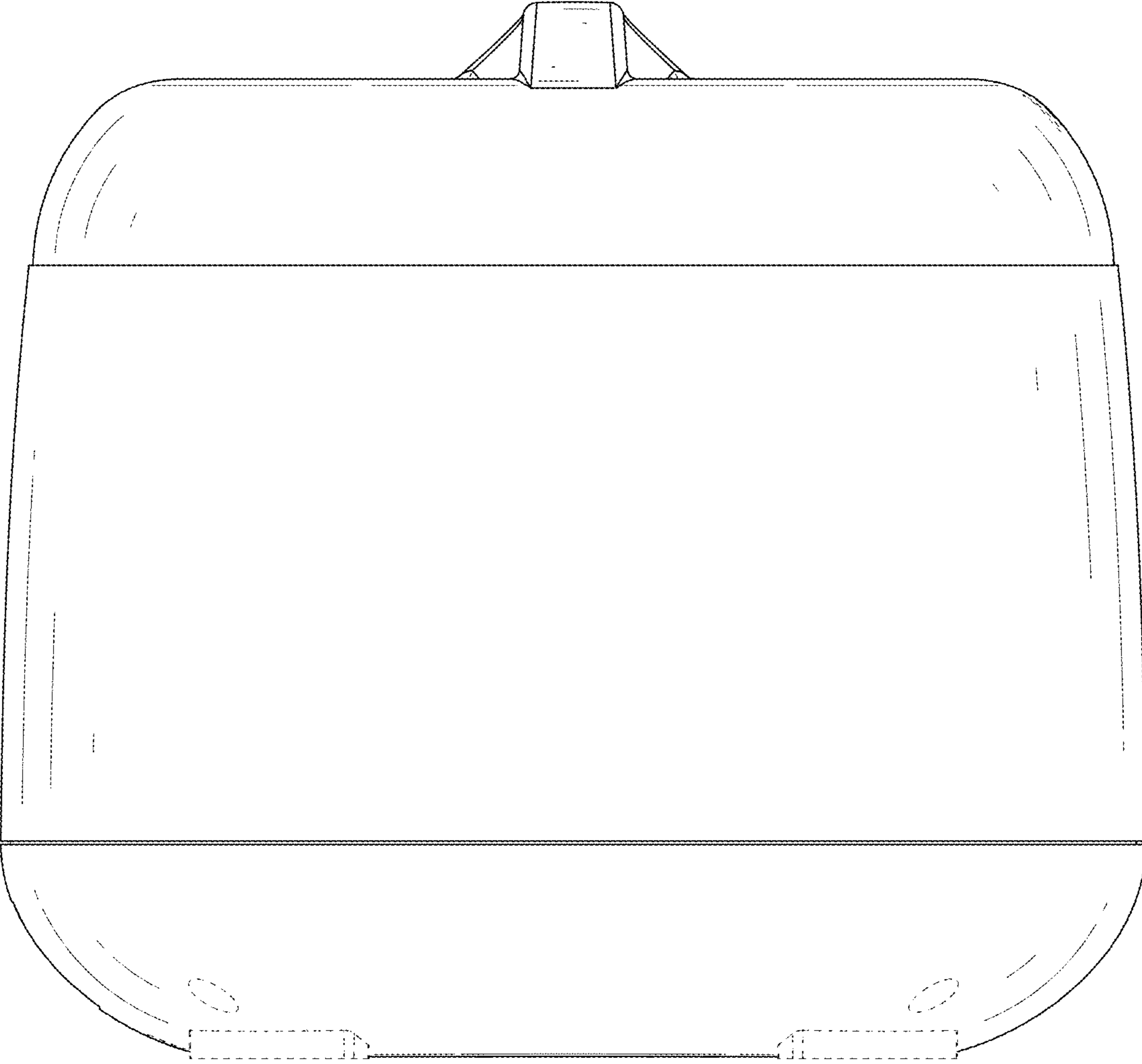


FIG. 4

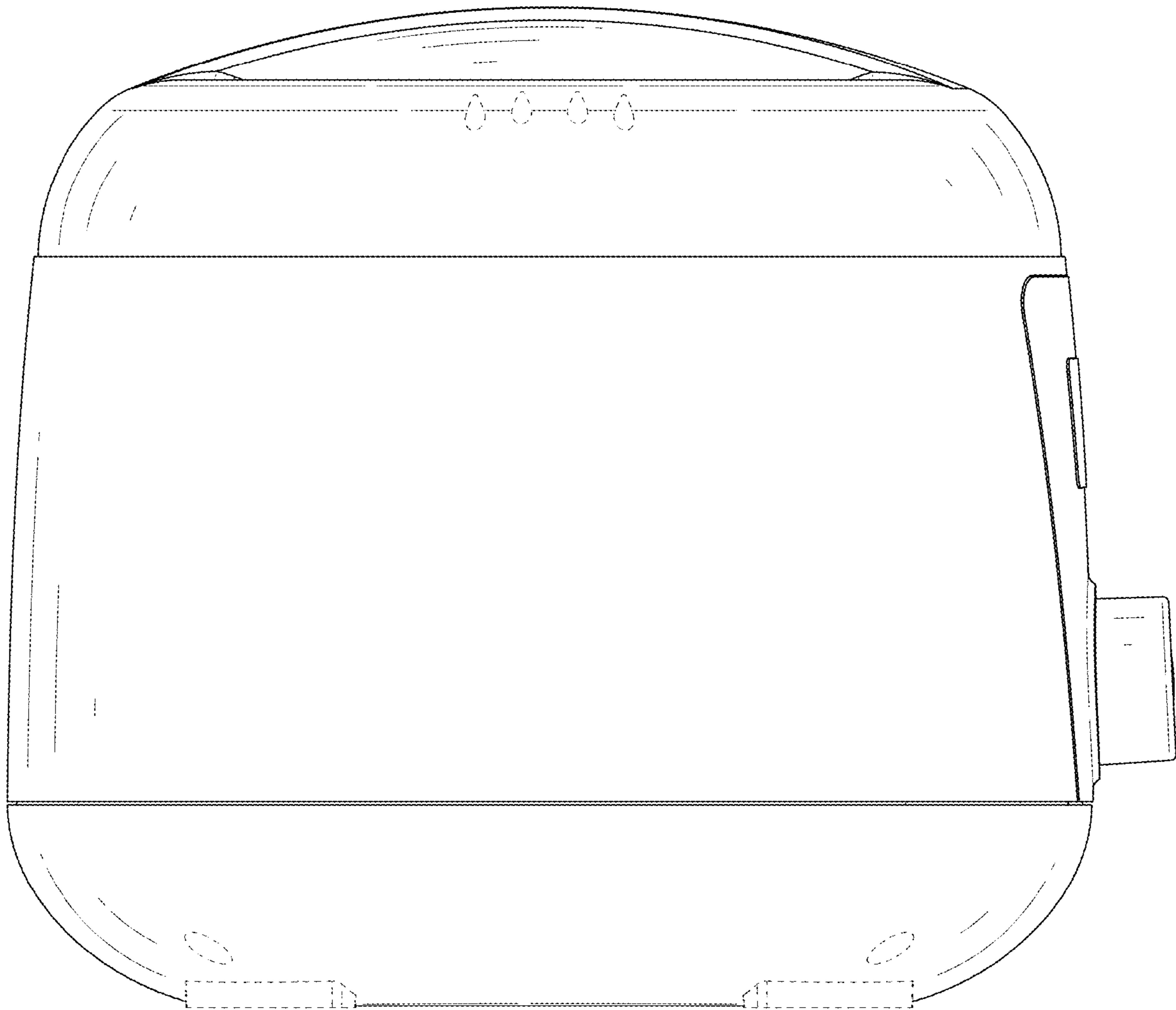


FIG. 5

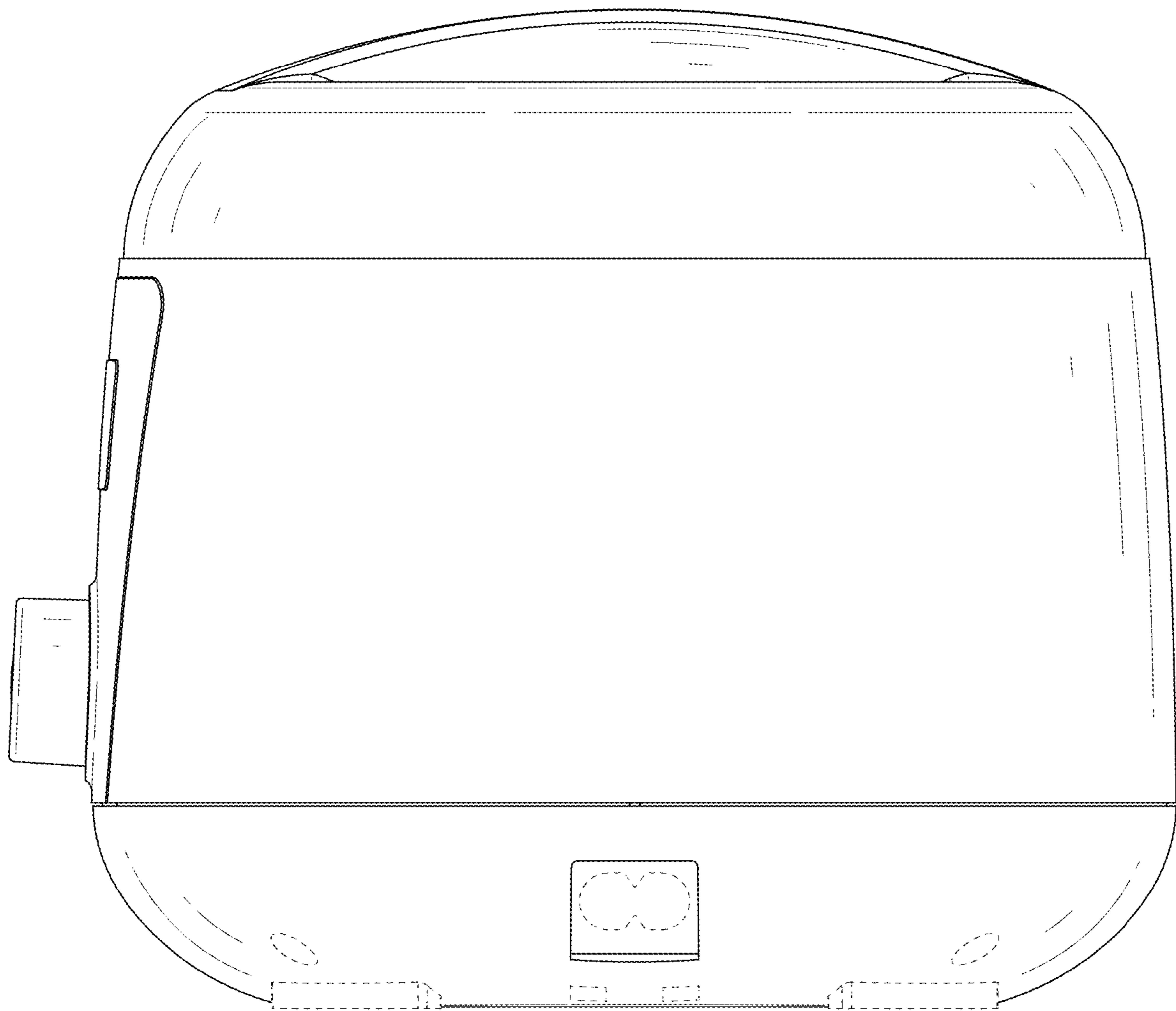


FIG. 6

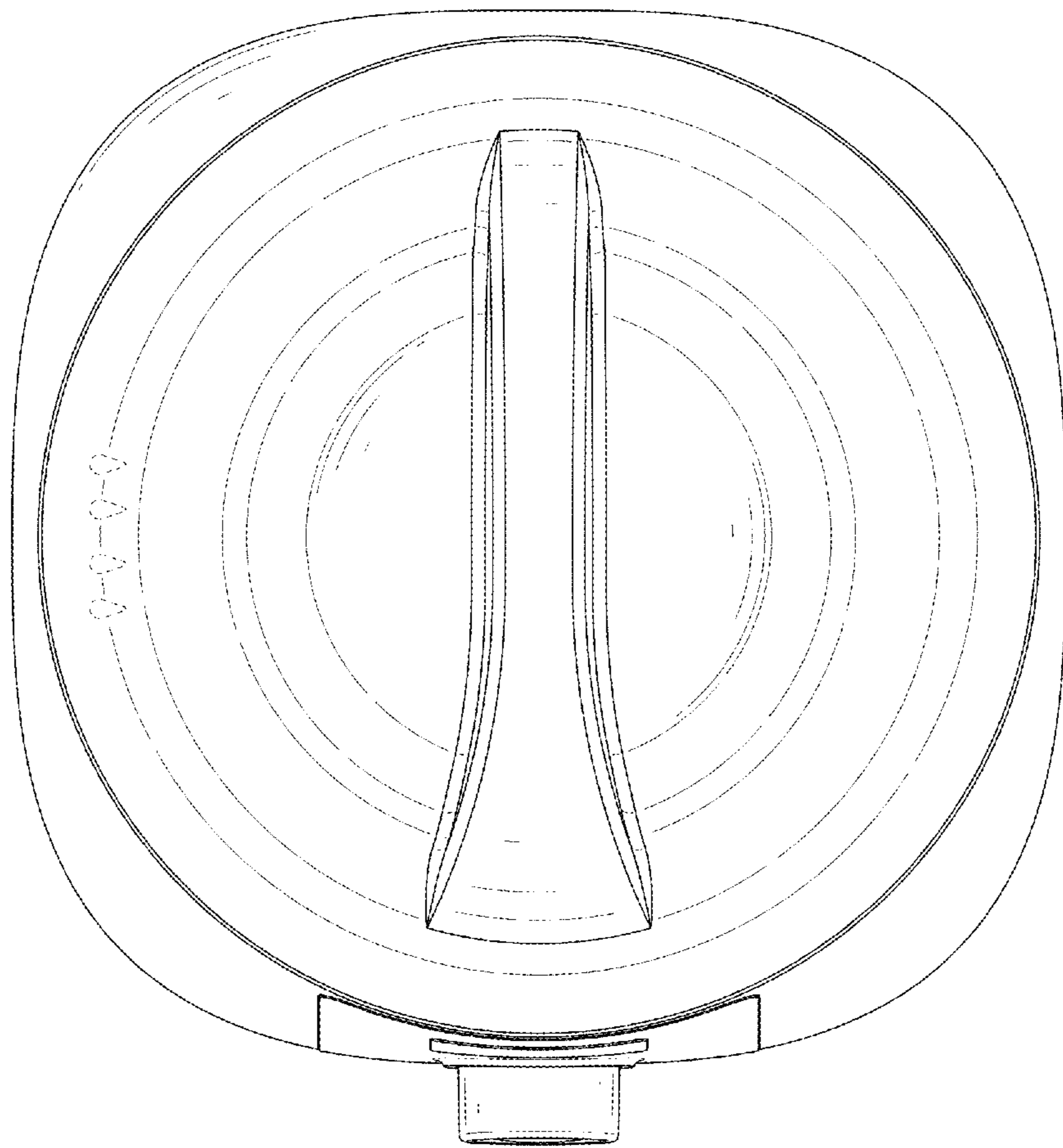


FIG. 7

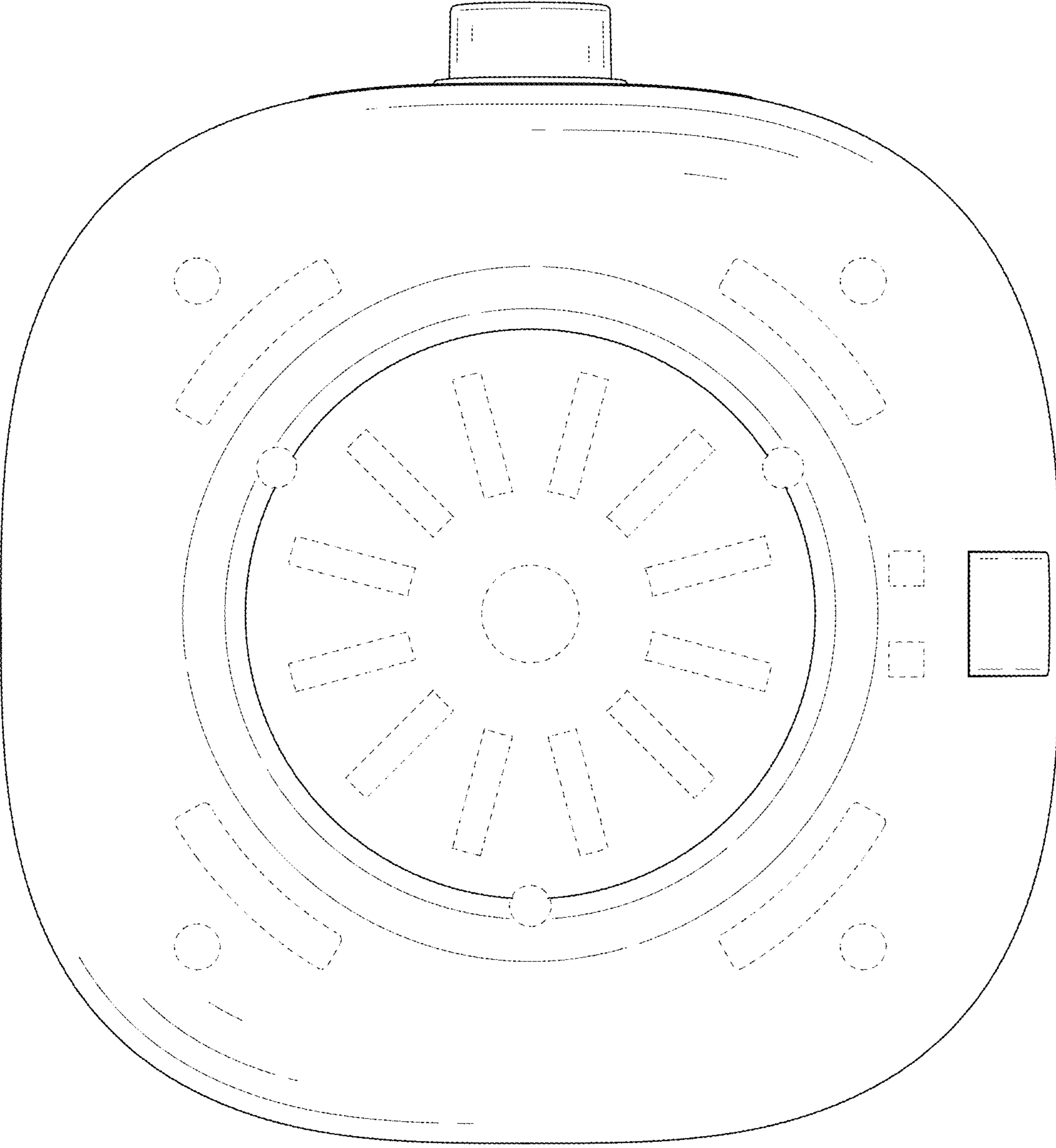


FIG. 8