

US00D940954S

(12) **United States Design Patent** (10) **Patent No.:** **US D940,954 S**
Huang (45) **Date of Patent:** **** Jan. 11, 2022**

(54) **EPILATOR**
(71) Applicant: **Shenzhen Meishi Meike Intelligent Electric Appliance Co., Ltd., Shenzhen (CN)**

D899,688 S * 10/2020 Li D28/44.1
D901,774 S * 11/2020 Liu D28/44.1
D904,634 S * 12/2020 Sedic D24/209
D905,335 S * 12/2020 Kling D28/44.1
D924,206 S * 7/2021 Yoon D14/218
2015/0209108 A1* 7/2015 Kim A61B 18/203
606/9

(72) Inventor: **Guoli Huang, Fujian (CN)**

(**) Term: **15 Years**

(21) Appl. No.: **29/741,162**

(22) Filed: **Jul. 10, 2020**

(51) **LOC (13) Cl.** **28-03**

(52) **U.S. Cl.**
USPC **D28/44.1; D24/209; D24/214**

(58) **Field of Classification Search**
USPC D28/44.1; D24/209, 214
CPC A61B 2018/0047; A61B 2018/0452; A61B 2018/202; A61B 2018/0476; A61B 18/18; A61B 18/02; A61B 18/30; A61B 2018/00315; A61B 2018/00476; A45D 26/0023-0038; A45D 26/0004-0009; A45D 26/0057

See application file for complete search history.

(56) **References Cited**

U.S. PATENT DOCUMENTS

D776,874 S * 1/2017 Kling D28/44.1
D802,841 S * 11/2017 Kling D28/44.1
D820,464 S * 6/2018 Gabriele D24/209
D850,003 S * 5/2019 Chen D28/44.1
D858,745 S * 9/2019 Kurgan D24/110
D860,534 S * 9/2019 Huang D28/44.1
D872,362 S * 1/2020 Long D28/44.1

OTHER PUBLICATIONS

Uaike Hair Removal System, www.amazon.com, 1 page, reviewed as early as Aug. 2020 (Year: 2020).*

* cited by examiner

Primary Examiner — Jennifer Rivard

(74) *Attorney, Agent, or Firm* — Prakash Nama Global IP Services, PLLC

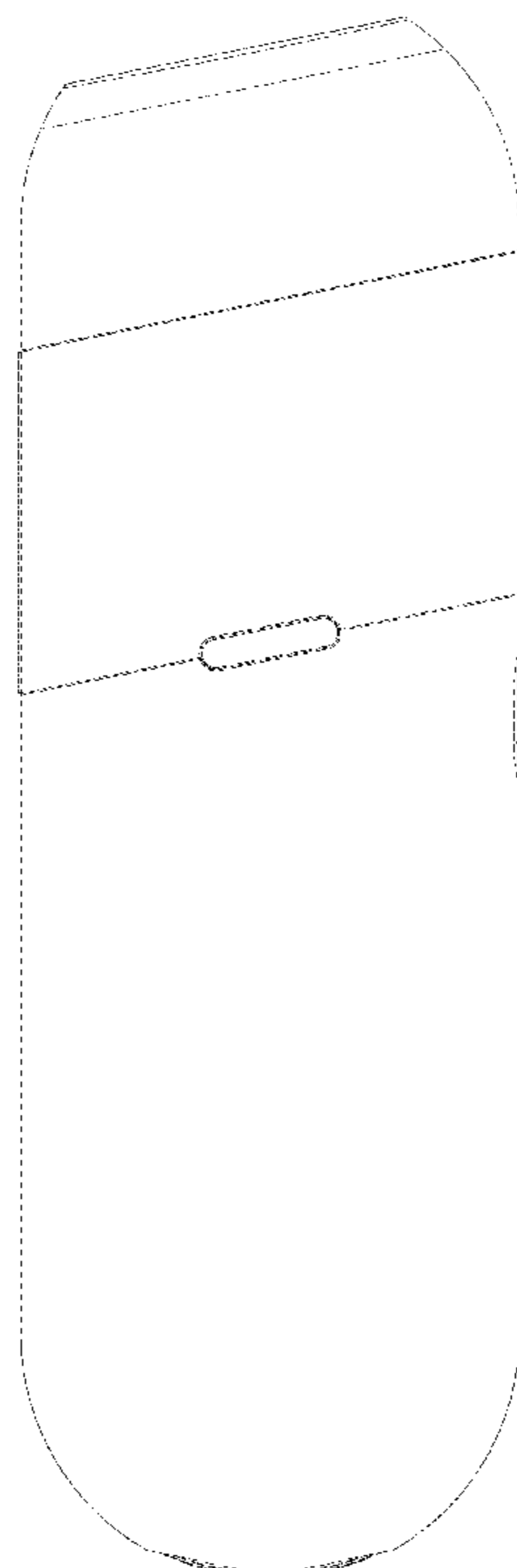
(57) **CLAIM**

The ornamental design for an epilator, as shown.

DESCRIPTION

FIG. 1 is a front elevational view of an epilator showing my new design;
FIG. 2 is a rear elevational view thereof;
FIG. 3 is a left side view thereof;
FIG. 4 is a right side view thereof;
FIG. 5 is a top plan view thereof;
FIG. 6 is a bottom plan view thereof;
FIG. 7 is a perspective view thereof; and,
FIG. 8 is another perspective view thereof.

1 Claim, 7 Drawing Sheets



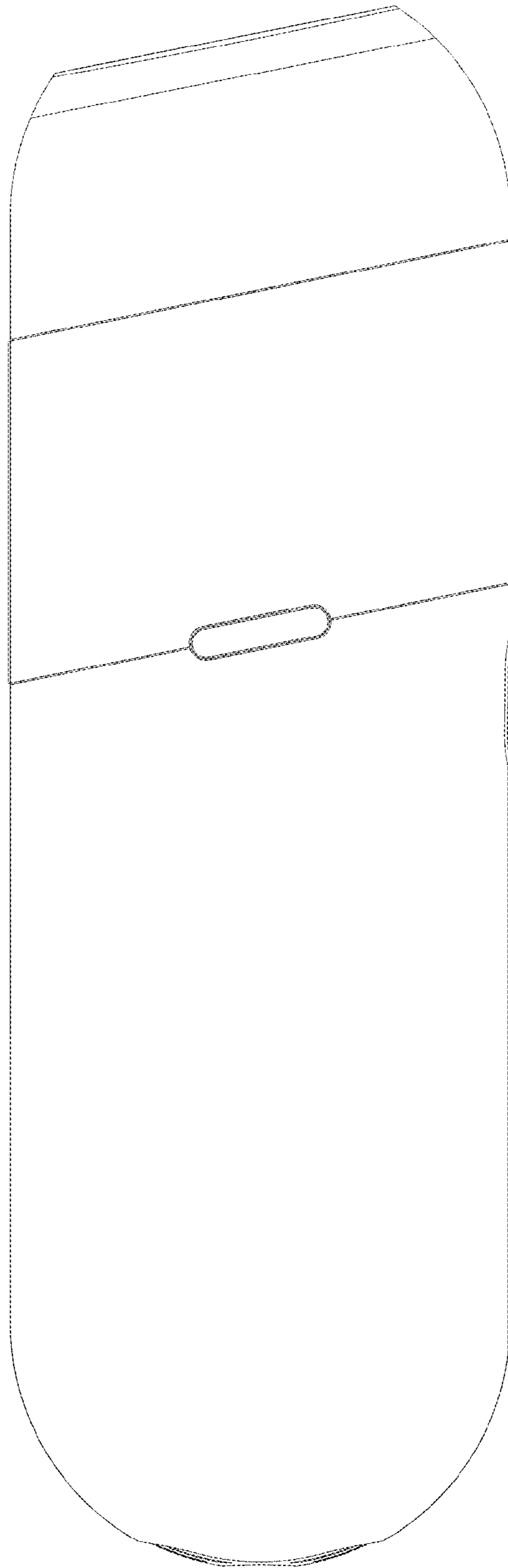


FIG. 1

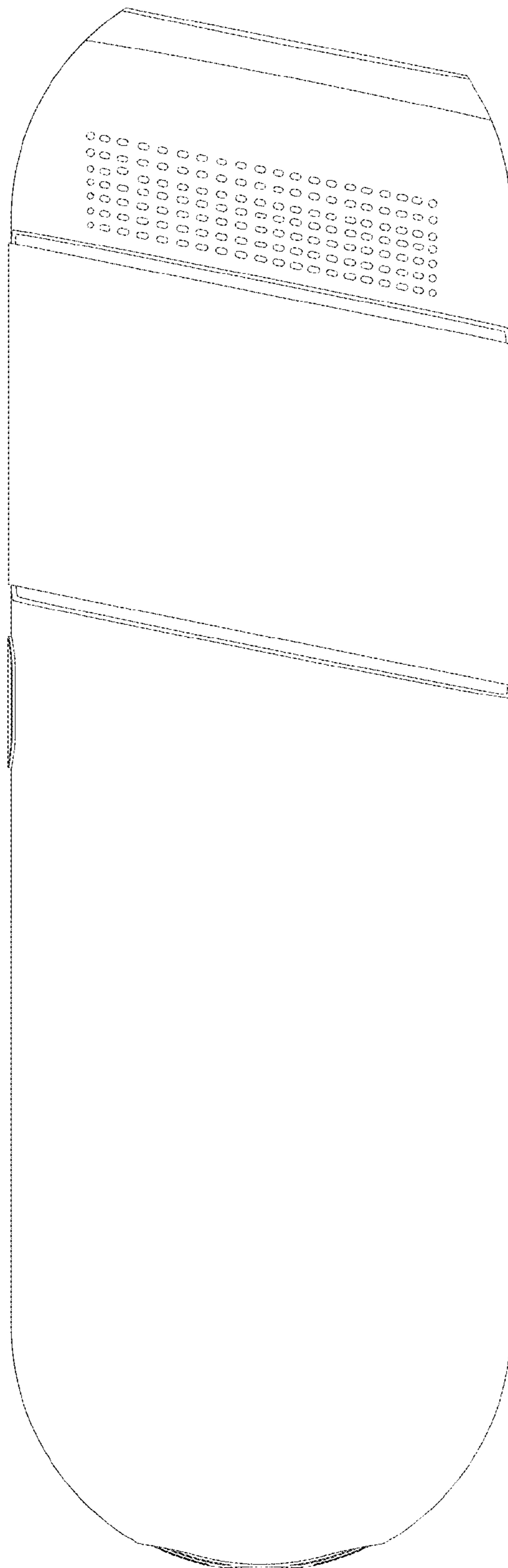


FIG. 2

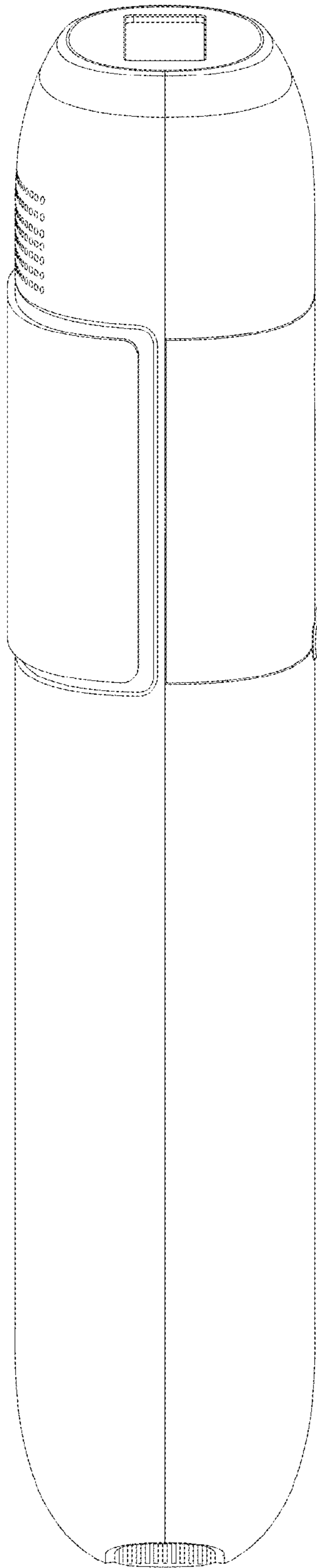


FIG. 3

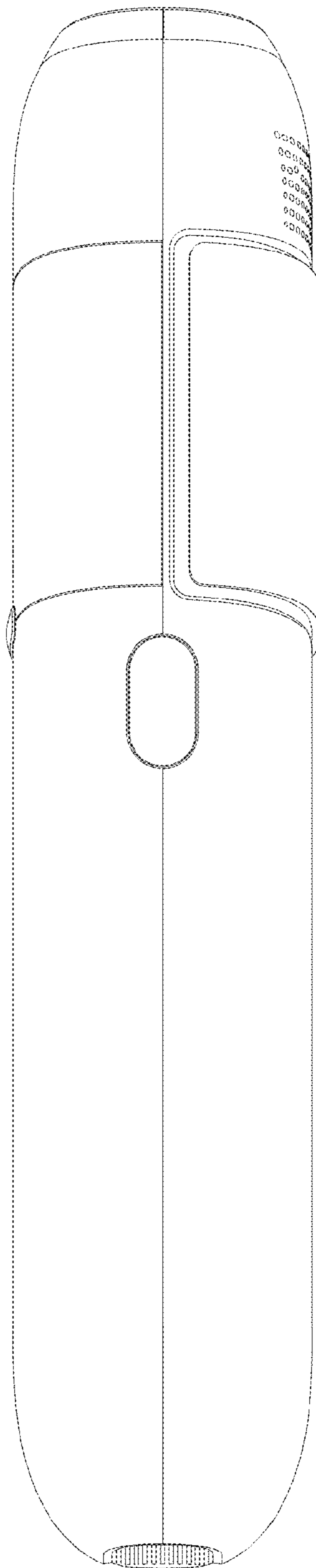


FIG. 4

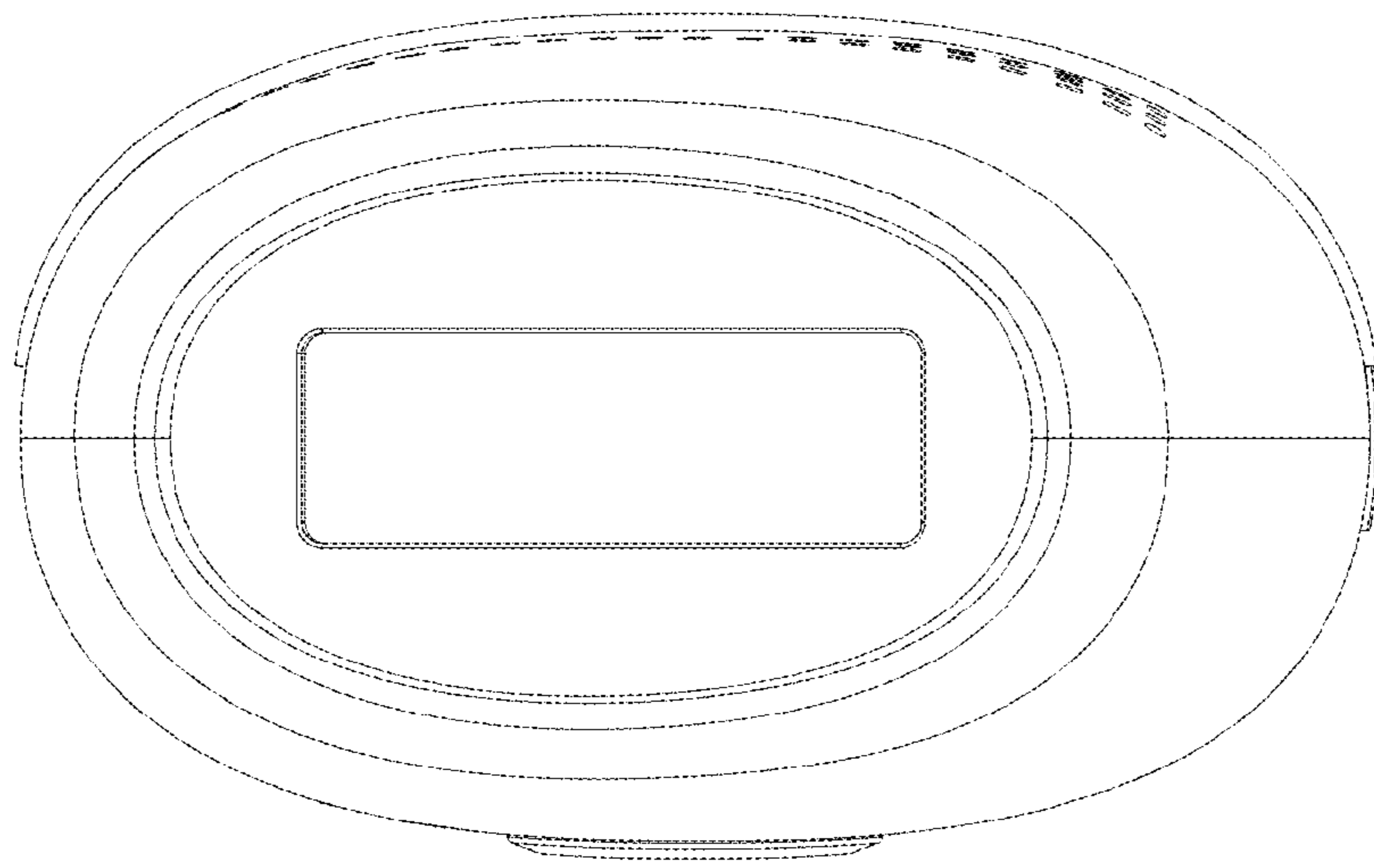


FIG. 5

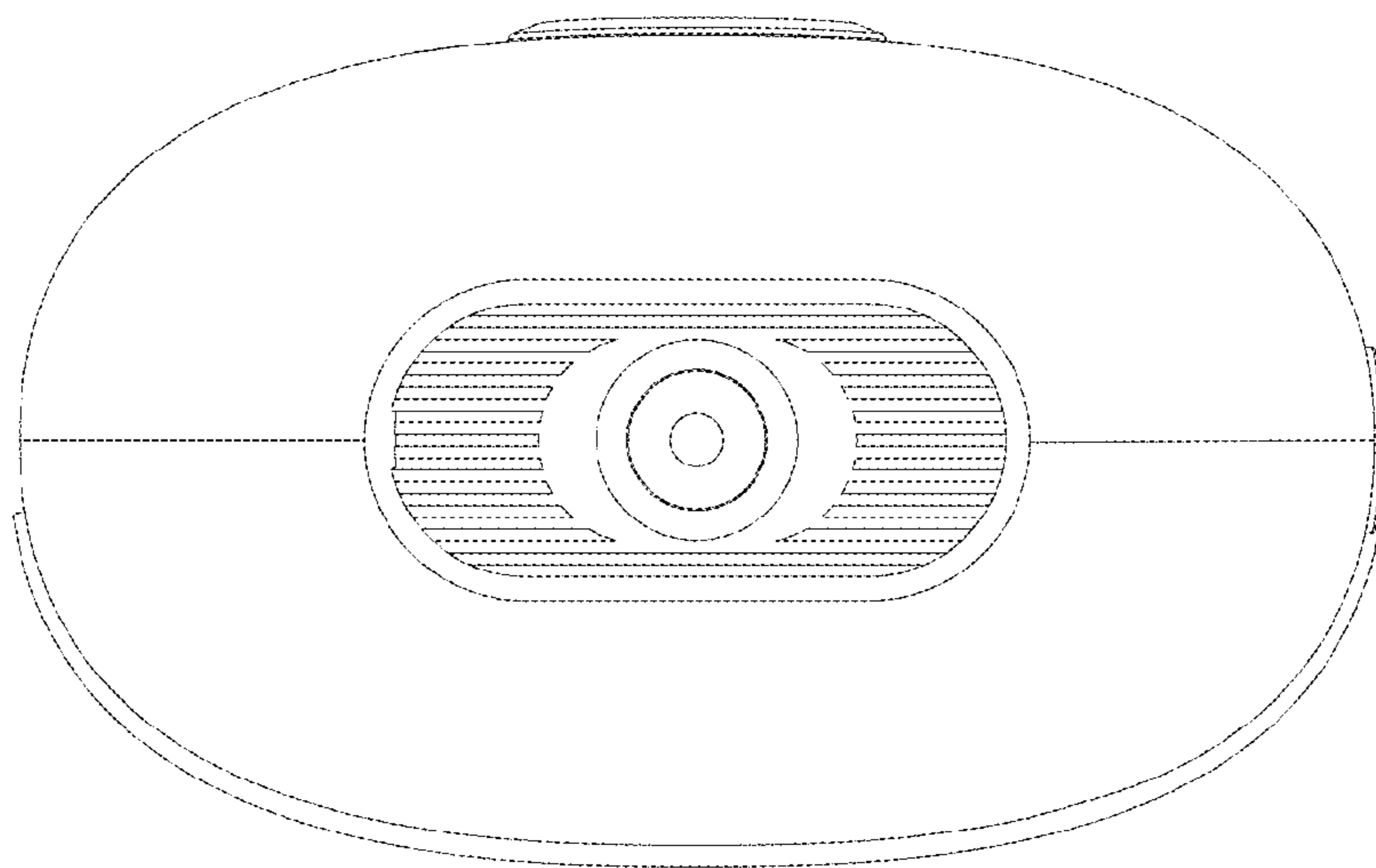


FIG. 6

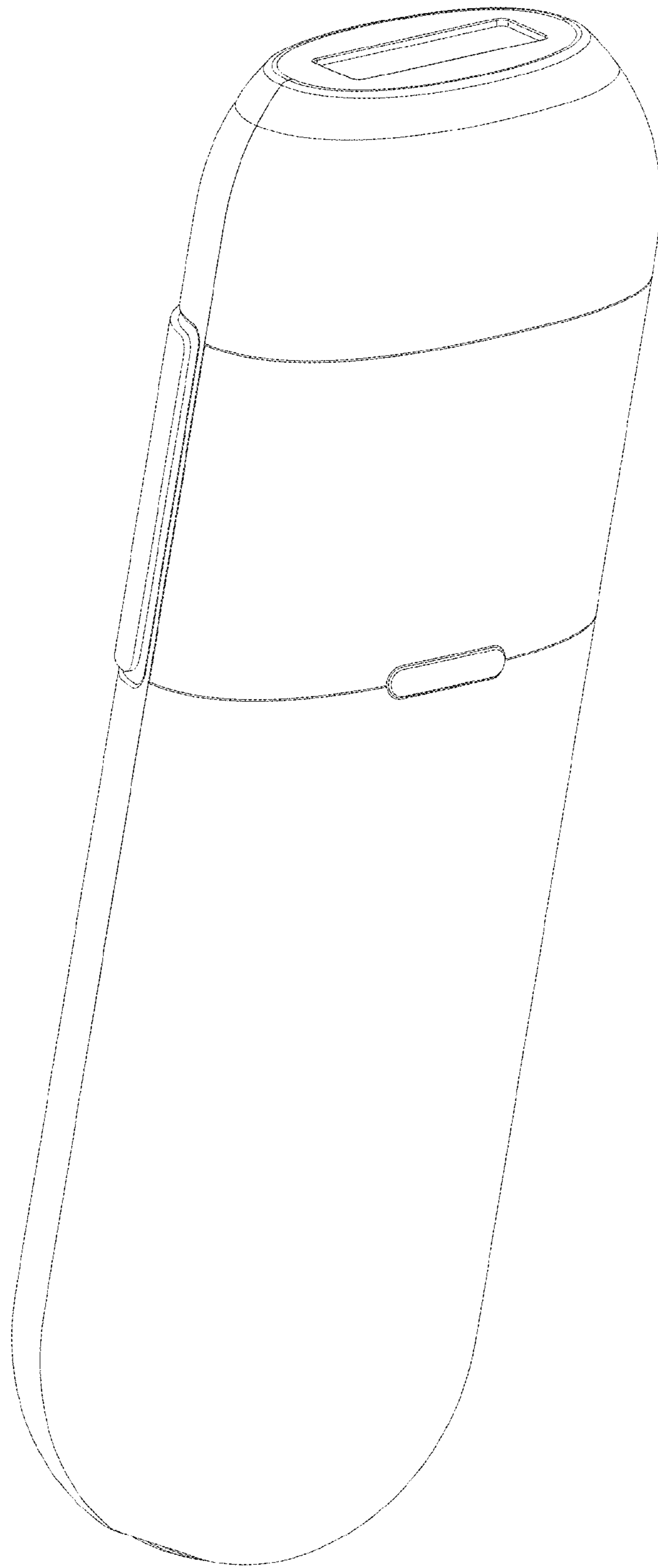


FIG. 7

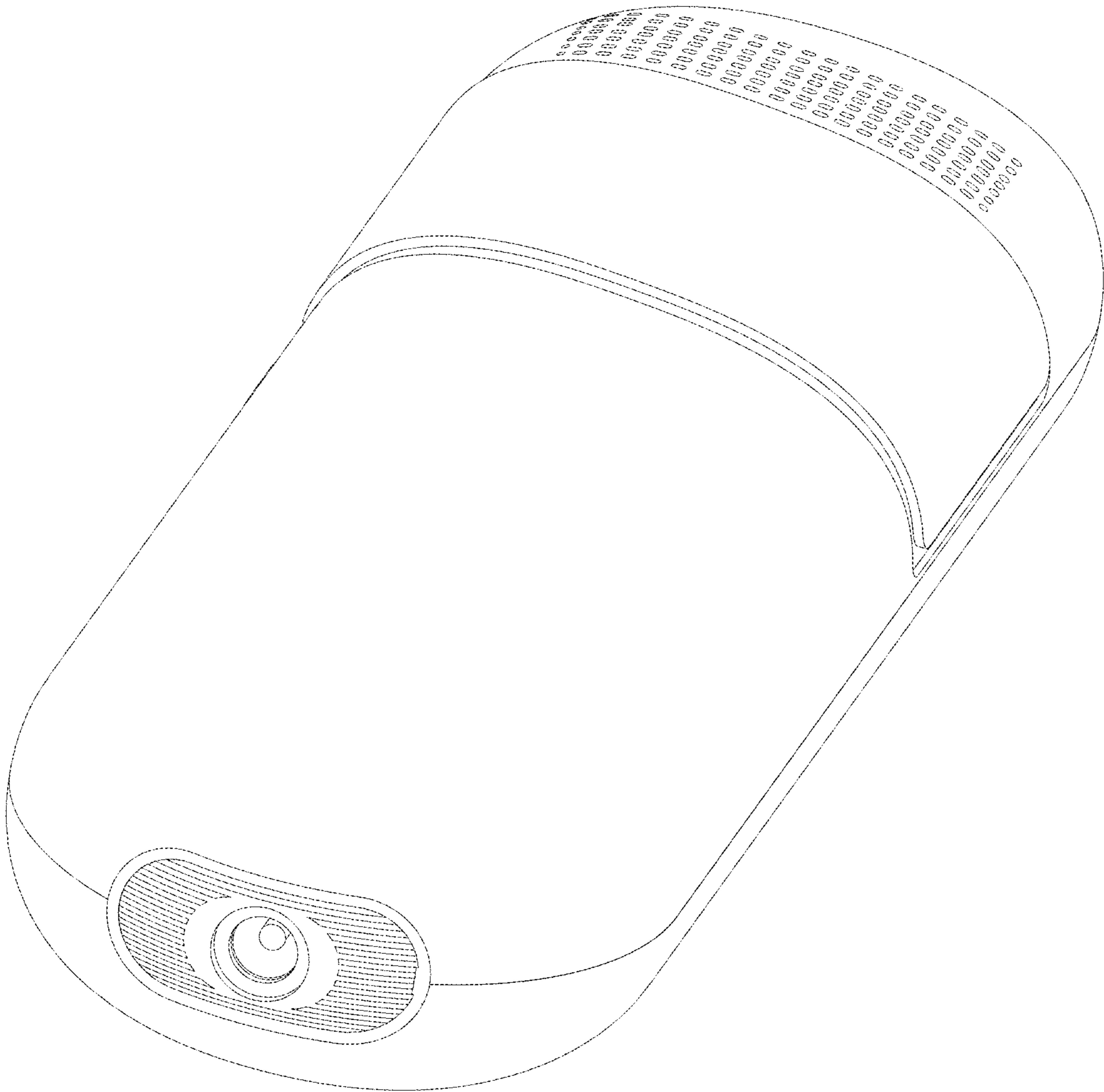


FIG. 8