



US00D940950S

(12) **United States Design Patent** (10) **Patent No.:** **US D940,950 S**
Xu (45) **Date of Patent:** **** Jan. 11, 2022**

(54) **CAR CIGARETTE LIGHTER**
(71) Applicant: **Guangdong BESTEK Medical Devices Co., Ltd, Shenzhen (CN)**
(72) Inventor: **Xinhua Xu, Shenzhen (CN)**
(73) Assignee: **GUANGDONG BESTEK MEDICAL DEVICES CO., LTD, Shenzhen (CN)**
(**) Term: **15 Years**
(21) Appl. No.: **29/747,125**
(22) Filed: **Aug. 20, 2020**

(30) **Foreign Application Priority Data**
Jun. 30, 2020 (CN) 202030343321.8
(51) **LOC (13) Cl.** **27-05**
(52) **U.S. Cl.**
USPC **D27/141; D13/144**
(58) **Field of Classification Search**
USPC D12/190, 192, 400; D13/103, 107, 108,
D13/119, 144; D14/240; D27/139, 141,
D27/142, 148, 161
CPC H01R 24/58; H01R 2201/26; H01R 31/02;
H02J 7/0042
See application file for complete search history.

(56) **References Cited**
U.S. PATENT DOCUMENTS
D298,663 S * 11/1988 Honjo D27/141
D429,689 S * 8/2000 Barragan, Jr. D13/144
D491,308 S * 6/2004 Sheen D27/141
D526,962 S * 8/2006 Krieger D13/144
D530,280 S * 10/2006 Krieger D13/144
D566,887 S * 4/2008 Hui D13/144
D620,441 S * 7/2010 Hou D13/144
D697,482 S * 1/2014 Cheng D13/144
D721,038 S * 1/2015 Chiu D13/144
D769,184 S * 10/2016 Esses D13/107

D781,236 S * 3/2017 Esses D13/144
D925,819 S * 7/2021 Xu D27/141
2019/0308542 A1* 10/2019 Wang B60N 3/14

OTHER PUBLICATIONS

“Vano Fast 3 Port USB Car Charger” Vano Store, posted date Dec. 7, 2014 [online], [retrieved on Nov. 5, 2021]. Retrieved from the Internet <URL:https://www.amazon.com/Vano-Cigarette-Lighter-Charger-Portable/dp/B00QPAT7A8> (Year: 2014).*
“Otium Cigarette Lighter Splitter” Otium, posted date Jan. 11, 2021 [online], [retrieved on Nov. 5, 2021]. Retrieved from the Internet <URL:https://www.amazon.com/Otium-Cigarette-Lighter-Splitter-2-Socket/dp/B08SM5W937/ref=pd_lpo_3?pd_rd_i=B08SM5W937&psc=1> (Year: 2021).*

(Continued)

Primary Examiner — Darlington Ly
Assistant Examiner — Nasim Abdulaziz Ali

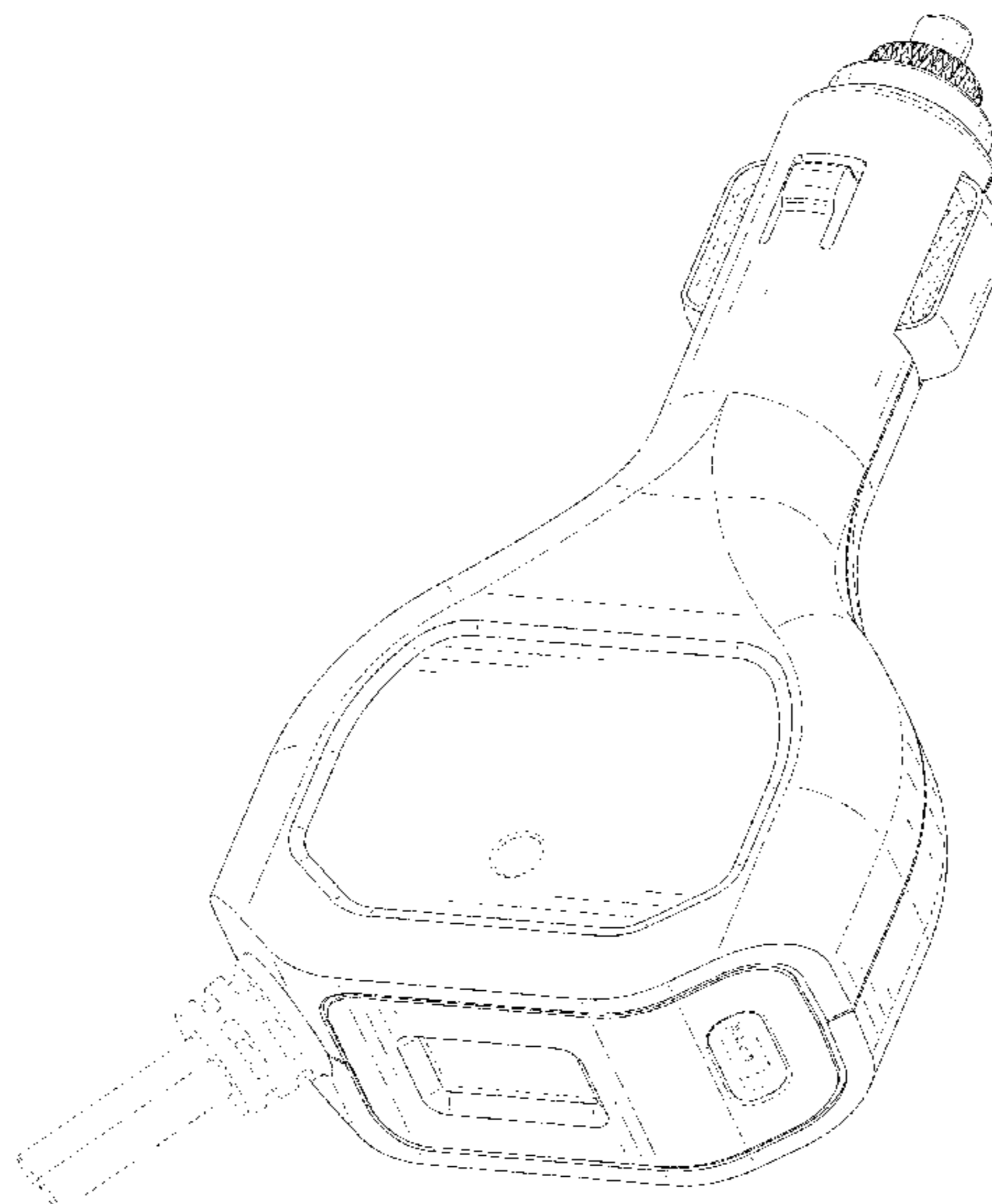
(57) **CLAIM**

The ornamental design for a car cigarette lighter, as shown and described.

DESCRIPTION

FIG. 1 is a perspective view of a car cigarette lighter showing my new design;
FIG. 2 is another perspective view thereof;
FIG. 3 is a front elevational view thereof;
FIG. 4 is a rear elevational view thereof;
FIG. 5 is a left side elevational view thereof;
FIG. 6 is a right side elevational view thereof;
FIG. 7 is a top plan view thereof; and,
FIG. 8 is a bottom plan view thereof.
The broken lines in the drawings are for the purpose of illustrating portions of the car cigarette lighter that form no part of the claimed design.

1 Claim, 8 Drawing Sheets



(56)

References Cited

OTHER PUBLICATIONS

“4 in 1 USB C Car Charger, 36W Multi USB Cigarette Lighter”
IDOLCO, posted date Jun. 30, 2020 [online], [retrieved on Nov. 5,
2021]. Retrieved from the Internet <<https://www.amazon.com/USB-Car-Charger-Cigarette-Splitter/dp/B088FJDDZ5>> (Year: 2020).*

* cited by examiner

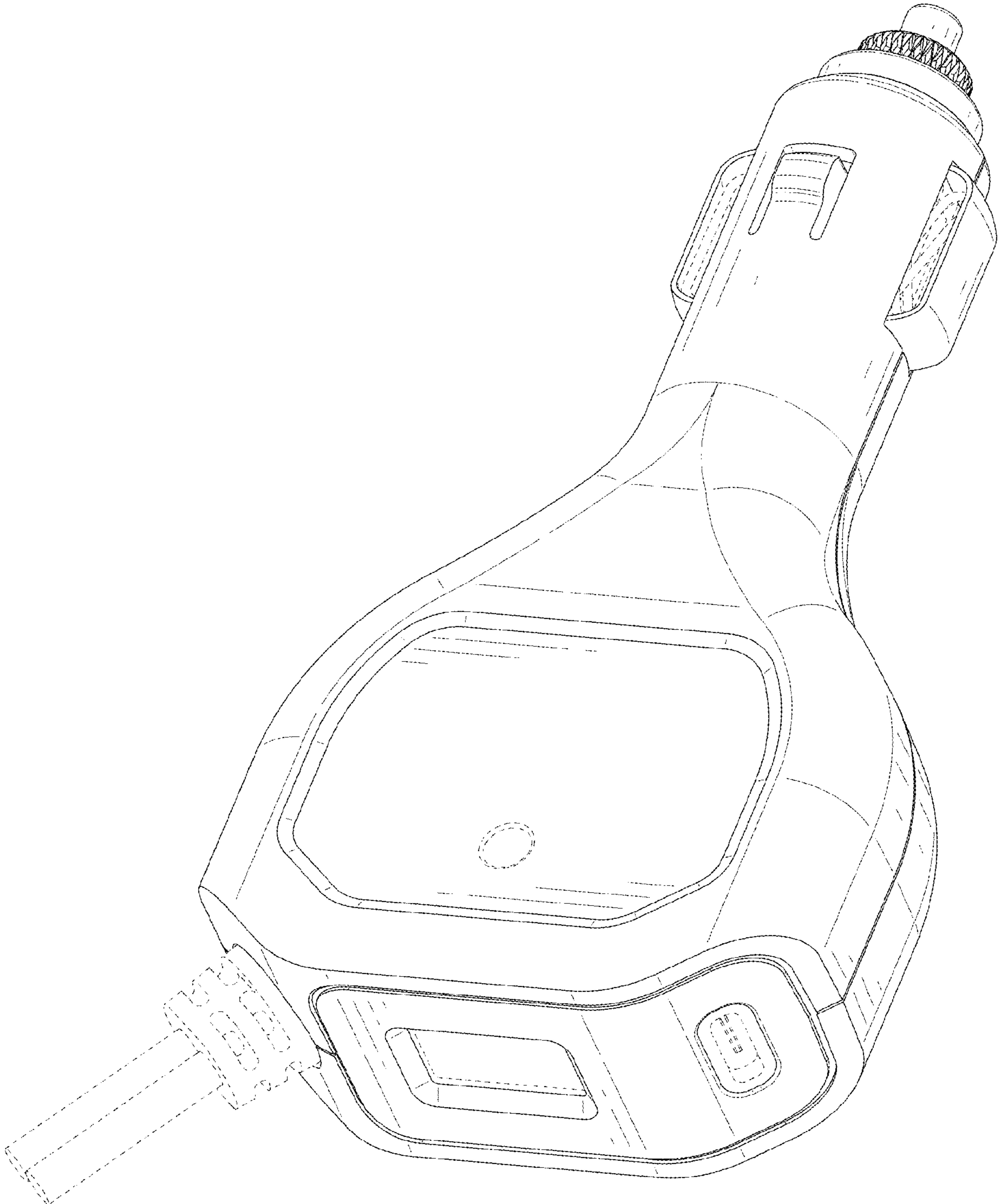


FIG. 1

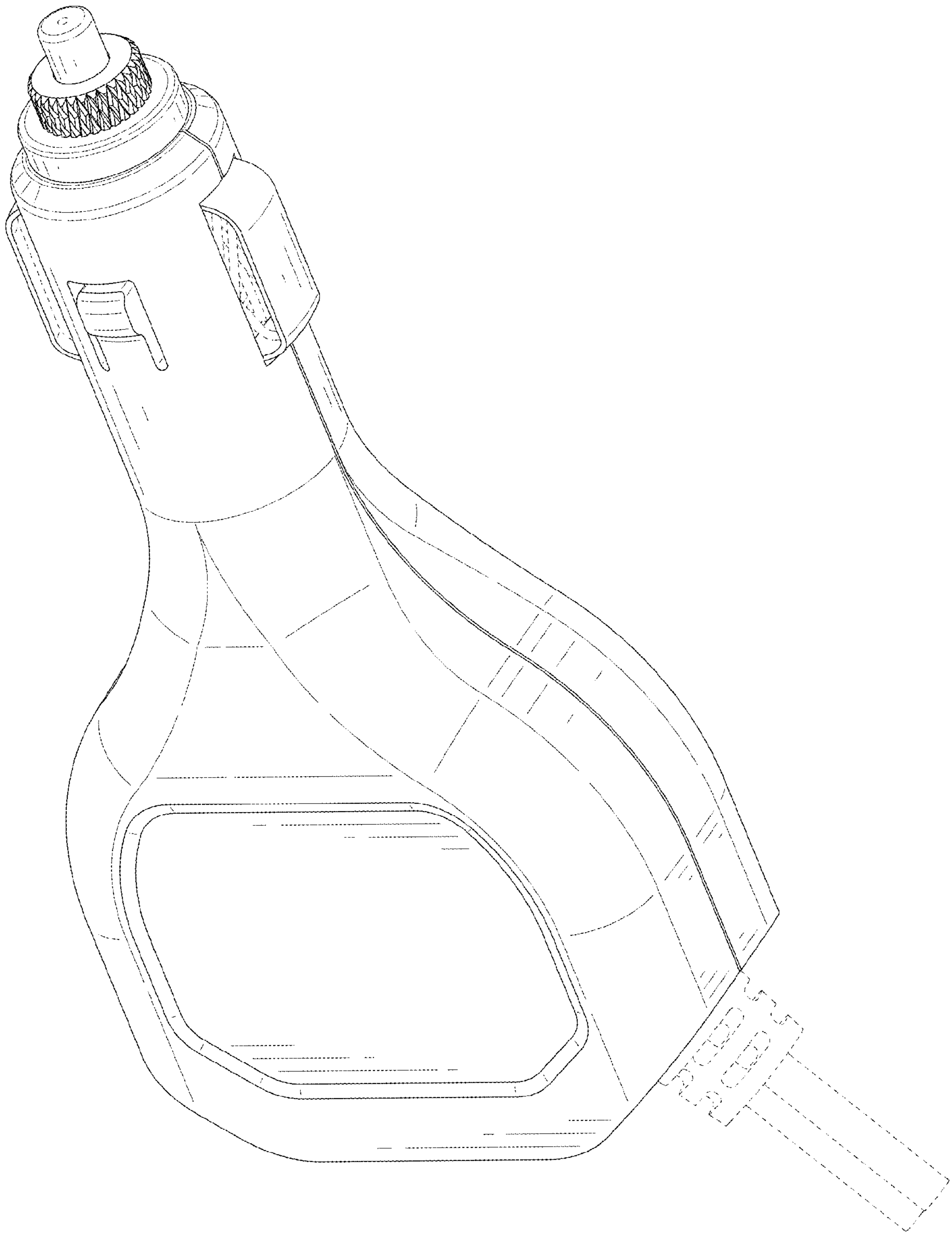


FIG. 2

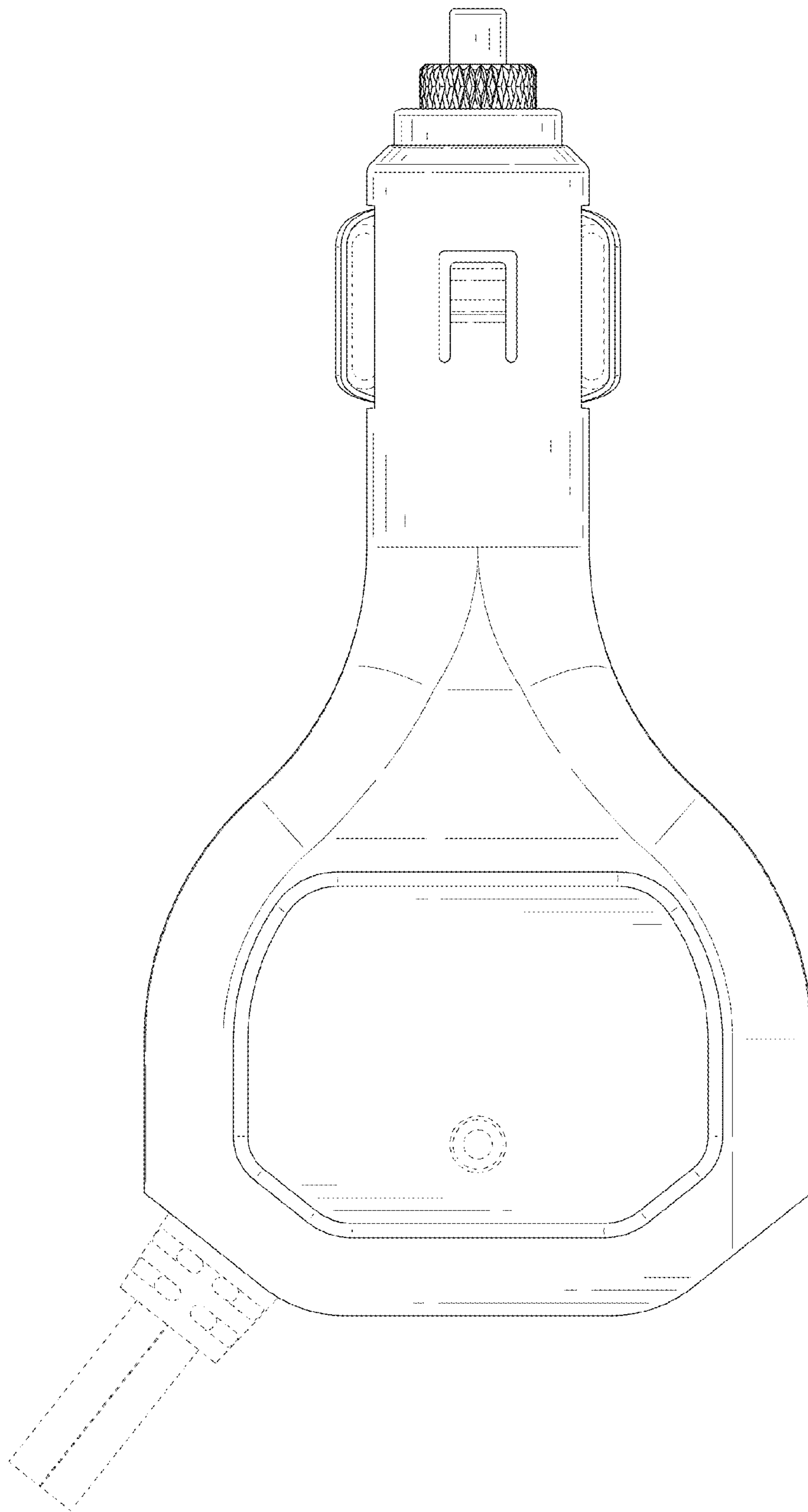


FIG. 3

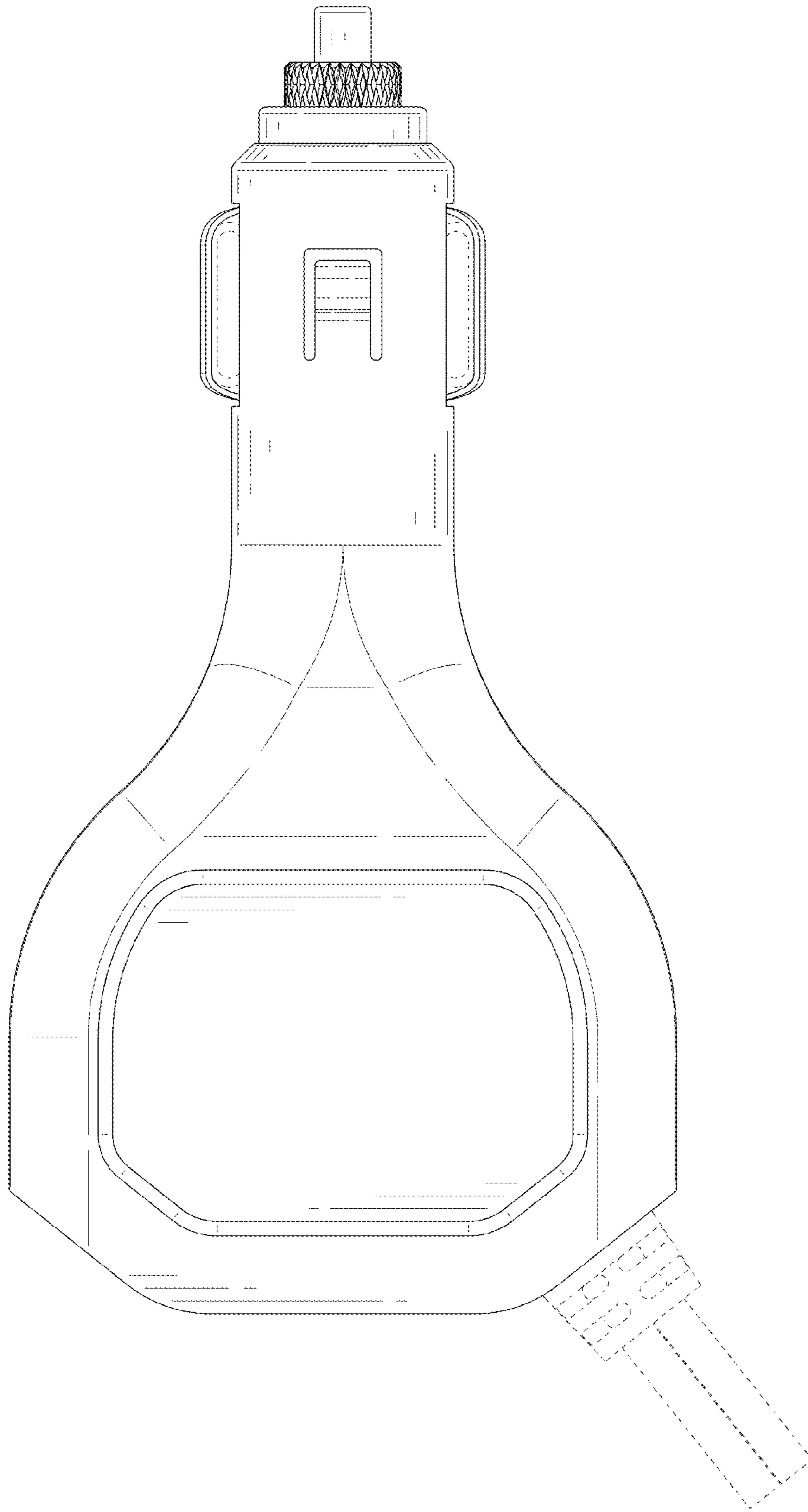


FIG. 4

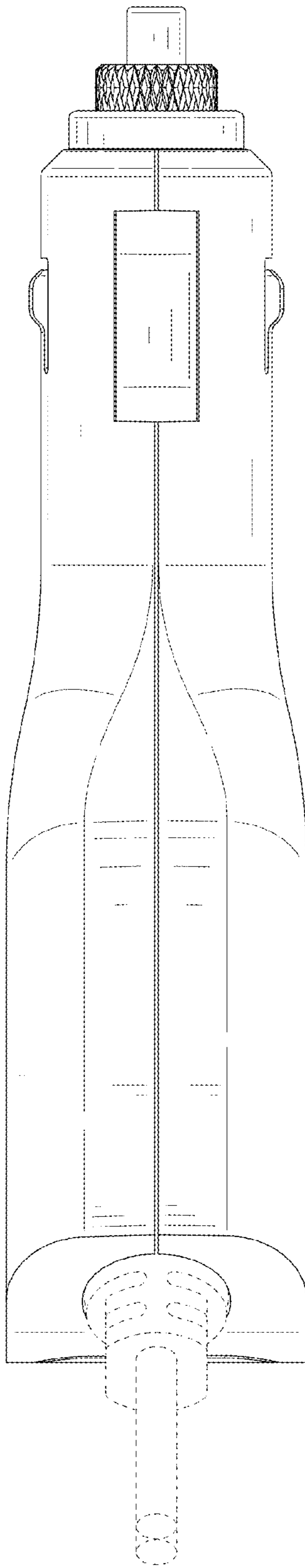


FIG. 5

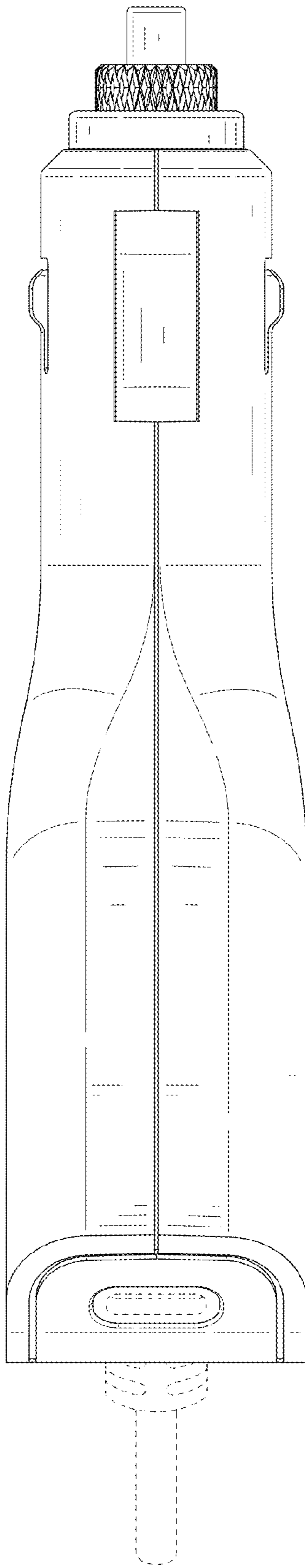


FIG. 6

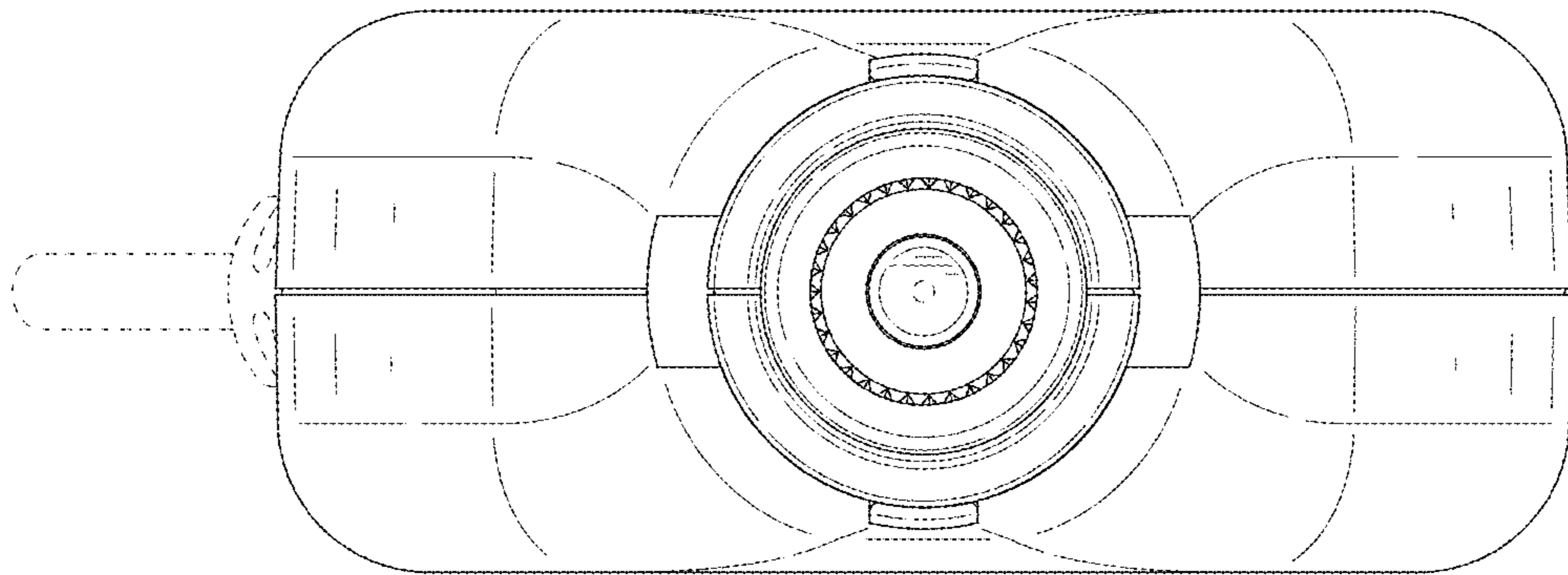


FIG. 7

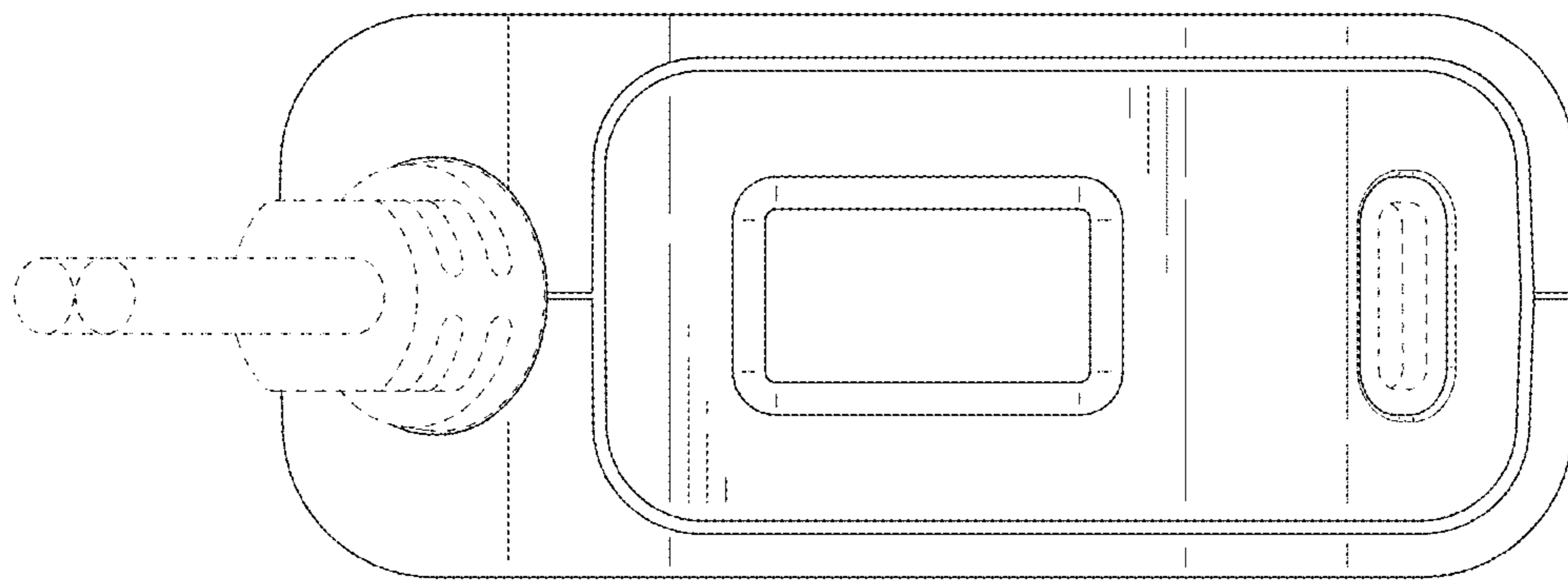


FIG. 8