



US00D940947S

(12) **United States Design Patent** (10) **Patent No.:** **US D940,947 S**
Burkhart (45) **Date of Patent:** **** *Jan. 11, 2022**

(54) **LIGHTING COVER**

(71) Applicant: **LUXX LIGHTING, INC.**, Mira Loma, CA (US)
(72) Inventor: **Brandon Burkhart**, Stuart, FL (US)
(73) Assignee: **LUXX LIGHTING, INC.**, Mira Loma, CA (US)

(*) Notice: This patent is subject to a terminal disclaimer.

(**) Term: **15 Years**

(21) Appl. No.: **29/644,007**

(22) Filed: **Apr. 13, 2018**

(51) **LOC (13) Cl.** **26-05**

(52) **U.S. Cl.**
USPC **D26/118**

(58) **Field of Classification Search**
USPC ... D26/9, 10, 12, 13, 15, 16, 24, 51, 61, 72, D26/76, 80, 81, 85, 86, 88, 90, 113, D26/118-120, 122, 128, 129, 138, 143, D26/144
CPC B60Q 1/04; B60Q 1/26; F21S 8/026; F21S 8/04; F21V 29/004; F21V 29/83; F21V 21/02; F21V 21/04; F21V 7/00; F21V 7/22; F21V 37/002; F21L 19/00; F23D 11/443; F21Y 2101/02; A61L 9/037
See application file for complete search history.

(56) **References Cited**

U.S. PATENT DOCUMENTS

D771,301 S	*	11/2016	Stanley	D26/118
D802,830 S	*	11/2017	Stanley	D26/118
D822,883 S	*	7/2018	Stanley	D26/118
D825,826 S	*	8/2018	Stanley	D26/118
D826,467 S	*	8/2018	Reynolds	D26/118
D826,468 S	*	8/2018	Stanley	D26/118
D831,265 S	*	10/2018	Stanley	D26/118

D837,442 S	*	1/2019	Reynolds	D26/118
D838,033 S	*	1/2019	Xiong	D26/118
D839,471 S	*	1/2019	Reynolds	D26/118
D842,532 S	*	3/2019	Reynolds	D26/118
D843,049 S	*	3/2019	Stanley	D26/118
D843,640 S	*	3/2019	Stanley	D26/118
D848,665 S	*	5/2019	Stanley	D26/118
D851,814 S	*	6/2019	Stanley	D26/118
D854,229 S	*	7/2019	Stanley	D26/118
D855,245 S	*	7/2019	Chami	D26/118

(Continued)

OTHER PUBLICATIONS

630 CMH Specifications—Luxx Lighting <https://luxxlighting.com/education/630-cmh-specifications/> Feb. 7, 2019 (Year: 2019).*

(Continued)

Primary Examiner — Leanne Was-Englehart

(74) *Attorney, Agent, or Firm* — Dorsey & Whitney LLP

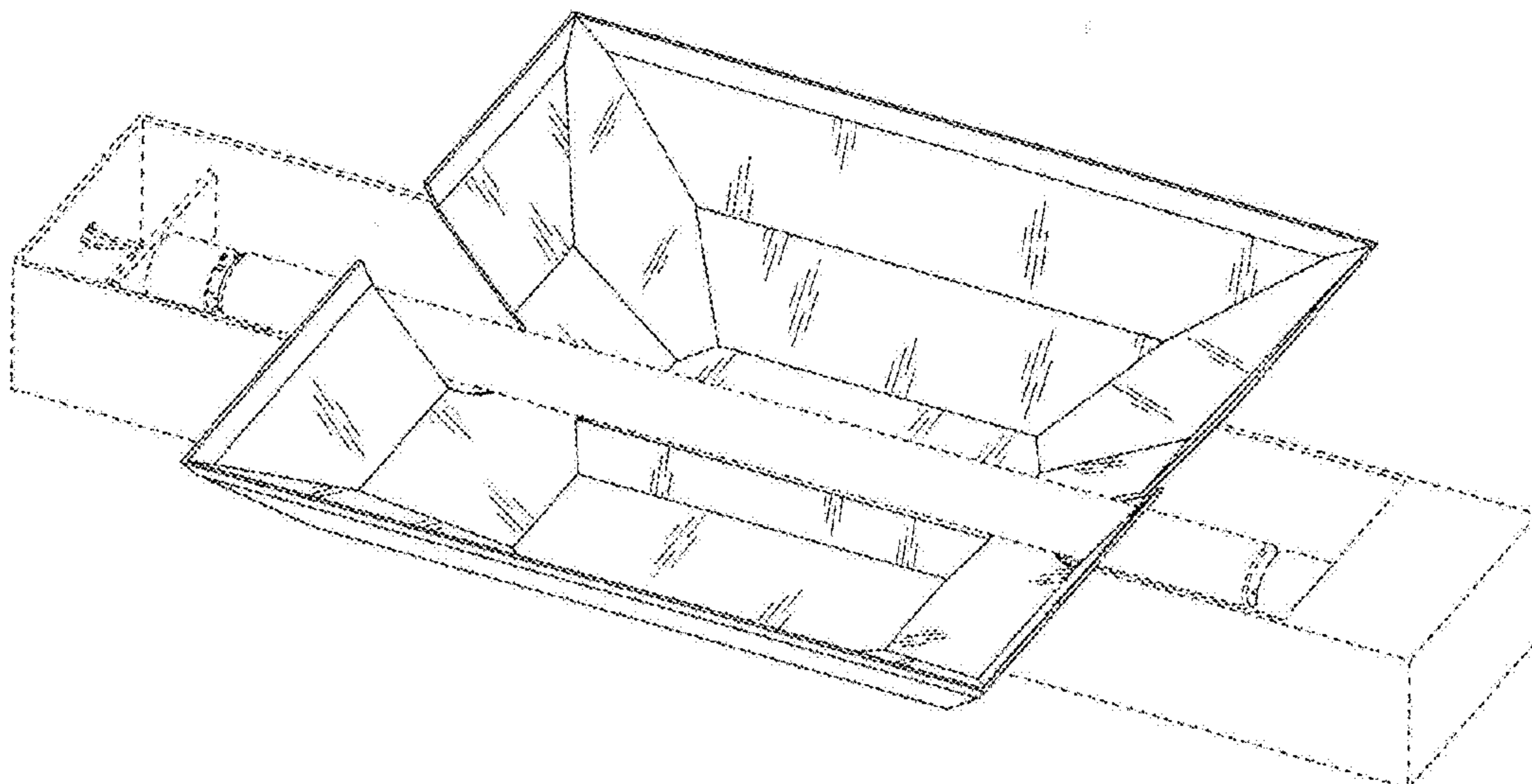
(57) **CLAIM**

I claim the ornamental design for a lighting cover, as shown and described.

DESCRIPTION

FIG. 1 is a perspective view of the lighting cover.
FIG. 2 is the front view of the lighting cover.
FIG. 3 is a back view of the lighting cover.
FIG. 4 is a side view of the lighting cover.
FIG. 5 is the other side view of the lighting cover.
FIG. 6 is the bottom view of the lighting cover.
FIG. 7 is a top view of the lighting cover.
FIG. 8 is an exploded view of the lighting cover.
FIG. 9 is a perspective view of the lighting cover.
FIG. 10 is a bottom perspective view of the lighting cover; and,
FIG. 11 is a perspective view of the lighting cover.
The broken lines in the drawings illustrate environmental structures and form no part of the claimed design.

1 Claim, 5 Drawing Sheets



(56)

References Cited

U.S. PATENT DOCUMENTS

D857,285 S * 8/2019 Reynolds D26/118
2013/0155685 A1* 6/2013 Stanley F21V 7/00
362/294

OTHER PUBLICATIONS

Hydroponics Twitter https://twitter.com/hydroponics_inc posted Apr. 8, 2019 (Year: 2019).*

Hydroponics Twitter Luxx Lamp Holder Cover https://twitter.com/hydroponics_inc posted Mar. 8, 2019 (Year: 2019).*

Light it With Luxx Lighting <https://luxxlighting.com/> Available Aug. 21, 2018 (Year: 2018).*

* cited by examiner

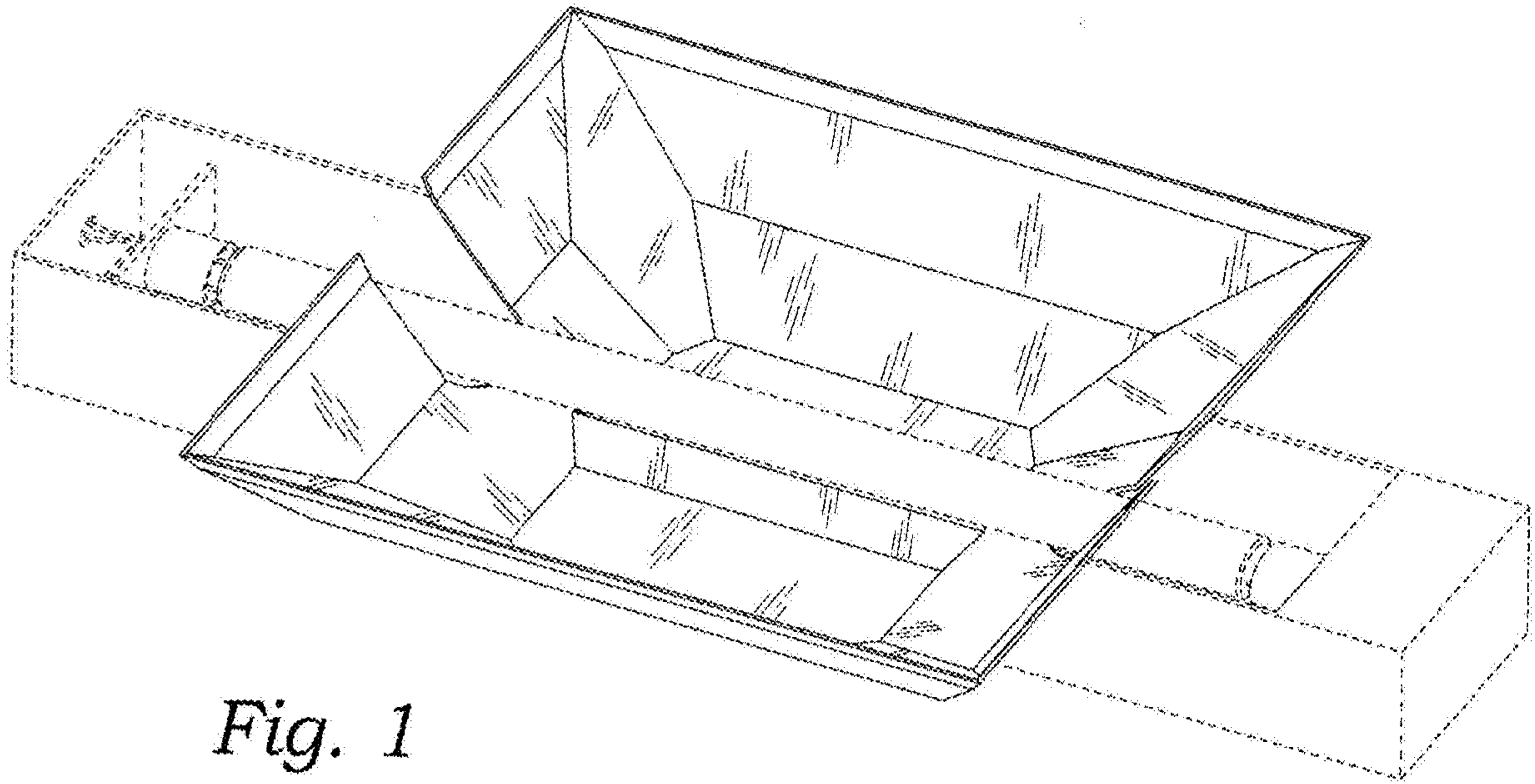


Fig. 1

Fig. 2

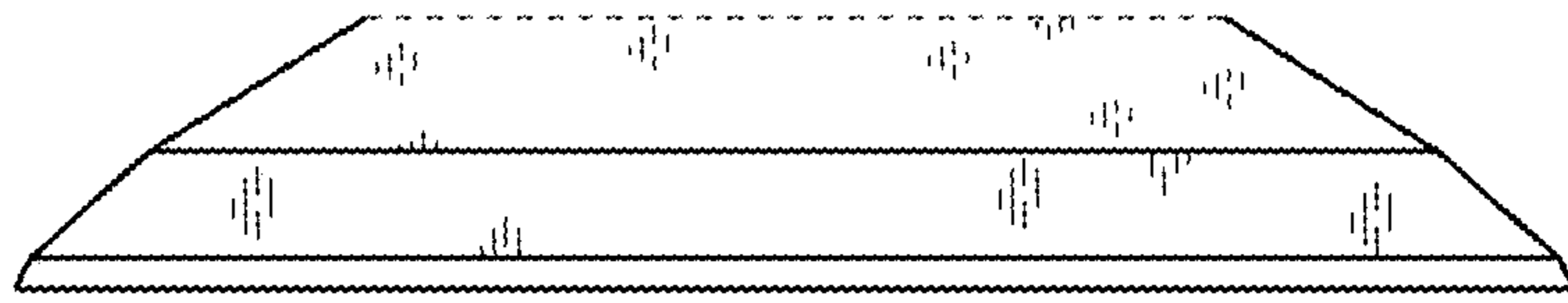


Fig. 3

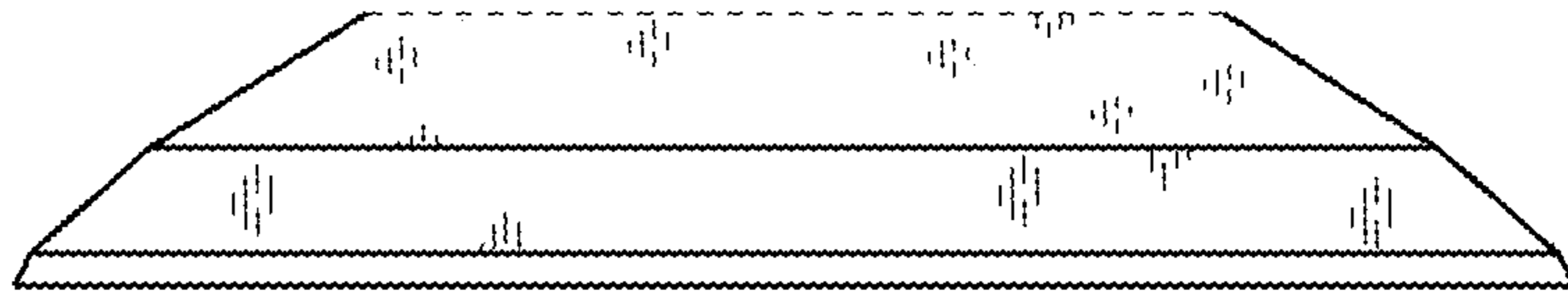


Fig. 4

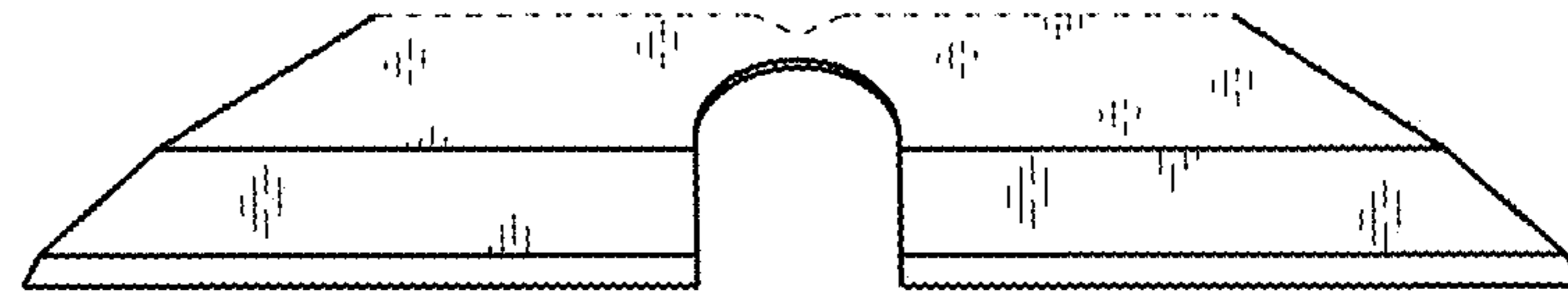
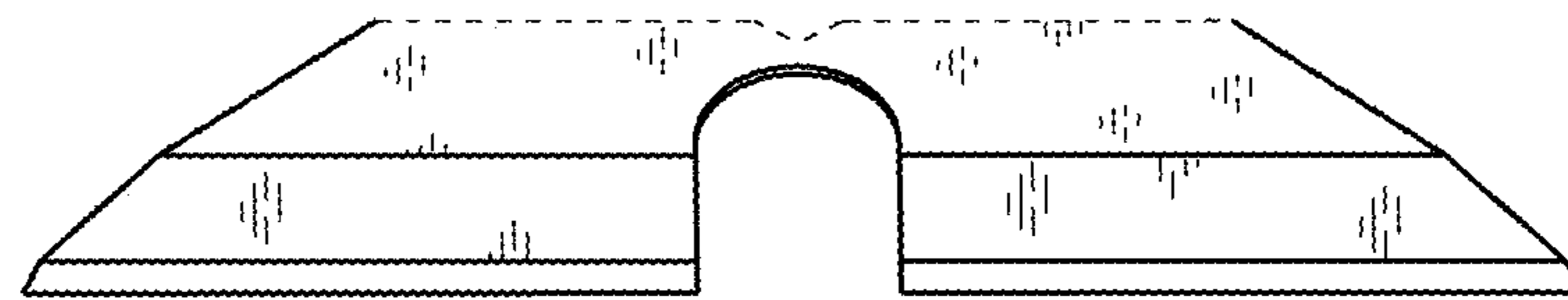


Fig. 5



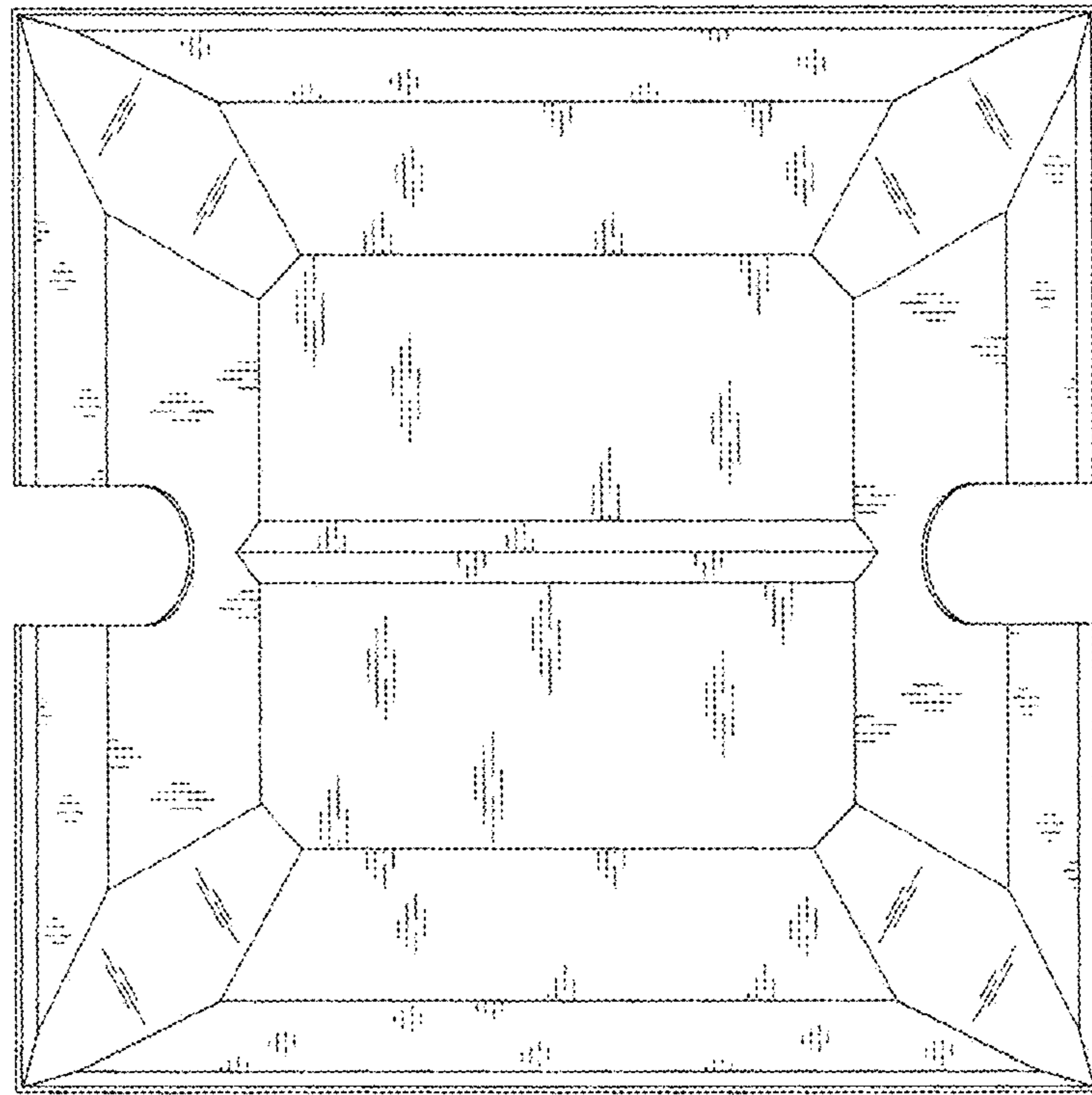


Fig. 6

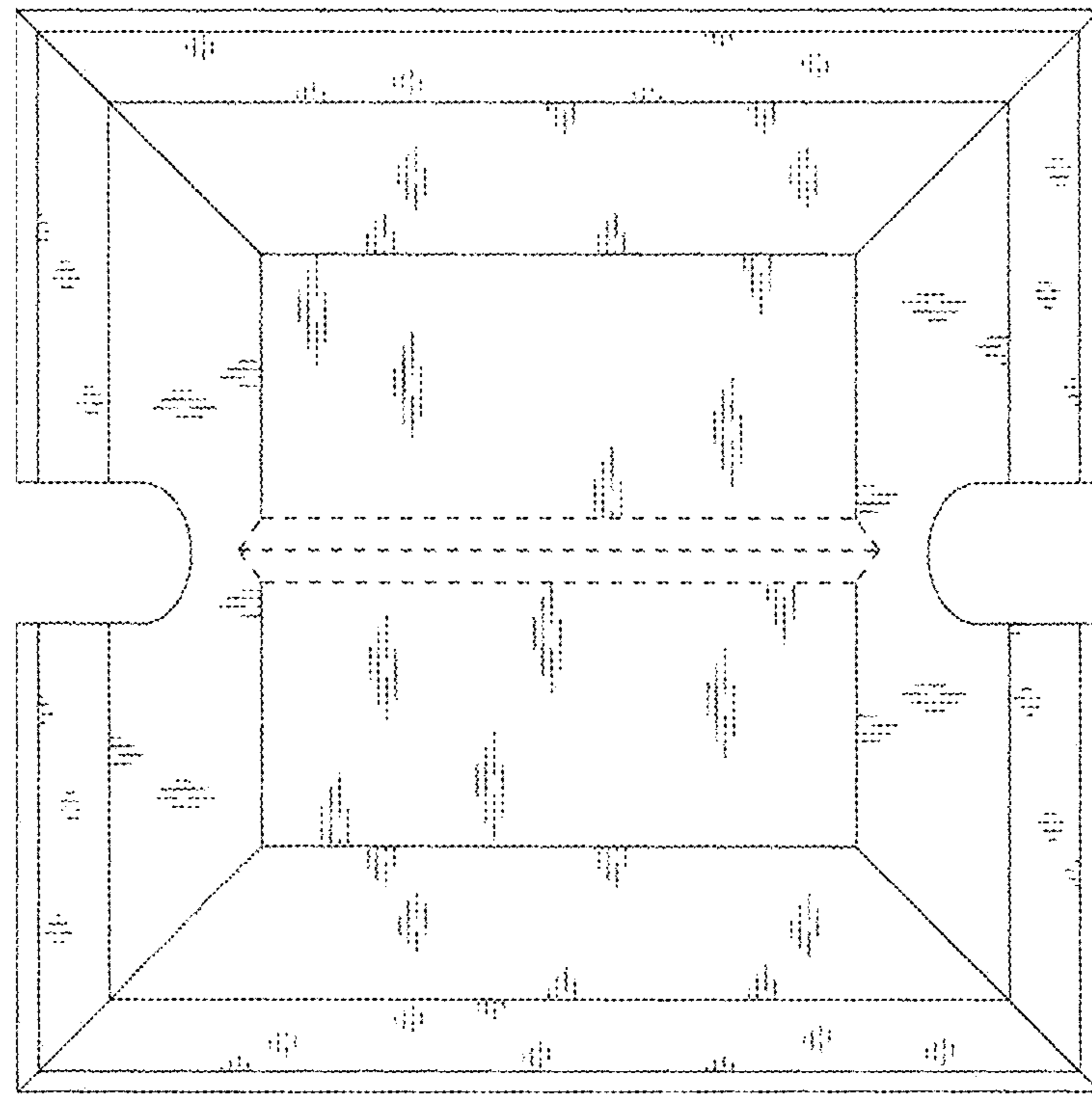


Fig. 7

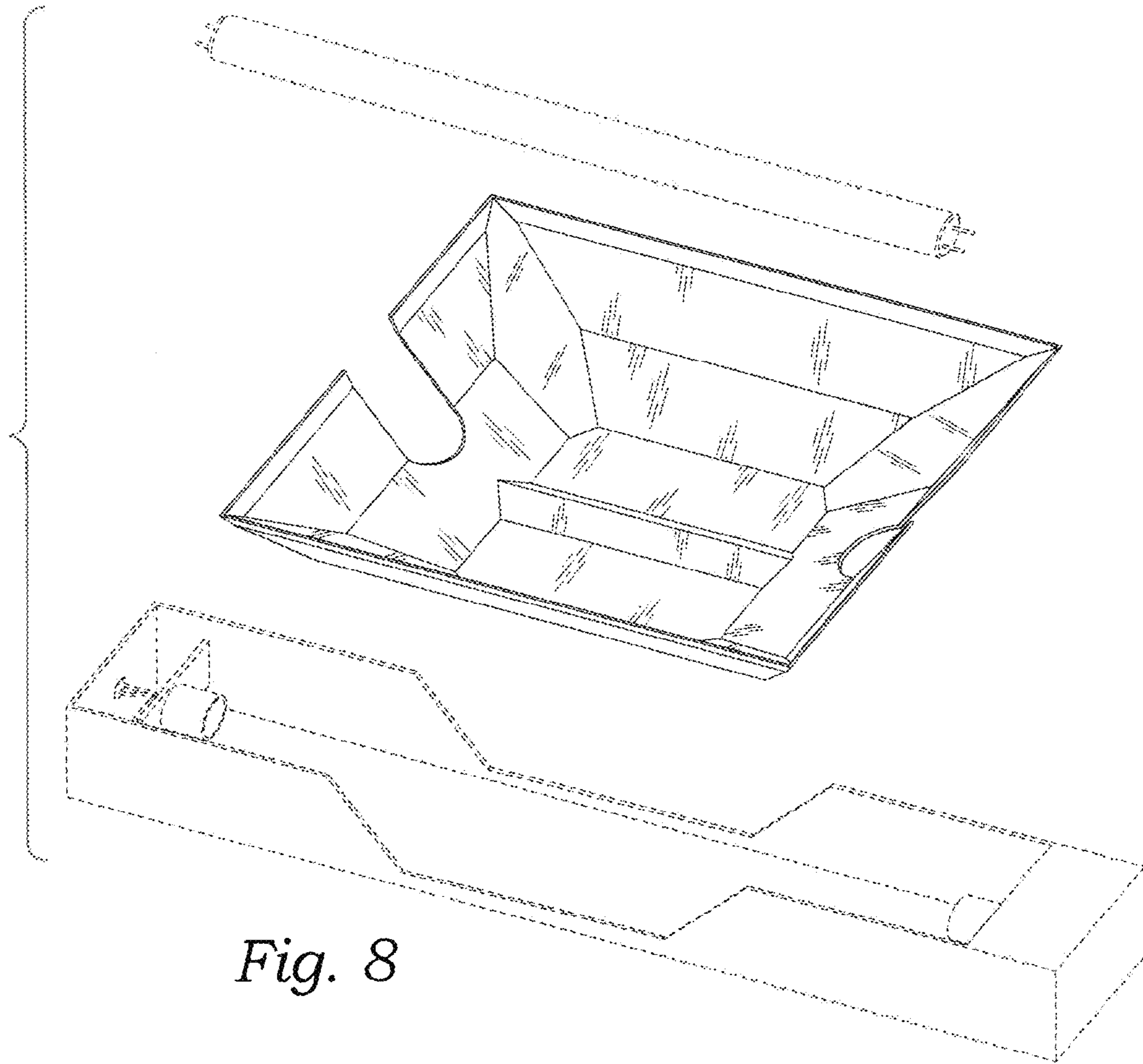


Fig. 8

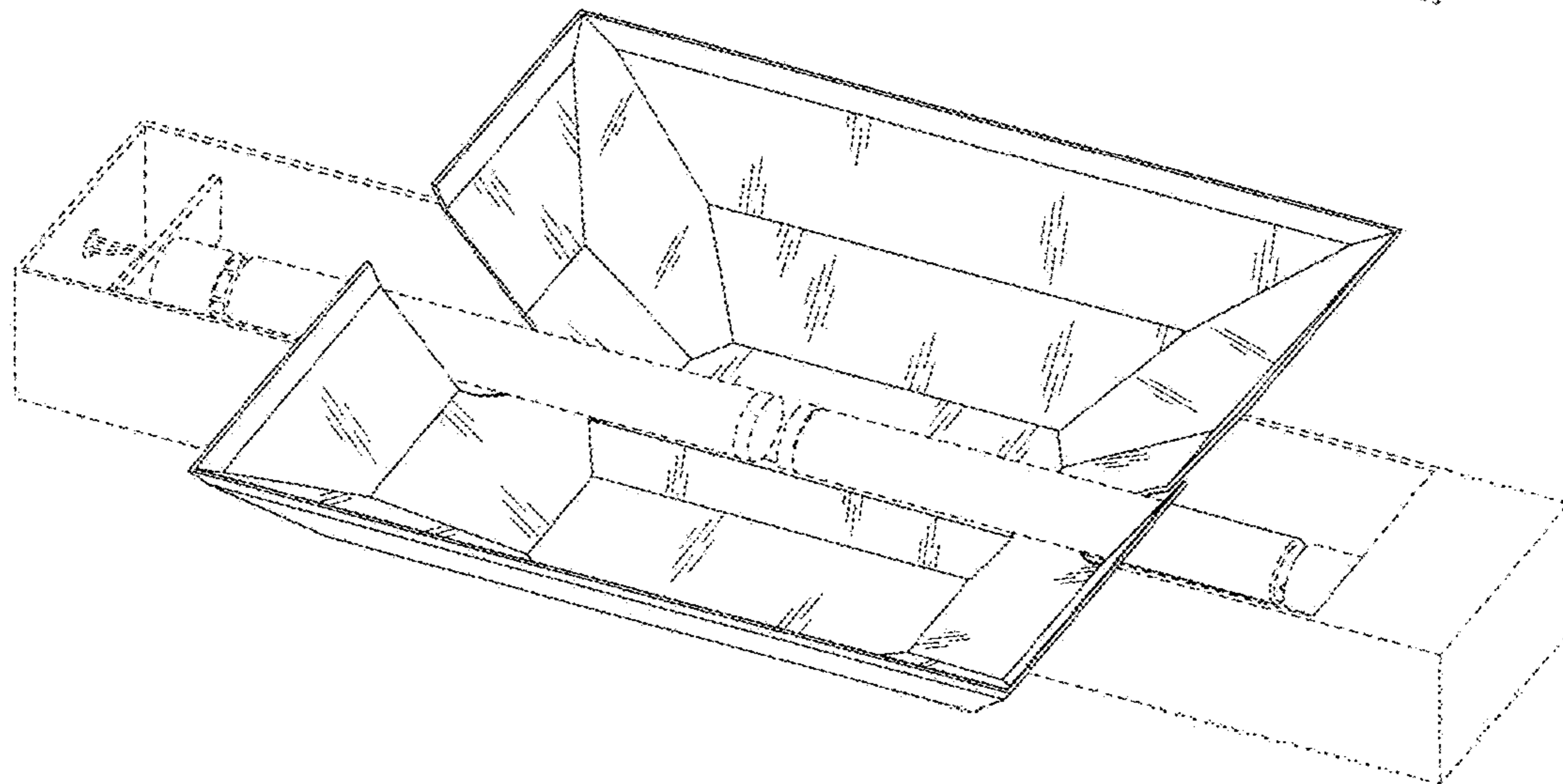


Fig. 9

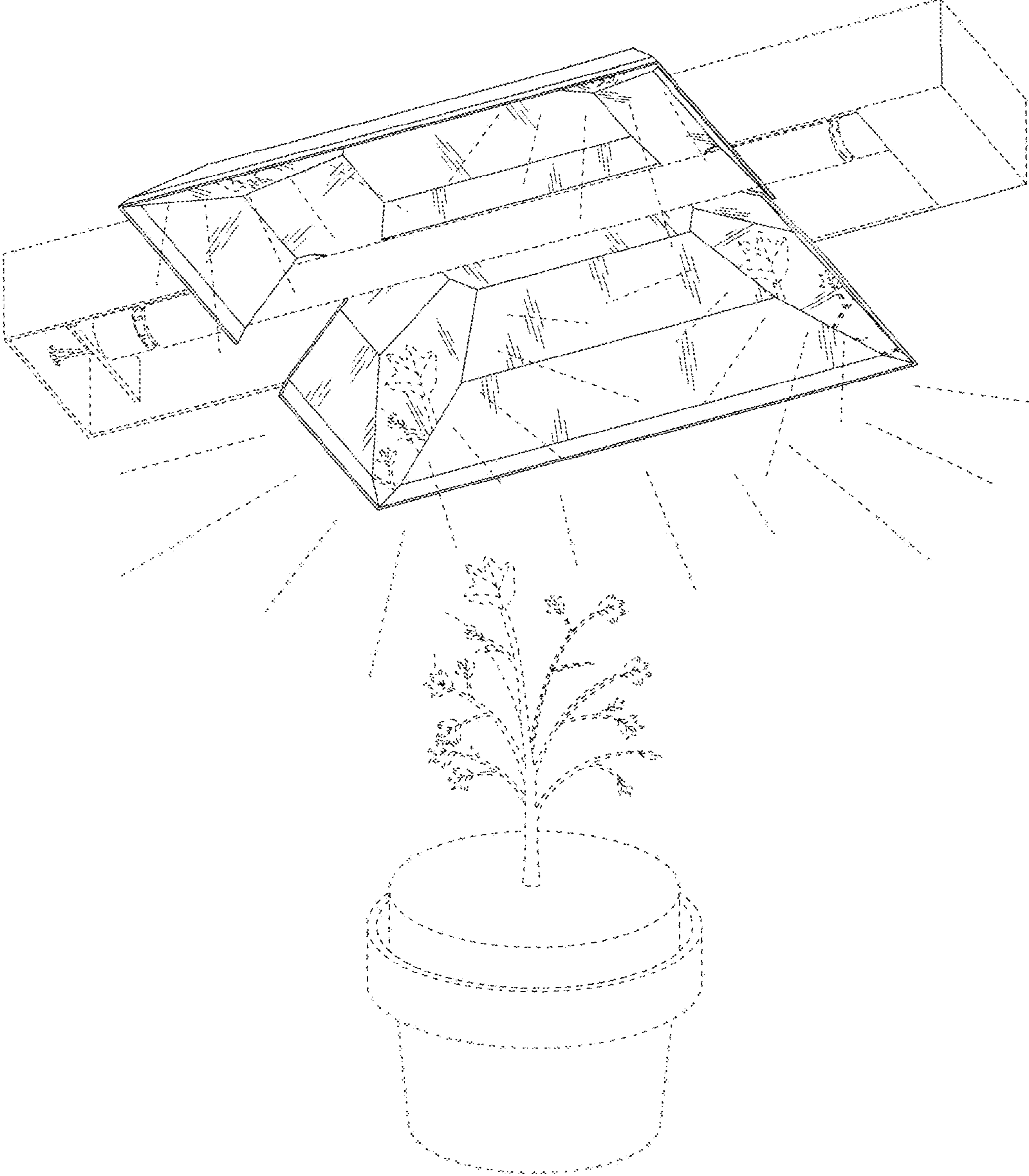


Fig. 10

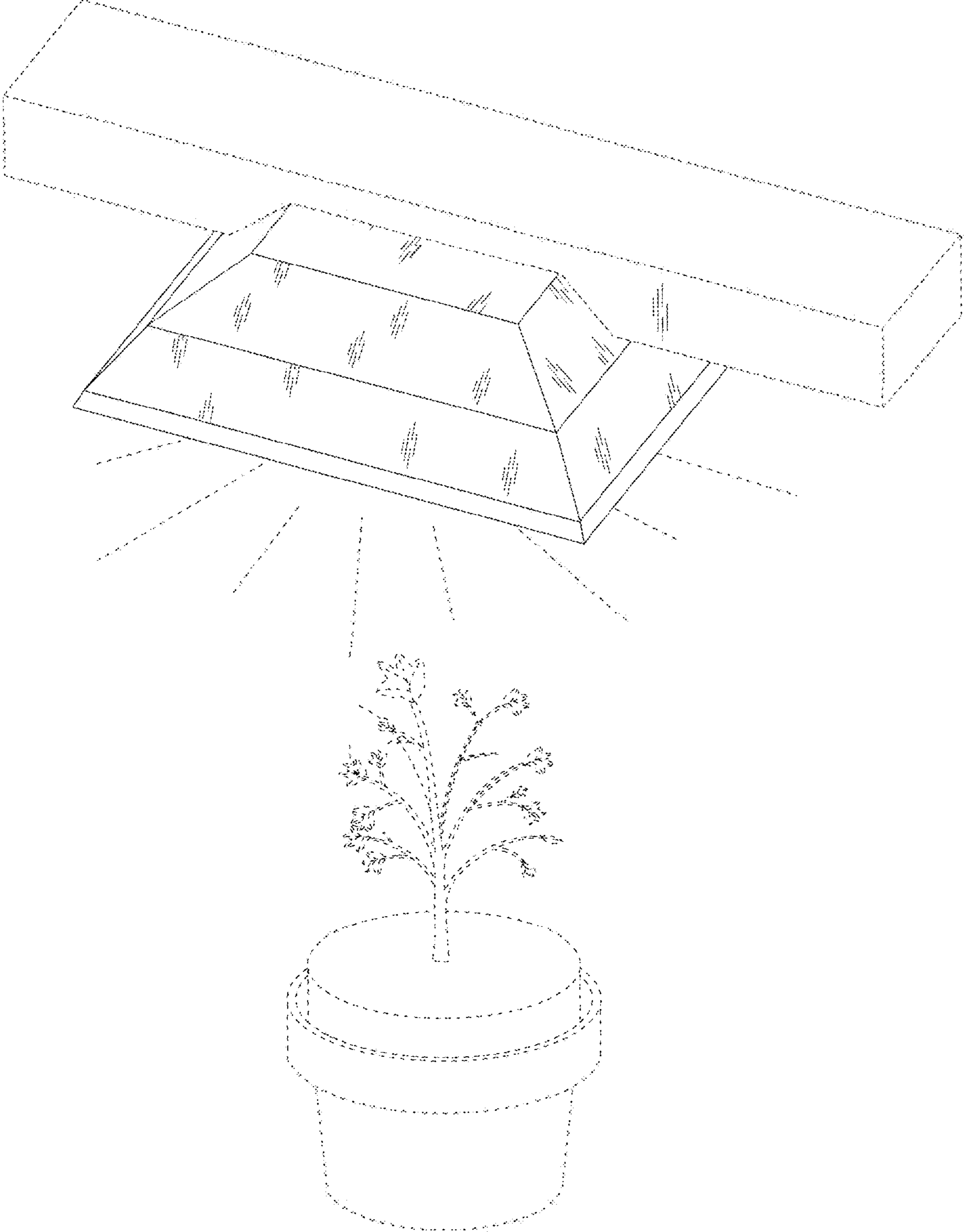


Fig. 11