

US00D940946S

(12) **United States Design Patent**
Xu

(10) **Patent No.:** **US D940,946 S**

(45) **Date of Patent:** **** Jan. 11, 2022**

(54) **LED LIGHT**

D787,107 S * 5/2017 Burmeister D26/76
D822,872 S * 7/2018 Frederiksen D26/76
D840,085 S * 2/2019 Deng F21V 5/04
D26/76

(71) Applicants: **Yaoping Xu**, Changzhou (CN);
Changzhou KAISEN Photoelectricity Co., Ltd., Changzhou (CN)

(Continued)

(72) Inventor: **Yaoping Xu**, Changzhou (CN)

FOREIGN PATENT DOCUMENTS

(73) Assignees: **CHANGZHOU KAISEN PHOTOELECTRICITY CO., LTD.**, Changzhou (CN); **Yaoping Xu**, Changzhou (CN)

CA 2520826 A1 * 3/2007 F21V 33/0012
CN 302314649 * 2/2013

(Continued)

(**) Term: **15 Years**

OTHER PUBLICATIONS

(21) Appl. No.: **29/706,355**

“Durolux DL842N T5 4-Foot 2 Fluorescent Lamps,” Jun. 8, 2017, amazon.com, site visited Apr. 22, 2021, URL: <https://www.amazon.com/DuroLux-DL842N-Fluorescent-SunlightSpectrum-Reflector/dp/B01L6HZTMO/> (Year: 2017).*

(22) Filed: **Sep. 19, 2019**

(Continued)

(51) **LOC (13) Cl.** **26-04**

(52) **U.S. Cl.**
USPC **D26/76; D26/72**

(58) **Field of Classification Search**
USPC D26/3, 24–27, 60–69, 72, 74–78, 80–86, D26/88, 89, 93, 104, 106, 118, 120, D26/108–115; D10/111–115
CPC F21Y 2115/10; F21Y 2103/10; F21Y 2103/20; F21S 4/28; F21S 8/04; F21V 7/005

See application file for complete search history.

Primary Examiner — Eric L Goodman
Assistant Examiner — Sarah L Smith

(74) *Attorney, Agent, or Firm* — Muncy, Geissler, Olds and Lowe, P.C.

(57) **CLAIM**

The ornamental design for an LED light, as shown and described.

DESCRIPTION

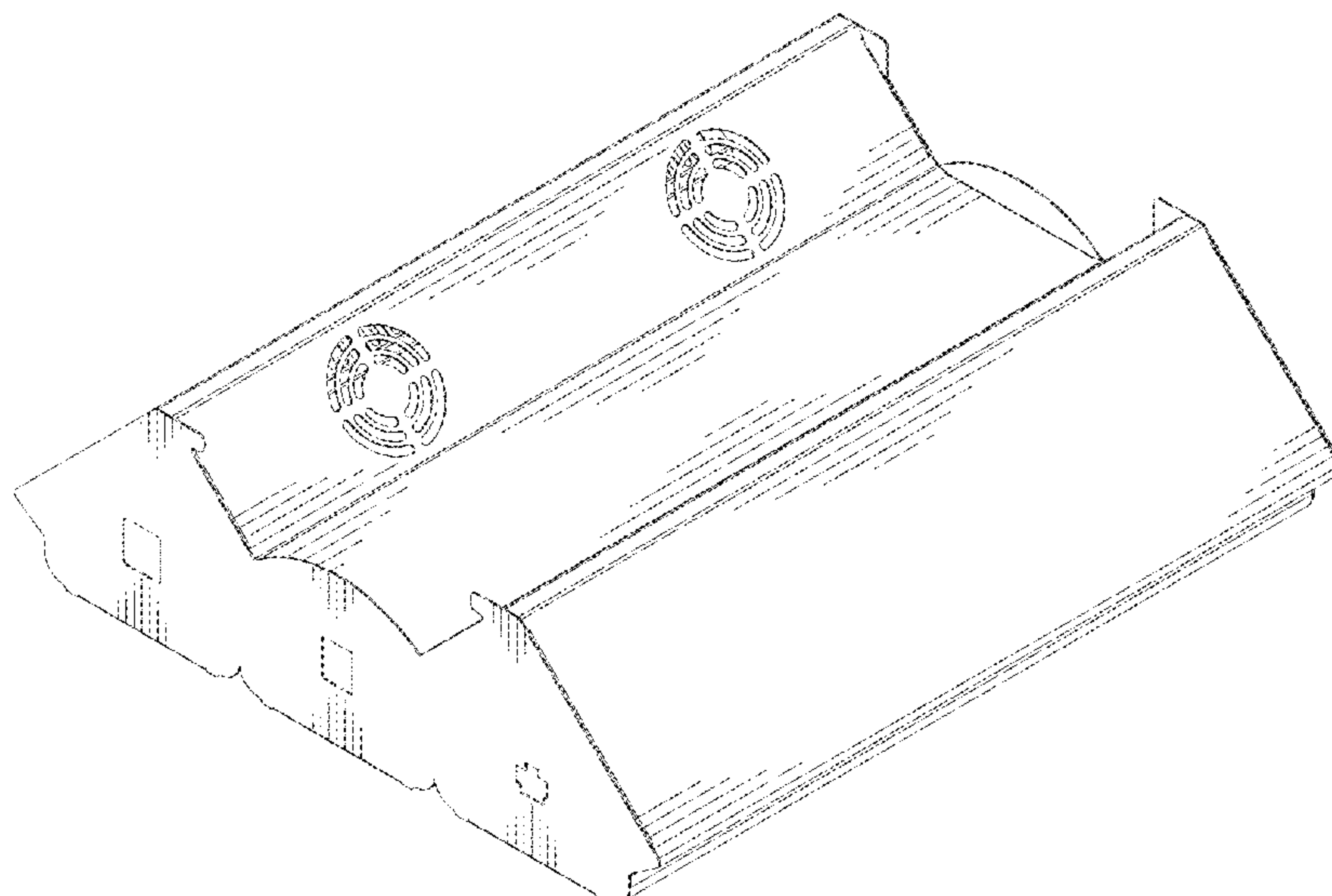
(56) **References Cited**

U.S. PATENT DOCUMENTS

D218,356 S * 8/1970 Bobrick D26/76
D300,874 S * 4/1989 Szymanek D26/76
D476,753 S * 7/2003 Chelf D26/3
D502,565 S * 3/2005 Hetfield F21V 33/0056
D26/76
8,322,011 B2 * 12/2012 Hargreaves F21V 23/02
29/428
8,376,583 B2 * 2/2013 Wang F21V 5/04
362/249.05
D757,326 S * 5/2016 Reynolds D26/76

FIG. 1 is a perspective view of an LED light showing my new design;
FIG. 2 is a front elevational view thereof;
FIG. 3 is a rear elevational view thereof;
FIG. 4 is a left-side view thereof;
FIG. 5 is a right-side view thereof;
FIG. 6 is a top plan view thereof; and,
FIG. 7 is a bottom plan view thereof.
The broken lines illustrate portions of the LED light which form no part of the claimed design.

1 Claim, 7 Drawing Sheets



(56)

References Cited

U.S. PATENT DOCUMENTS

D909,654 S * 2/2021 Sokol D26/76
10,989,372 B2 * 4/2021 Meir F21S 4/10
11,029,014 B2 * 6/2021 Xu F21V 29/677
11,029,084 B2 * 6/2021 Thomas A47F 11/10
2020/0396526 A1 * 12/2020 Vansickel F21V 33/0056

FOREIGN PATENT DOCUMENTS

CN 304381788 * 12/2017
CN 304748415 * 7/2018
DE 102010040579 A1 * 3/2012 F21V 11/02
JP D1310691 * 9/2007 F21V 33/0012
WO WO-2012041791 A1 * 4/2012 F21V 29/70
WO WO-2012159545 A1 * 11/2012 F21V 7/0083
WO WO-2014041016 A1 * 3/2014 F21V 11/02
WO WO-2019112806 A1 * 6/2019 H04R 1/04

OTHER PUBLICATIONS

“4FT LED Grow Light Fixture with Reflector Combo,” Jun. 10, 2019, amazon.com, site visited Apr. 22, 2021, URL: <https://www.amazon.com/Brillihood-Integrated-Reflector-Greenhouse-Hydroponic/dp/B07SSX3D4N> (Year: 2019).*

* cited by examiner

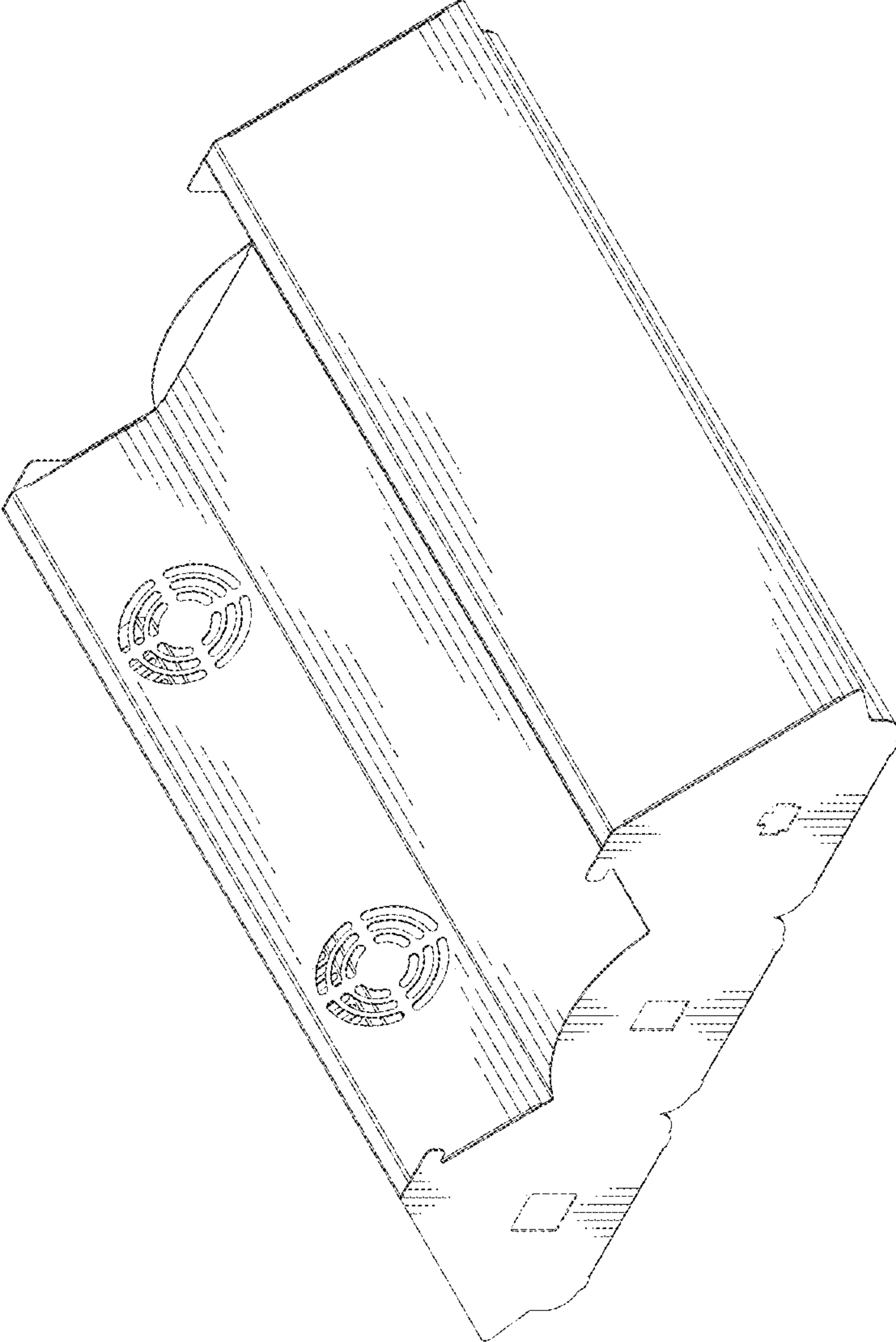


FIG. 1

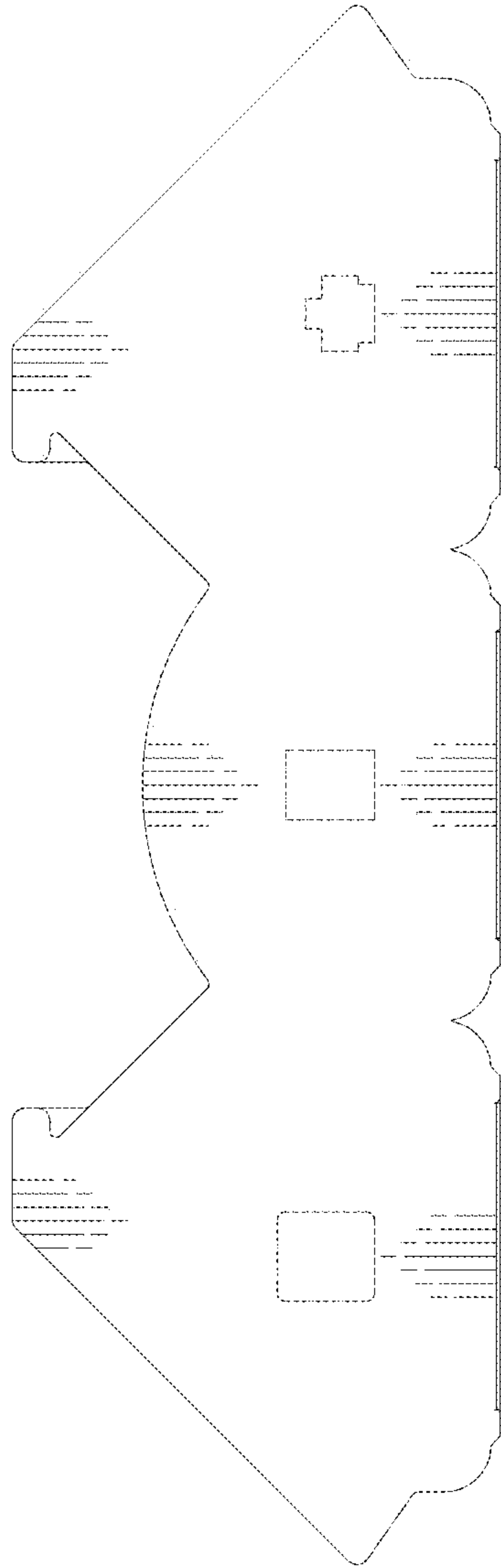


FIG. 2

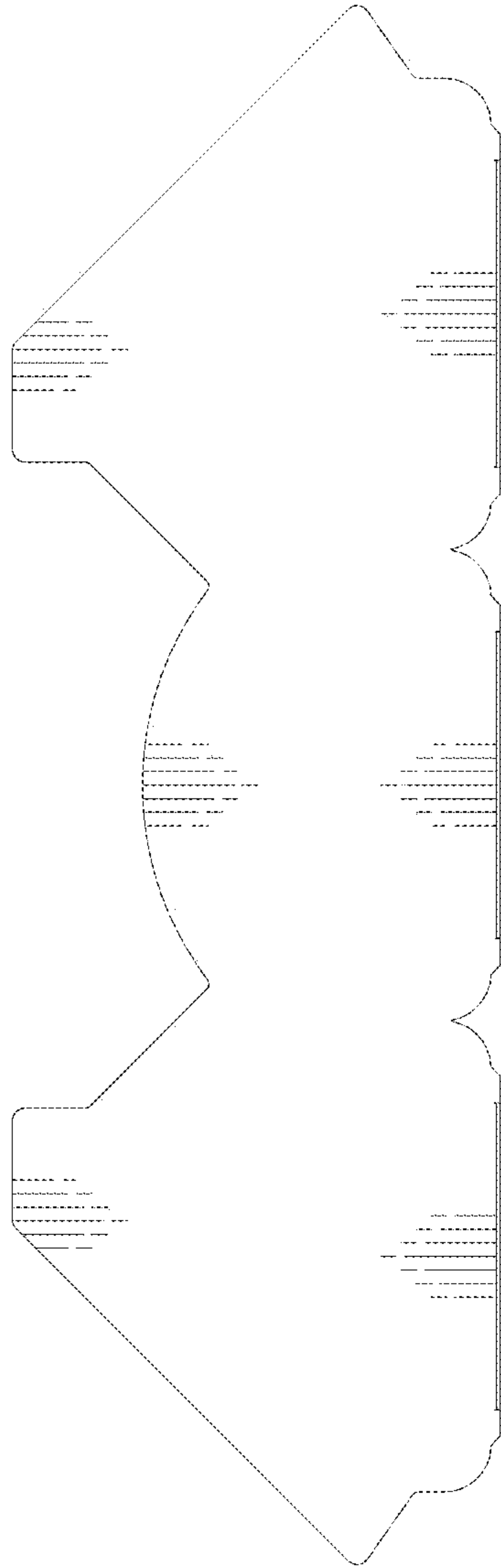


FIG. 3

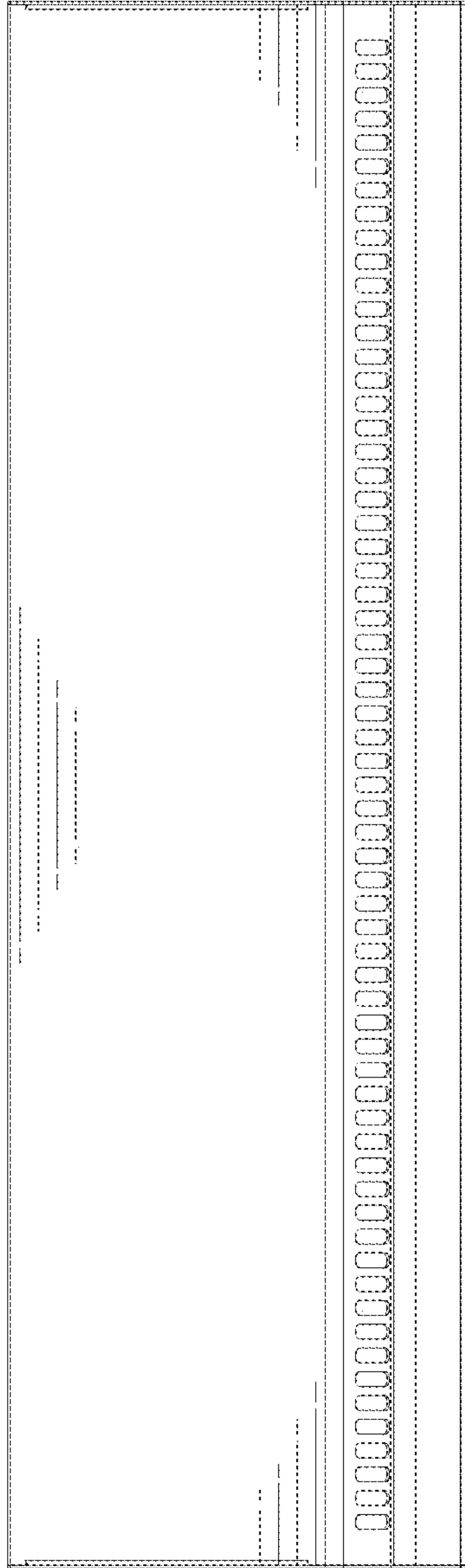


FIG. 4

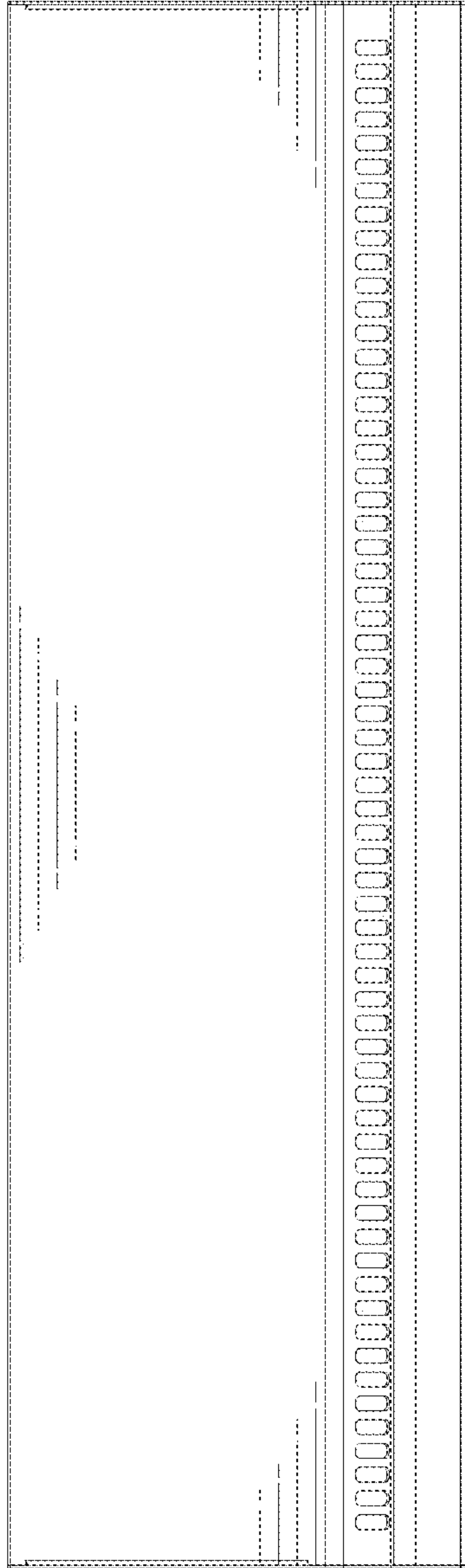


FIG. 5

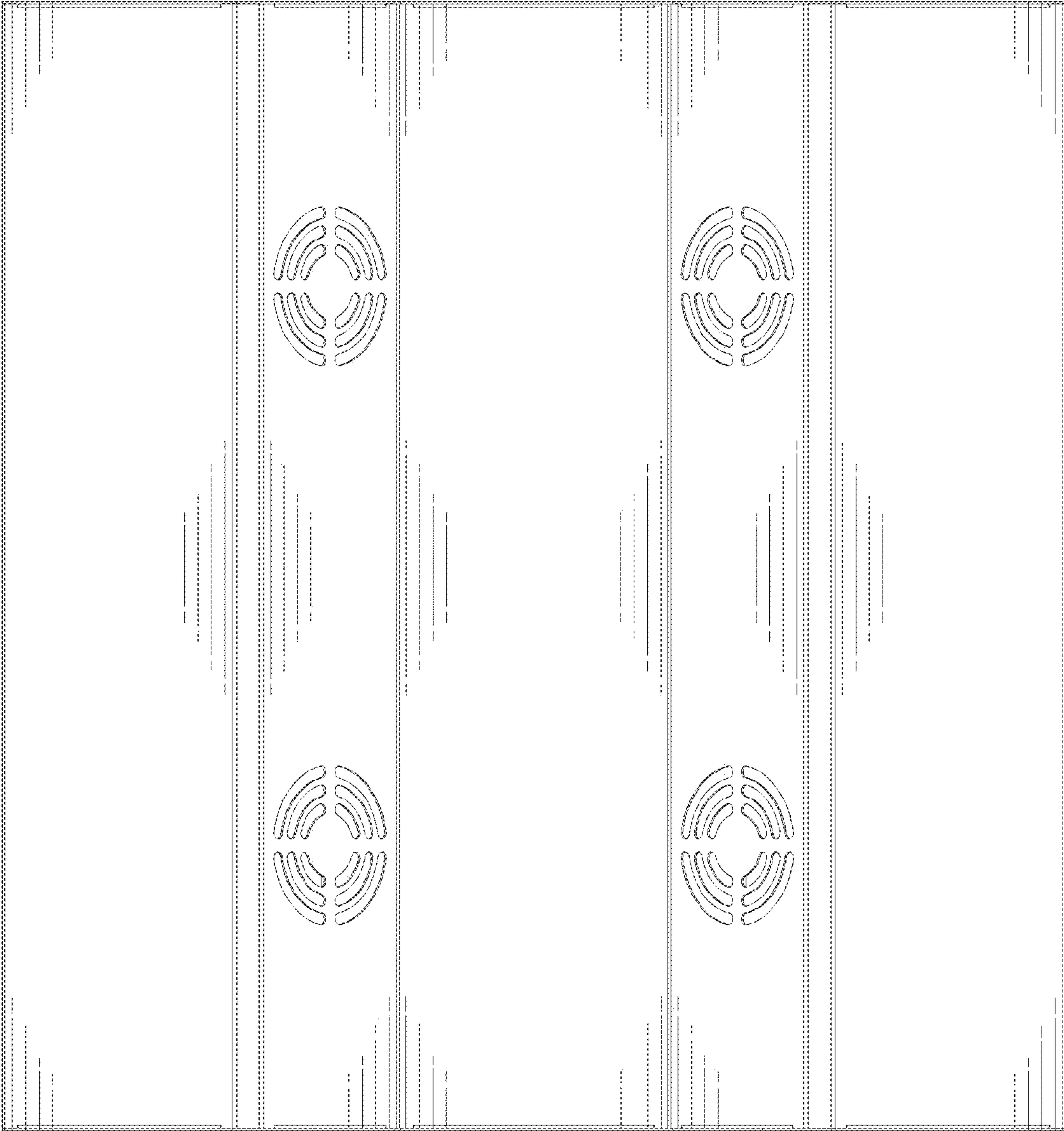


FIG. 6

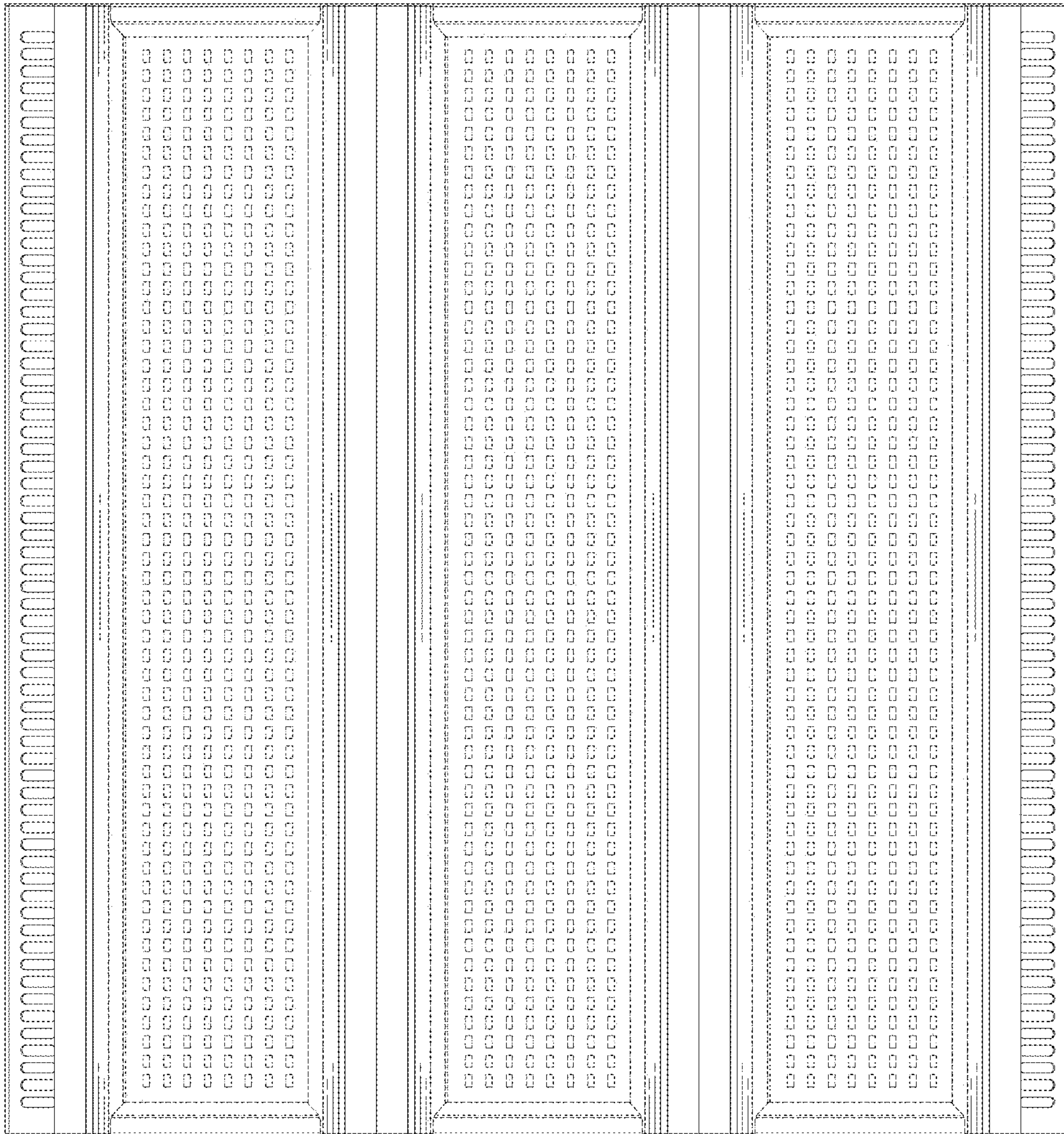


FIG. 7