



US00D940944S

(12) **United States Design Patent**
Gen et al.

(10) **Patent No.:** **US D940,944 S**
(45) **Date of Patent:** **** Jan. 11, 2022**

(54) **LIGHTING FIXTURE**

(71) Applicant: **SIGNIFY HOLDING B.V.**, Eindhoven (NL)

(72) Inventors: **Mo Ling Gen**, Shanghai (CN); **Kent Li**, Shanghai (CN)

(73) Assignee: **SIGNIFY HOLDING B.V.**, Eindhoven (NL)

(**) Term: **15 Years**

(21) Appl. No.: **29/724,096**

(22) Filed: **Feb. 12, 2020**

(30) **Foreign Application Priority Data**

Aug. 16, 2019 (EM) 006730149-0001

(51) **LOC (13) Cl.** **26-05**

(52) **U.S. Cl.**
USPC **D26/74**

(58) **Field of Classification Search**

USPC D26/74, 72, 75, 76, 77, 78, 85, 88, 89,
D26/118, 138, 141; 362/364, 365, 373,
362/145, 146, 147, 148, 150, 153, 153.1,
362/294, 296.01, 296.07, 296.08
CPC F21V 29/2262; F21V 7/06; F21V 21/044;
F21V 21/047; F21V 29/2212; F21V
29/2225; F21V 29/2256; F21V 29/225;
F21V 29/2268; F21Y 2111/002; F21S
8/02; F21S 8/026

See application file for complete search history.

(56) **References Cited**

U.S. PATENT DOCUMENTS

D636,921	S	*	4/2011	Van de Ven	D26/74
D704,371	S	*	5/2014	Van De Ven	D26/74
D767,194	S	*	9/2016	Lee	D26/74
D767,809	S	*	9/2016	Gotz-Schafer	D26/74
D772,466	S	*	11/2016	Zhang	D26/74
D824,074	S	*	7/2018	Vidal	D26/74
D848,048	S	*	5/2019	Baumeister	D26/74
D892,374	S	*	8/2020	Hsu	D26/51
2015/0198324	A1	*	7/2015	O'Brien	F21V 23/009 362/294
2021/0102690	A1	*	4/2021	Zeng	F21S 8/026
2021/0123588	A1	*	4/2021	Hou	F21V 21/30

* cited by examiner

Primary Examiner — Angela J Lee

(74) *Attorney, Agent, or Firm* — Daniel J. Piotrowski

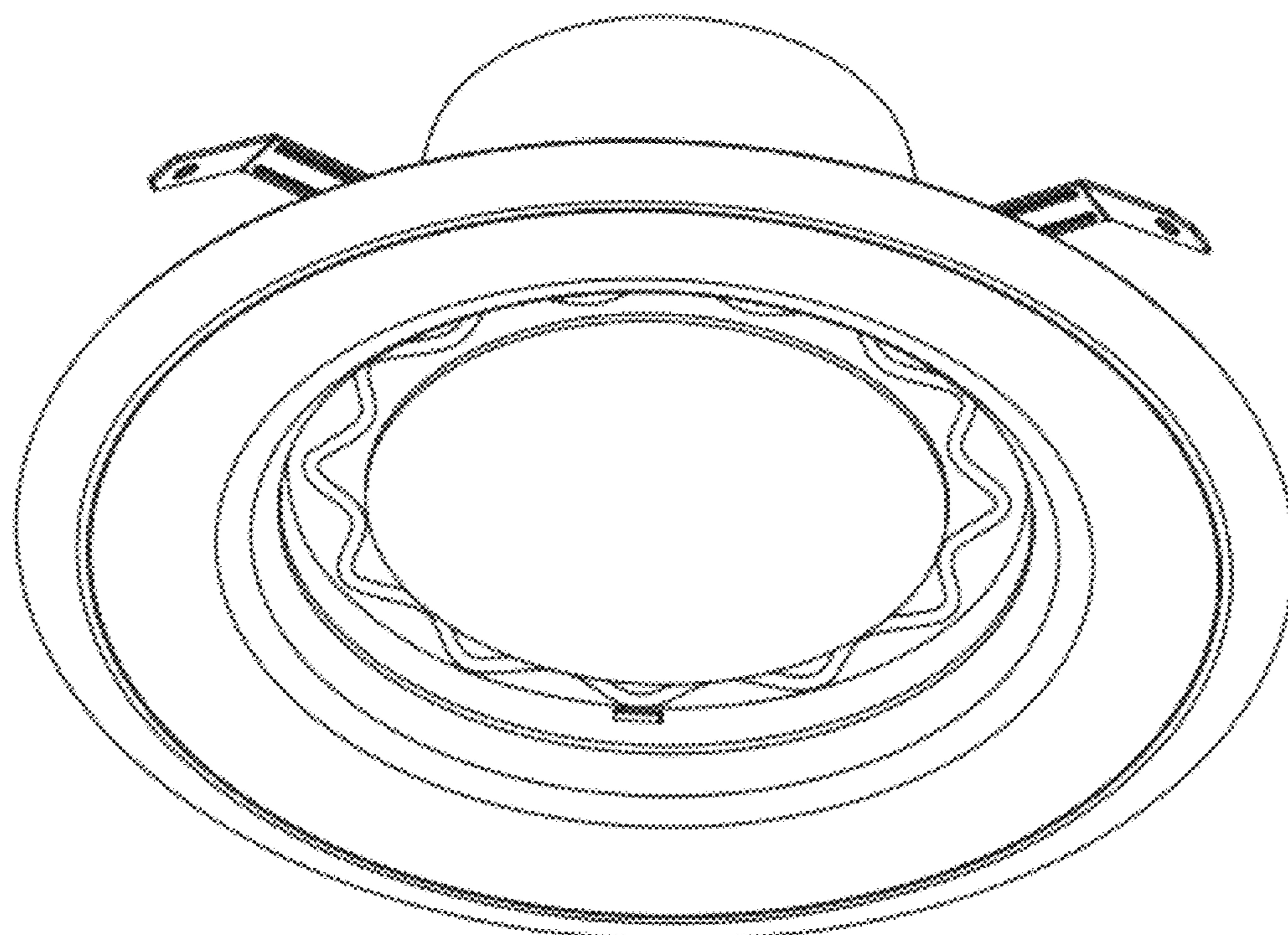
(57) **CLAIM**

The ornamental design for a “lighting fixture,” as shown and described.

DESCRIPTION

FIG. 1 is a perspective view showing my design;
FIG. 2 is a front elevational view thereof;
FIG. 3 is a rear elevational view thereof;
FIG. 4 is a right side elevational view thereof;
FIG. 5 is a left side elevational view thereof;
FIG. 6 is a top plan view thereof;
FIG. 7 is a bottom plan view thereof; and,
FIG. 8 is a top perspective view thereof.

1 Claim, 4 Drawing Sheets



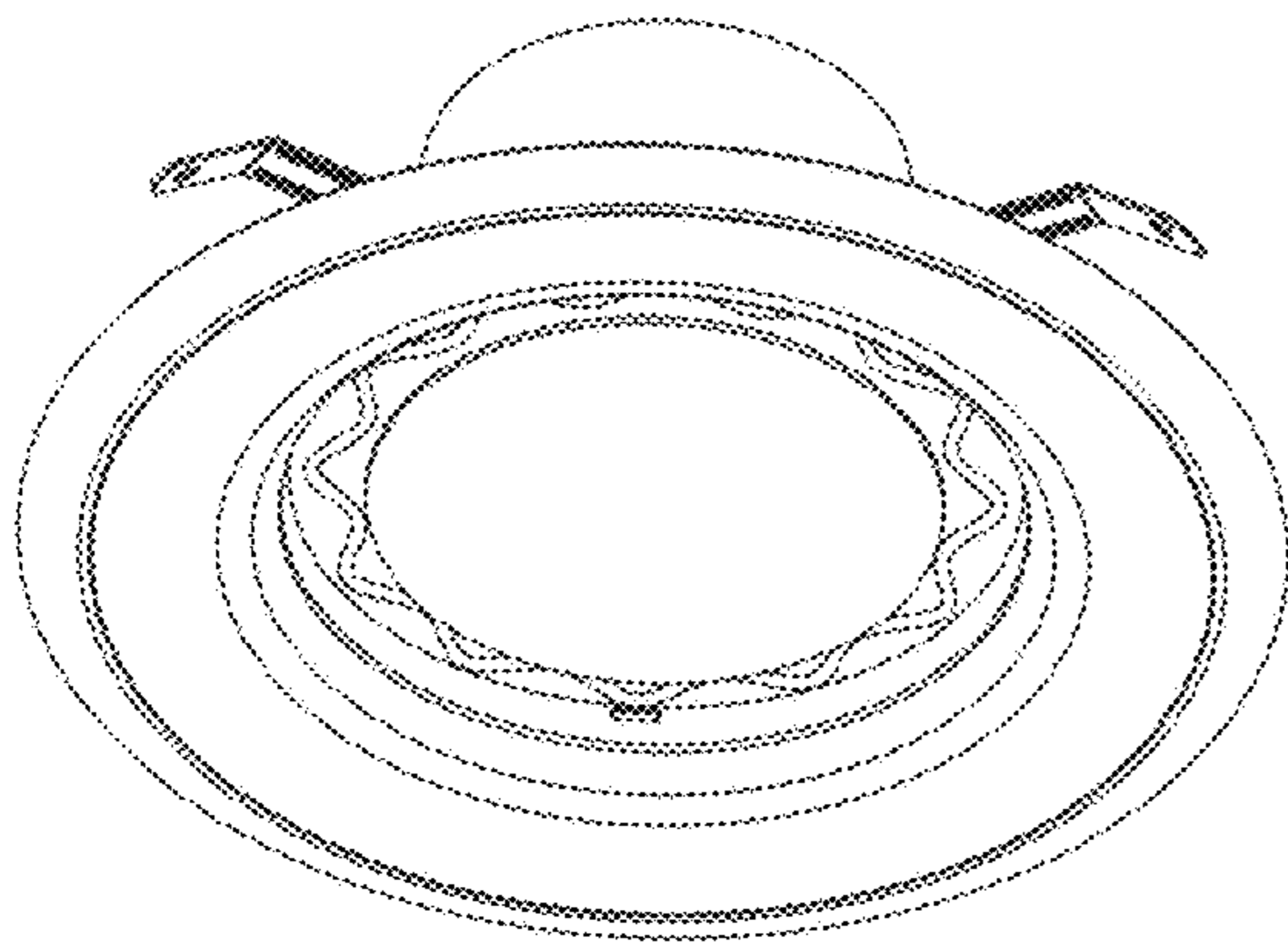


Fig. 1

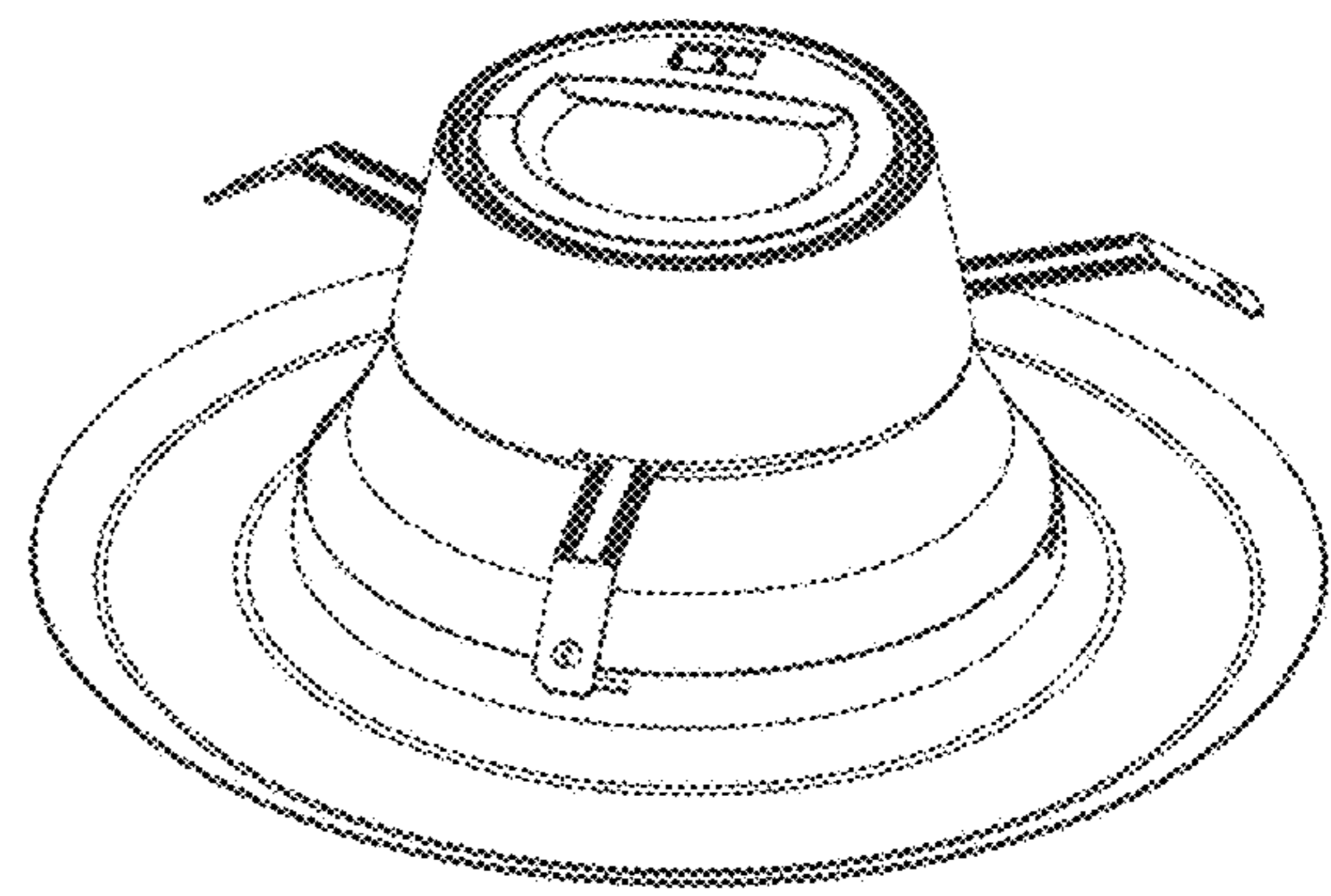


Fig. 8



Fig. 2

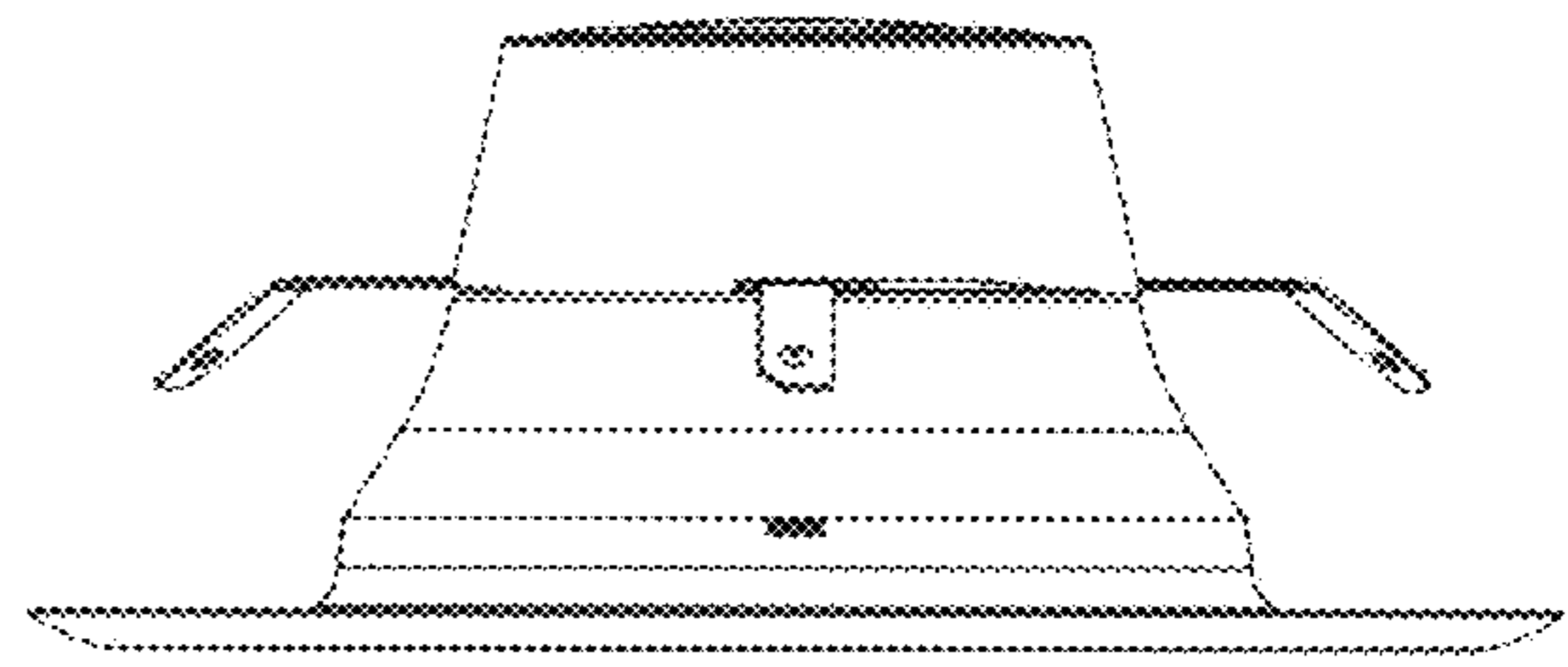


Fig. 3

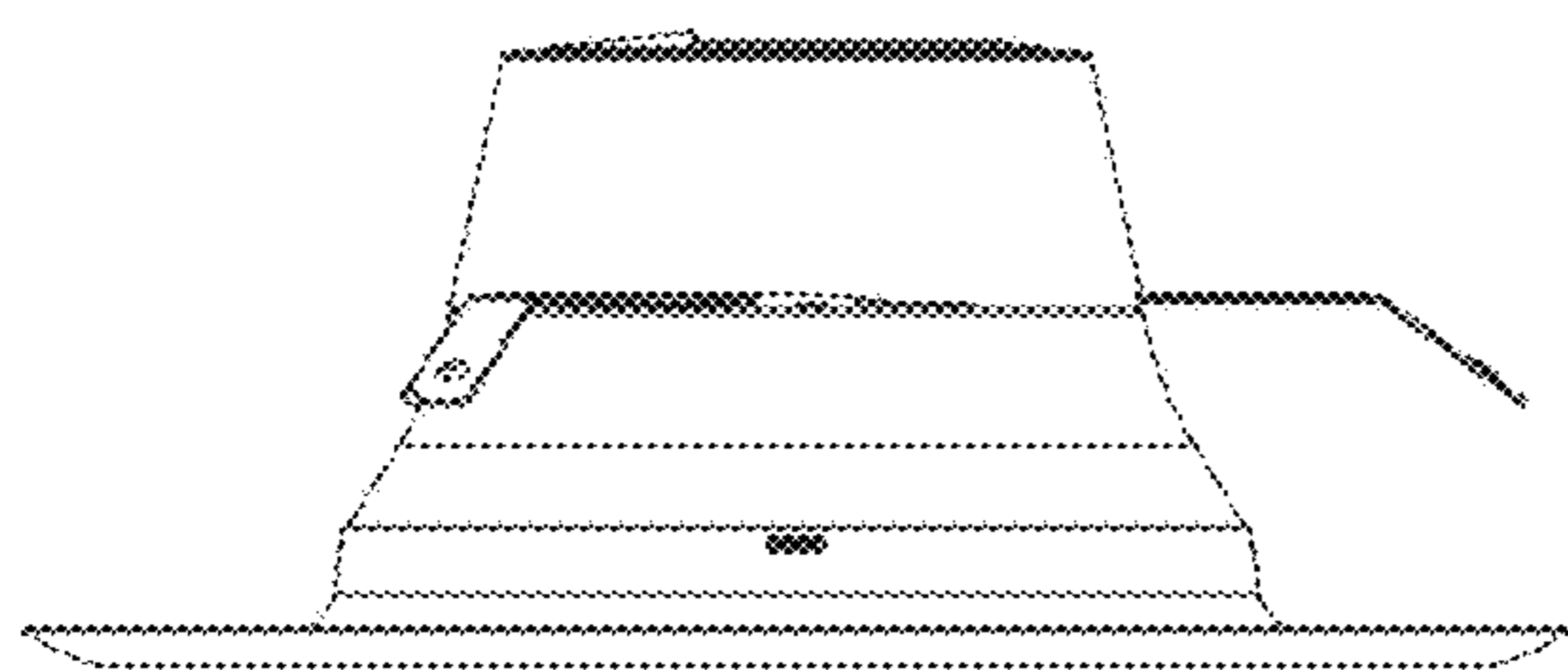


Fig. 4

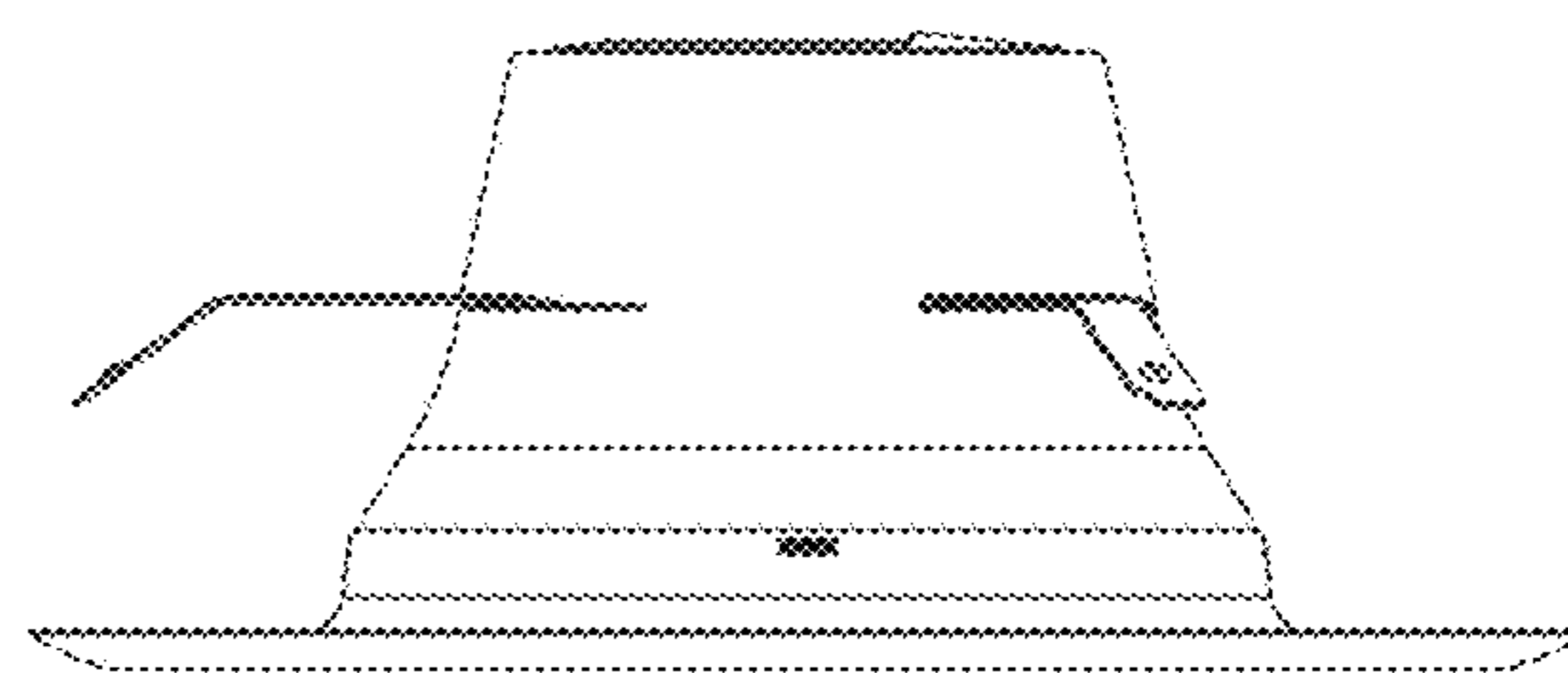


Fig. 5

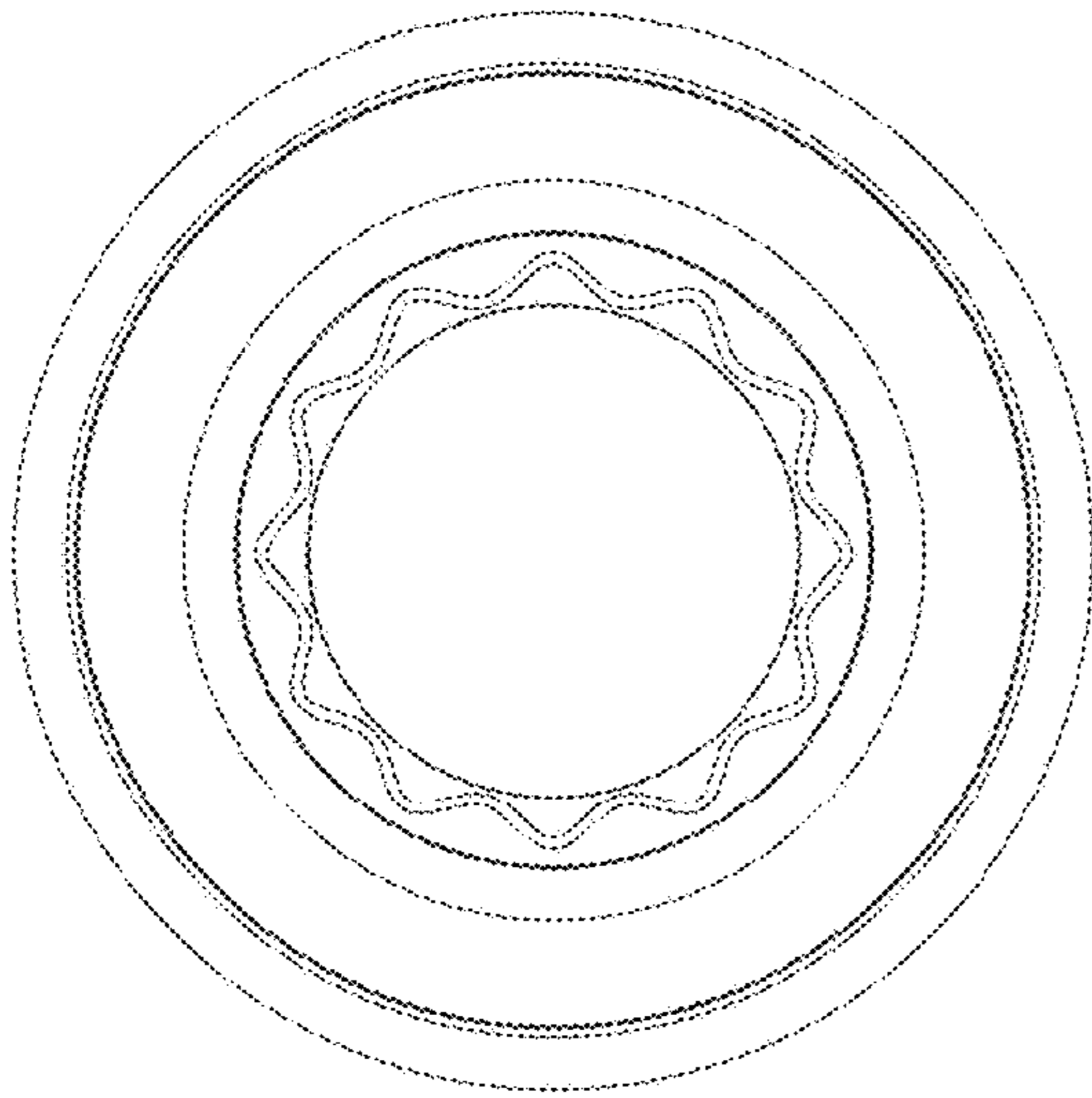


Fig. 7

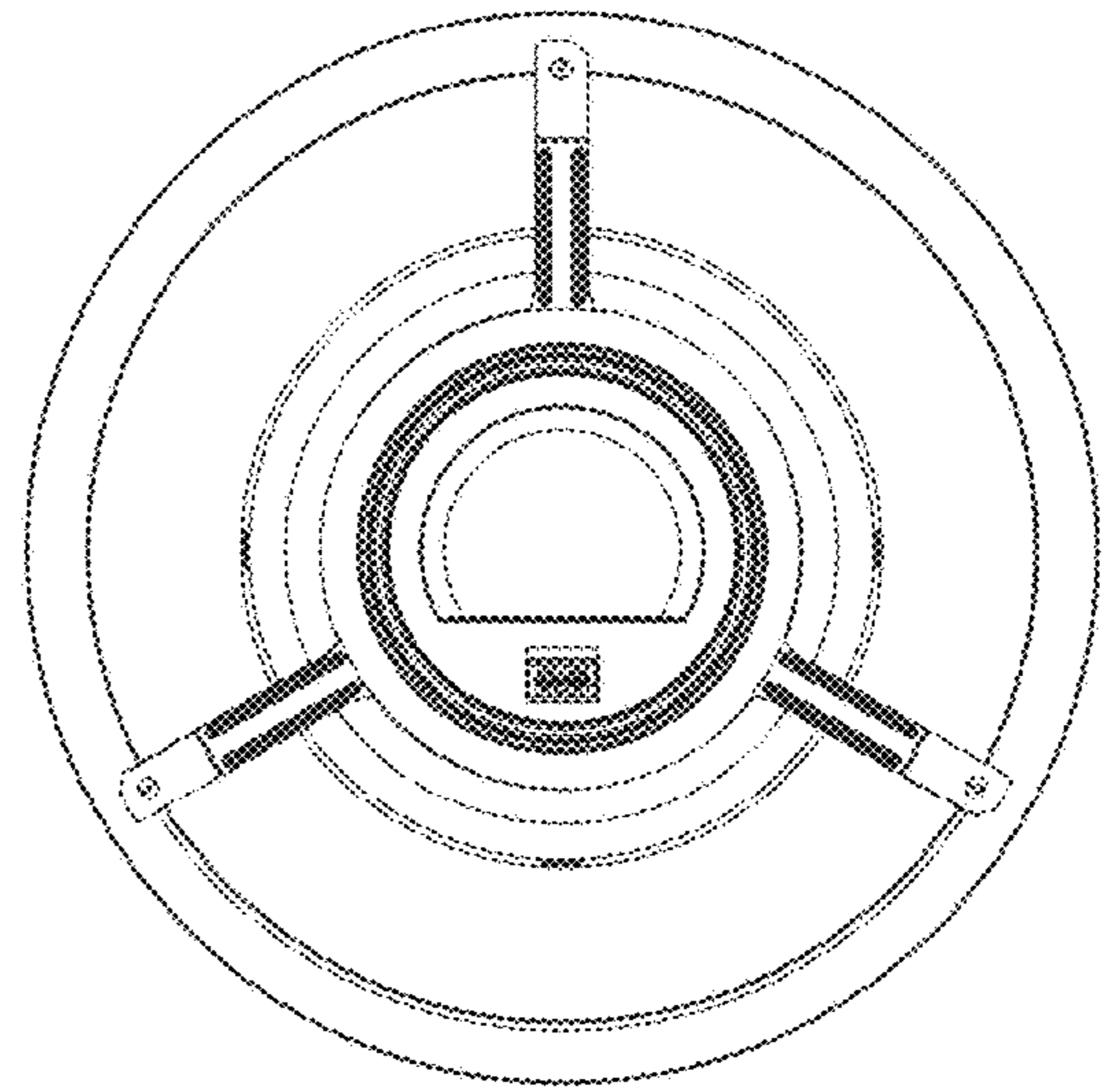


Fig. 6