



US00D940941S

(12) **United States Design Patent**  
**Wu**

(10) **Patent No.:** **US D940,941 S**  
(45) **Date of Patent:** **\*\* Jan. 11, 2022**

(54) **SOLAR LAMP**

(71) Applicant: **Pilin Wu**, Hubei (CN)

(72) Inventor: **Pilin Wu**, Hubei (CN)

(\*\*) Term: **15 Years**

(21) Appl. No.: **29/744,966**

(22) Filed: **Aug. 3, 2020**

(51) **LOC (13) Cl.** ..... **26-05**

(52) **U.S. Cl.**  
USPC ..... **D26/72**

(58) **Field of Classification Search**

USPC ..... D26/72, 80, 85; D10/106.6, 106.8  
CPC .... F21S 8/03; F21S 8/033; F21S 8/036; F21S  
8/037; F21S 9/022; F21S 9/024; F21S  
9/03; F21S 9/035; F21S 9/037; F21W  
2131/107; G08B 13/193

See application file for complete search history.

(56) **References Cited**

**U.S. PATENT DOCUMENTS**

D791,994 S *	7/2017	Liu	.....	D26/72
D802,199 S *	11/2017	Zhuo	.....	D26/85
D805,236 S *	12/2017	Exley	.....	D26/85
D829,359 S *	9/2018	Zhang	.....	D26/85
D846,177 S *	4/2019	Wen	.....	D26/85
D875,991 S *	2/2020	Wan	.....	D26/85
D893,075 S *	8/2020	Kong	.....	D26/72
D921,954 S *	6/2021	Jiang	.....	D26/72
D923,854 S *	6/2021	Huang	.....	D26/85

**OTHER PUBLICATIONS**

SEZAC Solar Lights, ASIN: B07XJHND3T available from amazon.com Sep. 8, 2019. (Year: 2019).\*

Solpex 12 Pack Solar Step Lights, ASIN: B08H81Z1RW available from amazon.com Sep. 2, 2020. (Year: 2020).\*

\* cited by examiner

*Primary Examiner* — Clare E Heflin

(57) **CLAIM**

The ornamental design for a solar lamp, as shown and described.

**DESCRIPTION**

FIG. 1 is a perspective view of a solar lamp showing my new design;

FIG. 2 is a bottom plan view thereof;

FIG. 3 is a top plan view thereof;

FIG. 4 is a left side elevational view thereof;

FIG. 5 is a right side elevational view thereof;

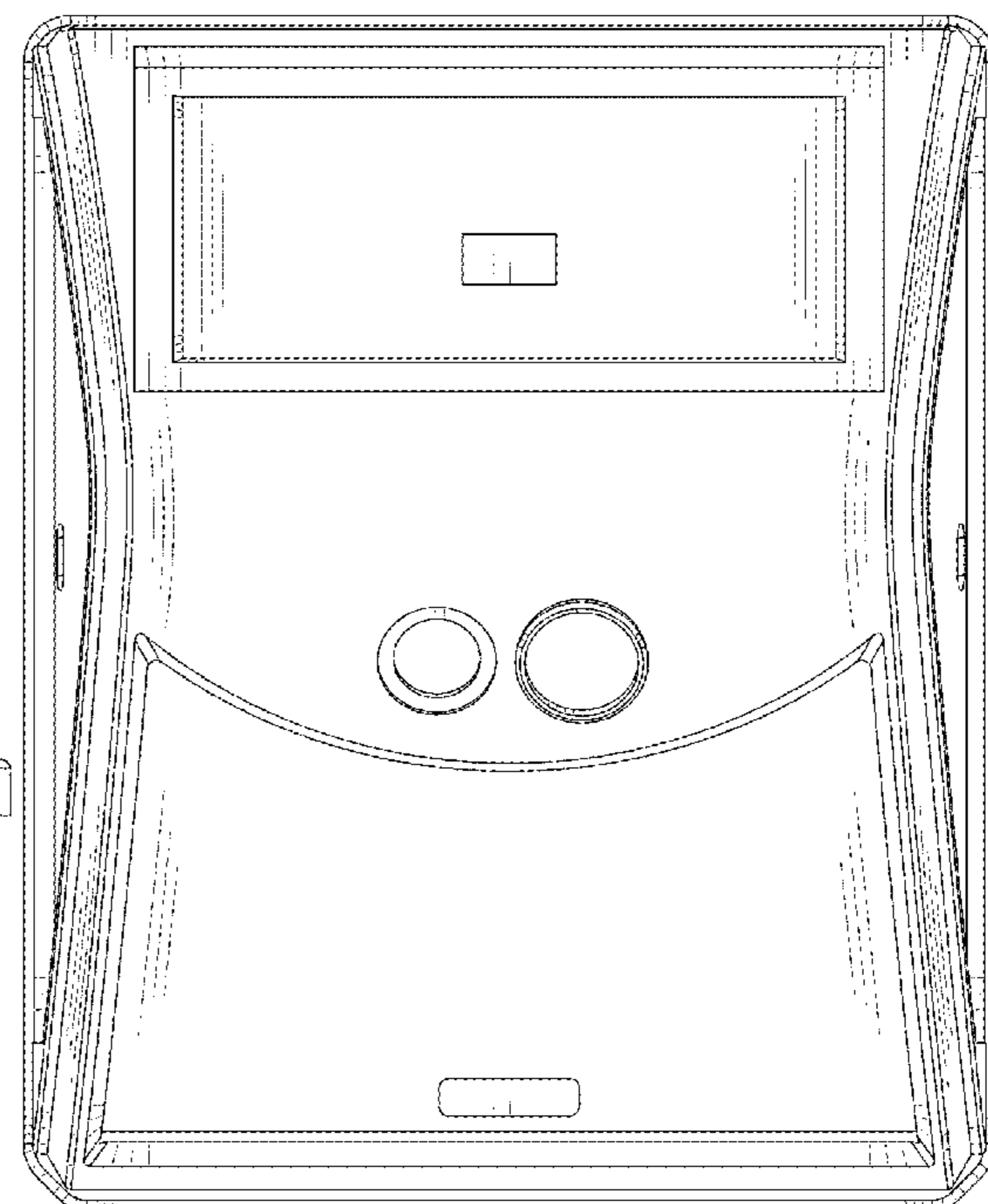
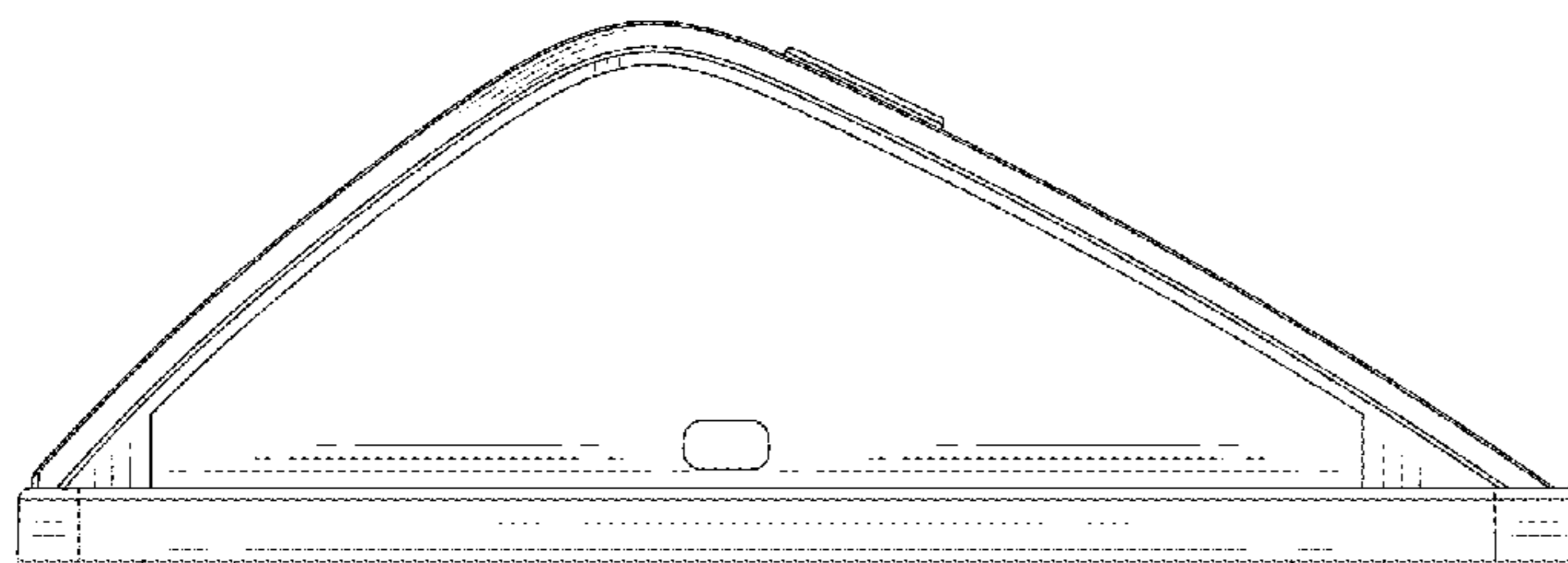
FIG. 6 is a front elevational view thereof;

FIG. 7 is a rear elevational view thereof; and,

FIG. 8 is another perspective view thereof.

The broken lines shown on the drawings are for the purpose of illustrating portions of the solar lamp that form no part of the claimed design.

**1 Claim, 8 Drawing Sheets**



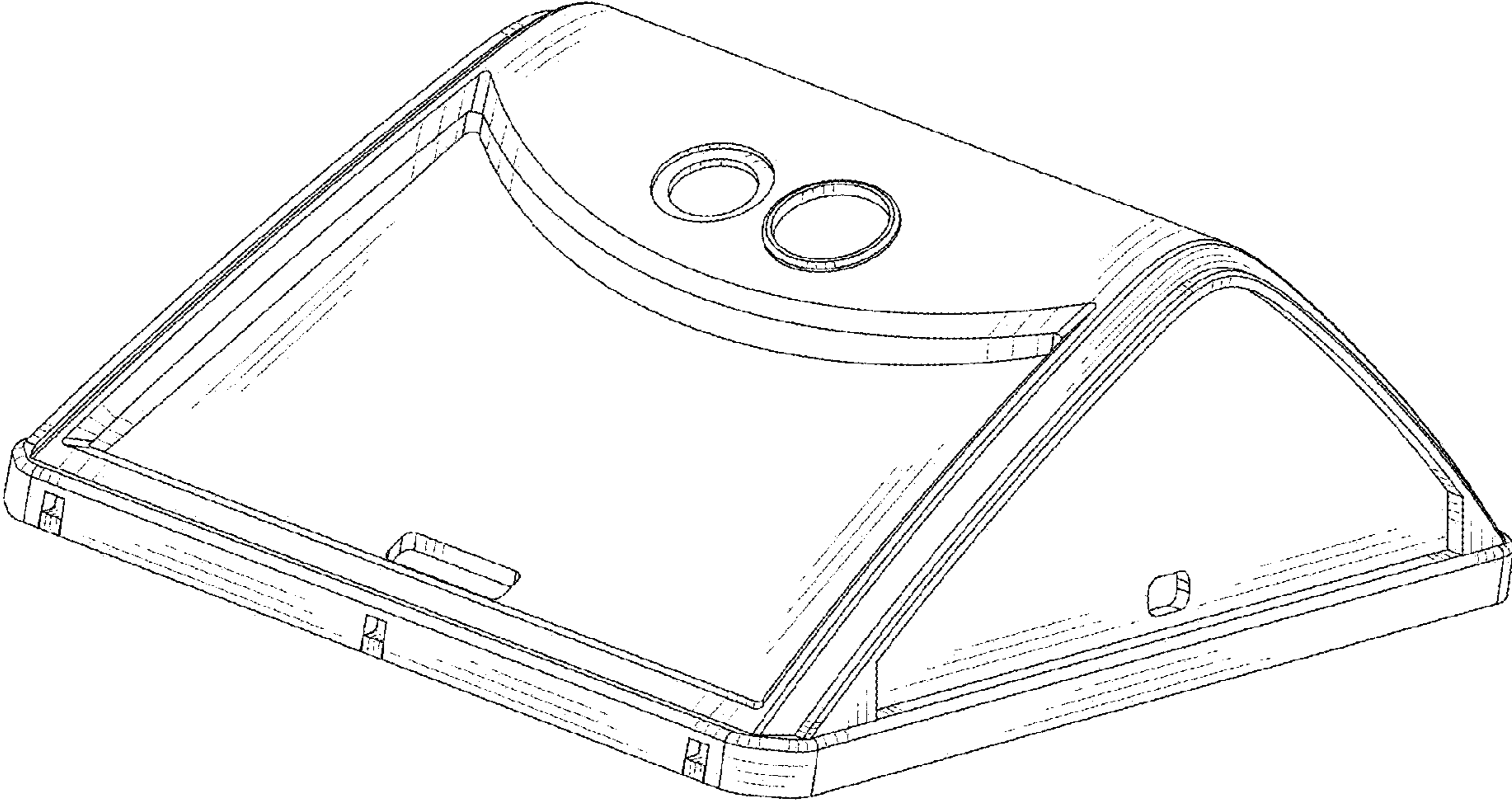


FIG.1

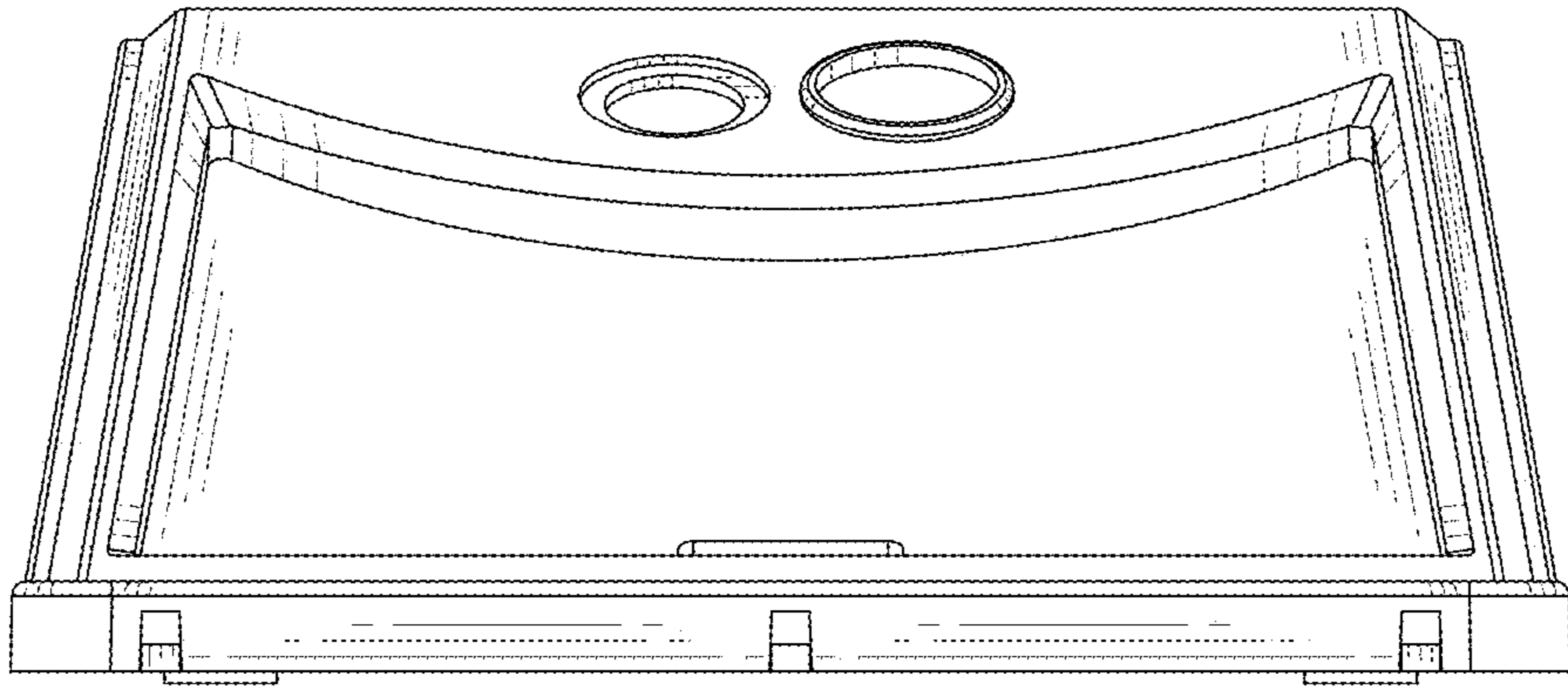


FIG.2

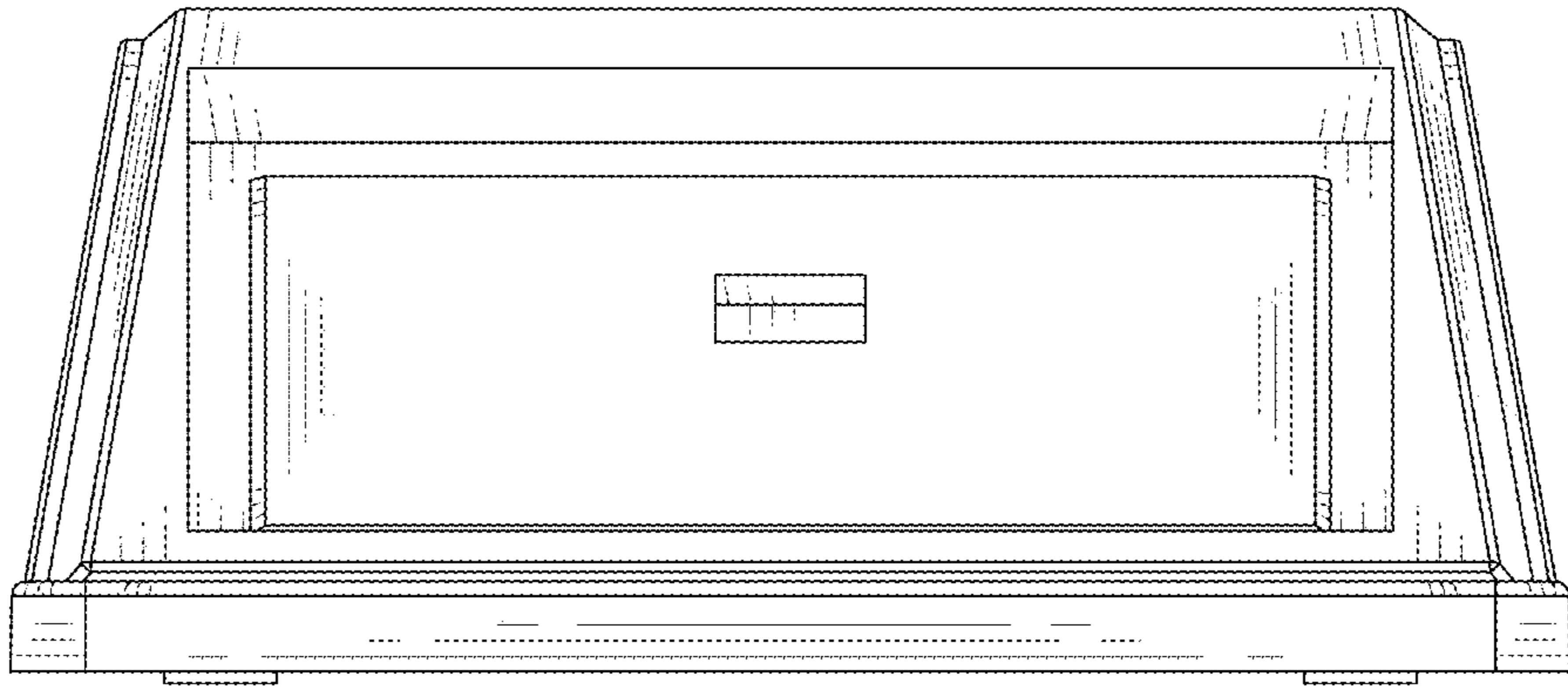


FIG.3

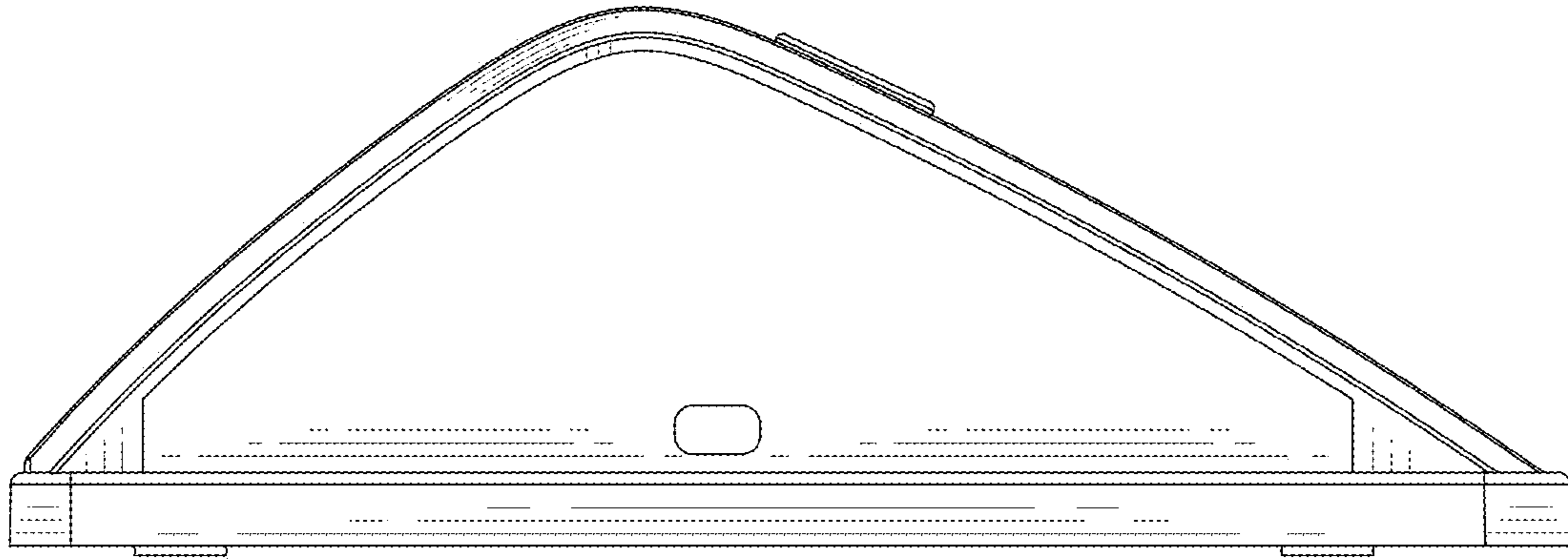


FIG.4

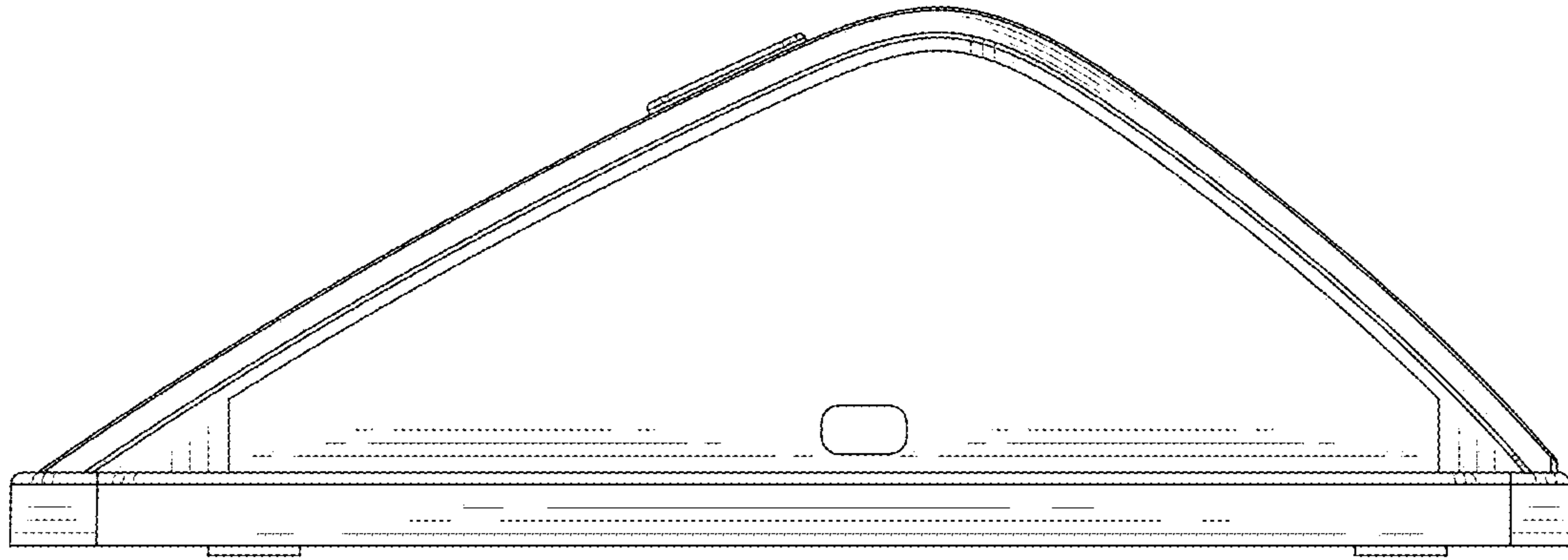


FIG.5

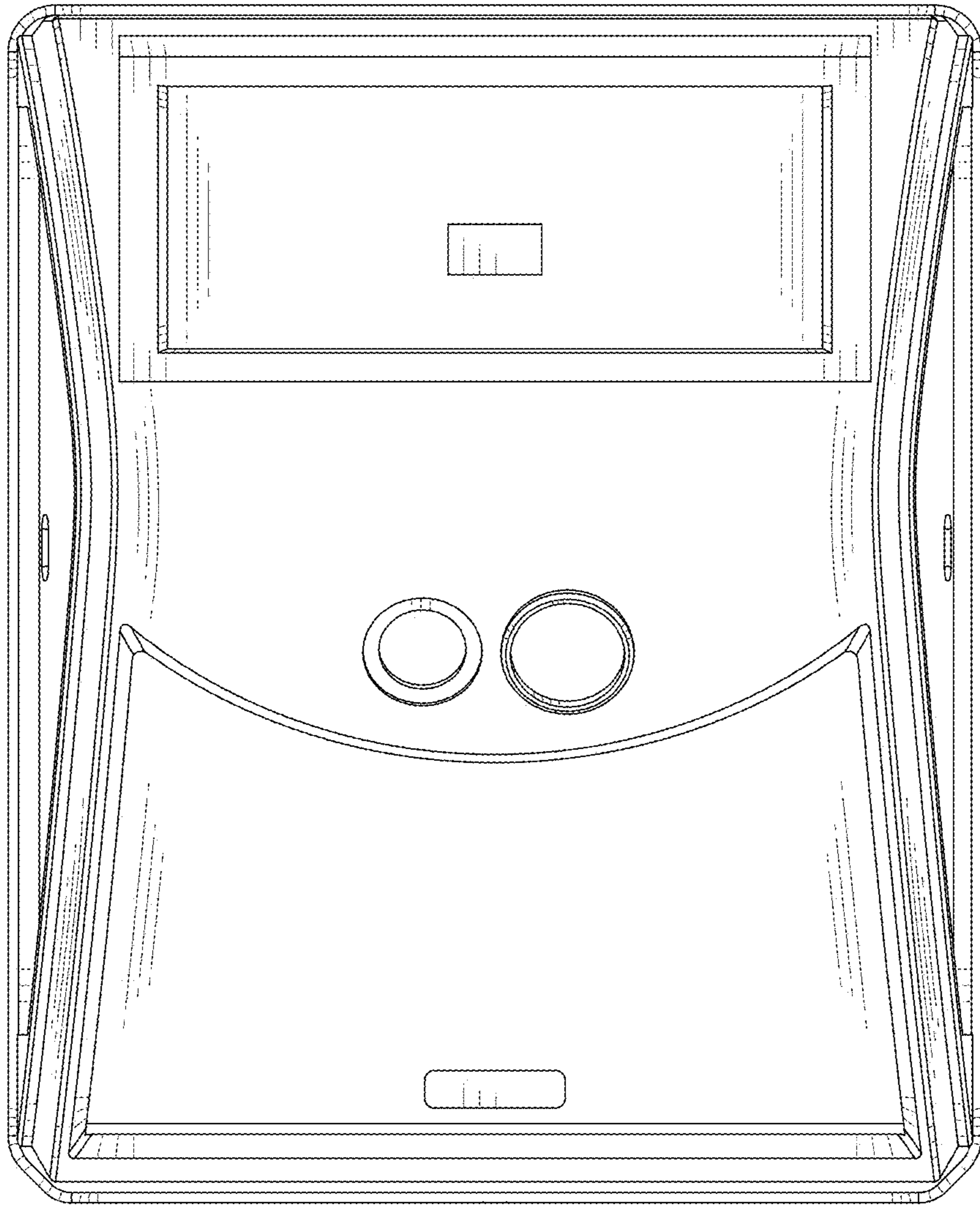


FIG.6

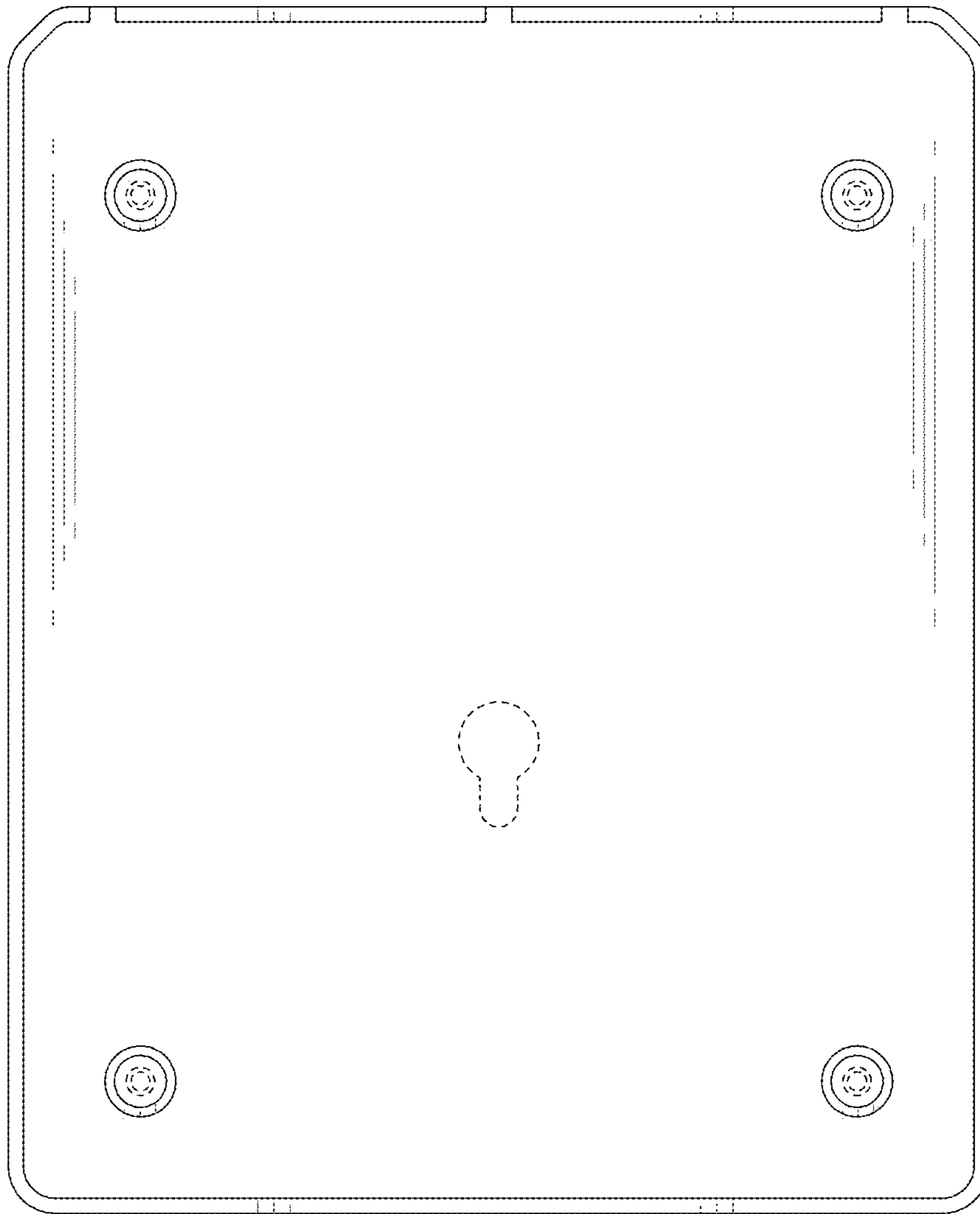


FIG.7



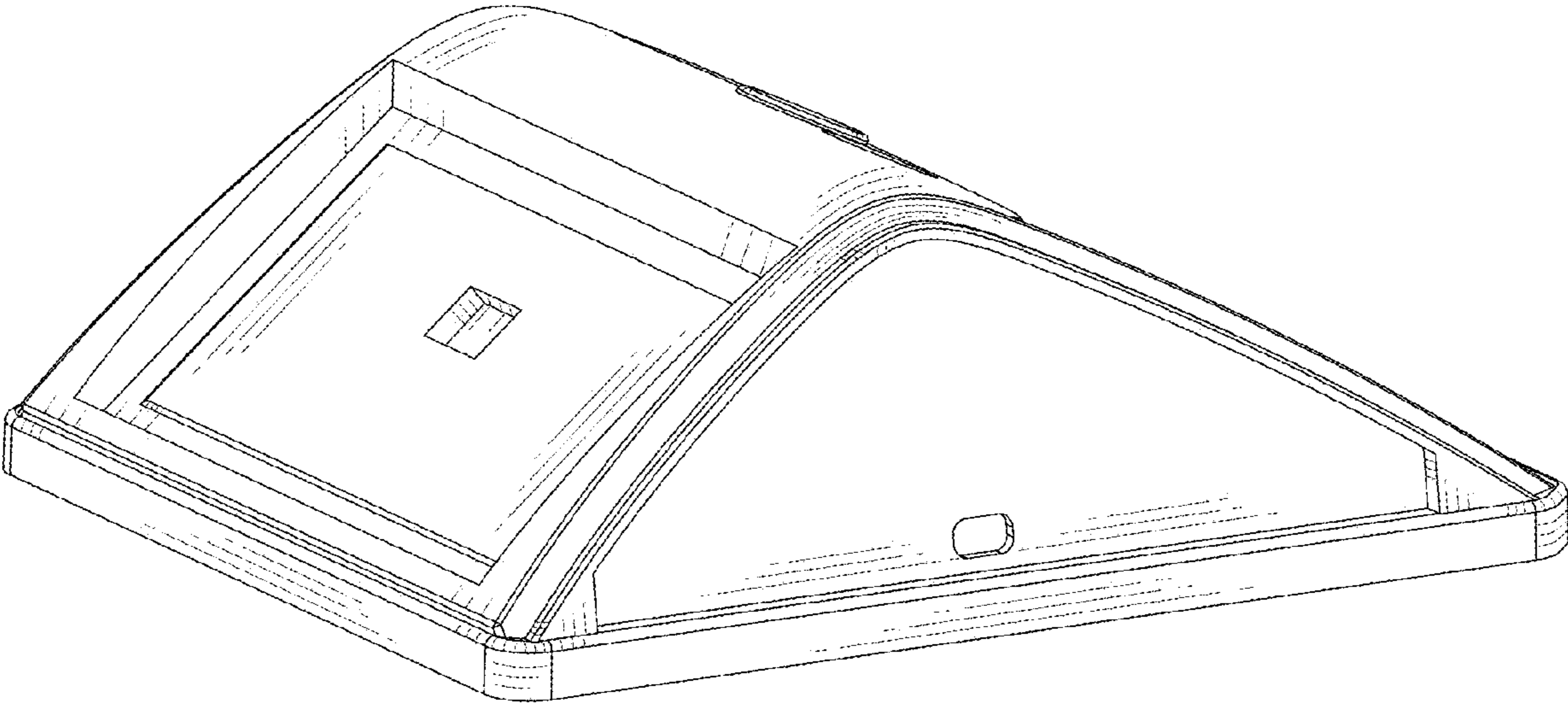


FIG.8