



US00D940940S

(12) **United States Design Patent**
Wu

(10) **Patent No.:** **US D940,940 S**
(45) **Date of Patent:** **** Jan. 11, 2022**

(54) **SOLAR LAMP**

(71) Applicant: **Pilin Wu**, Hubei (CN)

(72) Inventor: **Pilin Wu**, Hubei (CN)

(**) Term: **15 Years**

(21) Appl. No.: **29/744,965**

(22) Filed: **Aug. 3, 2020**

(51) **LOC (13) Cl.** **26-05**

(52) **U.S. Cl.**
USPC **D26/72**

(58) **Field of Classification Search**

USPC D26/72, 80, 85; D10/106.6, 106.8
CPC F21S 8/03; F21S 8/033; F21S 8/036; F21S
8/037; F21S 9/022; F21S 9/024; F21S
9/03; F21S 9/035; F21S 9/037; F21W
2131/107; G08B 13/193

See application file for complete search history.

(56) **References Cited**

U.S. PATENT DOCUMENTS

4,939,359	A *	7/1990	Freeman	G01V 8/10 250/221
D835,323	S *	12/2018	Fogg	D26/85
D841,865	S *	2/2019	Deng	D26/85
D844,213	S *	3/2019	Liu	D26/85
D850,701	S *	6/2019	Zhuo	D26/85
D853,013	S *	7/2019	Zhuo	D26/85
D875,992	S *	2/2020	Khubani	D26/85
D890,402	S *	7/2020	Liu	D26/72
D893,075	S *	8/2020	Kong	D26/72
D896,428	S *	9/2020	Pan	D26/85

OTHER PUBLICATIONS

Awanber Solar Light, ASIN: B088PSWP7W, available from amazon.com May 16, 2020 (Year: 2020).*

260 LED Solar Power PIR Motion Sensor Wall Lights Outdoor Garden Path Yard Lamp, eBay item No. 274669732433 available from ebay.com, visited Oct. 18, 2021. (Year: 2021).*

Westinghouse 2-Pack 1000-Luman 60-Watt Black LED Motion Sensor Wall Pack Light available from lowes.com as early as Jun. 21, 2020. (Year: 2020).*

Heikki Solar Outdoor Lights, ASIN: B09175S34R available from amazon.com Mar. 27, 2021. (Year: 2021).*

* cited by examiner

Primary Examiner — Clare E Heflin

(57) **CLAIM**

The ornamental design for a solar lamp, as shown and described.

DESCRIPTION

FIG. 1 is a perspective view of a solar lamp showing my new design;

FIG. 2 is a bottom plan view thereof;

FIG. 3 is a top plan view thereof;

FIG. 4 is a left side elevational view thereof;

FIG. 5 is a right side elevational view thereof;

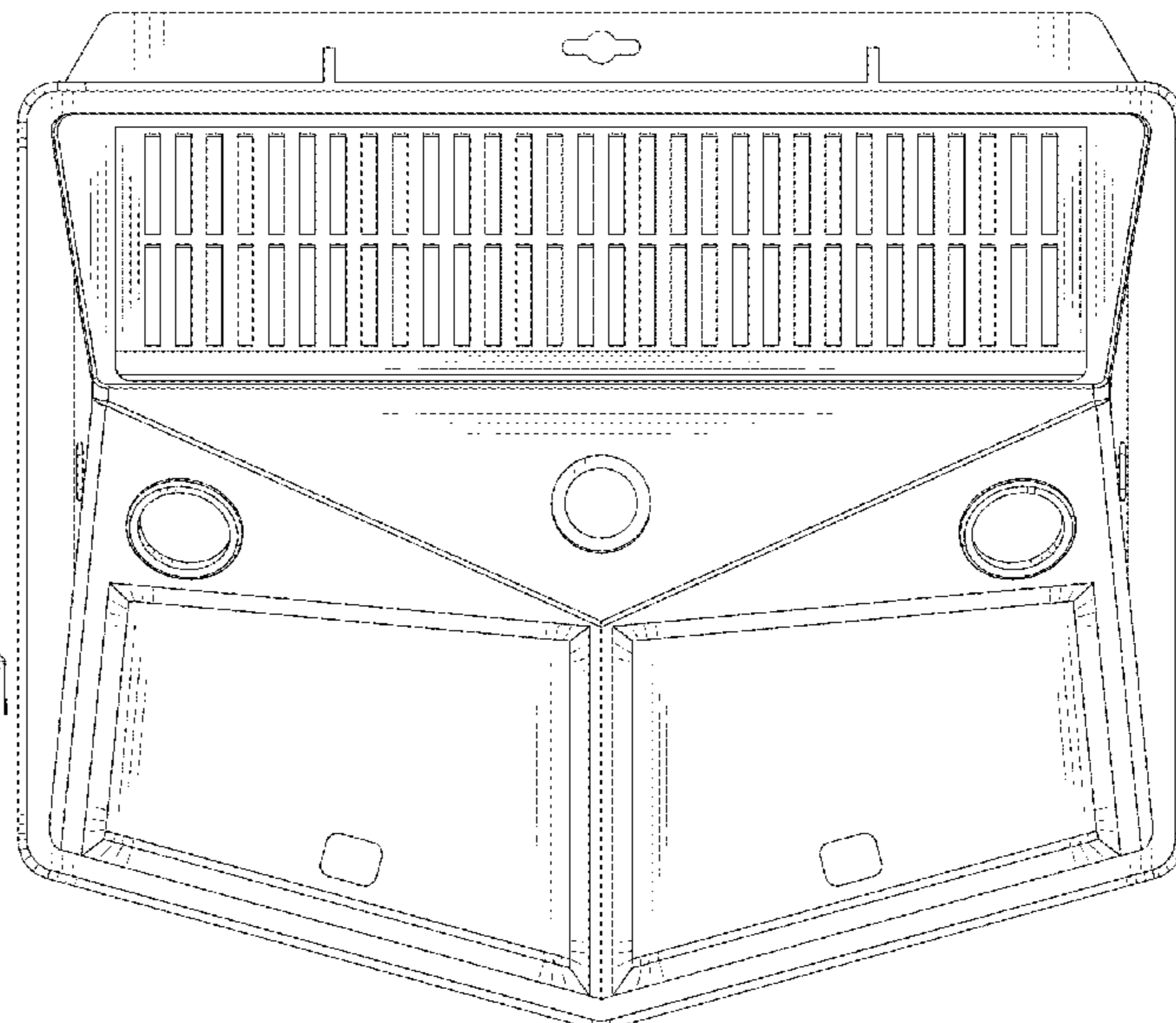
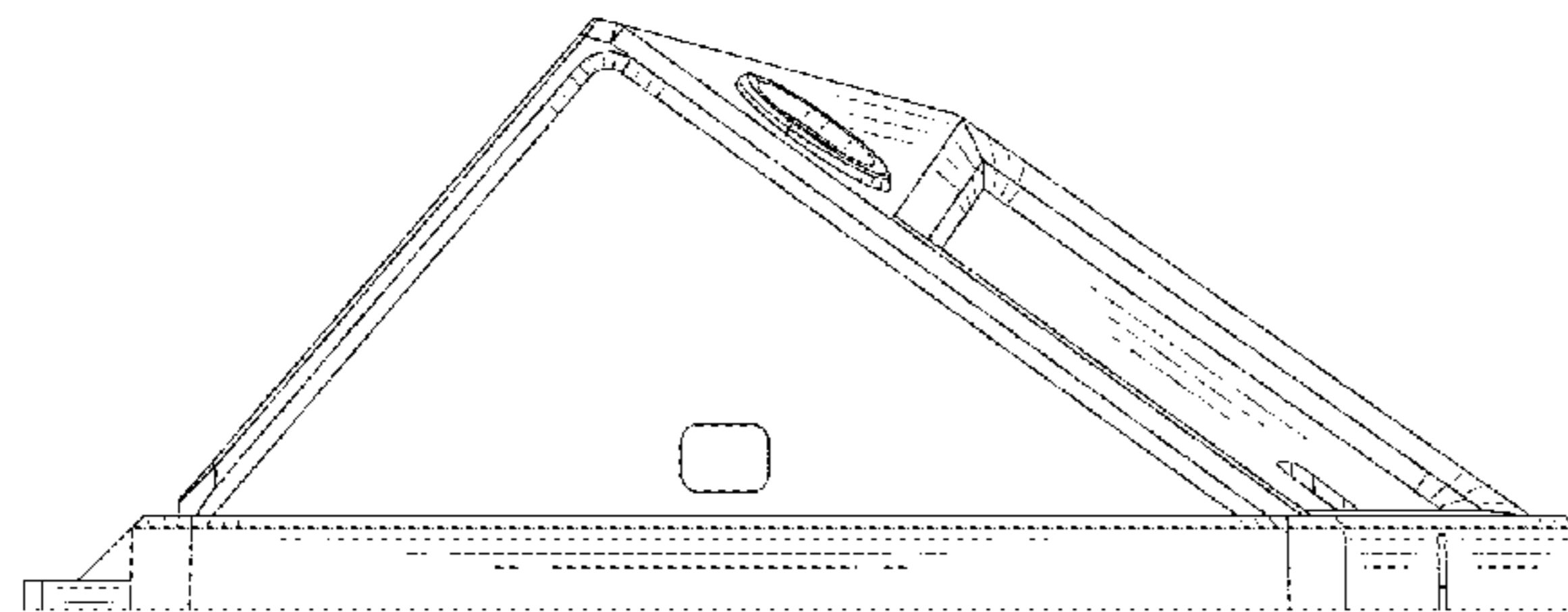
FIG. 6 is a front elevational view thereof;

FIG. 7 is a rear elevational view thereof; and,

FIG. 8 is another perspective view thereof.

The broken lines shown on the drawings are for the purpose of illustrating portions of the solar lamp that form no part of the claimed design.

1 Claim, 8 Drawing Sheets



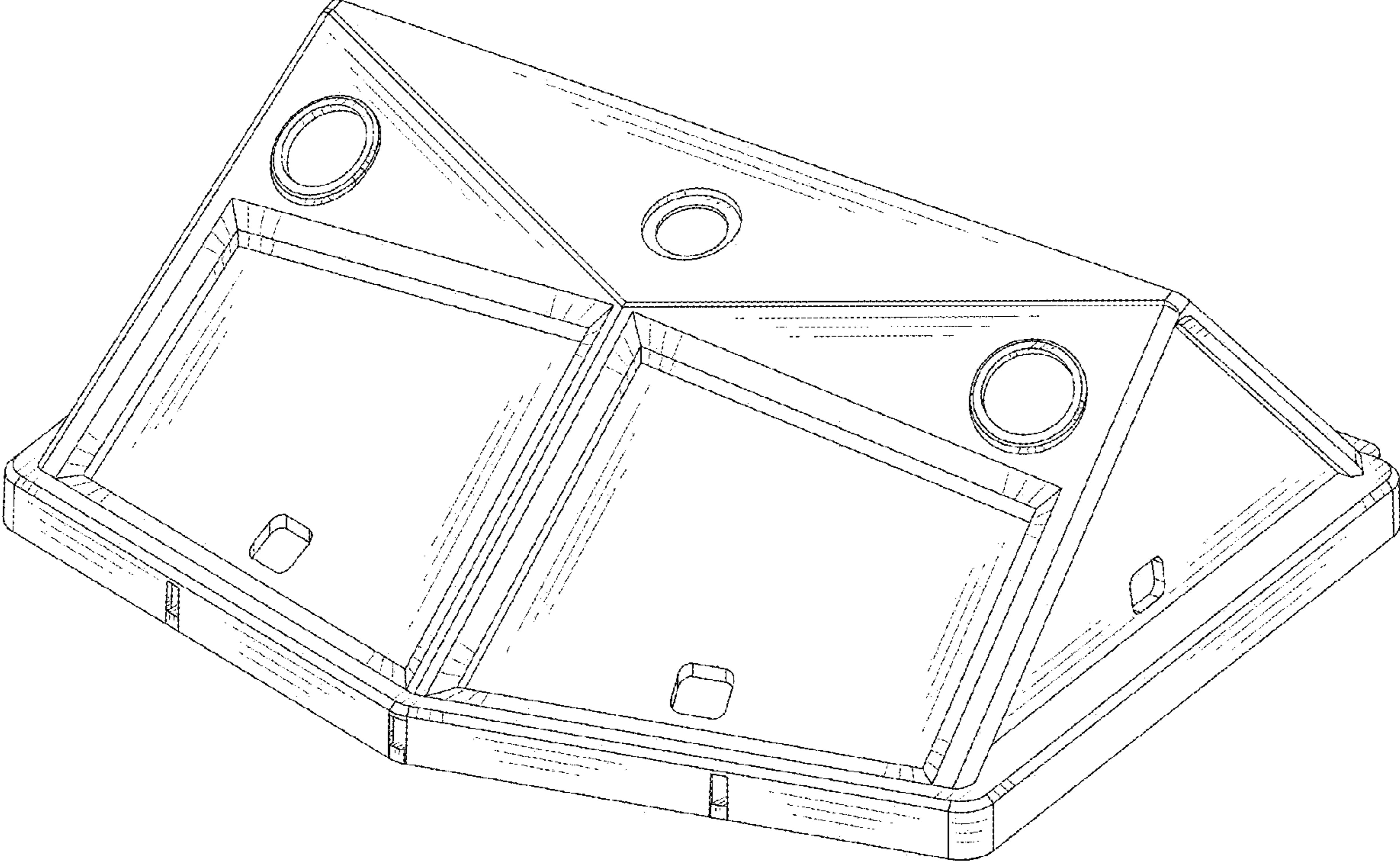


FIG.1

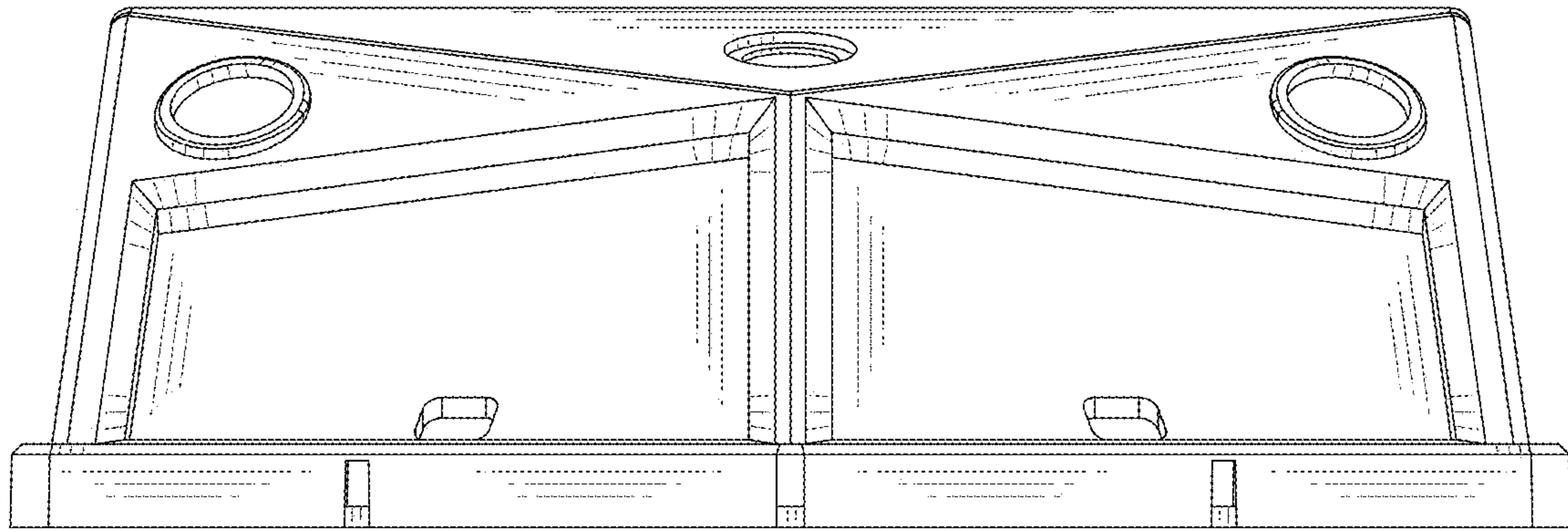


FIG.2

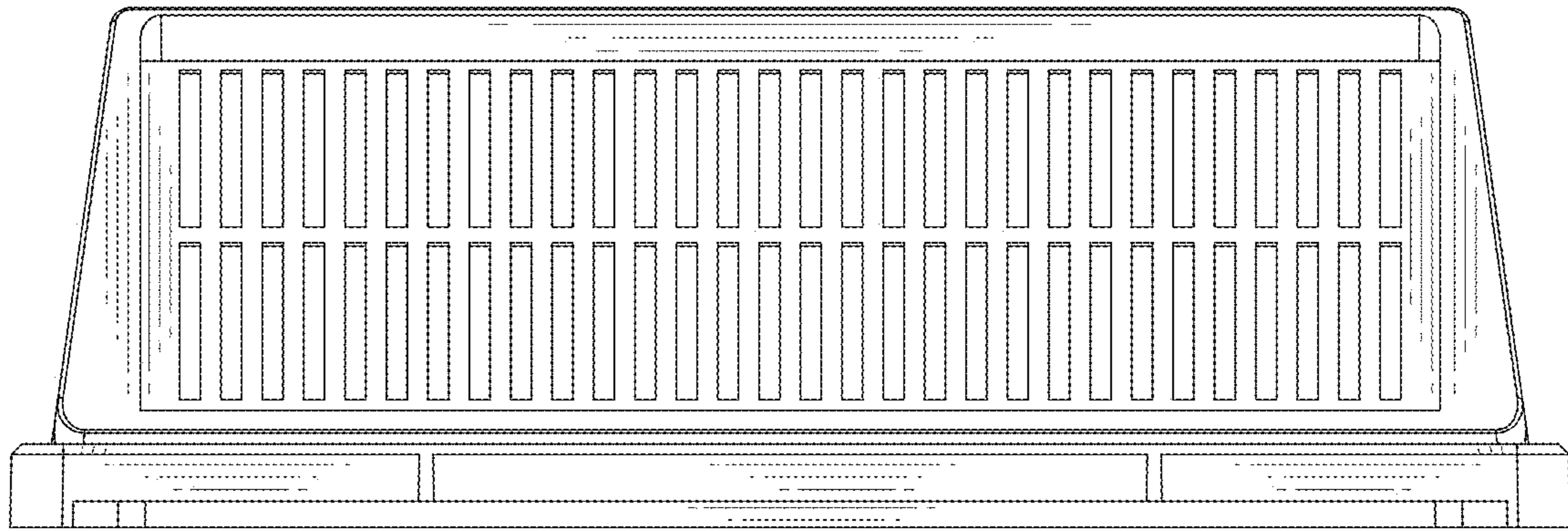


FIG.3

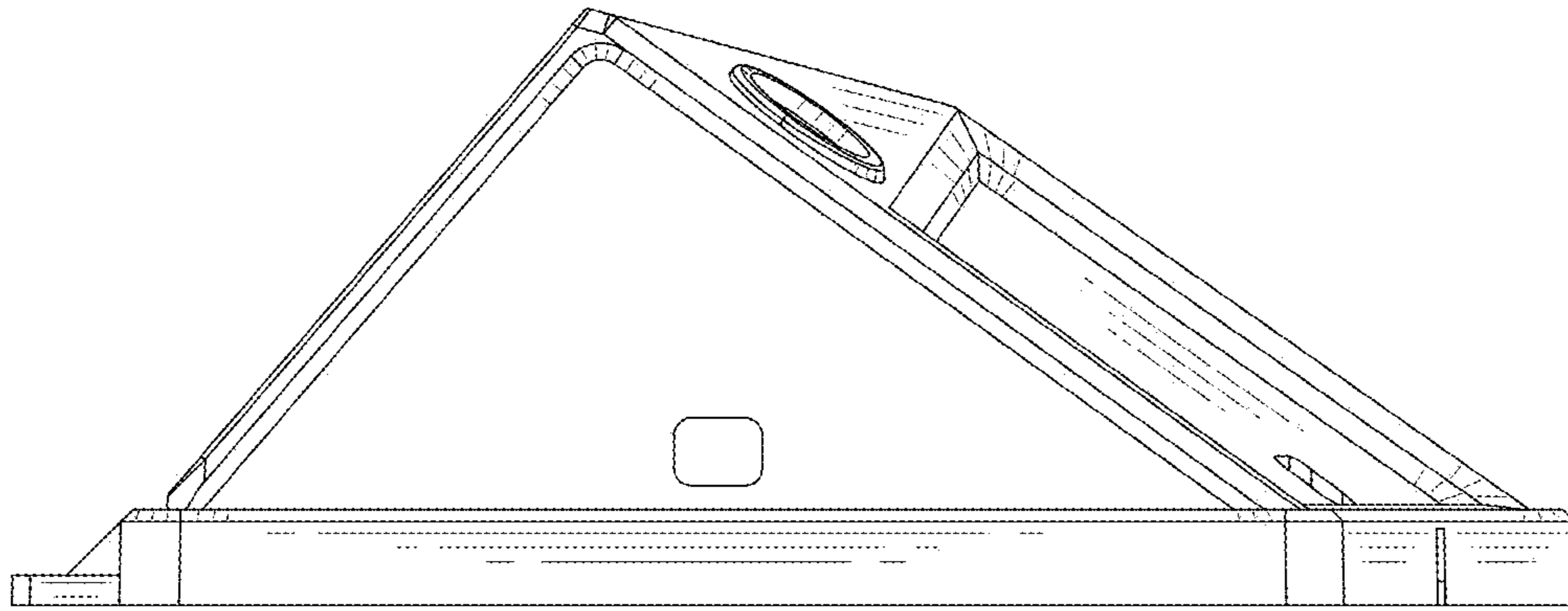


FIG.4

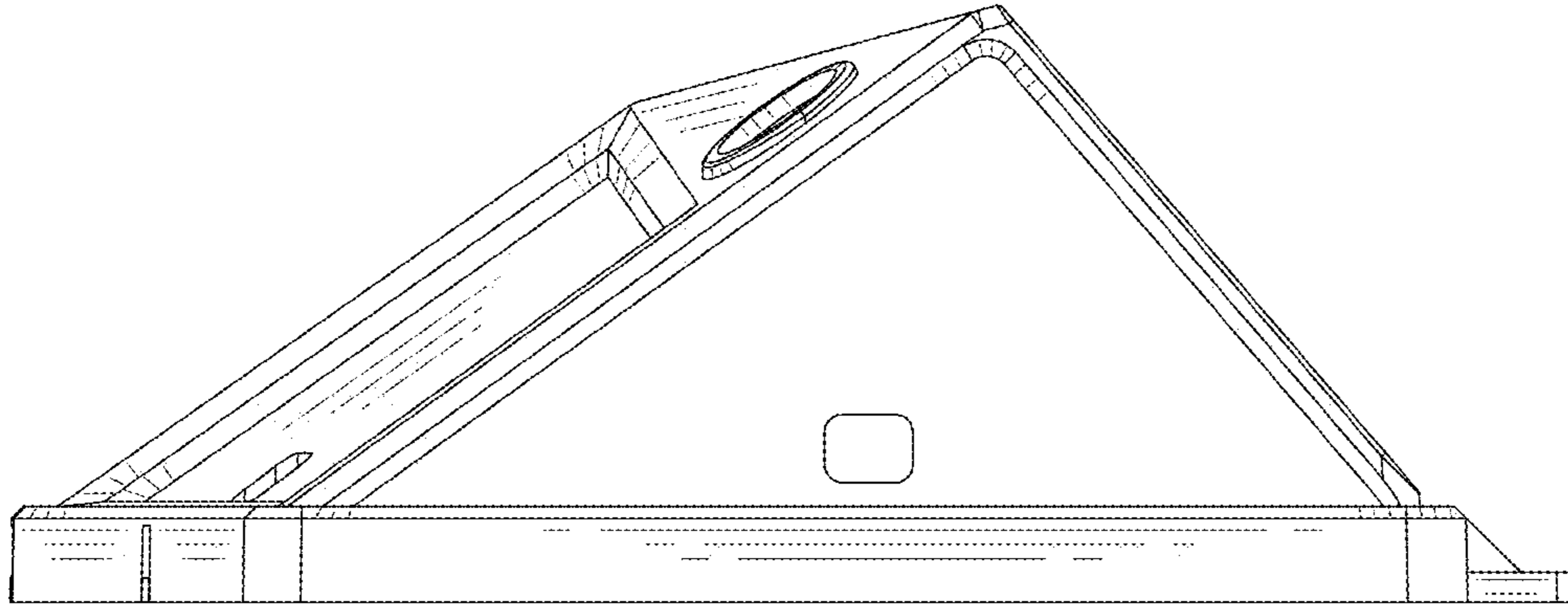


FIG.5

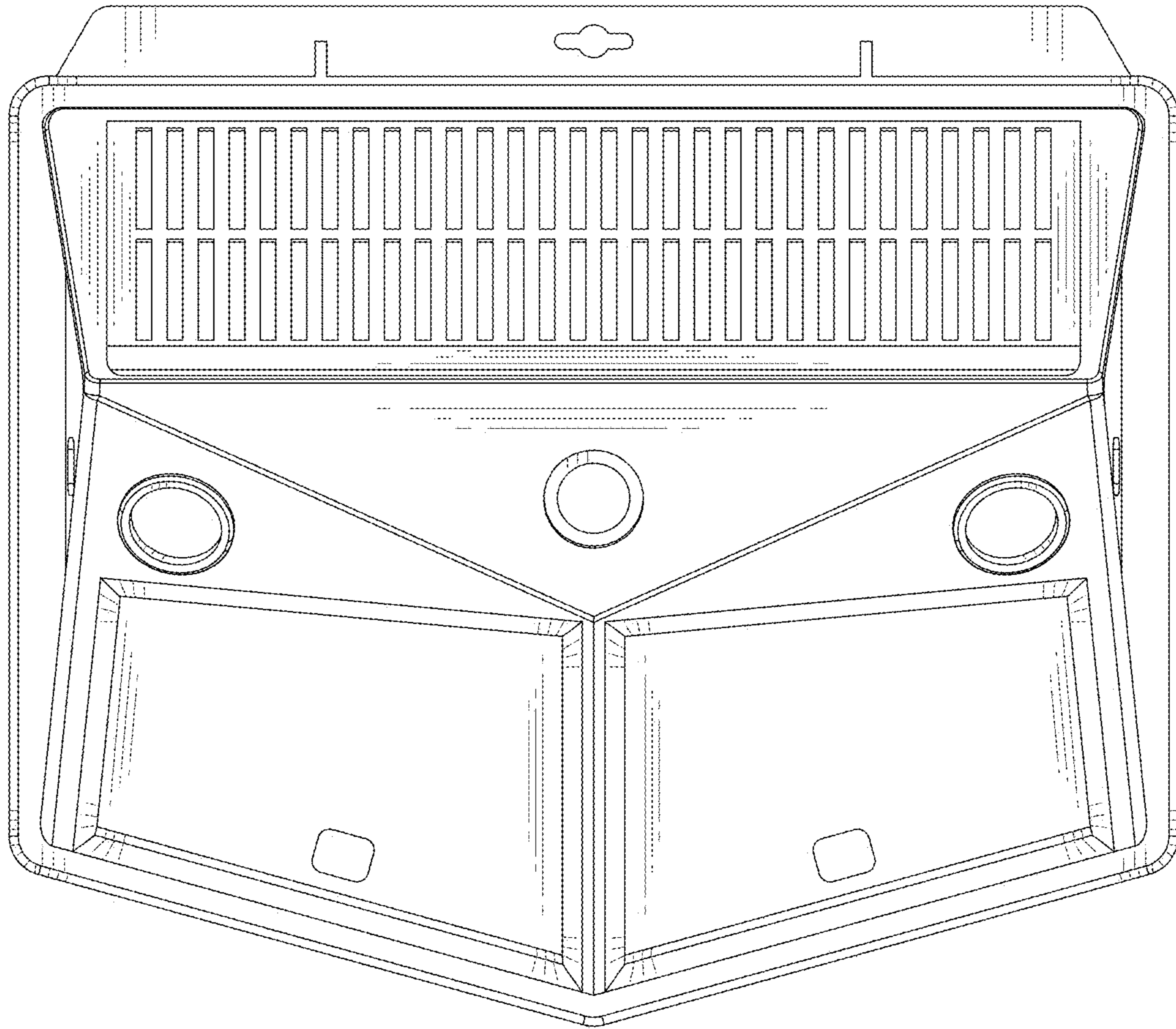


FIG.6

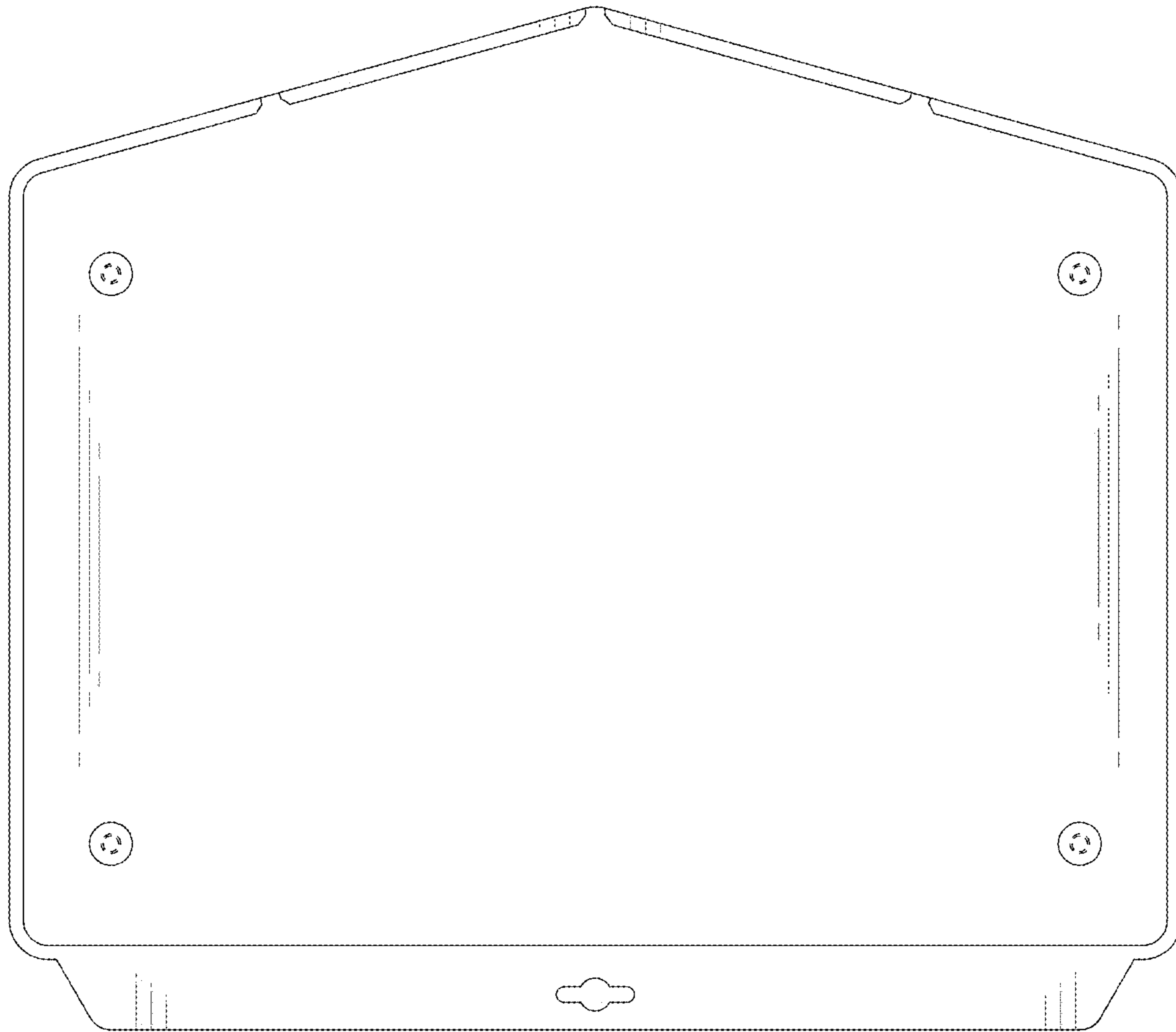


FIG.7

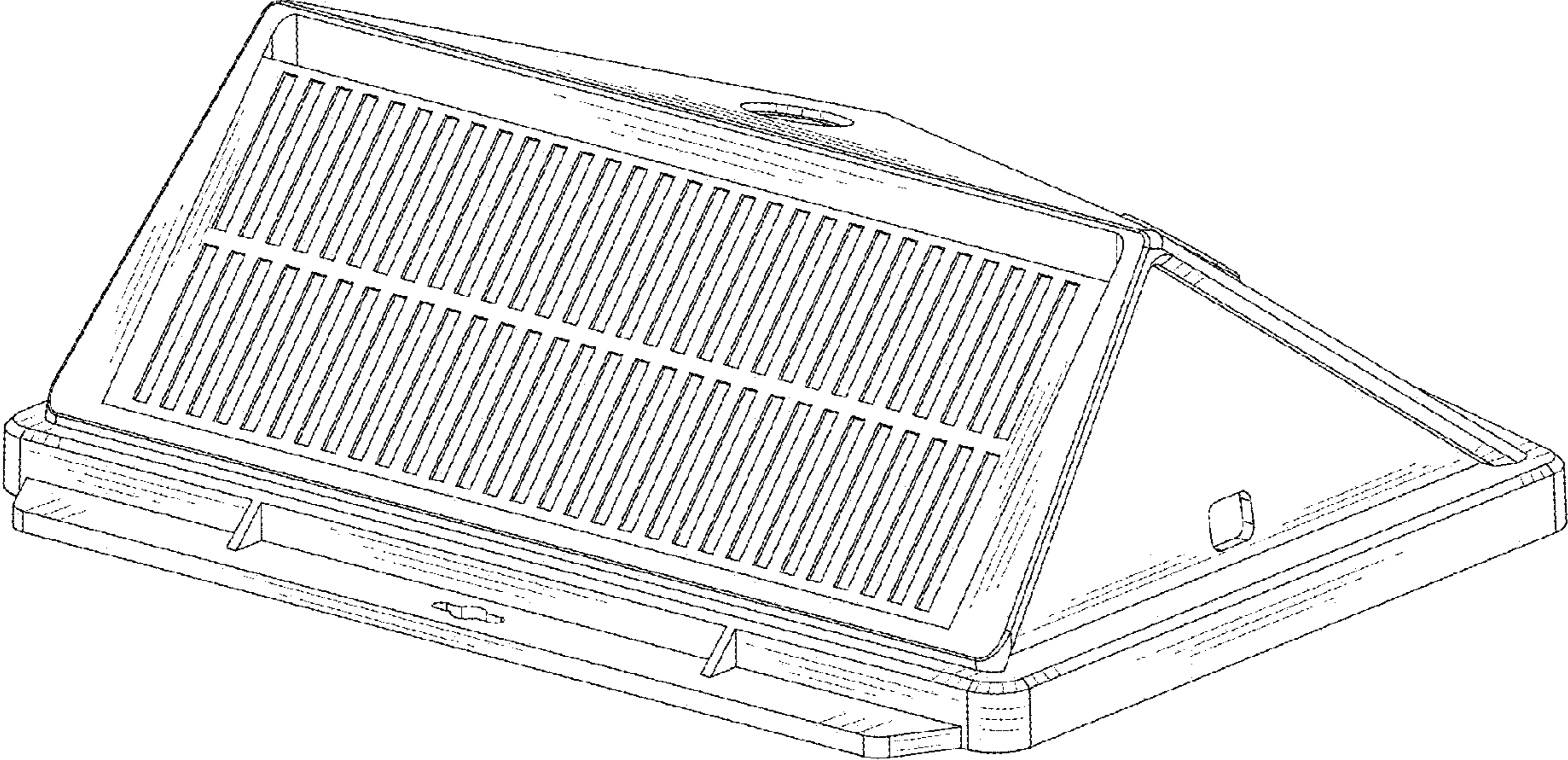


FIG.8