



US00D940939S

(12) **United States Design Patent** (10) **Patent No.:** **US D940,939 S**
Moghal (45) **Date of Patent:** **** Jan. 11, 2022**

(54) **HIGH MAST LUMINAIRE**
(71) Applicant: **SIGNIFY HOLDING B.V.**, Eindhoven (NL)
(72) Inventor: **Khurram Z. Moghal**, Senoia, GA (US)
(73) Assignee: **SIGNIFY HOLDING B.V.**, Eindhoven (NL)
(**) Term: **15 Years** (Continued)

2009/0323325 A1 12/2009 Long et al.
2012/0033419 A1 2/2012 Kim et al.
2013/0215605 A1 8/2013 Wu et al.
2013/0221846 A1 8/2013 Alexiou et al.
2014/0218941 A1* 8/2014 Wilcox F21S 8/033
362/373
2014/0268761 A1* 9/2014 Raleigh F21V 5/007
362/244
2015/0176823 A1 6/2015 Leshniak et al.
2016/0116135 A1* 4/2016 Wilcox F21V 5/04
362/308

(21) Appl. No.: **29/695,835**

OTHER PUBLICATIONS

(22) Filed: **Jun. 21, 2019**

320 Watt LED High Mast Lights, Part No. 45-105 from ledlightexpert.com, visited Sep. 2, 2021. (Year: 2021).*

(Continued)

Related U.S. Application Data

(63) Continuation of application No. 29/602,767, filed on May 3, 2017, now Pat. No. Des. 858,848.

(51) **LOC (13) Cl.** **26-05**

(52) **U.S. Cl.**
USPC **D26/72**; D26/1

(58) **Field of Classification Search**
USPC D26/1, 72, 80, 88, 89; D13/180
CPC F21W 2131/40; F21V 29/76; F21V 29/77;
F21V 29/777; F21V 29/78
See application file for complete search history.

Primary Examiner — Clare E Heflin

(74) *Attorney, Agent, or Firm* — Daniel J. Piotrowski

(57) **CLAIM**

The ornamental design for a high mast luminaire, as shown and described.

DESCRIPTION

FIG. 1 is a top perspective view of a high mast luminaire showing the new design;
FIG. 2 is a bottom perspective view thereof;
FIG. 3 is a top plan view thereof;
FIG. 4 is a bottom view thereof;
FIG. 5 is a left-side elevation view thereof;
FIG. 6 is a right-side elevation view thereof;
FIG. 7 is a front elevation view thereof; and,
FIG. 8 is a rear elevation view thereof.

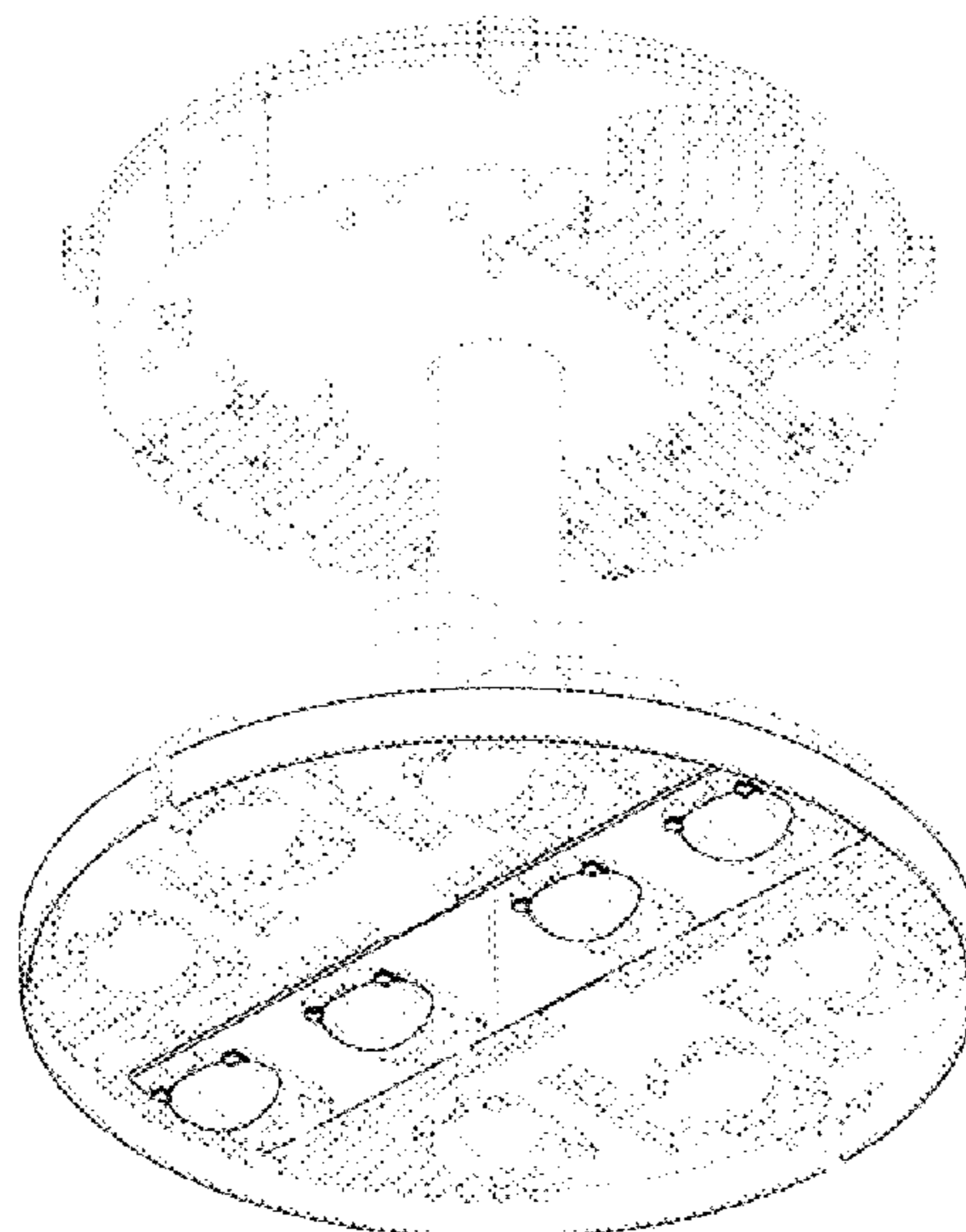
The broken lines shown represent portions of the high mast luminaire that form no part of the claimed design.
The area between the pair of curved dashed lines forms no part of the claimed design.

(56) **References Cited**

U.S. PATENT DOCUMENTS

3,705,303 A 12/1972 Willis, Jr. et al.
D535,262 S * 1/2007 Saito D13/180
7,857,497 B2 * 12/2010 Koike F21V 5/04
362/545
D671,675 S * 11/2012 Komarov D26/120
D776,323 S 1/2017 Oh
D796,722 S 9/2017 Zhu et al.
10,260,723 B1 * 4/2019 Bryant F21V 29/83
D858,848 S * 9/2019 Moghal D26/72
10,895,364 B2 * 1/2021 Chen F21S 8/086
2002/0122309 A1 9/2002 Abdelhafez et al.

1 Claim, 8 Drawing Sheets



(56)

References Cited

U.S. PATENT DOCUMENTS

2016/0146425 A1* 5/2016 Kinnune F21V 31/005
362/294
2016/0161096 A1 6/2016 Boulanger et al.
2016/0341400 A1 11/2016 Lee et al.
2017/0153017 A1 6/2017 Benner
2017/0234494 A1 8/2017 Yurich

OTHER PUBLICATIONS

Cree Edge. LED High Output Luminaire. Important Safeguards.
CREE. Jul. 16, 2015.
HMLED2. LED High Mast Lighting. HOLOPHANE. Jun. 23,
2016.
Evolve LED Roadway Lighting: High Mast Luminaire (ERHM).
Installation Guide. GE. Aug. 22, 2016.

* cited by examiner

FIG. 1

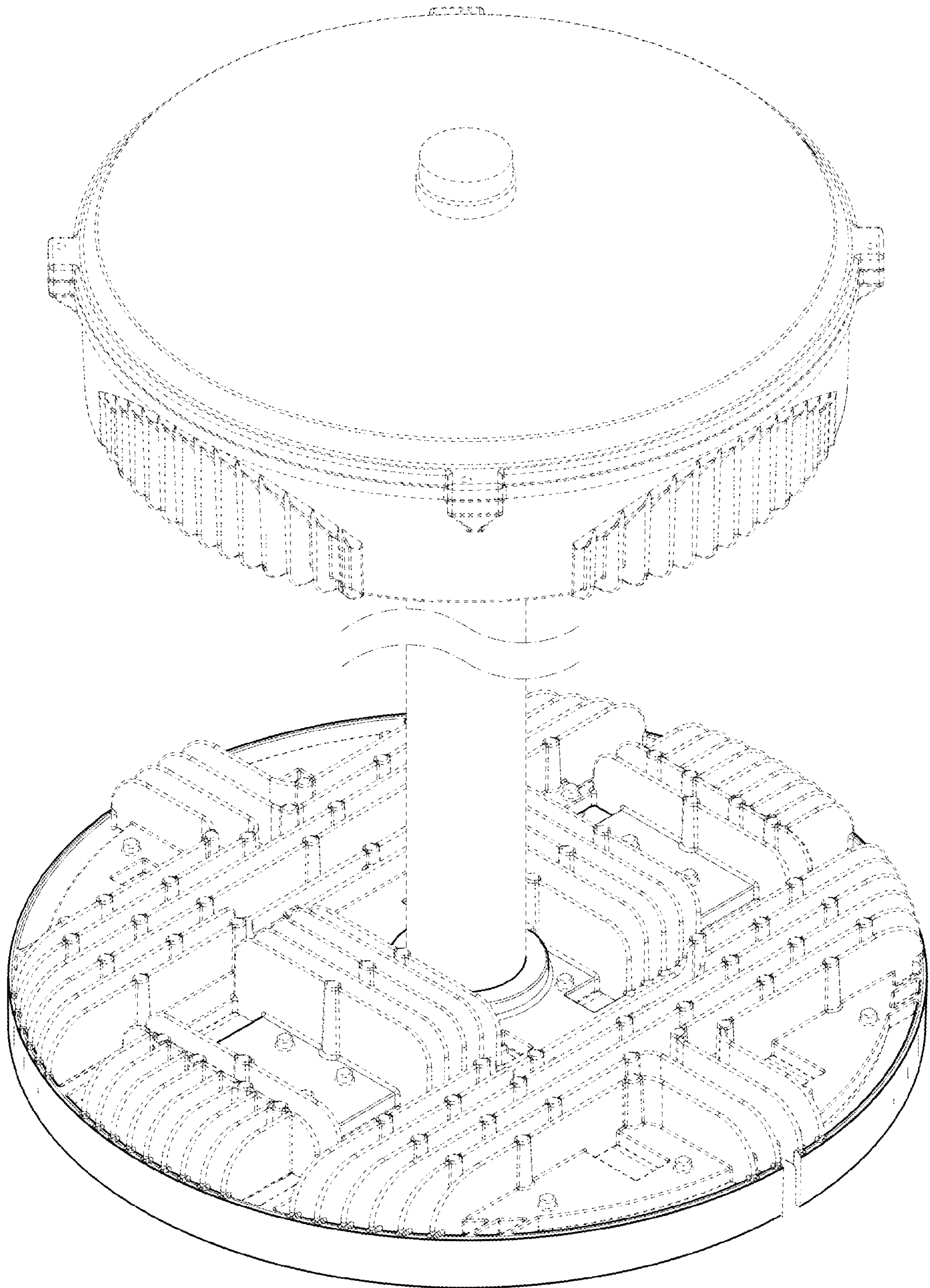


FIG. 2

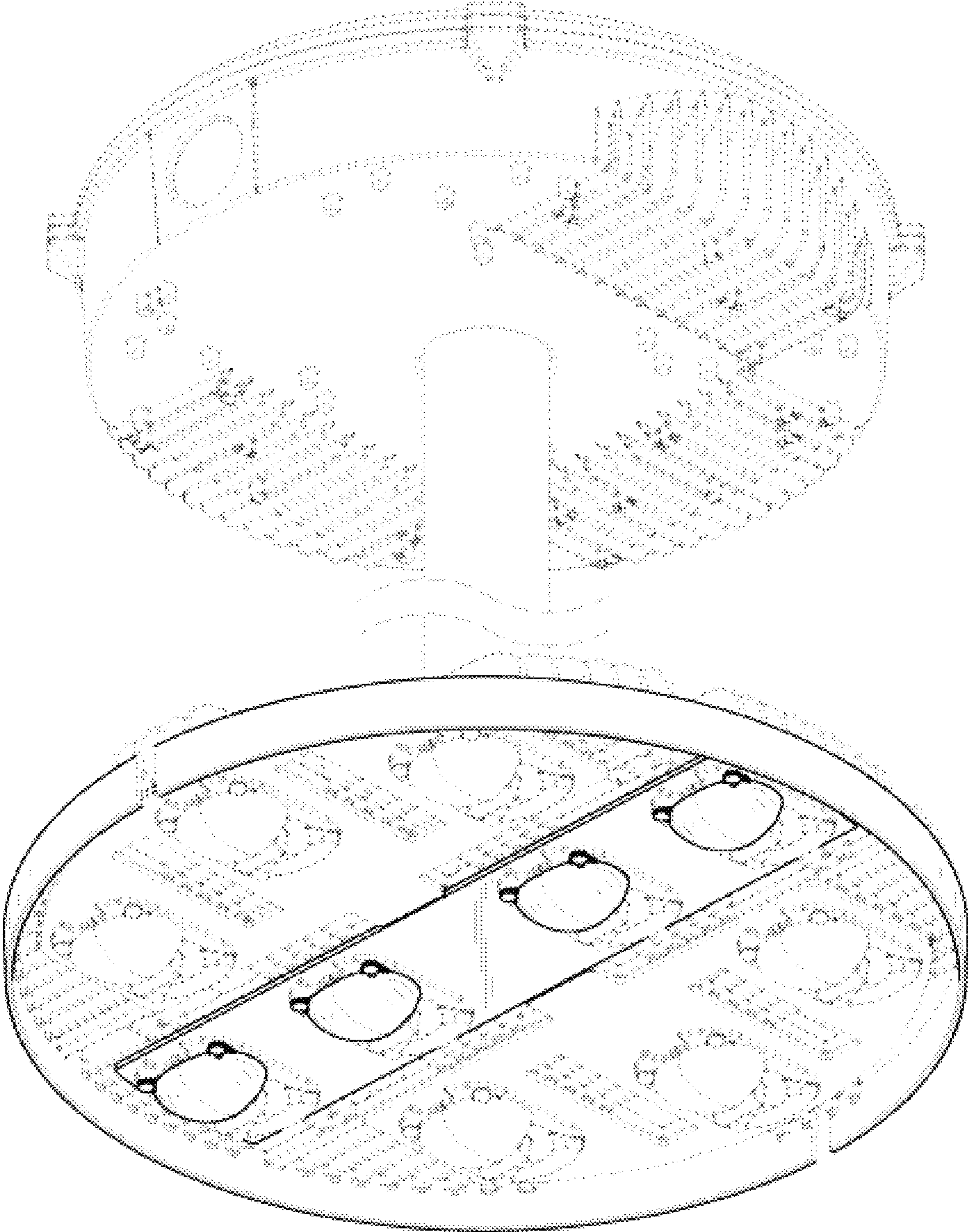


FIG. 3

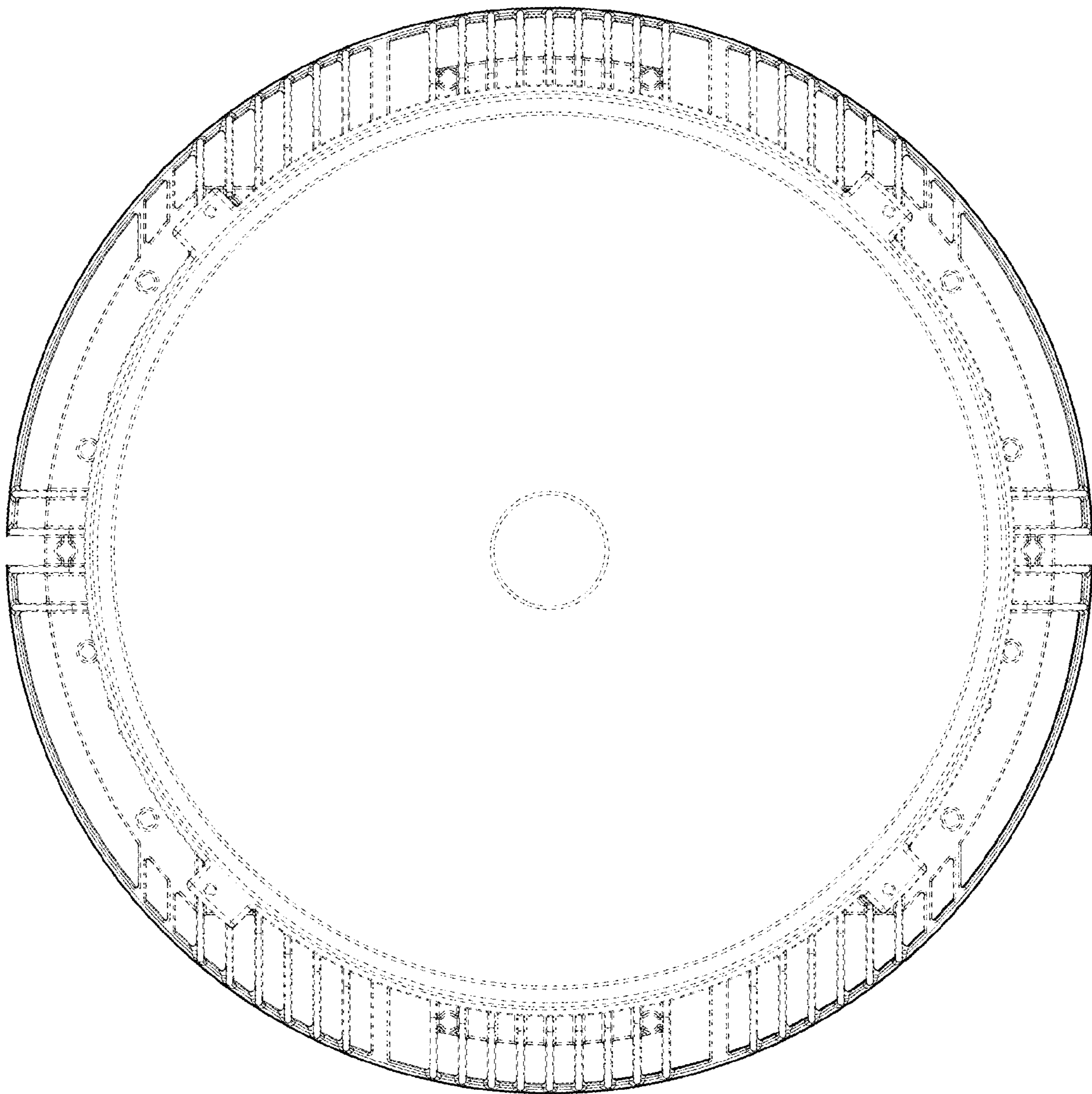


FIG. 4

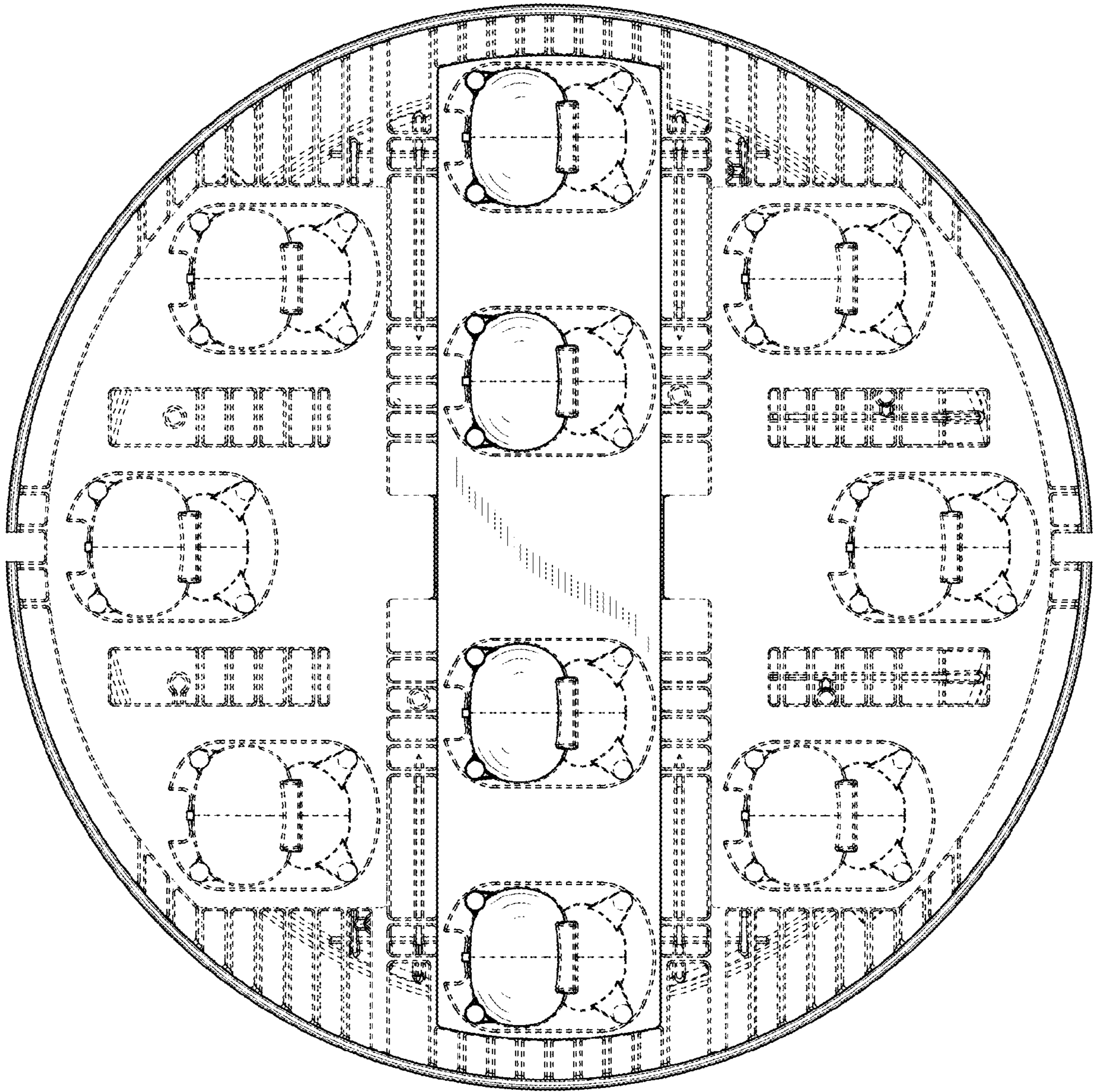


FIG. 5

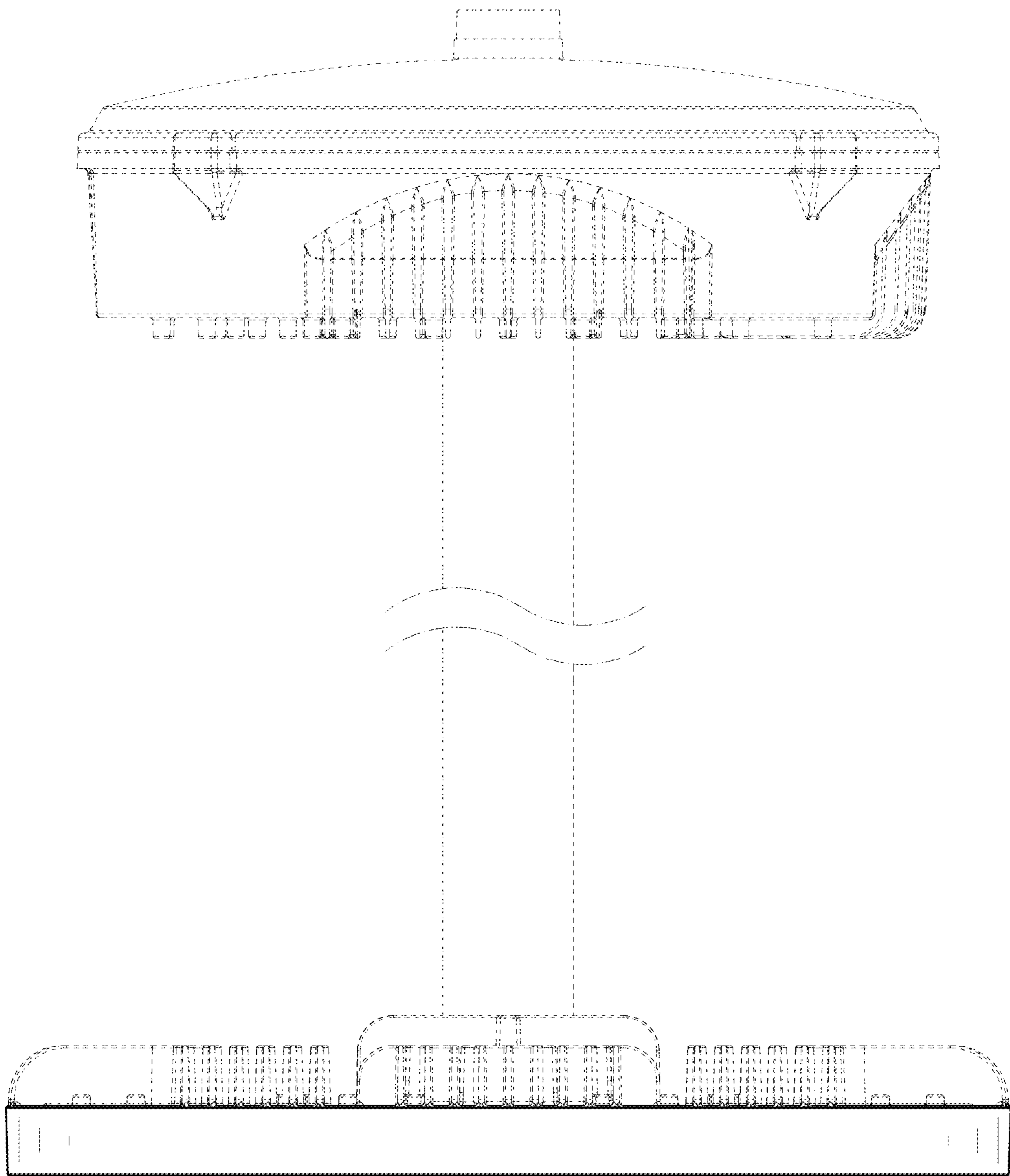


FIG. 6

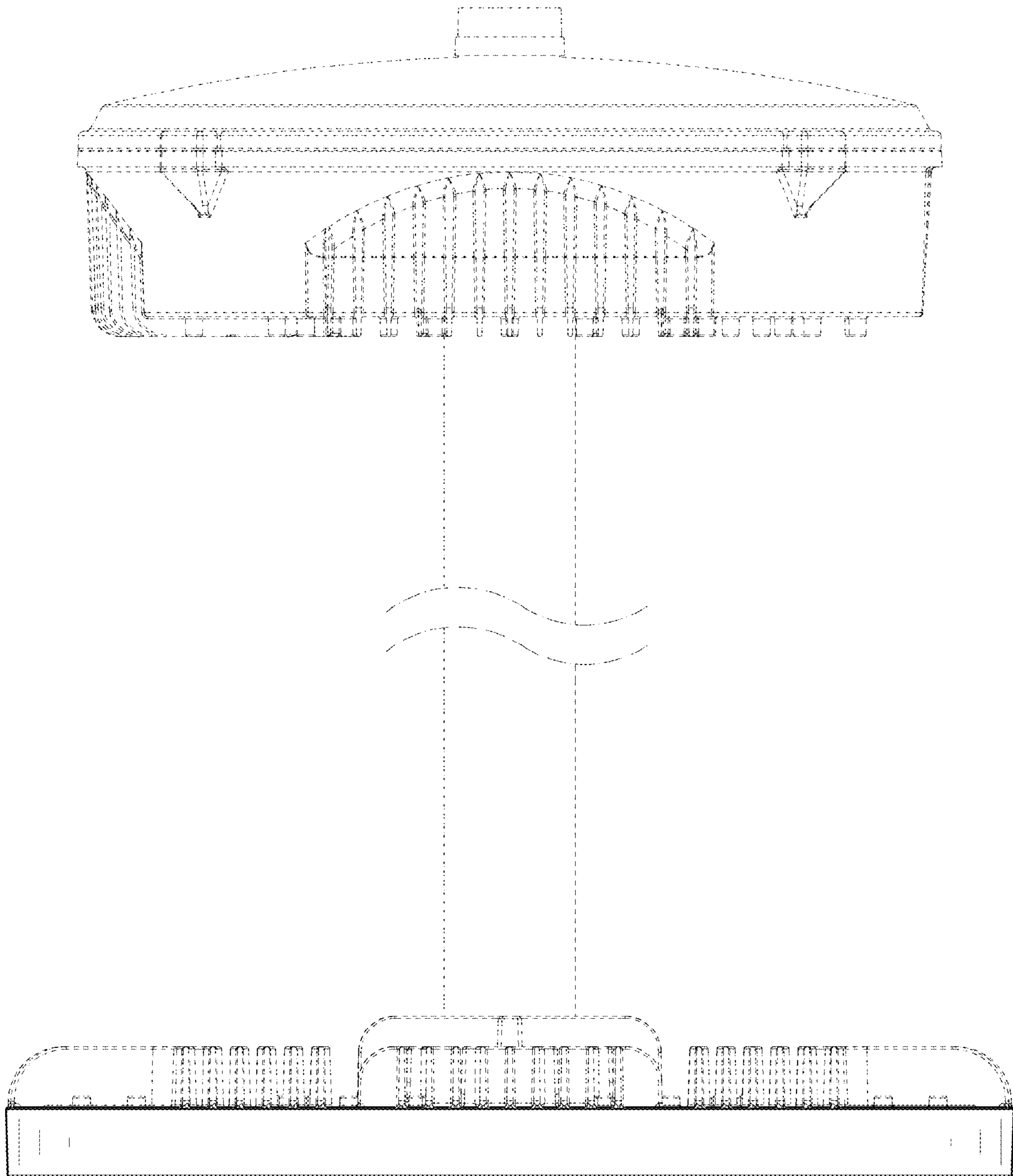


FIG. 7

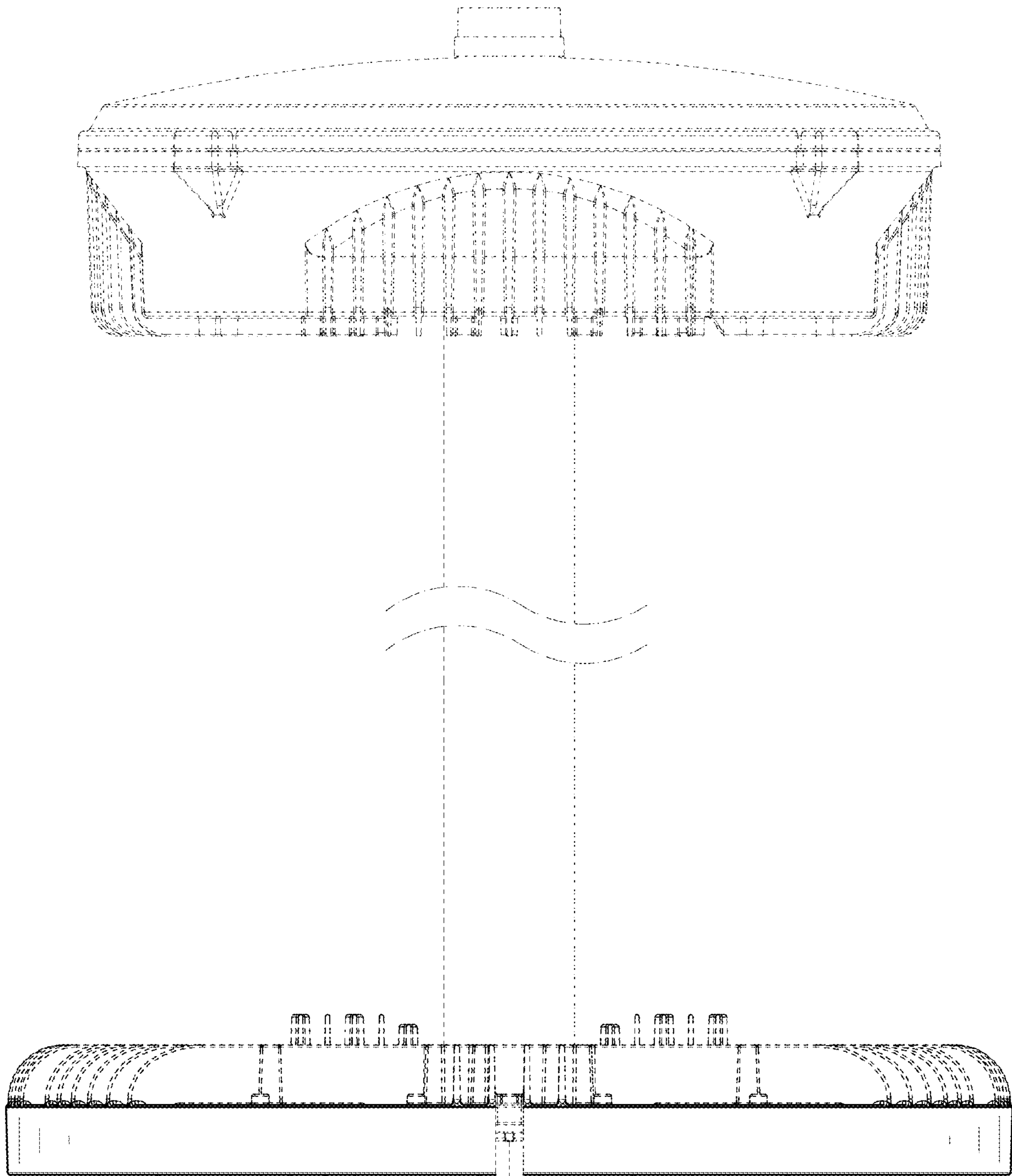


FIG. 8

