



US00D940937S

(12) **United States Design Patent**
Sharrah et al.

(10) **Patent No.: US D940,937 S**

(45) **Date of Patent: ** *Jan. 11, 2022**

(54) **HAND HOLDABLE LIGHT**

(71) Applicant: **STREAMLIGHT, INC.**, Eagleville, PA (US)

(72) Inventors: **Raymond L. Sharrah**, Collegetown, PA (US); **Peter J. Ziegenfuss**, Sellersville, PA (US)

(73) Assignee: **Streamlight, Inc.**, Eagleville, PA (US)

(*) Notice: This patent is subject to a terminal disclaimer.

(**) Term: **15 Years**

(21) Appl. No.: **29/702,078**

(22) Filed: **Aug. 16, 2019**

(51) **LOC (13) Cl. 26-02**

(52) **U.S. Cl.**
USPC **D26/49; D26/37; D26/48**

(58) **Field of Classification Search**
USPC D26/37-44, 46-52; D10/111-115
CPC . F21L 4/022; F21L 4/045; F21L 4/027; F21L 4/085; F21L 14/02; F21L 14/26
See application file for complete search history.

(56) **References Cited**

U.S. PATENT DOCUMENTS

5,432,689	A	7/1995	Sharrah et al.	
5,558,430	A *	9/1996	Booty, Jr.	F21L 4/02 362/184
D484,627	S	12/2003	Mah	
D521,667	S *	5/2006	Chean	F21L 4/027 D26/37
7,220,013	B2	5/2007	Sharrah et al.	
D592,339	S	5/2009	Crawford	
D601,284	S *	9/2009	Schonenbach	D26/46
D641,511	S *	7/2011	Wang	D26/46
D655,027	S *	2/2012	Milz	D26/49
D668,803	S	10/2012	Yang	
D687,990	S *	8/2013	Yeh	D26/46

D689,225	S *	9/2013	Yeh	D26/46
D689,230	S	9/2013	Yeh	
D690,448	S *	9/2013	Yeh	D26/46

(Continued)

FOREIGN PATENT DOCUMENTS

CN	305276721	*	7/2019
EM	002613778-0001	*	3/2015
JP	D1577481	*	5/2017

OTHER PUBLICATIONS

“Streamlight 68783 Dualie,” Jan. 5, 2017, amazon.com, site visited Jun. 24, 2021, URL: https://www.amazon.com/Streamlight-68783-Flashlight-Downward-Batteries/dp/B01N6NOD1D?ref=ast_sto_dp&th=1&psc=1 (Year: 2017).*

(Continued)

Primary Examiner — Eric L Goodman

Assistant Examiner — Sarah L Smith

(74) *Attorney, Agent, or Firm* — Clement A. Berard, Esq.; Dann, Dorfman, Herrell & Skillman, PC

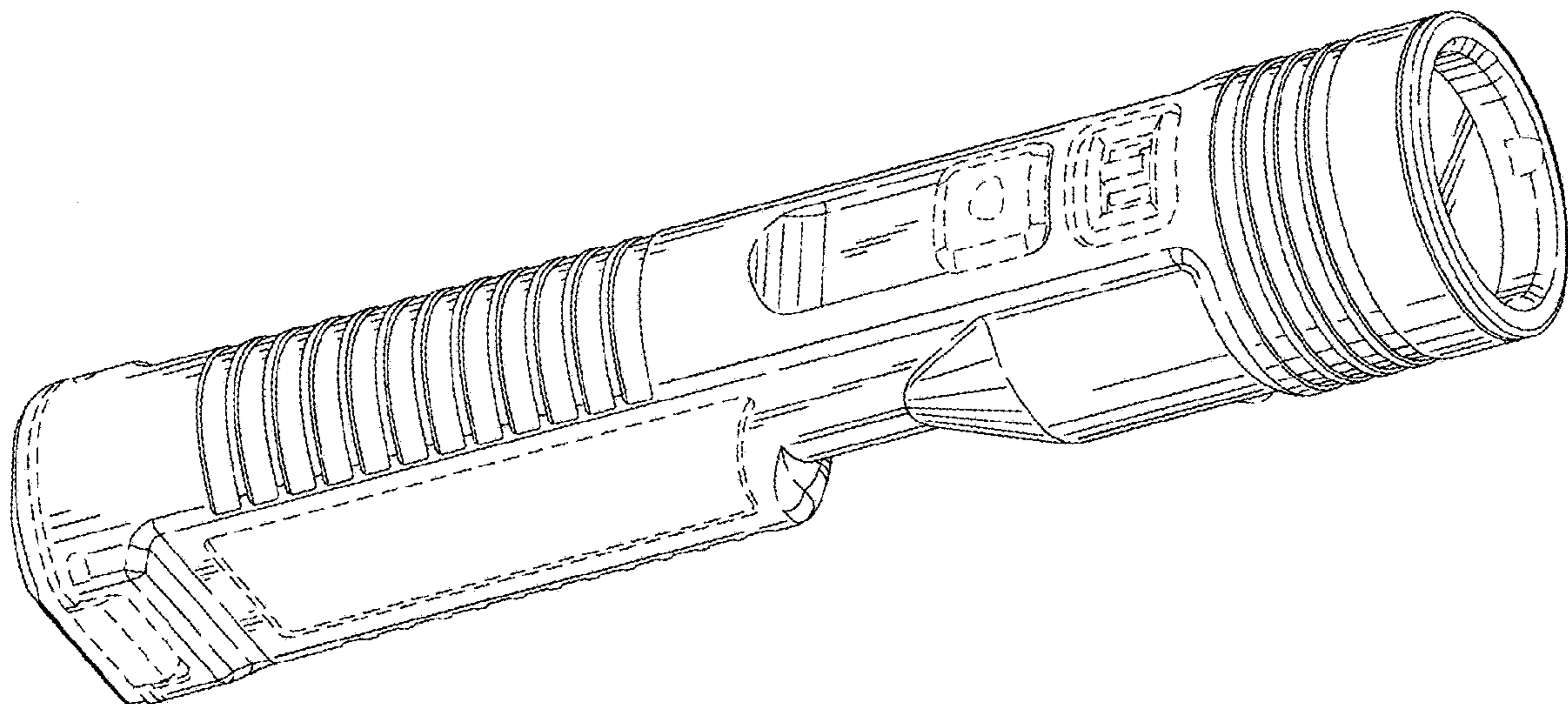
(57) **CLAIM**

The ornamental design for a hand holdable light, substantially as shown and described.

DESCRIPTION

FIG. 1 is a perspective view of an ornamental design for a hand holdable light;
FIG. 2 is a second perspective view thereof;
FIG. 3 is a side view of a first side thereof;
FIG. 4 is a side view of a second side thereof;
FIG. 5 is a side view of a third side thereof;
FIG. 6 is a side view of a fourth side thereof;
FIG. 7 is an end view of a first end thereof; and,
FIG. 8 is an end view of a second end thereof.
Broken lines in the DRAWING indicate unclaimed parts of the article that are not claimed herein, and that form no part of the claimed design.

1 Claim, 5 Drawing Sheets



(56)

References Cited

U.S. PATENT DOCUMENTS

8,690,377	B2	4/2014	Weber	
8,979,298	B1 *	3/2015	Wang	F21L 4/027 362/184
D726,944	S *	4/2015	Wu	D26/46
D728,139	S *	4/2015	Wang	F21L 4/00 D26/49
D745,987	S	12/2015	Nawaz	
D748,309	S *	1/2016	Cheng	D26/38
D765,295	S *	8/2016	McLennan	F21V 21/0885 D26/49
D767,187	S *	9/2016	Hine	D26/49
D786,466	S *	5/2017	Prieto	D26/49
D797,882	S *	9/2017	Tang	D22/117
D817,528	S	5/2018	Wu	
D832,481	S	10/2018	Tang	
D849,979	S	5/2019	Lehovetzki	
D855,851	S	8/2019	Kotsis	
D861,215	S	9/2019	Sharrah	
D874,043	S	1/2020	Lee	
D874,606	S	2/2020	Yang	
D880,740	S *	4/2020	Galli	F21L 4/027 D26/46
D884,946	S	5/2020	Muyschondt	
D893,784	S	8/2020	Wu	
D899,647	S	10/2020	Shan	
D899,649	S	10/2020	Qiu	
D902,341	S *	11/2020	Starr	D22/108
D905,309	S *	12/2020	Hong	D26/49
D906,559	S *	12/2020	Westling	D26/49
2005/0030741	A1 *	2/2005	Uke	F21V 25/12 362/200
2005/0052862	A1 *	3/2005	Bruwer	F21L 4/027 362/157
2014/0192523	A1 *	7/2014	Wang	F21L 4/00 362/202
2016/0018071	A1 *	1/2016	Sharrah	F21V 21/0885 362/184
2016/0018090	A1 *	1/2016	Sharrah	F21L 4/027 362/184
2016/0161069	A1 *	6/2016	Lam	F21L 4/027 362/205
2020/0064102	A1 *	2/2020	Galli	F41G 11/003
2021/0215302	A1 *	7/2021	Sharrah	F21V 23/0414

OTHER PUBLICATIONS

“COB LED Work Flashlight,” Oct. 31, 2018, amazon.com, site visited Jun. 15, 2021, URL: <https://www.amazon.com/Flashlight-Magnetic-Multi-Function-Pocket-Inspection/dp/B07K2NZSR6> (Year: 2018).*

“RovyVon Aurora,” Apr. 25, 2018, amazon.com, site visited Jun. 24, 2021, URL: <https://www.amazon.com/RovyVon-Keychain-Rechargeable-Flashlight-A1/dp/B07CP6CFX9> (Year: 2018).*

“Fenix Flashlights,” Aug. 2, 2018, amazon.com, site visited Jun. 24, 2021, URL: <https://www.amazon.com/Fenix-Flashlight-Lumens-Black-TK35HPBK/dp/B07B6SYKR9> (Year: 2018).*

Streamlight, Inc., “4AA ProPolymax® —Long-Range High Lumen 7" Polymer Flashlight”, dated 2019, 2 pages, <https://www.streamlight.com/products/detail/index/4aa-propolymax>.

Streamlight, Inc., “Dualie® 3AA—Intrinsically Safe, Multi-Function Flashlight with Optional Magnetic Clip”, dated 2019, 2 pgs, <https://www.streamlight.com/products/detail/index/dualie-3aa>.

Streamlight, Inc., “Stinger Switchblade®—Super Bright, 800 Lumen Rechargeable Light Bar with 180 Degree Rotation”, dated 2019, 2 pages, <https://www.streamlight.com/products/detail/index/stinger-switchblade>.

Streamlight, Inc., “Stinger Switchblade® Multi-Function Worklight—Data Sheet”, dated 2019, 1 pg.

Streamlight, Inc., “Stinger Switchblade® LED Rechargeable Area Light Product Fact Sheet”, Document #311, Issued: Oct. 16, 2017, Revised: Sep. 25, 2019, 1 page.

Streamlight, Inc., “Hand Holdable Light”, U.S. Appl. No. 29/719,363, filed Jan. 3, 2020, 28 pages.

United States Patent and Trademark Office, “Notice of Allowance”, U.S. Appl. No. 29/719,363, dated Jul. 1, 2021, 5 pages.

United States Patent and Trademark Office, “Notice of Allowance”, U.S. Appl. No. 29/719,363, dated Oct. 15, 2021, 16 pages.

Streamlight, Inc., “Continued Prosecution Application”, U.S. Appl. No. 29/719,363, filed Sep. 28, 2021, 16 pages.

Streamlight, Inc., “Response Under 37 C.F.R. §1.111”, U.S. Appl. No. 29/719,363, filed Feb. 4, 2021, 10 pages.

United States Patent and Trademark Office, “Office Action”, U.S. Appl. No. 29/719,363, dated Nov. 27, 2020, 11 pages.

* cited by examiner

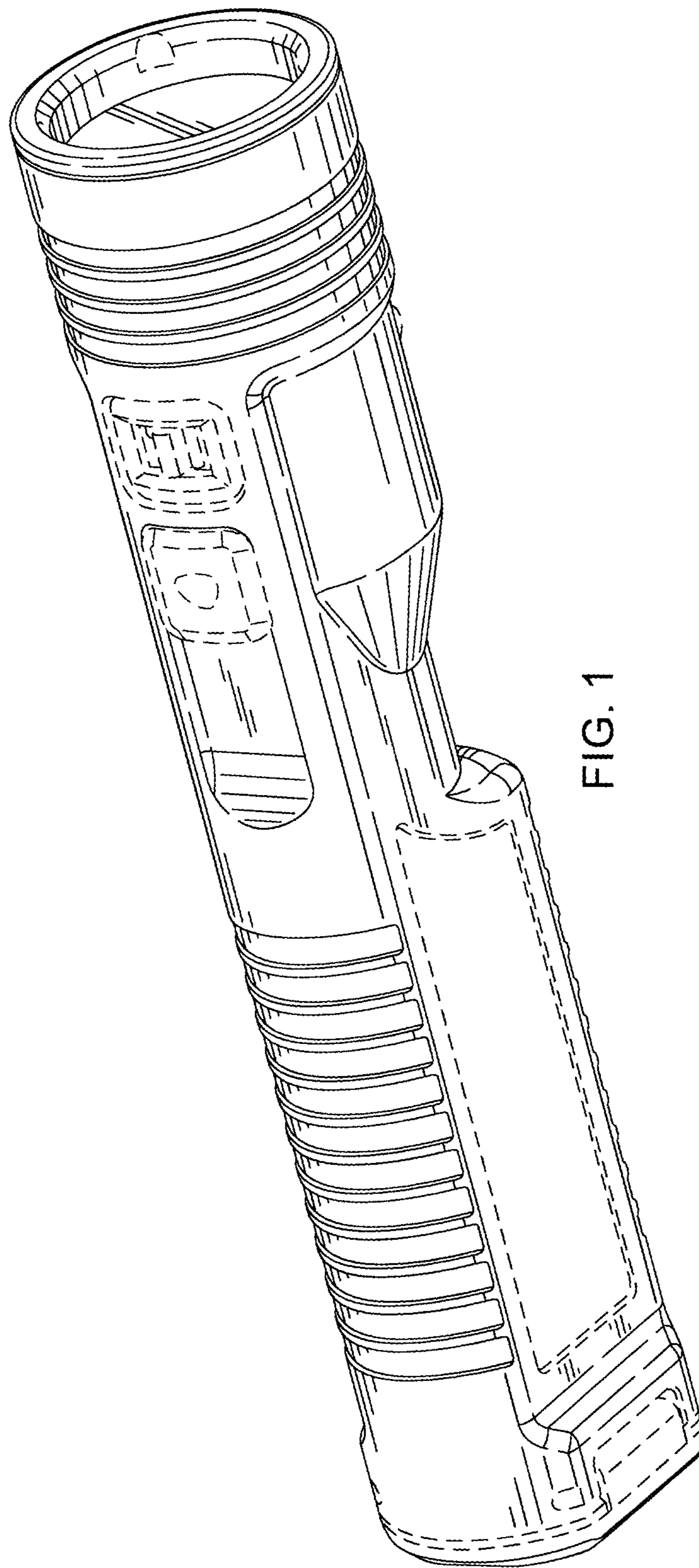


FIG. 1

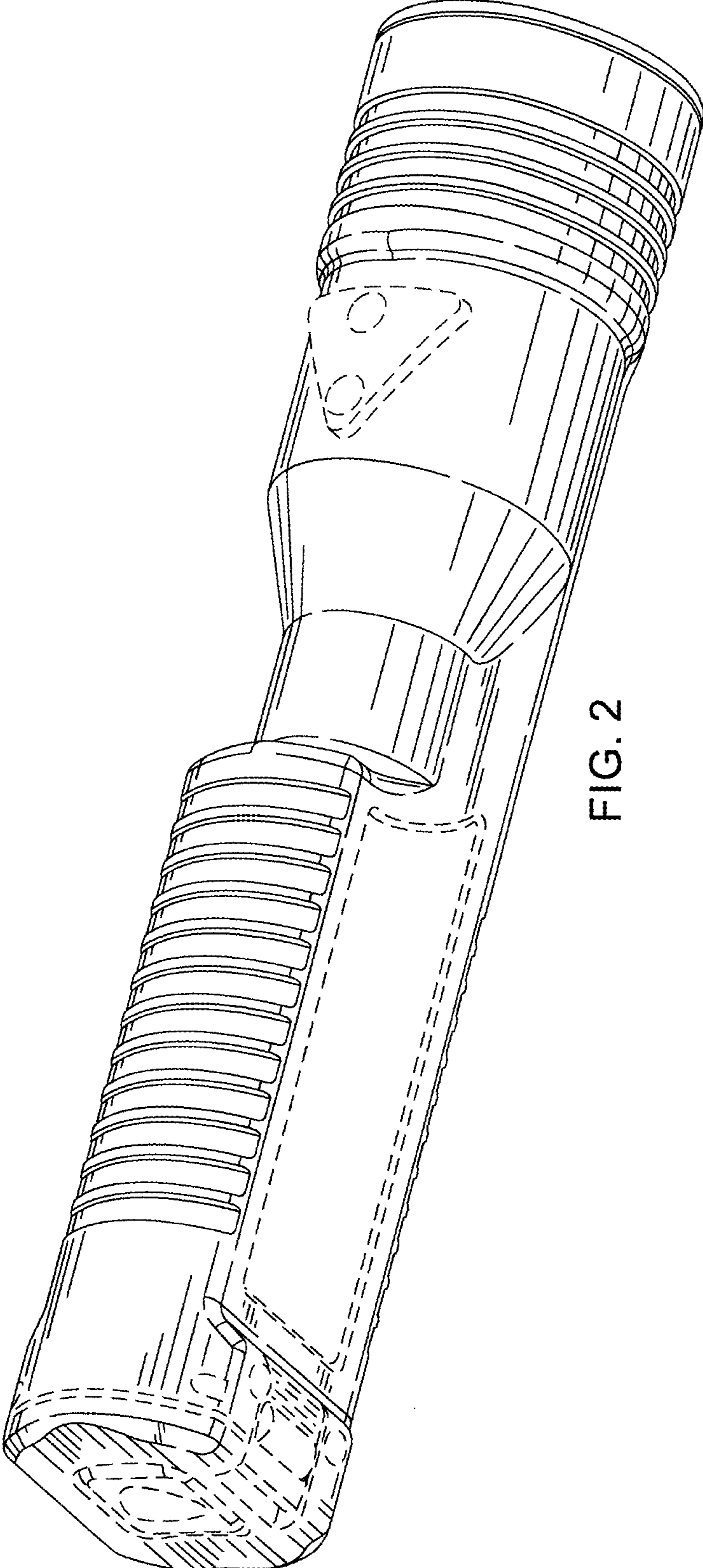


FIG. 2

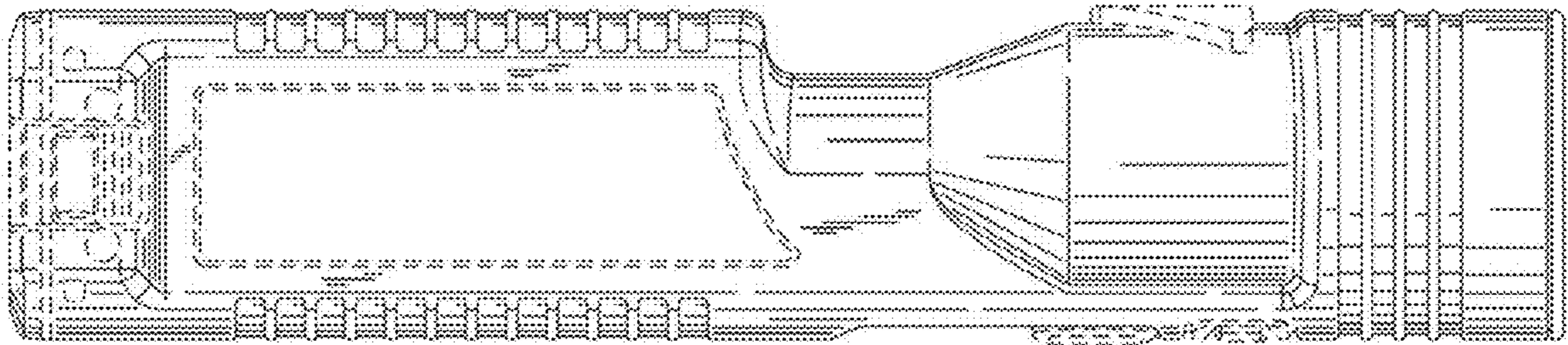


FIG. 3

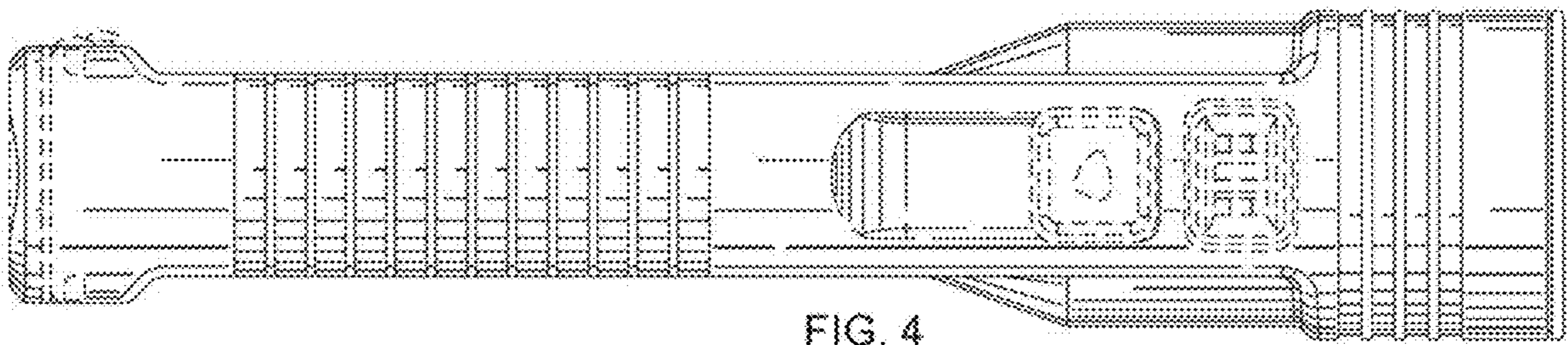


FIG. 4

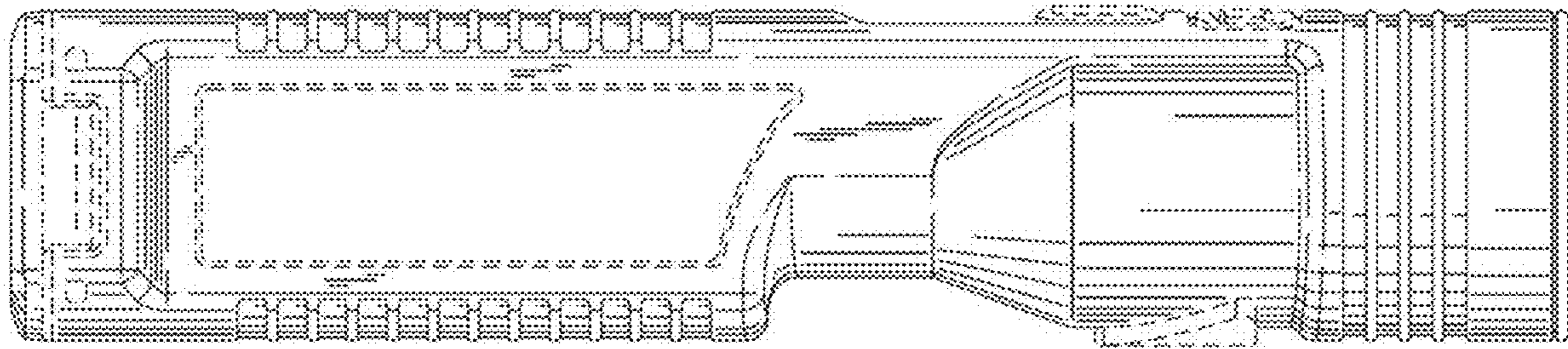


FIG. 5

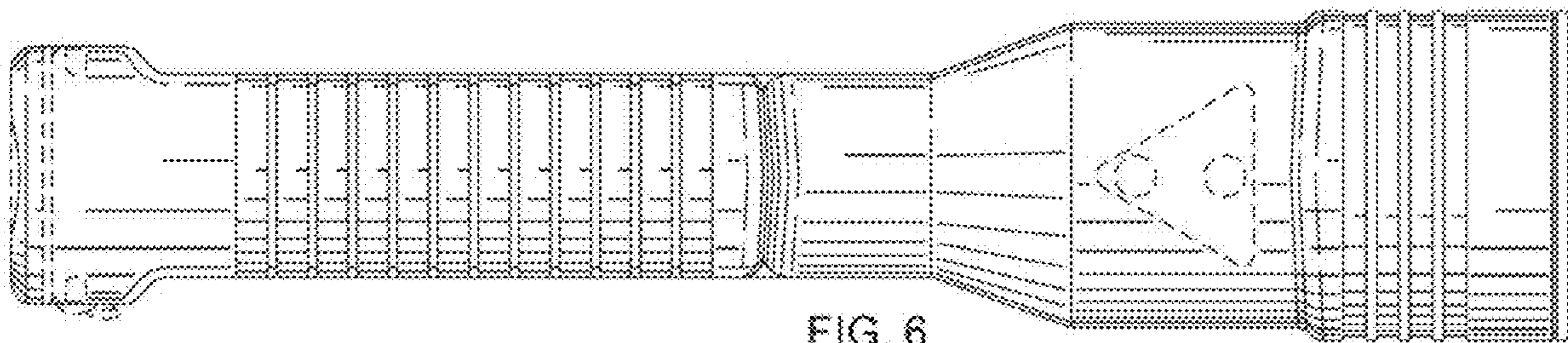


FIG. 6

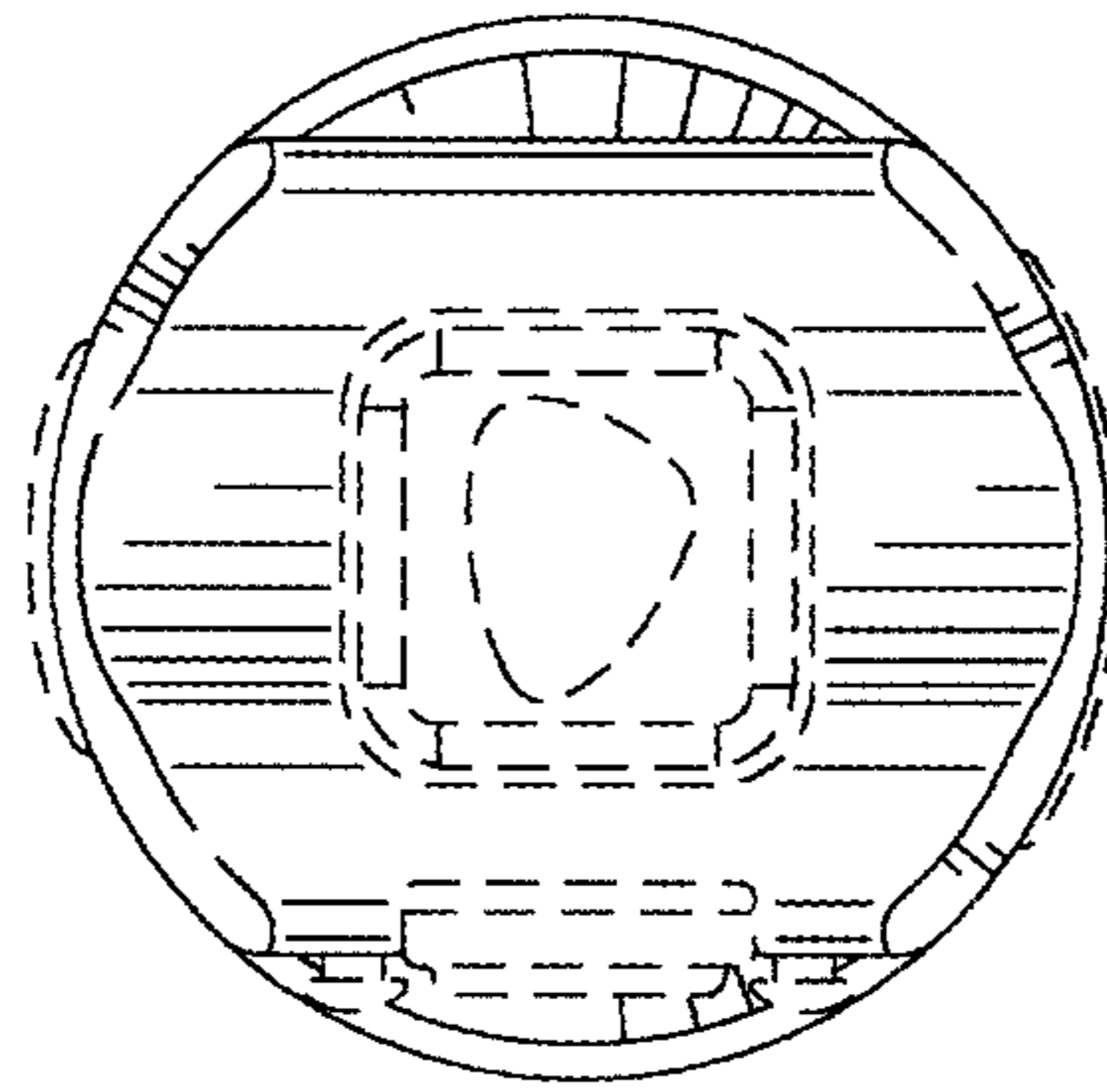


FIG. 8

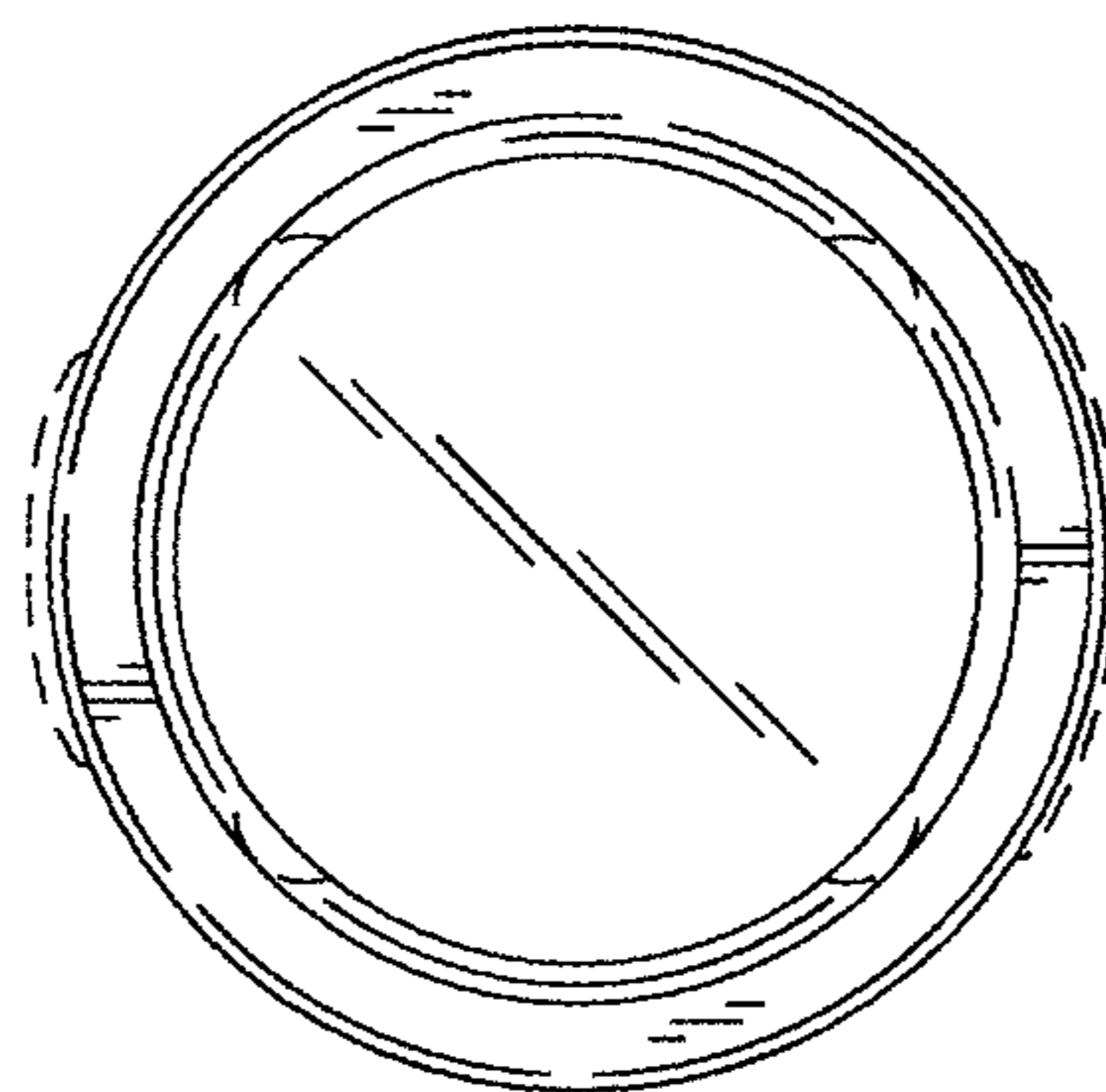


FIG. 7