



US00D940936S

(12) **United States Design Patent**
Sharrah et al.

(10) **Patent No.:** **US D940,936 S**
(45) **Date of Patent:** **** Jan. 11, 2022**

- (54) **HAND HOLDABLE LIGHT**
- (71) Applicant: **STREAMLIGHT, INC.**, Eagleville, PA (US)
- (72) Inventors: **Raymond L. Sharrah**, Collegeville, PA (US); **Peter J. Ziegenfuss**, Sellersville, PA (US)
- (73) Assignee: **Streamlight, Inc.**, Eagleville, PA (US)
- (**) Term: **15 Years**
- (21) Appl. No.: **29/719,363**
- (22) Filed: **Jan. 3, 2020**
- (51) **LOC (13) Cl.** **26-02**
- (52) **U.S. Cl.**
USPC **D26/37**
- (58) **Field of Classification Search**
USPC D26/37-51
CPC F21L 2003/00; F21L 4/005; F21L 4/025; F21L 4/027; F21L 4/04; F21L 4/08; F21L 13/00; F21L 13/08; F21L 14/02; F21L 19/00; F21L 2/00; F21L 4/00-4/085; F21L 15/00-15/14; F21L 2001/00; F21L 2005/00; F21L 25/00
See application file for complete search history.

D689,230 S * 9/2013 Yeh D26/49
 D690,448 S 9/2013 Yeh
 8,690,377 B2 4/2014 Weber
 8,979,298 B1 3/2015 Wang
 D726,944 S 4/2015 Wu
 (Continued)

FOREIGN PATENT DOCUMENTS

CN 305276721 7/2019
 EM 002613778-0001 3/2015
 JP 1577481 5/2017

OTHER PUBLICATIONS

Streamlight, Inc., "Hand Holdable Light", Design U.S. Appl. No. 29/702,078, filed Aug. 16, 2019, 29 pages.
 (Continued)

Primary Examiner — Michelle E. Wilson
 (74) *Attorney, Agent, or Firm* — Clement A. Berard, Esq.; Dann, Dorfman, Herrell & Skillman, PC

(57) **CLAIM**

The ornamental design for a hand holdable light, substantially as shown and described.

DESCRIPTION

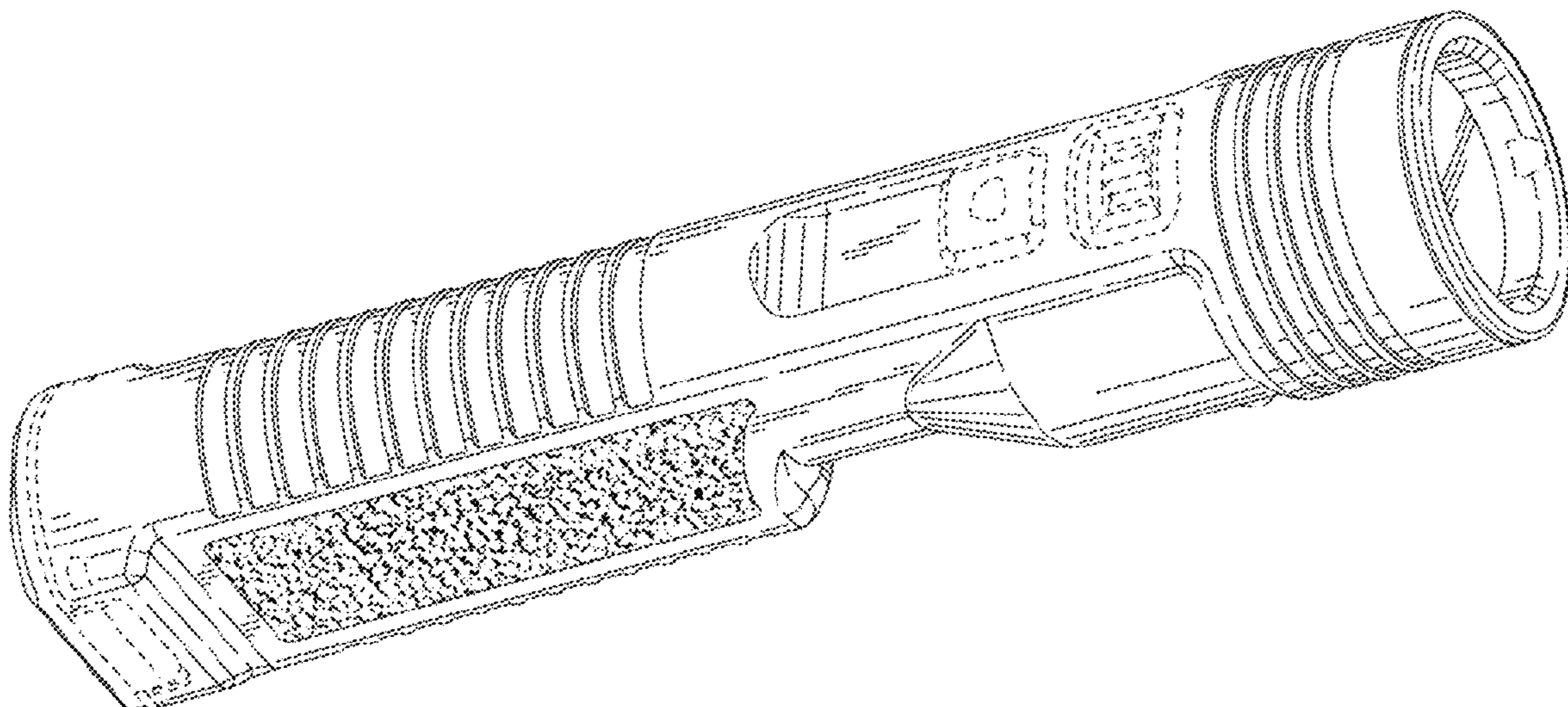
FIG. 1 is a perspective view of an ornamental design for a hand holdable light;
 FIG. 2 is a second perspective view thereof;
 FIG. 3 is a side view of a first side thereof;
 FIG. 4 is a side view of a second side thereof;
 FIG. 5 is a side view of a third side thereof;
 FIG. 6 is a side view of a fourth side thereof;
 FIG. 7 is an end view of a first end thereof; and,
 FIG. 8 is an end view of a second end thereof.
 Broken lines in the drawing indicate unclaimed parts of the article that are not claimed herein, and that form no part of the claimed design.

1 Claim, 5 Drawing Sheets

(56) **References Cited**

U.S. PATENT DOCUMENTS

5,432,689	A	7/1995	Sharrah et al.	
5,558,430	A	9/1996	Booty, Jr.	
D484,627	S *	12/2003	Mah	D26/49
D521,667	S	5/2006	Chean	
7,220,013	B2	5/2007	Sharrah et al.	
D592,339	S *	5/2009	Crawford	D26/37
D601,284	S	9/2009	Schonenbach	
D641,511	S	7/2011	Wang	
D655,027	S	2/2012	Milz	
D668,803	S *	10/2012	Yang	D26/46
D687,990	S *	8/2013	Yeh	D26/46
D689,225	S	9/2013	Yeh	



(56)

References Cited

U.S. PATENT DOCUMENTS

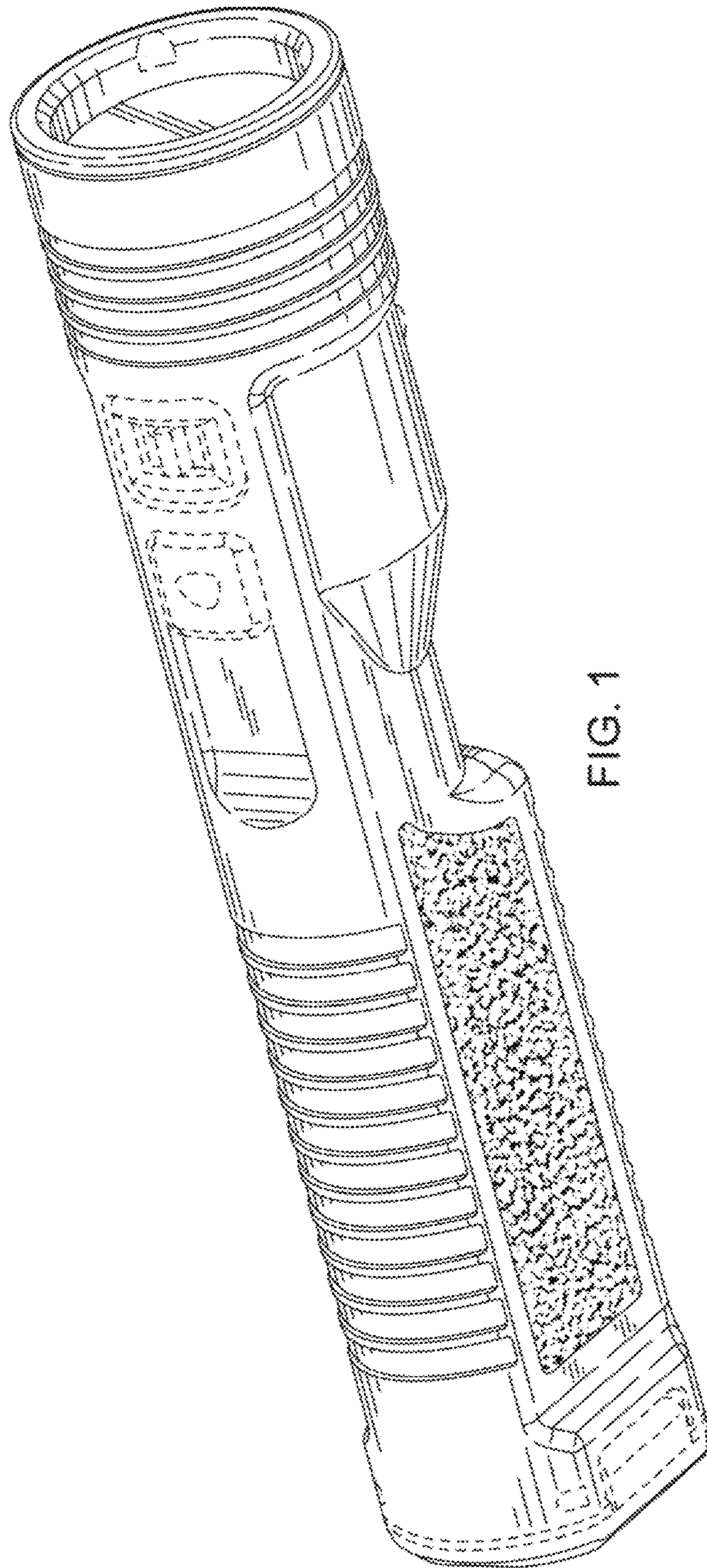
D728,139	S	*	4/2015	Wang	D26/49
D745,987	S	*	12/2015	Nawaz	D26/38
D748,309	S		1/2016	Cheng		
D765,295	S		8/2016	McLennan		
D767,187	S		9/2016	Hine		
D786,466	S		5/2017	Prieto		
D797,882	S	*	9/2017	Tang	D22/117
D817,528	S	*	5/2018	Wu	D26/38
D832,481	S	*	10/2018	Tang	D26/49
D849,979	S	*	5/2019	Lehovetzki	D26/49
D855,851	S	*	8/2019	Kotsis	D26/49
D861,215	S	*	9/2019	Sharrah	D26/49
D874,043	S	*	1/2020	Lee	D26/37
D874,606	S	*	2/2020	Yang	D22/117
D880,740	S		4/2020	Galli		
D884,946	S	*	5/2020	Muyschondt	D26/49
D893,784	S	*	8/2020	Wu	D26/49
D899,647	S	*	10/2020	Shan	D26/49
D899,649	S	*	10/2020	Qiu	D26/49
D902,341	S		11/2020	Starr		
D905,309	S		12/2020	Hong		
D906,559	S		12/2020	Westling		
2005/0030741	A1		2/2005	Uke		
2005/0052862	A1		3/2005	Bruwer		
2014/0192523	A1		7/2014	Wang		
2016/0018071	A1		1/2016	Sharrah		
2016/0018090	A1		1/2016	Sharrah		
2016/0161069	A1		6/2016	Lam		
2020/0064102	A1		2/2020	Galli		
2021/0215302	A1		7/2021	Sharrah		

OTHER PUBLICATIONS

Streamlight, Inc., “4AA ProPolymax® —Long-Range High Lumen 7” Polymer Flashlight, dated 2019, 2 pages, <https://www.streamlight.com/products/detail/index/4aa-propolymax>.

Streamlight, Inc., “Dualie® 3AA—Intrinsically Safe, Multi-Function Flashlight with Optional Magnetic Clip”, dated 2019, 2 pgs, <https://www.streamlight.com/products/detail/index/dualie-3aa>.
 Streamlight, Inc., “Stinger Switchblade® —Super Bright, 800 Lumen Rechargeable Light Bar with 180 Degree Rotation”, dated 2019, 2 pages, <https://www.streamlight.com/products/detail/index/stinger-switchblade>.
 Streamlight, Inc., “Stinger Switchblade® Multi-Function Worklight—Data Sheet”, dated 2019, 1 pg.
 Streamlight, Inc., “Stinger Switchblade® LED Rechargeable Area Light Product Fact Sheet”, Document #311, Issued: Oct. 16, 2017, Revised: Sep. 25, 2019, 1 page.
 Streamlight, Inc., “Hand Holdable Light”, U.S. Appl. No. 29/702,078, filed Aug. 16, 2019, 29 pages.
 United States Patent and Trademark Office, “Office Action”, U.S. Appl. No. 29/702,078, dated Jul. 14, 2021, 9 pages.
 “Streamlight 68783 Dualie,” Jan. 5, 2017, amazon.com, site visited Jun. 24, 2021, URL: https://www.amazon.com/Streamlight-68783-Fiashlight-Downward-Batteries/dp/BO1N6NOD1D?ref_ast_sto_dp&th=1&psc=1 (Year 2017).
 “Cob LED Work Flashlight,” Oct. 31, 2018, amazon.com, site visited Jun. 15, 2021, URL: <https://www.amazon.com/Fiashlight-Magnetic-Multi-Function-Pocket-Inspection/dp/B07K2NZSR6> (Year: 2018).
 “RovyVon Aurora,” Apr. 25, 2018, amazon.com, site visited Jun. 24, 2021, URL: <https://www.amazon.com/RovyVon-Keychain-Rechargeable-Fiashlight-A1/dp/B07CP6CFX9> (Year: 2018).
 “Fenix Flashlights,” Aug. 2, 2018, amazon.com, site visited Jun. 24, 2021, URL: <https://www.amazon.com/Fenix-Fiashlight-Lumens-Biack-TK35H-PBK!dp/B07B6SYKR9> (Year: 2018).
 Streamlight, Inc., “Response Under 37 C.F.R. §1.111”, U.S. Appl. No. 29/702,078, submitted Aug. 4, 2021, 5 pages.
 United States Patent and Trademark Office, “Office Action”, U.S. Appl. No. 29/702,078, dated Sep. 3, 2021, 6 pages.

* cited by examiner



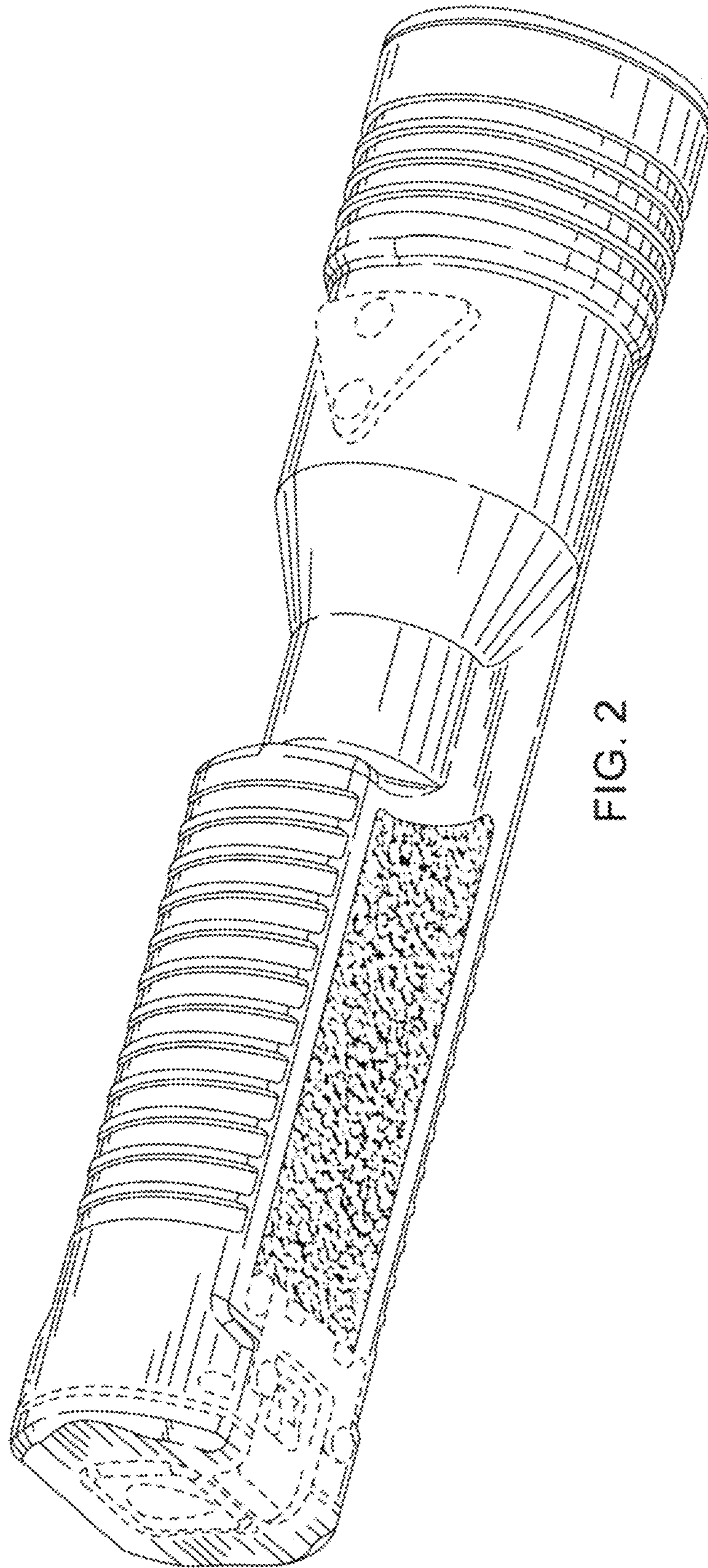


FIG. 2

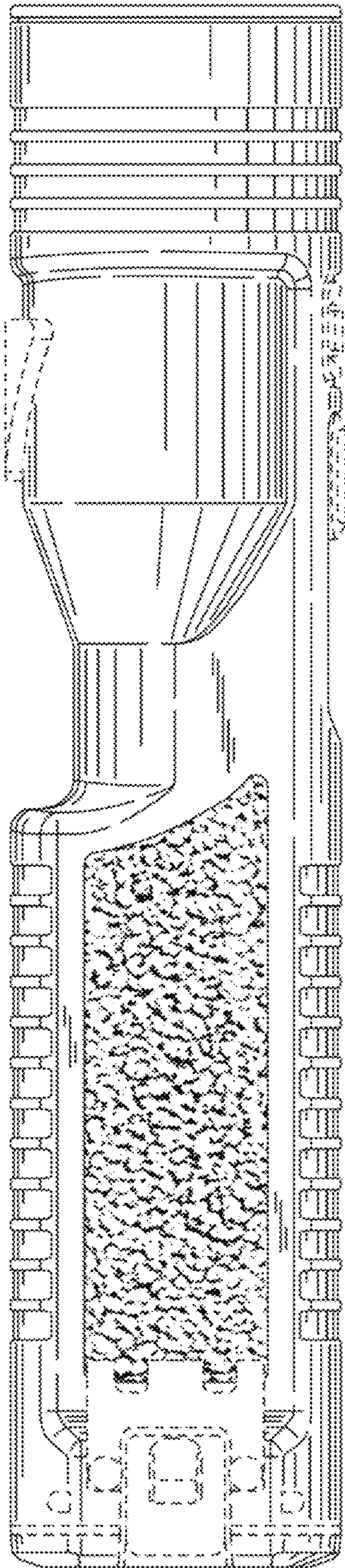


FIG. 3

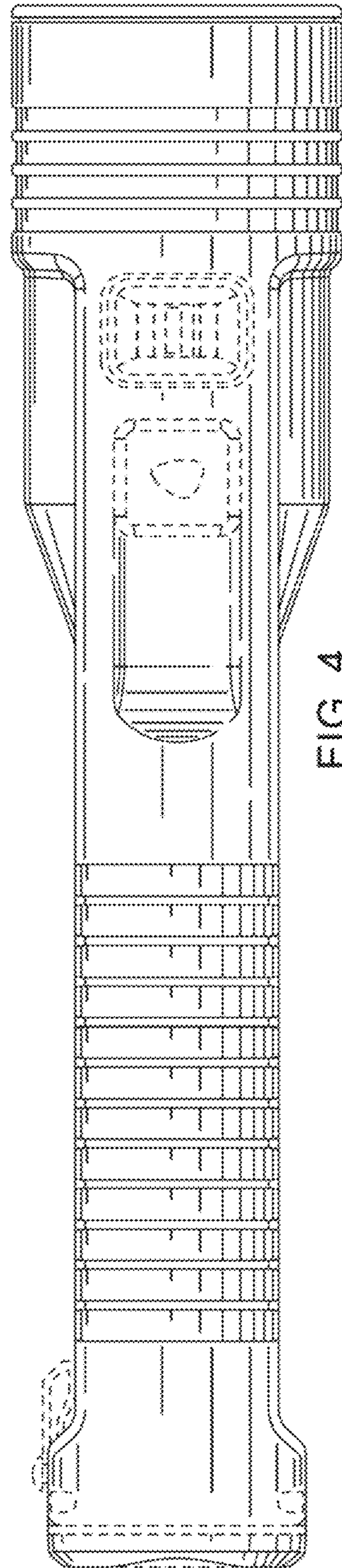


FIG. 4

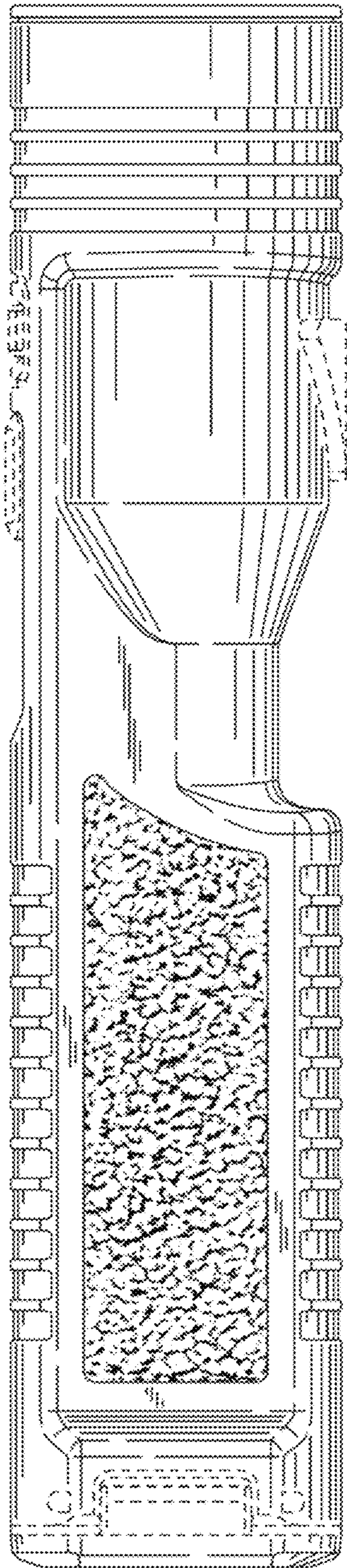


FIG. 5

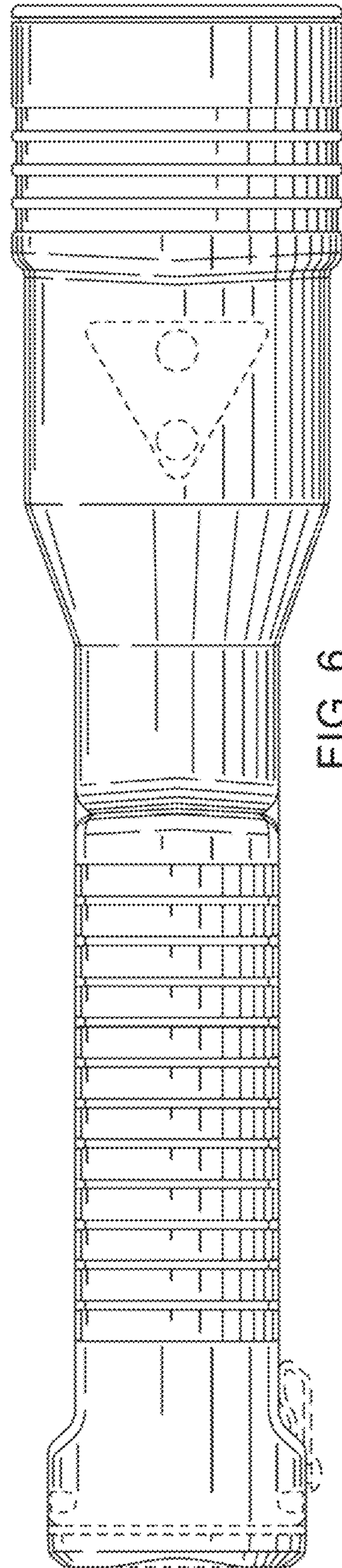


FIG. 6

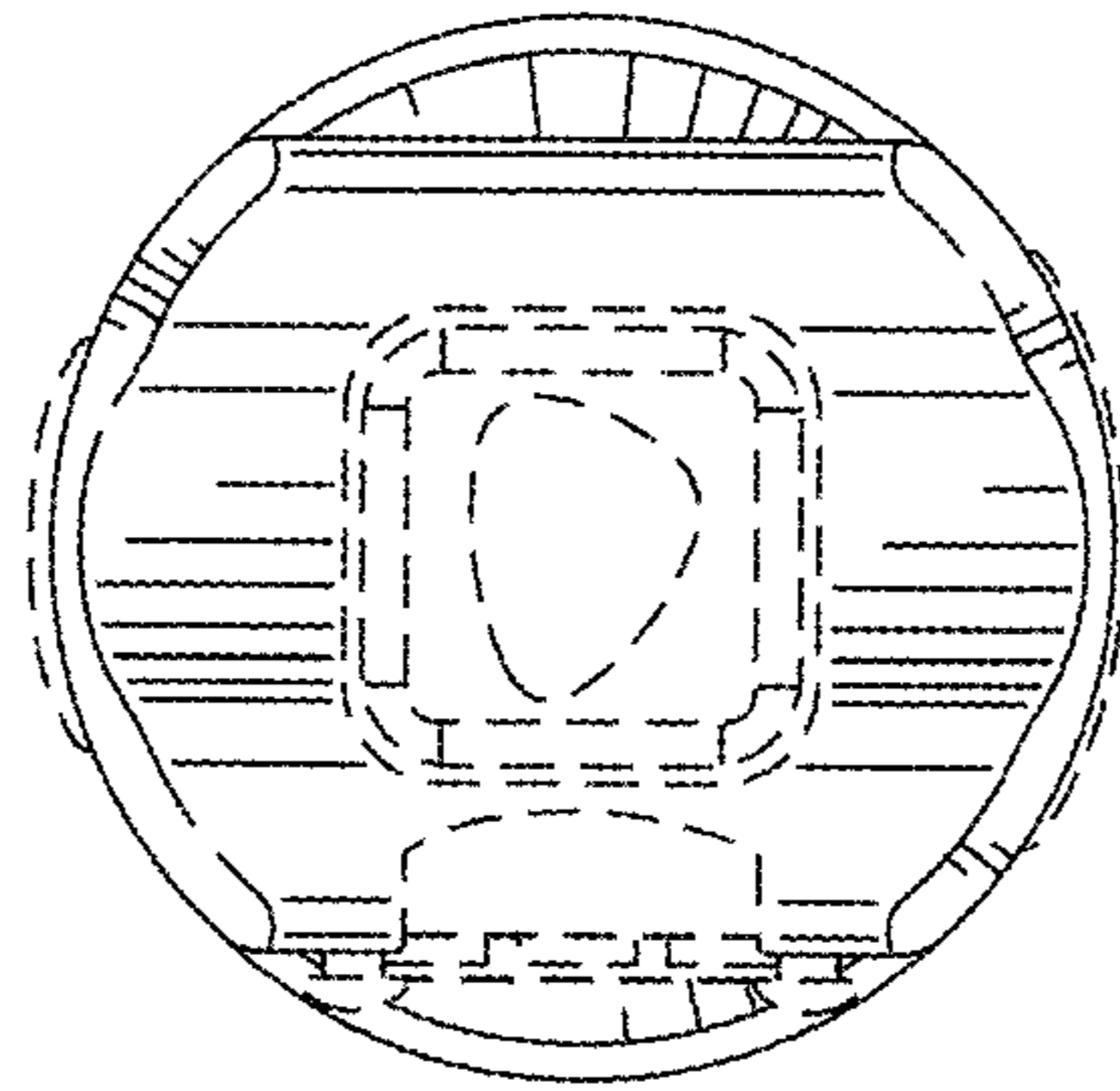


FIG. 8

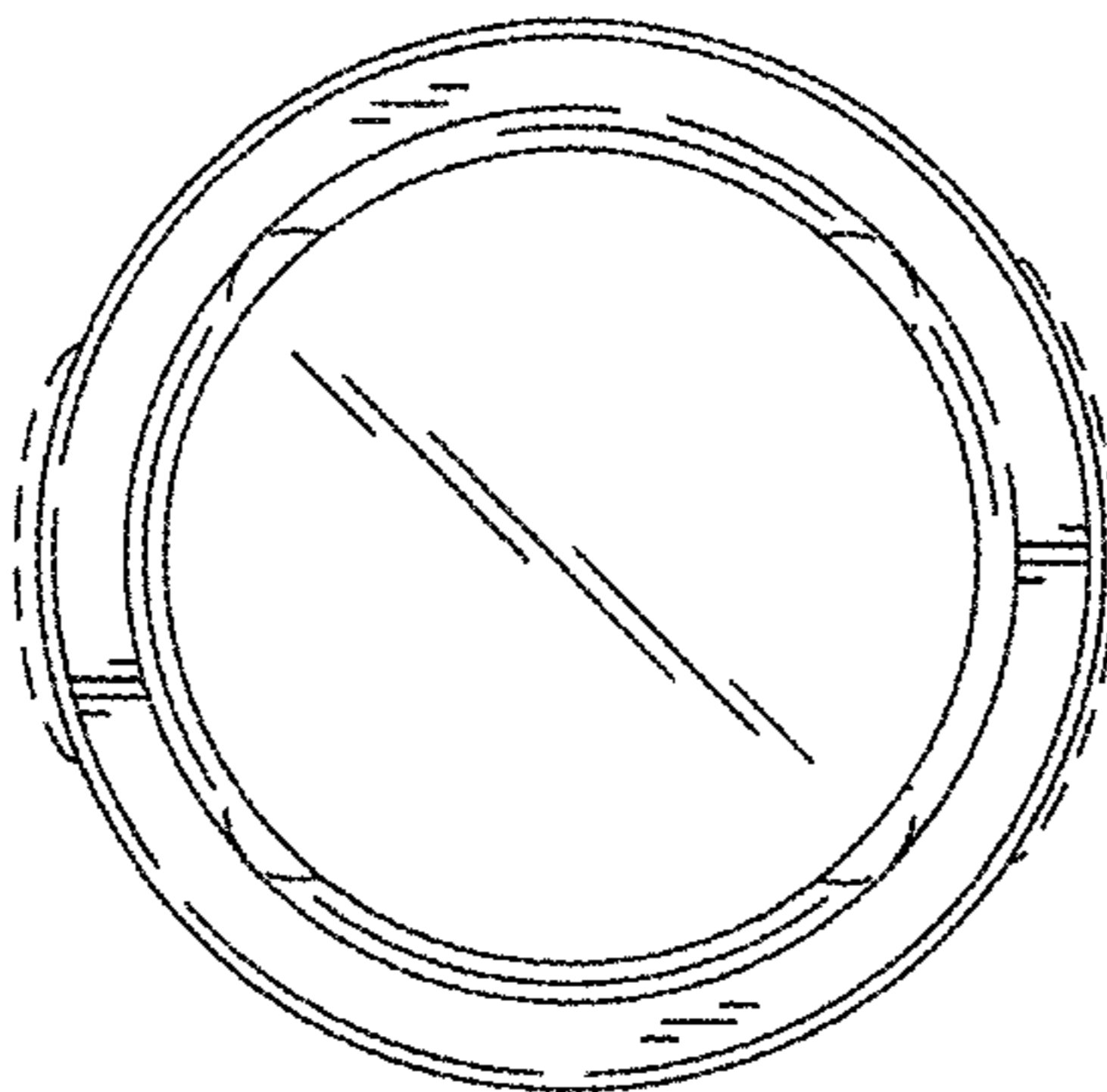


FIG. 7