



US00D940933S

(12) **United States Design Patent**
Willing et al.

(10) **Patent No.:** **US D940,933 S**
(45) **Date of Patent:** **** Jan. 11, 2022**

(54) **VEHICLE CENTER HIGH MOUNT BRAKE LIGHT**

- (71) Applicant: **Ford Global Technologies, LLC**, Dearborn, MI (US)
- (72) Inventors: **Todd Willing**, East Melbourne (AU); **Paul Wraith**, West Bloomfield, MI (US); **Dong H. Park**, Canton, MI (US); **Anthony Meyer**, Royal Oak, MI (US); **Martin B. Coons**, Detroit, MI (US)
- (73) Assignee: **Ford Global Technologies, LLC**, Dearborn, MI (US)

(**) Term: **15 Years**

(21) Appl. No.: **29/747,545**

(22) Filed: **Aug. 24, 2020**

(51) **LOC (13) Cl.** **26-06**

(52) **U.S. Cl.**
USPC **D26/31**

(58) **Field of Classification Search**
USPC D26/28-36, 139
CPC F21S 48/00; F21S 48/10; F21S 48/115;
F21S 48/225; F21S 48/1233; F21S 48/1266; F21S 48/1388; F21S 48/2268;
F21V 21/04; F21V 29/004; B60Q 9/13; B60Q 9/135; B60Q 9/1375
See application file for complete search history.

(56) **References Cited**

U.S. PATENT DOCUMENTS

D400,992 S	*	11/1998	Ruminski	D26/31
D459,010 S	*	6/2002	Holmberg	D26/31
D576,754 S	*	9/2008	Wang	D26/31
D653,783 S	*	2/2012	Biro	D26/31
D676,990 S	*	2/2013	Adams	D26/31

OTHER PUBLICATIONS

- Unknown, My observations from seeing see the actual 4-door Bronco raw, unpainted sheet metal shell, Feb. 15, 2020 <https://www.bronco6g.com/forum/threads/my-observations-from-seeing-see-the-actual-4-door-bronco-raw-unpainted-sheet-metal-shell.1048/>.
- Unknown, Here's the 2021 Bronco's Tail Light Shape Illuminated, Feb. 19, 2020 <https://www.bronco6g.com/forum/threads/heres-the-2021-broncos-tail-light-shape-illuminated.1071/>.
- Unknown, 2021 Bronco Interior Spied Undisguised!!, Feb. 25, 2020 <https://www.bronco6g.com/forum/threads/2021-bronco-interior-spied-undisguised.1096/>.
- Arrian Padeanu, 2021 Ford Bronco Gets Five Adventure Concepts To Mark SUVs Birthday, Aug. 13, 2020 <https://www.motor1.com/news/438885/2021-ford-bronco-adventure-concepts>.

* cited by examiner

Primary Examiner — Marcus A Jackson

(74) *Attorney, Agent, or Firm* — Michael Spenner

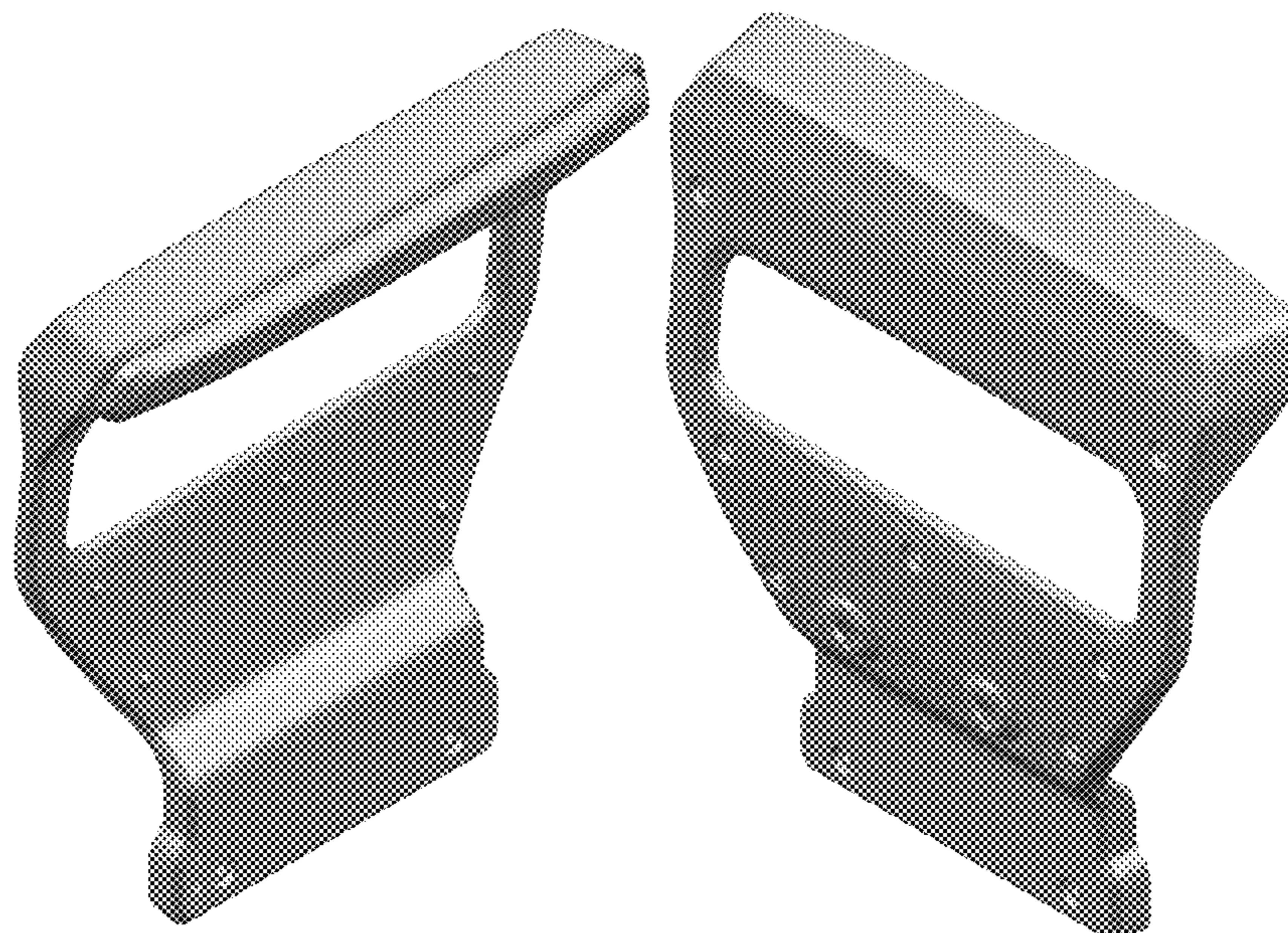
(57) **CLAIM**

The ornamental design for a vehicle center high mount brake light, as shown and described.

DESCRIPTION

FIG. 1 is a front elevational view of a vehicle center high mount brake light, showing our new design;
FIG. 2 is a rear elevational view thereof;
FIG. 3 is a left side elevational view thereof;
FIG. 4 is a right side elevational view thereof;
FIG. 5 is a top plan view thereof;
FIG. 6 is a bottom plan view thereof;
FIG. 7 is a top, front and right side perspective view thereof;
FIG. 8 is a top, front and left side perspective view thereof;
and,
FIG. 9 is a top, rear and left side perspective view thereof.

1 Claim, 9 Drawing Sheets



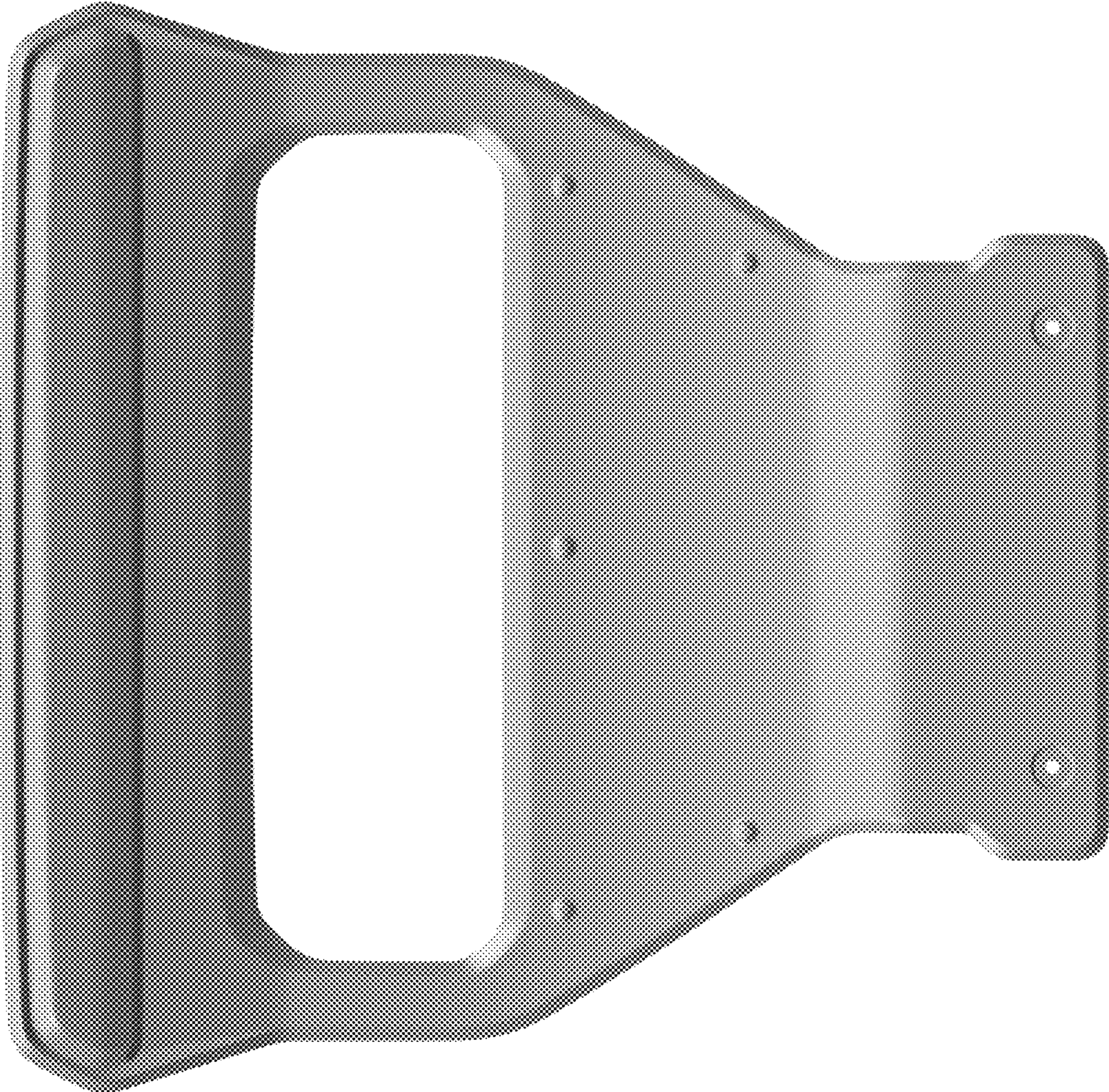


Fig.1

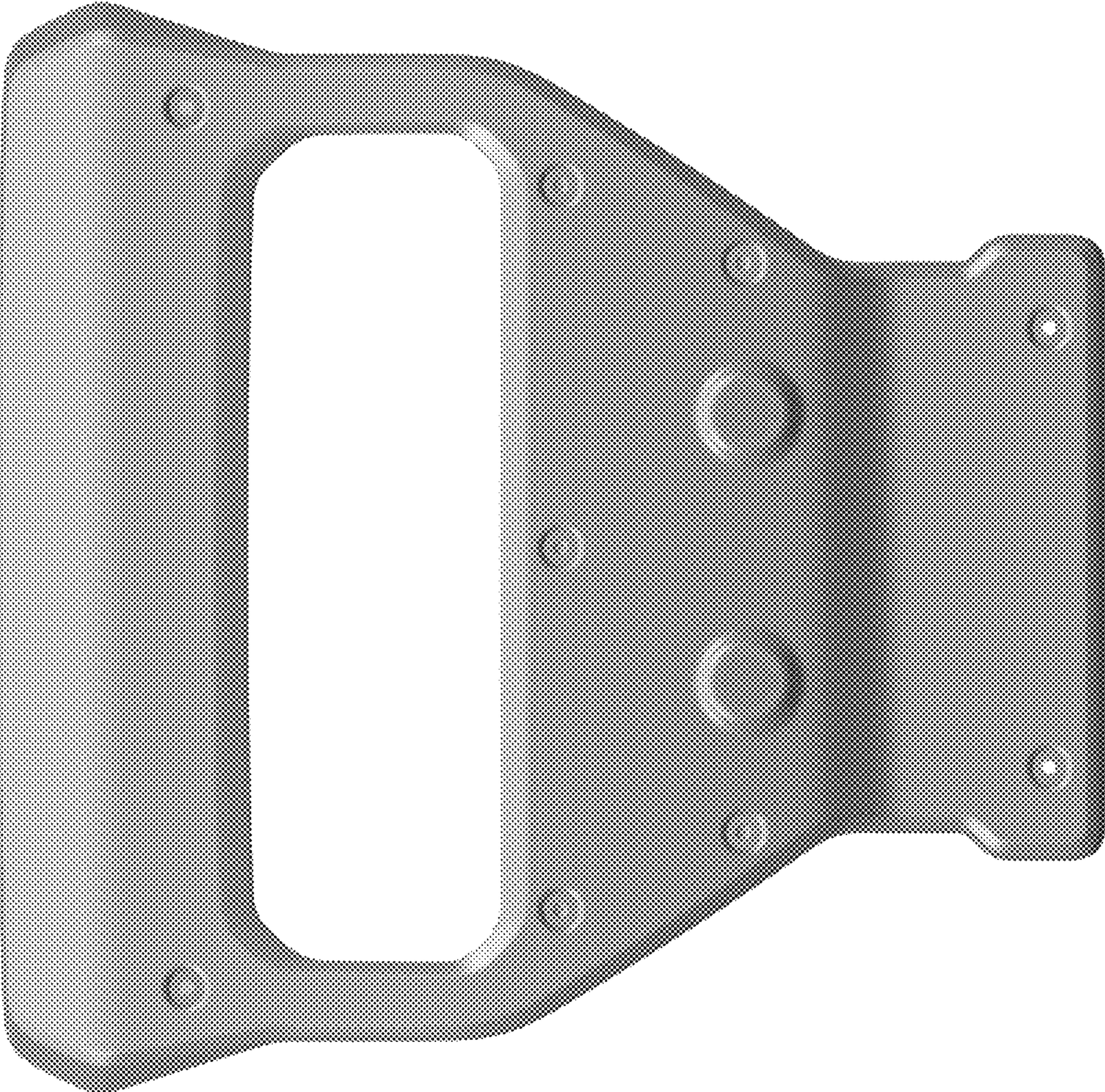


Fig.2

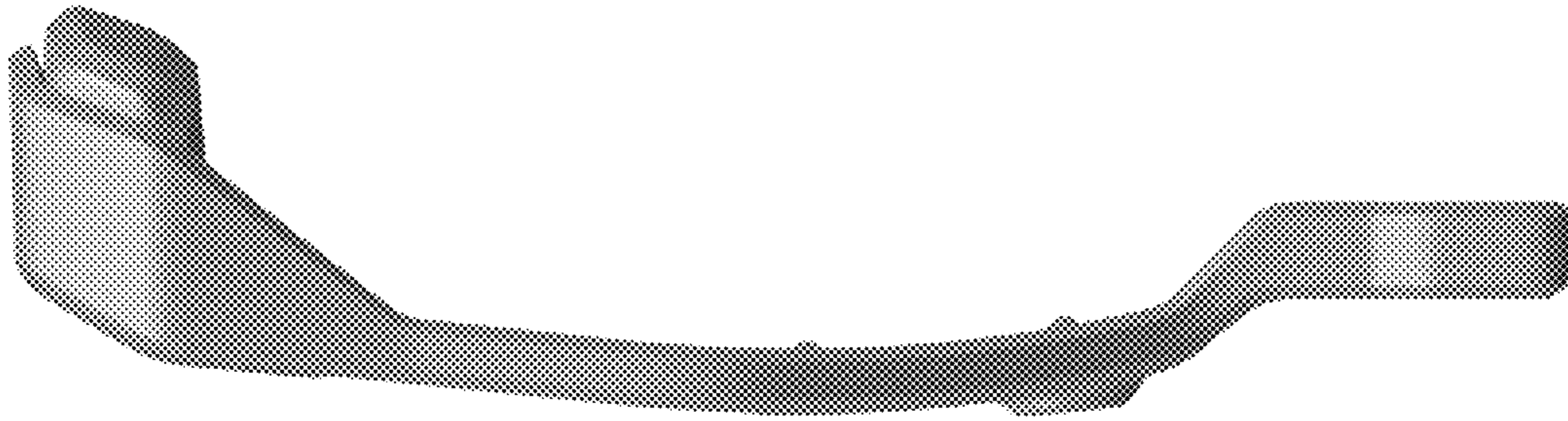


Fig. 3



Fig. 4

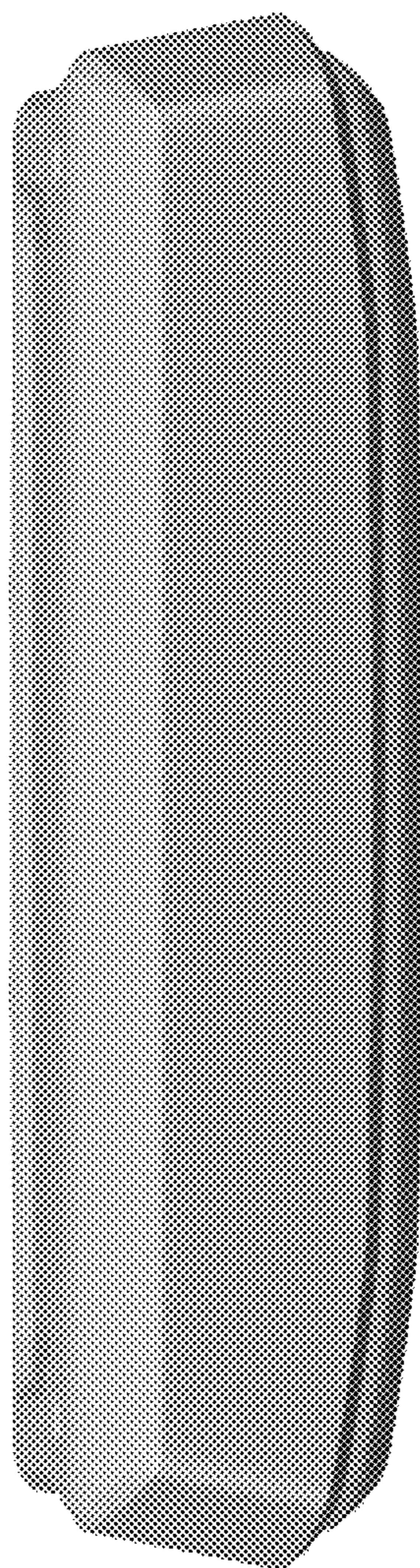


Fig. 5

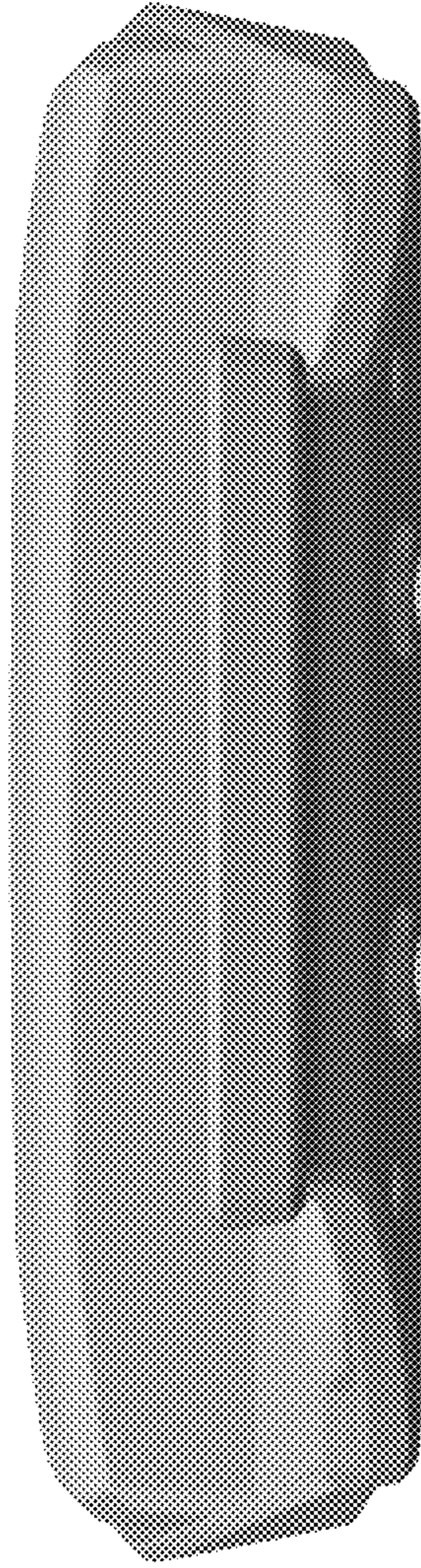


Fig. 6

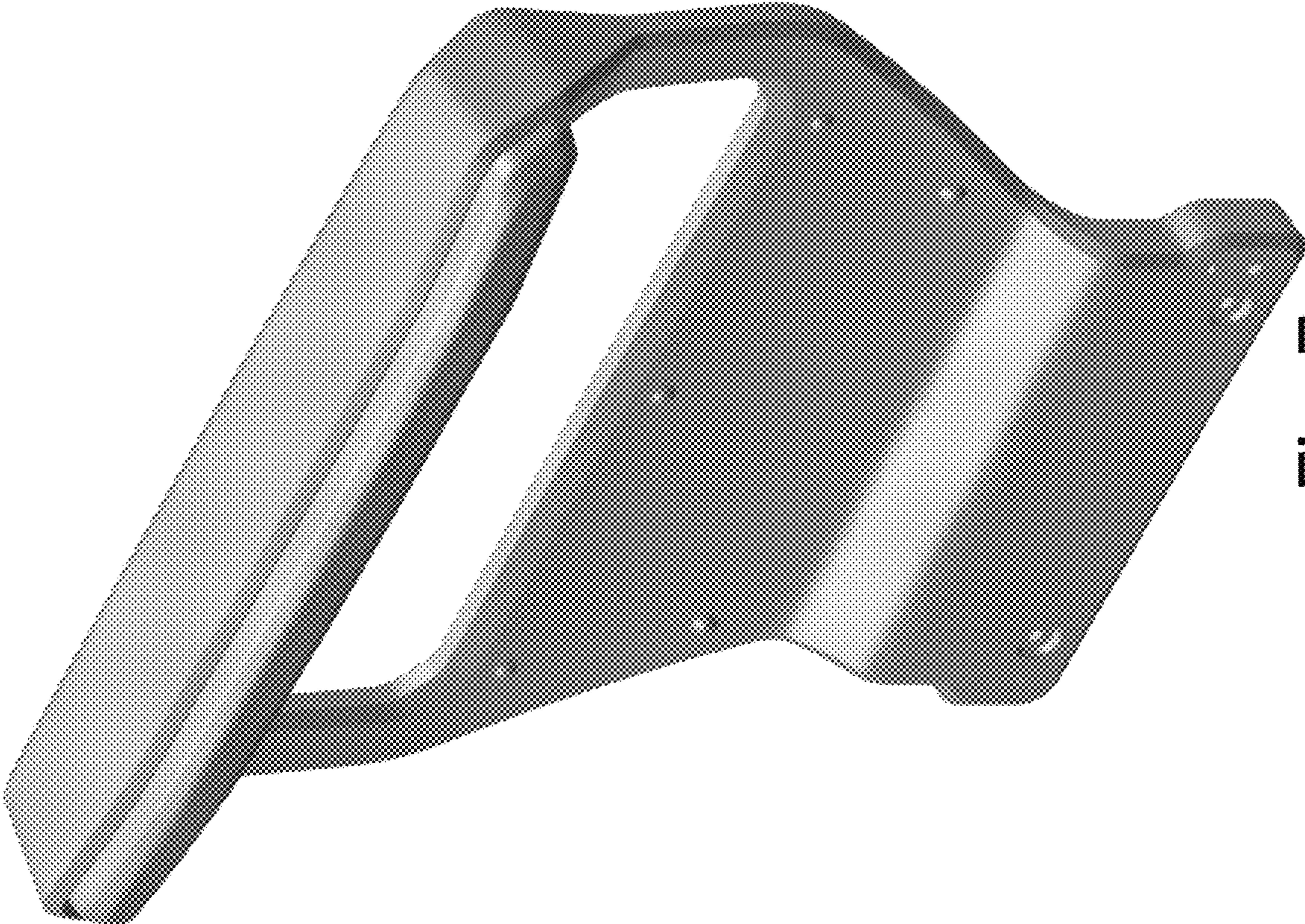


Fig. 7

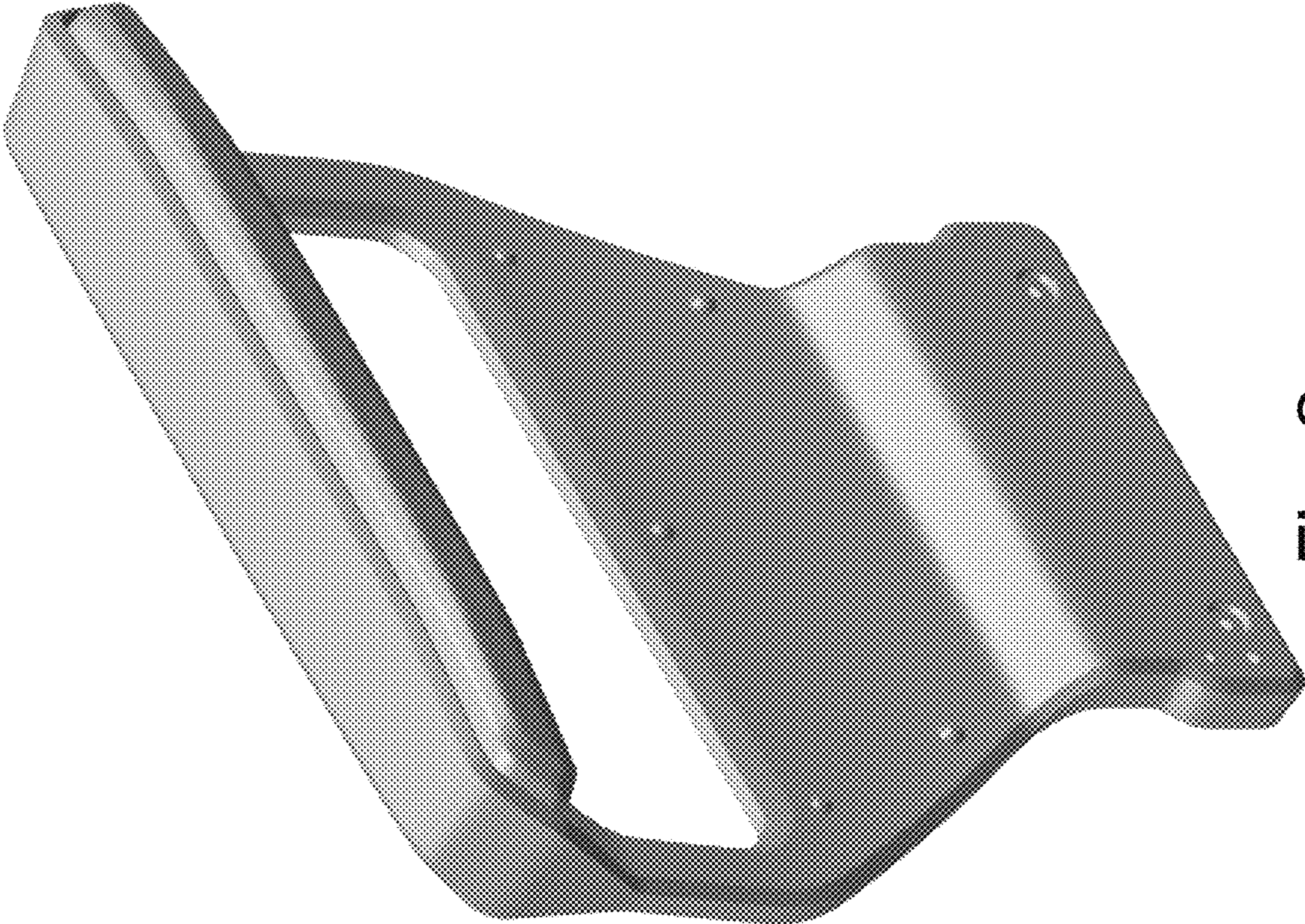


Fig. 8

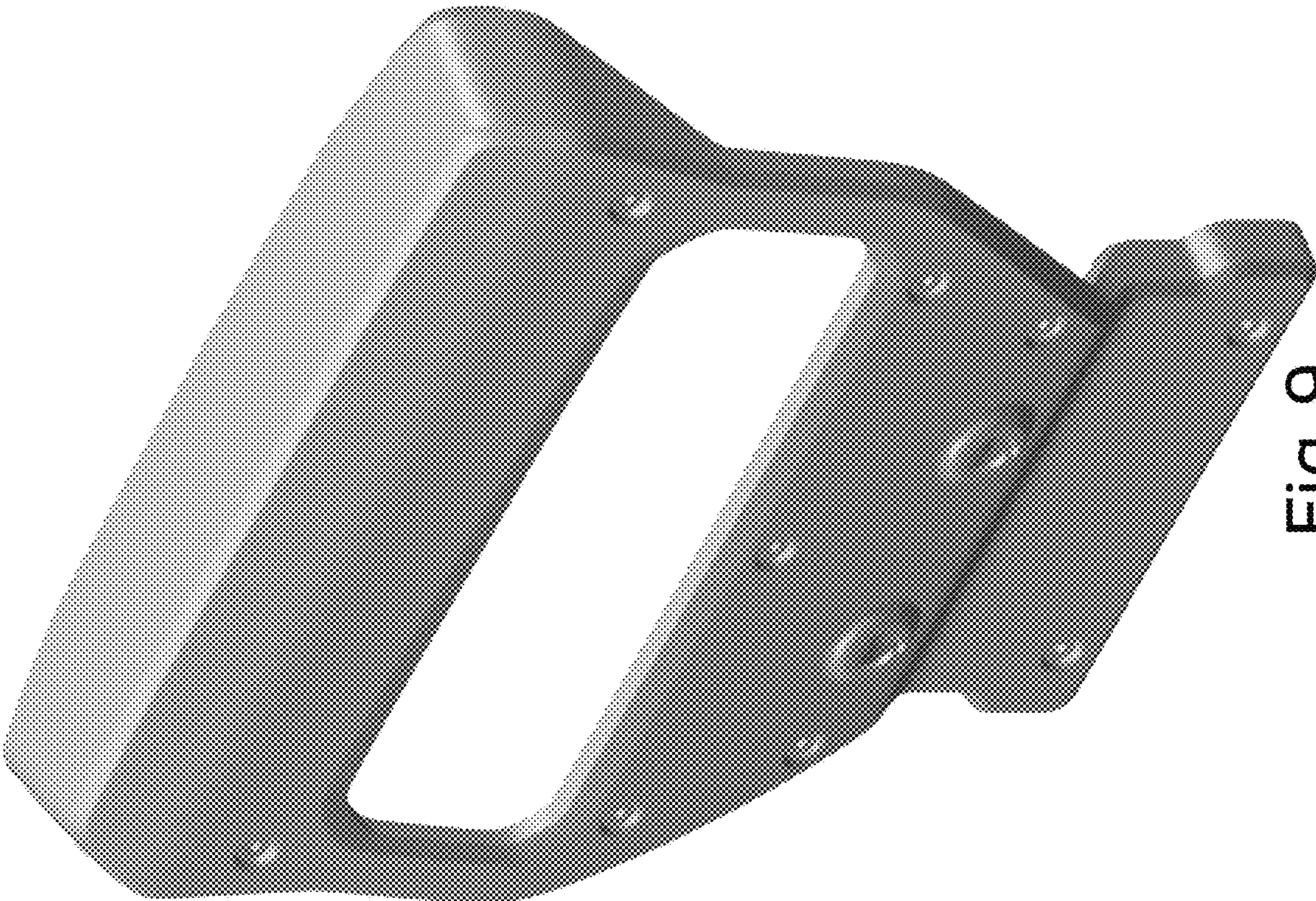


Fig. 9