



US00D940931S

(12) **United States Design Patent**
Ha et al.

(10) **Patent No.:** **US D940,931 S**
(45) **Date of Patent:** **** Jan. 11, 2022**

(54) **REAR COMBINATION LAMP FOR AN AUTOMOBILE**
(71) Applicants: **Kia Motors Corporation**, Seoul (KR);
Hyundai Motor Company, Seoul (KR)
(72) Inventors: **Ji Won Ha**, Suwon-si (KR); **Jae Uk Cho**, Suwon-si (KR)
(73) Assignees: **Kia Motors Corporation**, Seoul (KR);
Hyundai Motor Company, Seoul (KR)
(**) Term: **15 Years**

D492,430 S *	6/2004	Tada	D26/28
D509,609 S *	9/2005	Metros	D26/28
D526,425 S *	8/2006	Kubota	D26/28
D526,426 S *	8/2006	Fukui	D26/28
D528,235 S *	9/2006	Kato	D26/28
D536,808 S *	2/2007	Hsu	D26/28
D537,964 S *	3/2007	Ishiguro	D26/28
D539,449 S *	3/2007	Suzuki	D26/28
D573,280 S *	7/2008	Hiranaka	D26/28
D581,072 S *	11/2008	Hatake	D26/28
D590,968 S *	4/2009	Ryousuke	D26/28
D601,732 S *	10/2009	Han	D26/28
D602,618 S *	10/2009	Krugger	D26/28
D617,922 S *	6/2010	Miyata	D26/28
D619,742 S *	7/2010	Kusamoto	D26/28

(Continued)

(21) Appl. No.: **35/510,730**

(22) Filed: **May 8, 2020**

(80) **Hague Agreement Data**

Int. Filing Date: **May 8, 2020**
Int. Reg. No.: **DM/208298**
Int. Reg. Date: **May 8, 2020**
Int. Reg. Pub. Date: **Nov. 13, 2020**

(30) **Foreign Application Priority Data**

Jan. 30, 2020 (KR) 30-2020-0004050

(51) **LOC (13) Cl.** **26-06**

(52) **U.S. Cl.**
USPC **D26/28**

(58) **Field of Classification Search**
USPC D26/28, 29, 34, 35, 36
CPC B60Q 1/30; B60Q 1/2607; B60Q 1/2619;
B60Q 1/2696; F21S 41/00; F21S 41/20;
F21S 41/30; F21S 43/14; F21S 43/15;
F21S 43/20

See application file for complete search history.

(56) **References Cited**

U.S. PATENT DOCUMENTS

4,153,928 A * 5/1979 Speedy F21S 48/2218
362/300
4,994,942 A * 2/1991 Georgeff B60Q 1/2607
362/368

OTHER PUBLICATIONS

2021 Hyundai Elantra Halogen Outer Tail Light Left Driver Side
92401-AB000 OEM, ebay.com, <https://www.ebay.com/itm/234084919655> (Year: 2021).*

Primary Examiner — Steven J Czyz

(74) *Attorney, Agent, or Firm* — Mintz Levin Cohn Ferris
Glovsky and Popeo, P.C.; Peter F. Corless

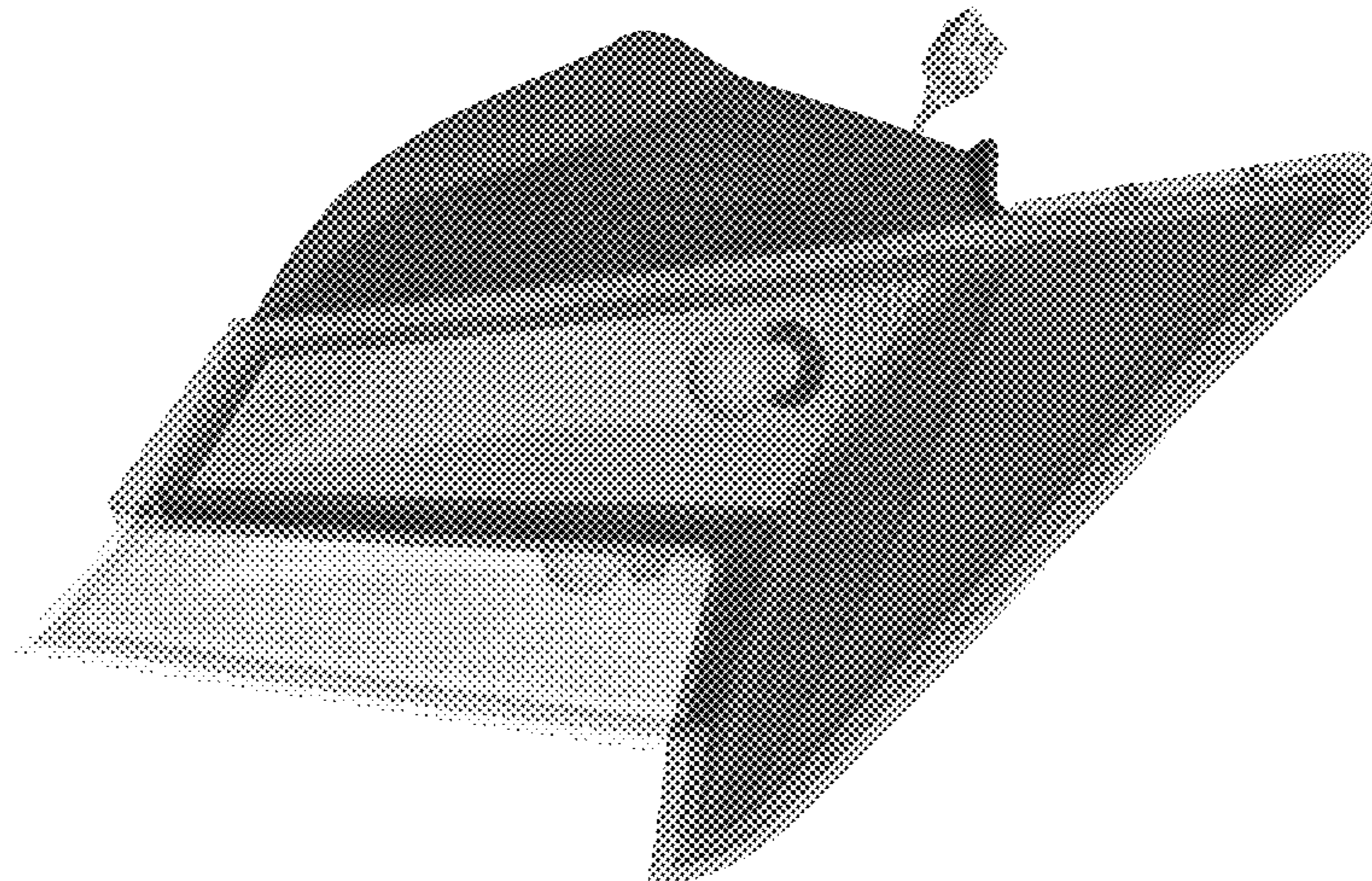
(57) **CLAIM**

The ornamental design for a rear combination lamp for an automobile, as shown and described.

DESCRIPTION

1. Rear combination lamp for an automobile
 - 1.1 : Perspective
 - 1.2 : Front
 - 1.3 : Back
 - 1.4 : Left
 - 1.5 : Right
 - 1.6 : Top
 - 1.7 : Bottom

1 Claim, 7 Drawing Sheets



(56)

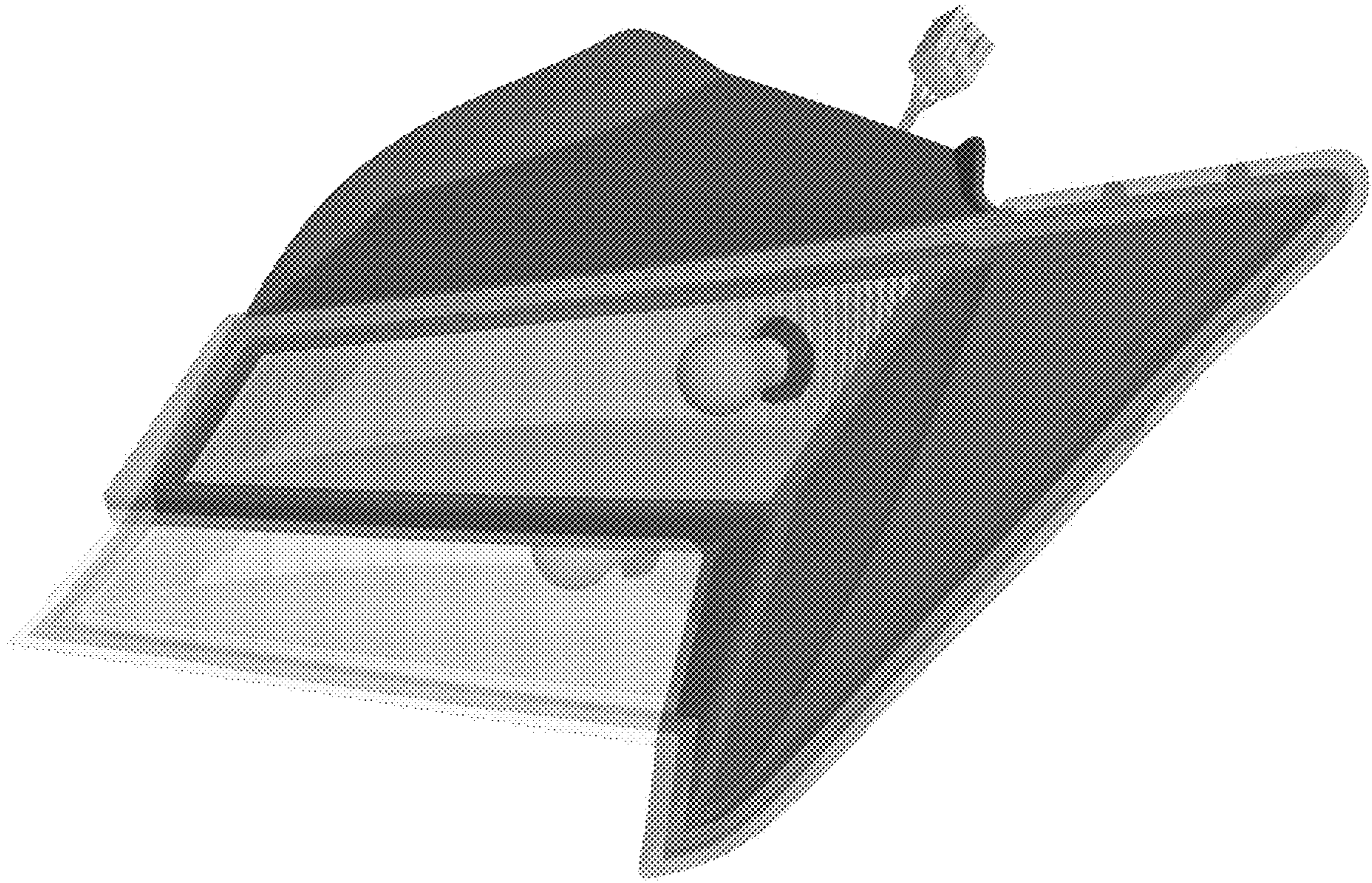
References Cited

U.S. PATENT DOCUMENTS

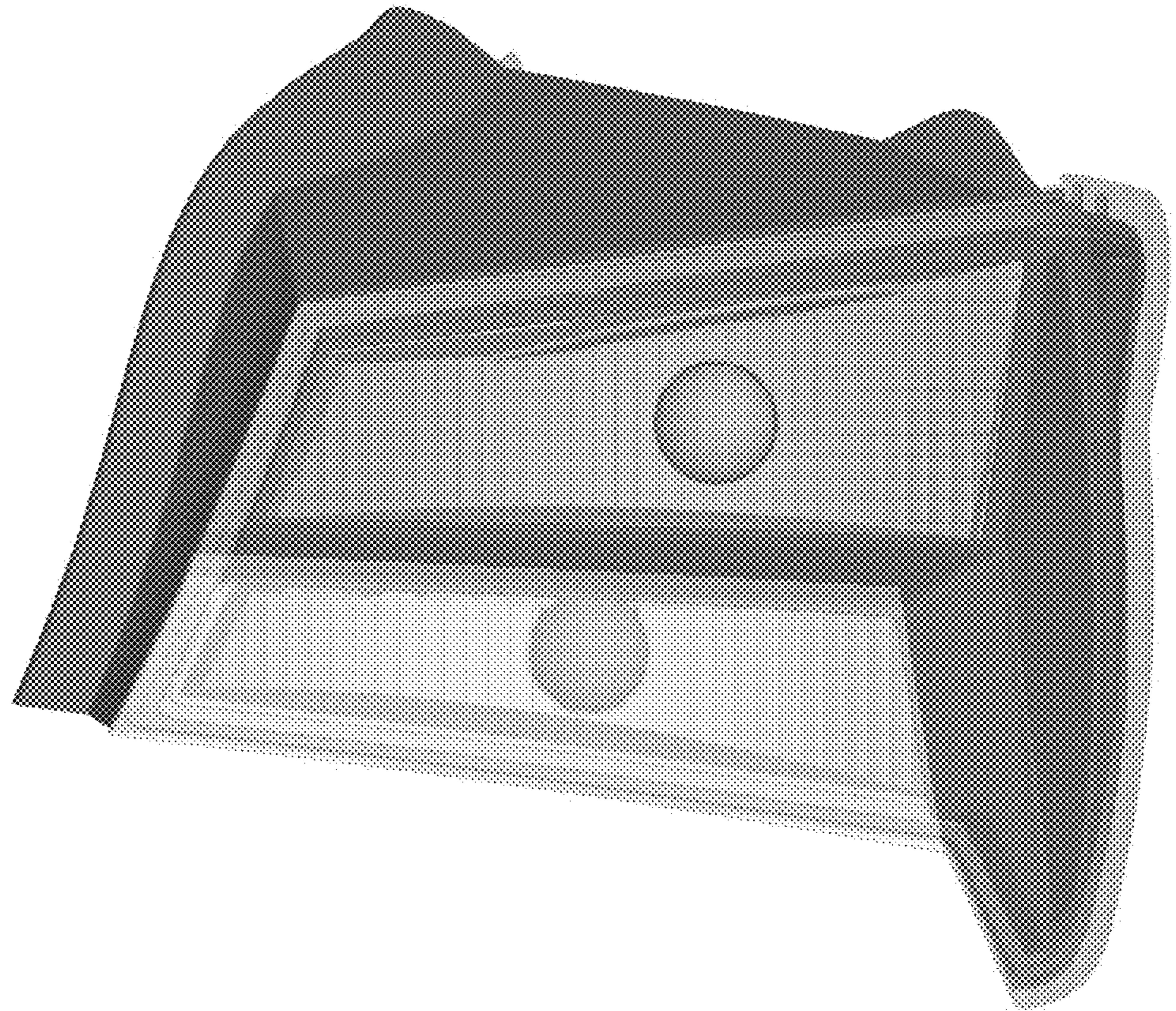
D908,259	S	*	1/2021	Chan	D26/28
D909,631	S	*	2/2021	Tonello	D26/28
D912,865	S	*	3/2021	Wu	D26/28
D913,536	S	*	3/2021	Koo	D26/28
D913,548	S	*	3/2021	Yang	D26/28
D914,256	S	*	3/2021	Kim	D26/28
D917,750	S	*	4/2021	Yang	D26/28
D919,136	S	*	5/2021	Park	D26/28
D919,841	S	*	5/2021	Lin	D26/28
D919,843	S	*	5/2021	Lin	D26/28
D919,851	S	*	5/2021	Kaoud	D26/28
D919,852	S	*	5/2021	Kaoud	D26/28
D919,853	S	*	5/2021	Kaoud	D26/28
D919,861	S	*	5/2021	Wraith	D26/28
D919,862	S	*	5/2021	Wraith	D26/28
D919,864	S	*	5/2021	Hong	D26/28
D921,238	S	*	6/2021	Meyer	D26/28
D922,632	S	*	6/2021	Lee	D26/28
D923,217	S	*	6/2021	Lee	F21S 43/00 D26/28
D923,218	S	*	6/2021	Lee	D26/28
D925,793	S	*	7/2021	Lin	D26/28
D925,794	S	*	7/2021	Lin	D26/28

* cited by examiner

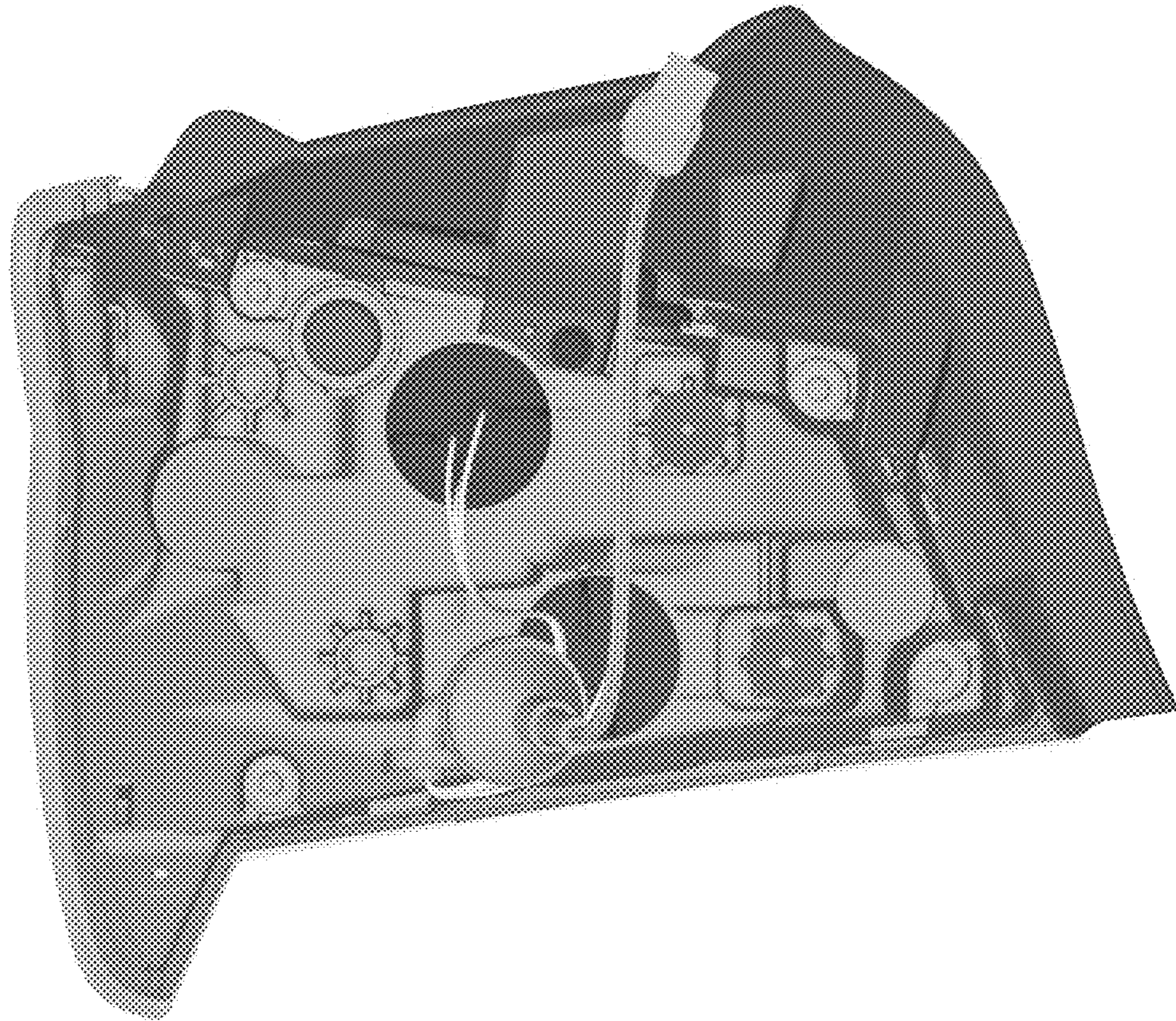
1.1



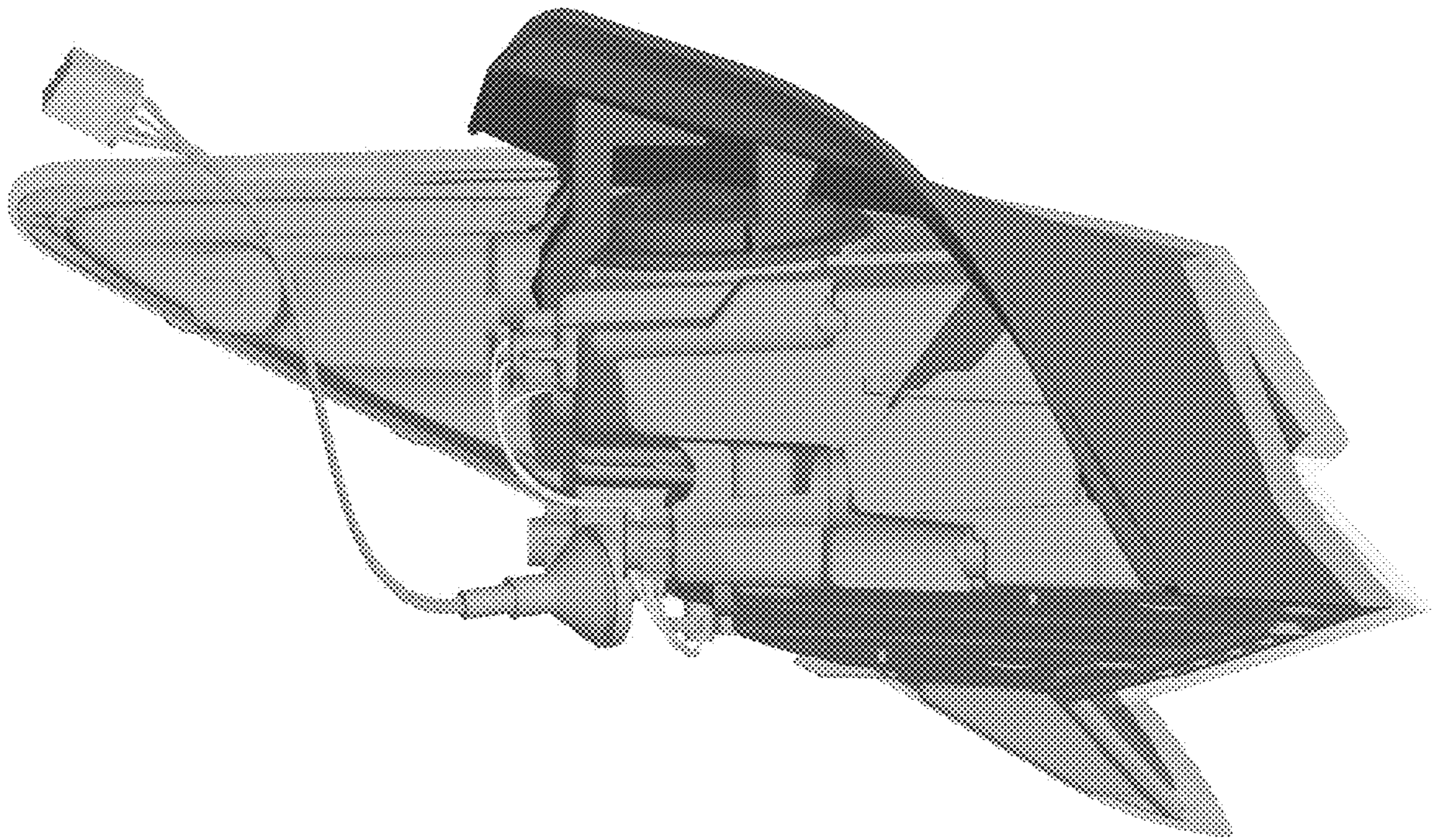
1.2



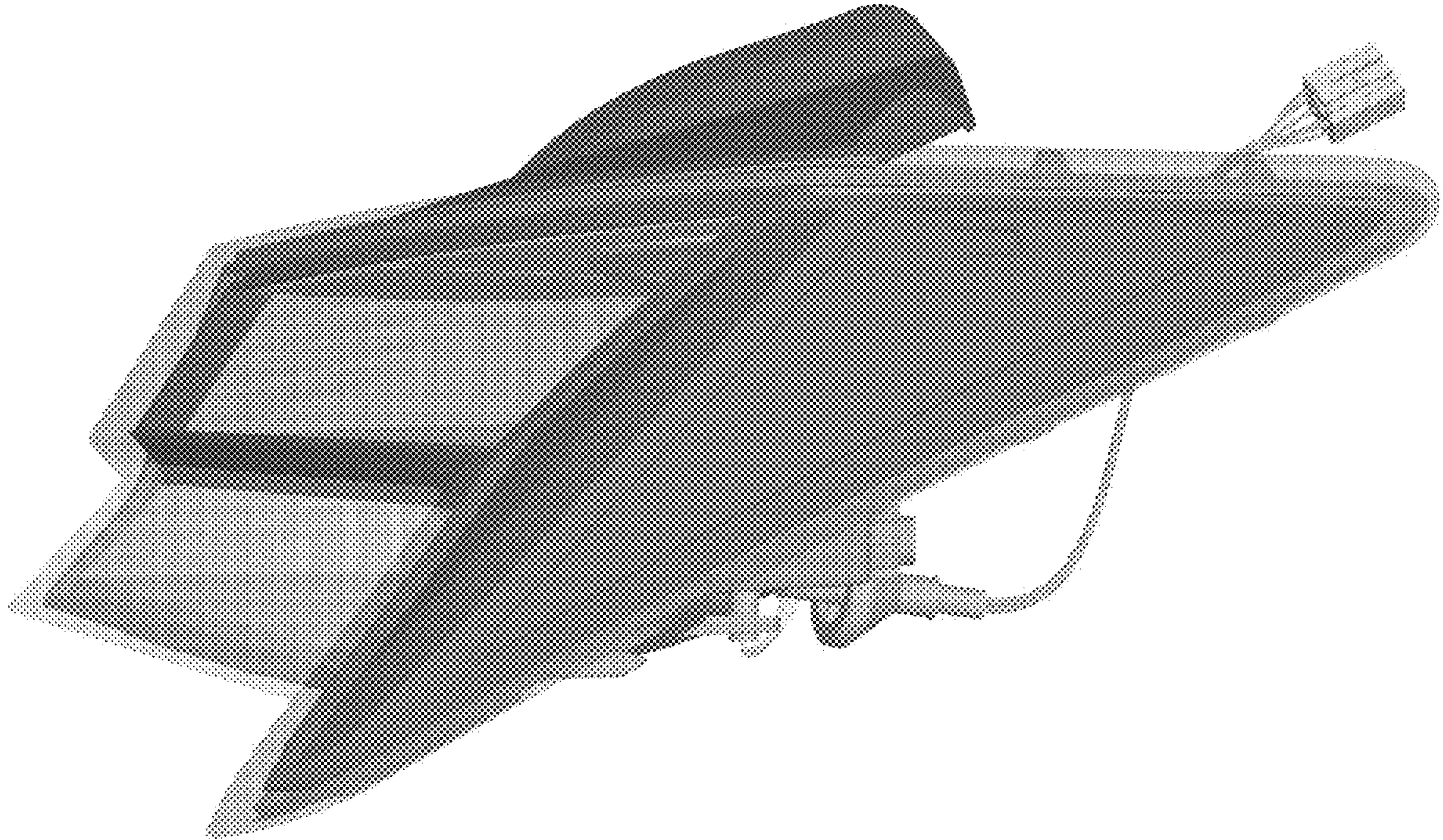
1.3



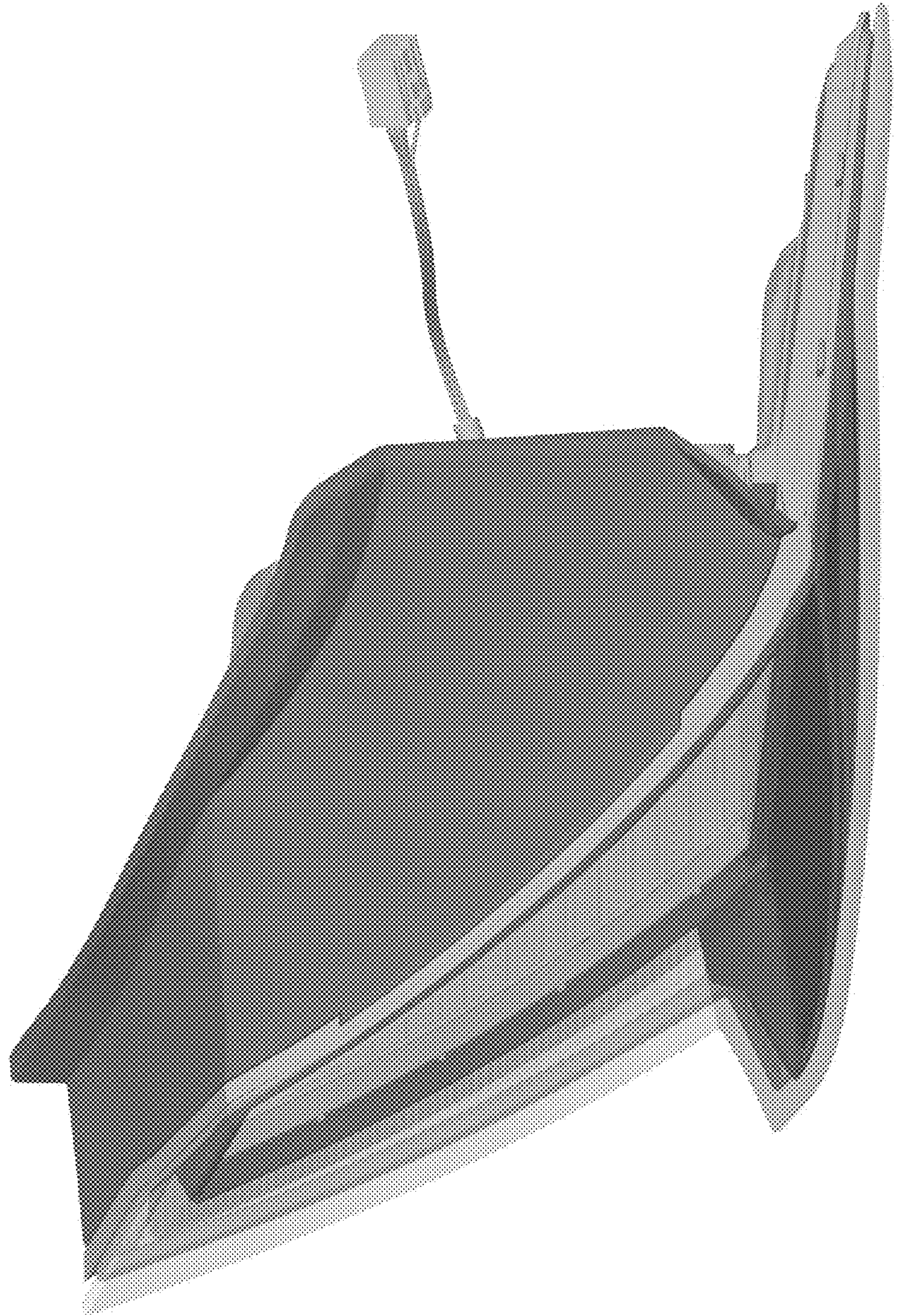
1.4



1.5



1.6



1.7

