



US00D940927S

(12) **United States Design Patent** (10) **Patent No.:** **US D940,927 S**
Leang (45) **Date of Patent:** **** Jan. 11, 2022**

(54) **VEHICLE LIGHT**

(56) **References Cited**

(71) Applicant: **KC IP HOLDINGS, LLC**, Gardena, CA (US)

U.S. PATENT DOCUMENTS

(72) Inventor: **Bobby Leang**, Los Angeles, CA (US)

D511,850 S *	11/2005	Huang	D26/28
D524,463 S *	7/2006	Branstetter	D26/28
D524,464 S *	7/2006	Branstetter	D26/28
D827,887 S *	9/2018	Pan	D26/28
D828,591 S *	9/2018	Wu	D26/28
D840,067 S *	2/2019	Ding	D26/28
D881,428 S *	4/2020	Ko	D26/28

(73) Assignee: **KC HILITES, INC.**, Gardena, CA (US)

* cited by examiner

(**) Term: **15 Years**

Primary Examiner — Marcus A Jackson

(21) Appl. No.: **29/799,155**

(74) *Attorney, Agent, or Firm* — Stetina Brunda Garred & Brucker

(22) Filed: **Jul. 13, 2021**

(57) **CLAIM**

The ornamental design for a vehicle light, as shown and described.

Related U.S. Application Data

DESCRIPTION

(63) Continuation of application No. 29/734,128, filed on May 8, 2020, now Pat. No. Des. 927,745.

(51) **LOC (13) Cl.** **26-06**

(52) **U.S. Cl.**
USPC **D26/28**

(58) **Field of Classification Search**
USPC D26/28-36, 139
CPC F21S 48/00; F21S 48/10; F21S 48/115;
F21S 48/225; F21S 48/1233; F21S 48/1266; F21S 48/1388; F21S 48/2268;
F21V 21/04; F21V 29/004; B60Q 9/13;
B60Q 9/135; B60Q 9/1375

See application file for complete search history.

FIG. 1 is a perspective view showing a vehicle light of the present invention;

FIG. 2 is a front view detailing a bezel of the vehicle light;

FIG. 3 is a right side view of the vehicle light;

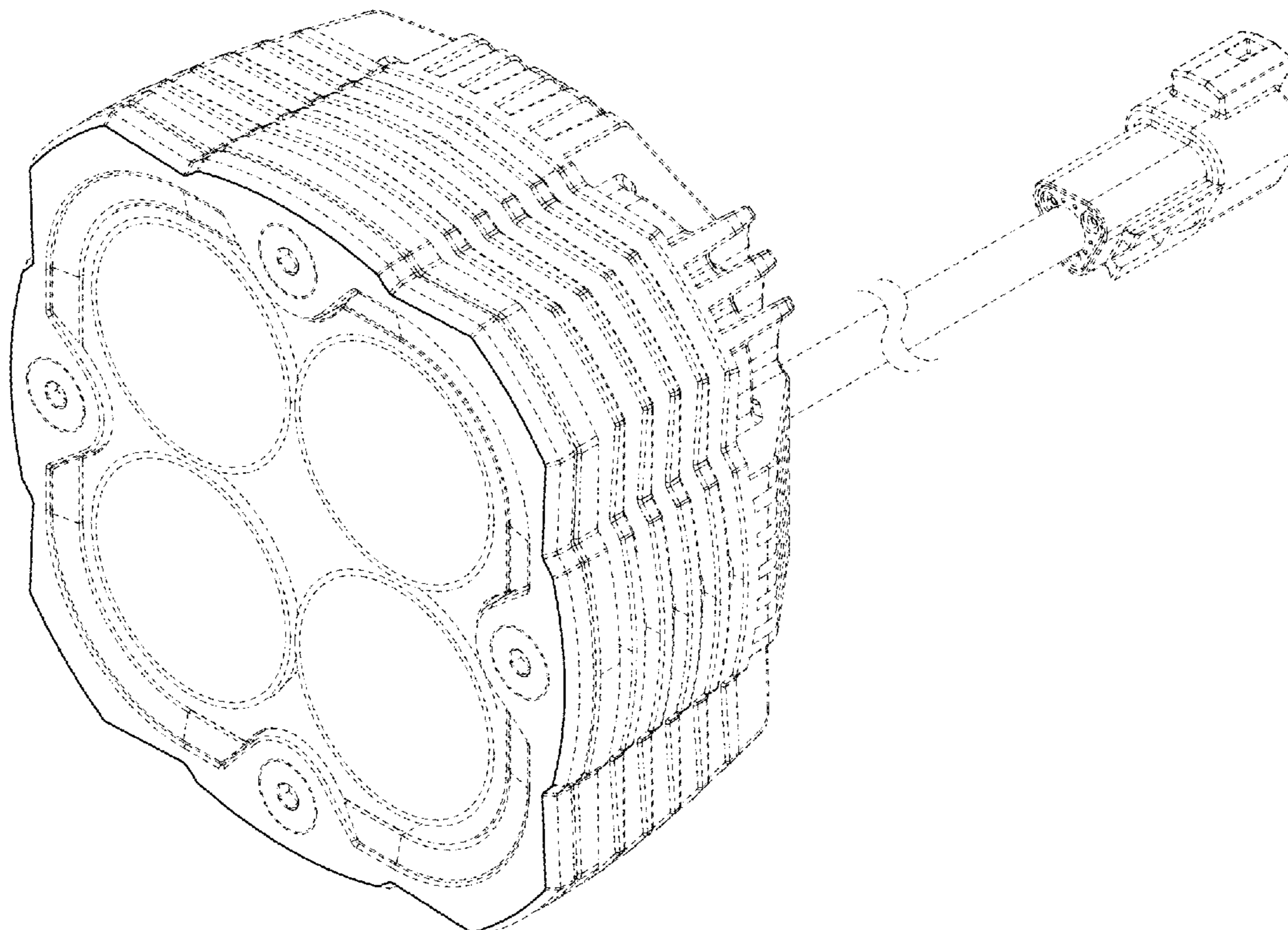
FIG. 4 is a left side view thereof;

FIG. 5 is a top view thereof; and,

FIG. 6 is a bottom view thereof.

In the drawings, the broken line showings are for the purpose of illustrating portions of the vehicle light or environmental structure that form no part of the claimed design.

1 Claim, 4 Drawing Sheets



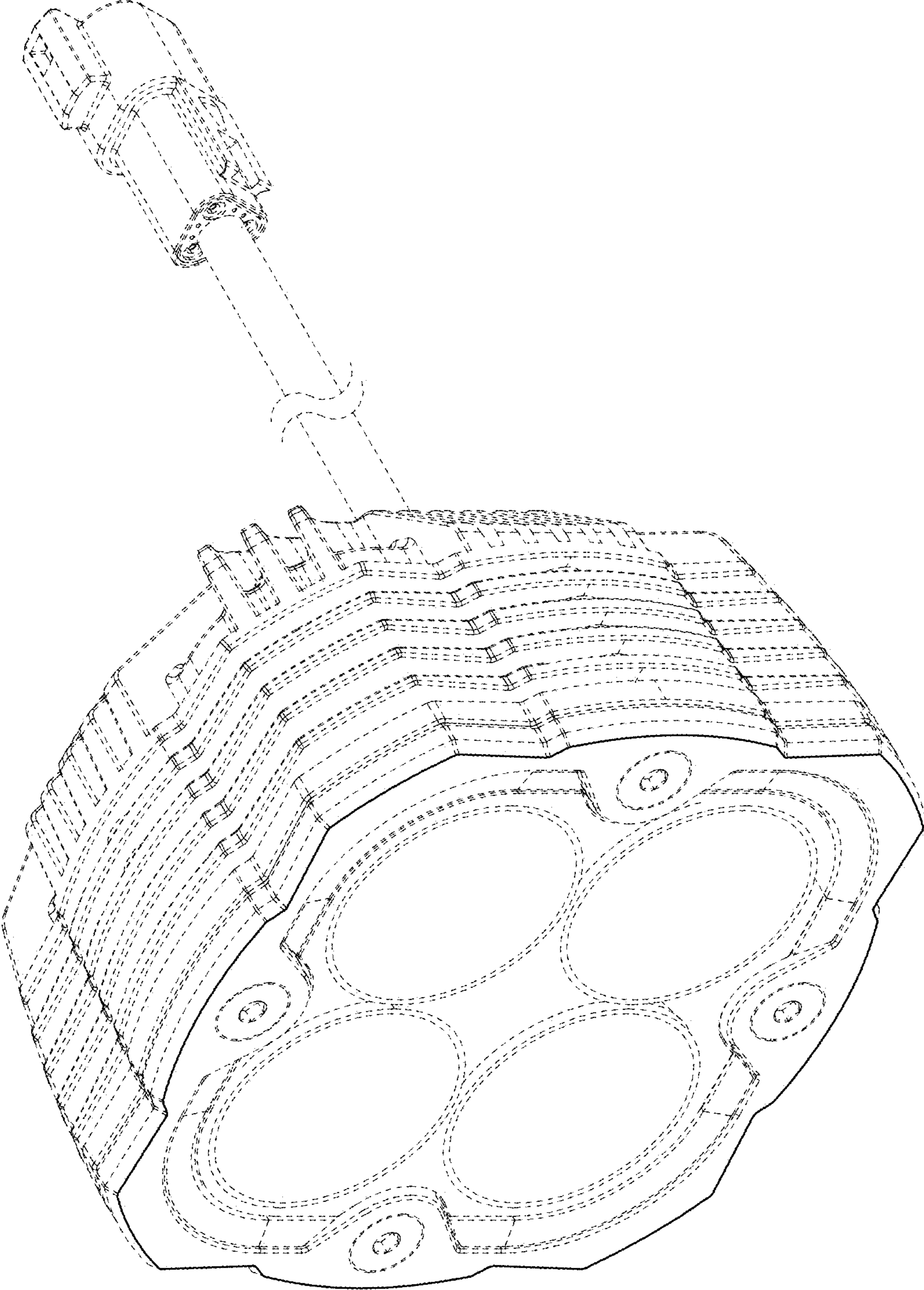


FIG. 1

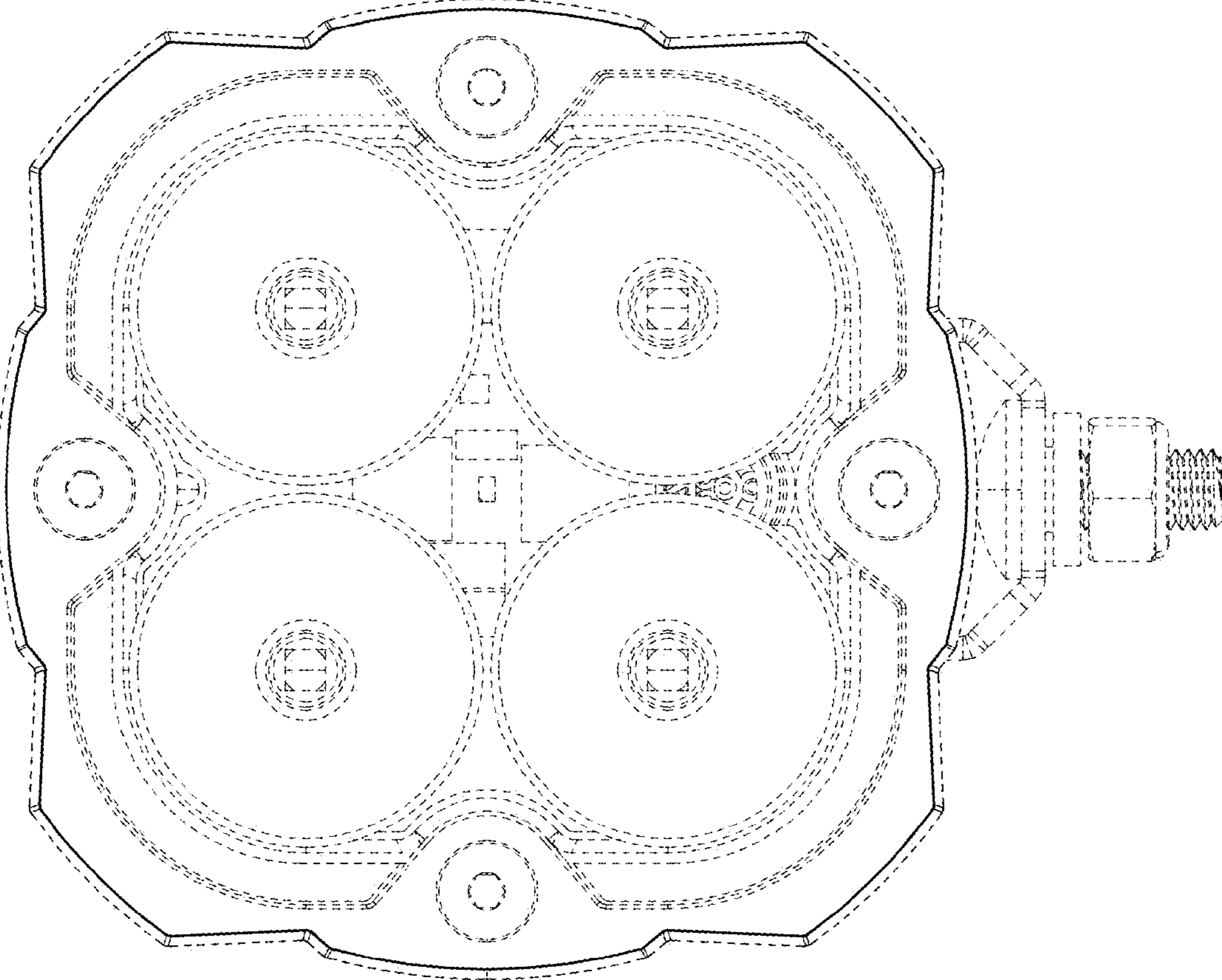


FIG. 2

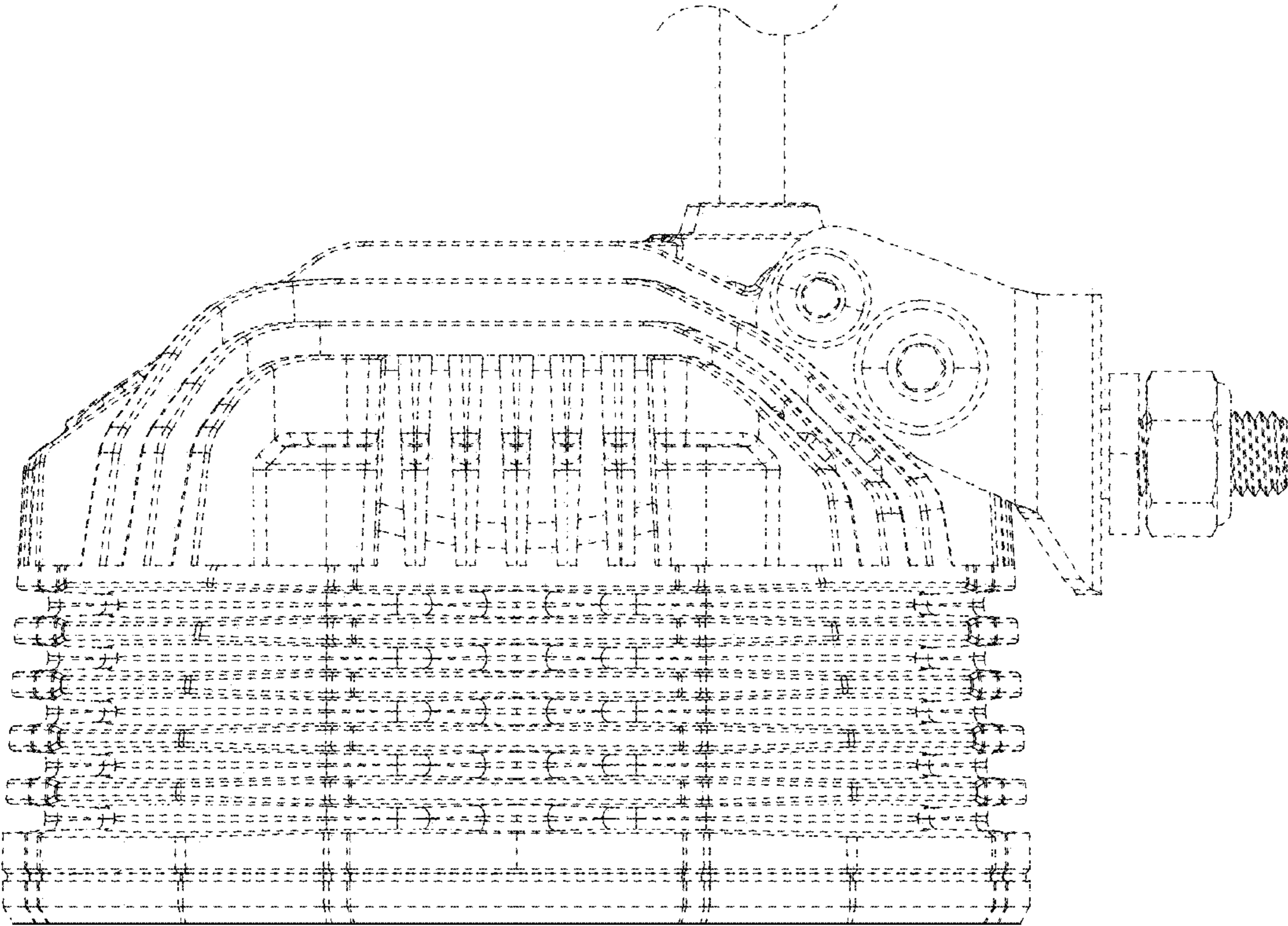


FIG. 4

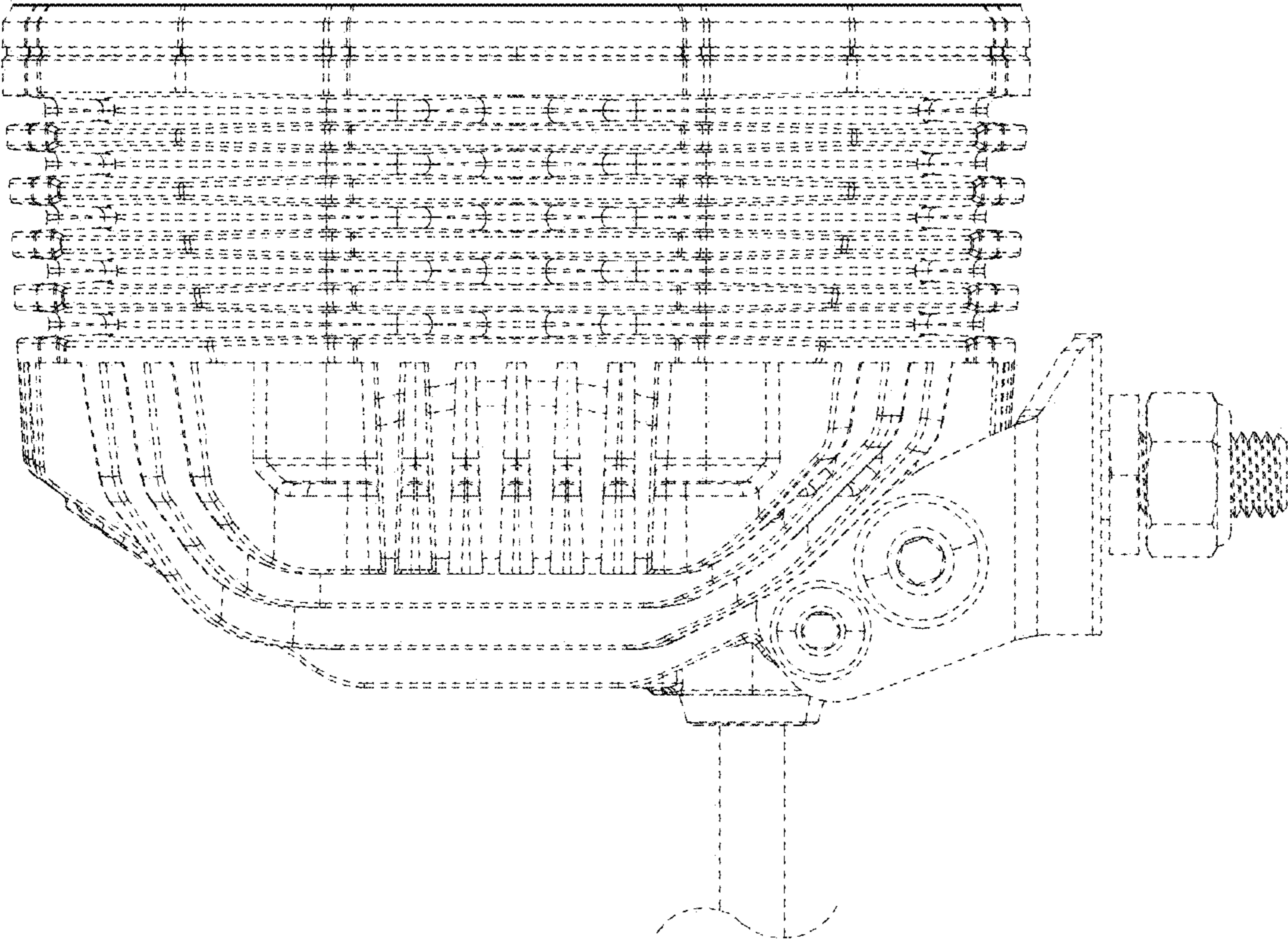


FIG. 3

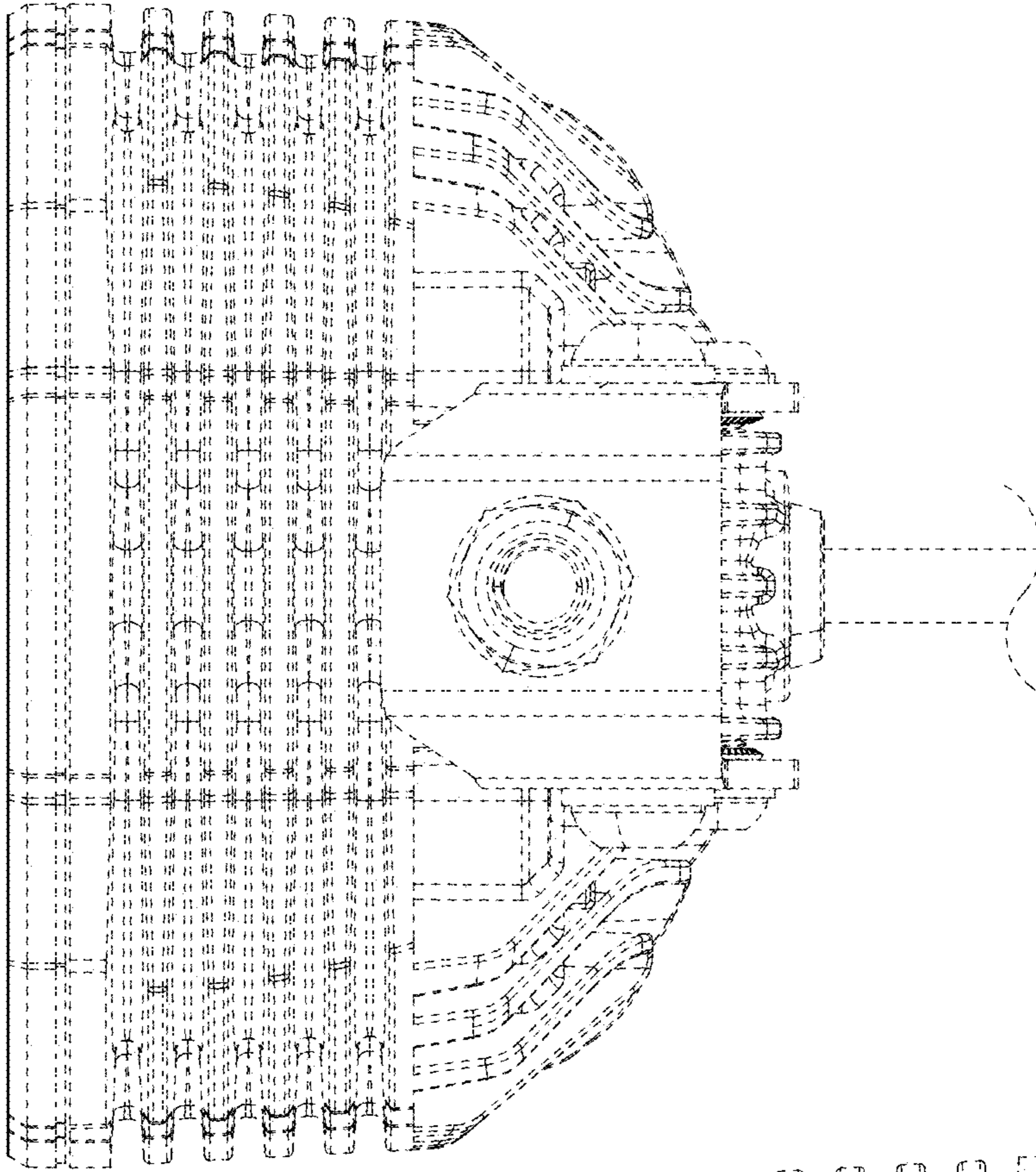


FIG. 6

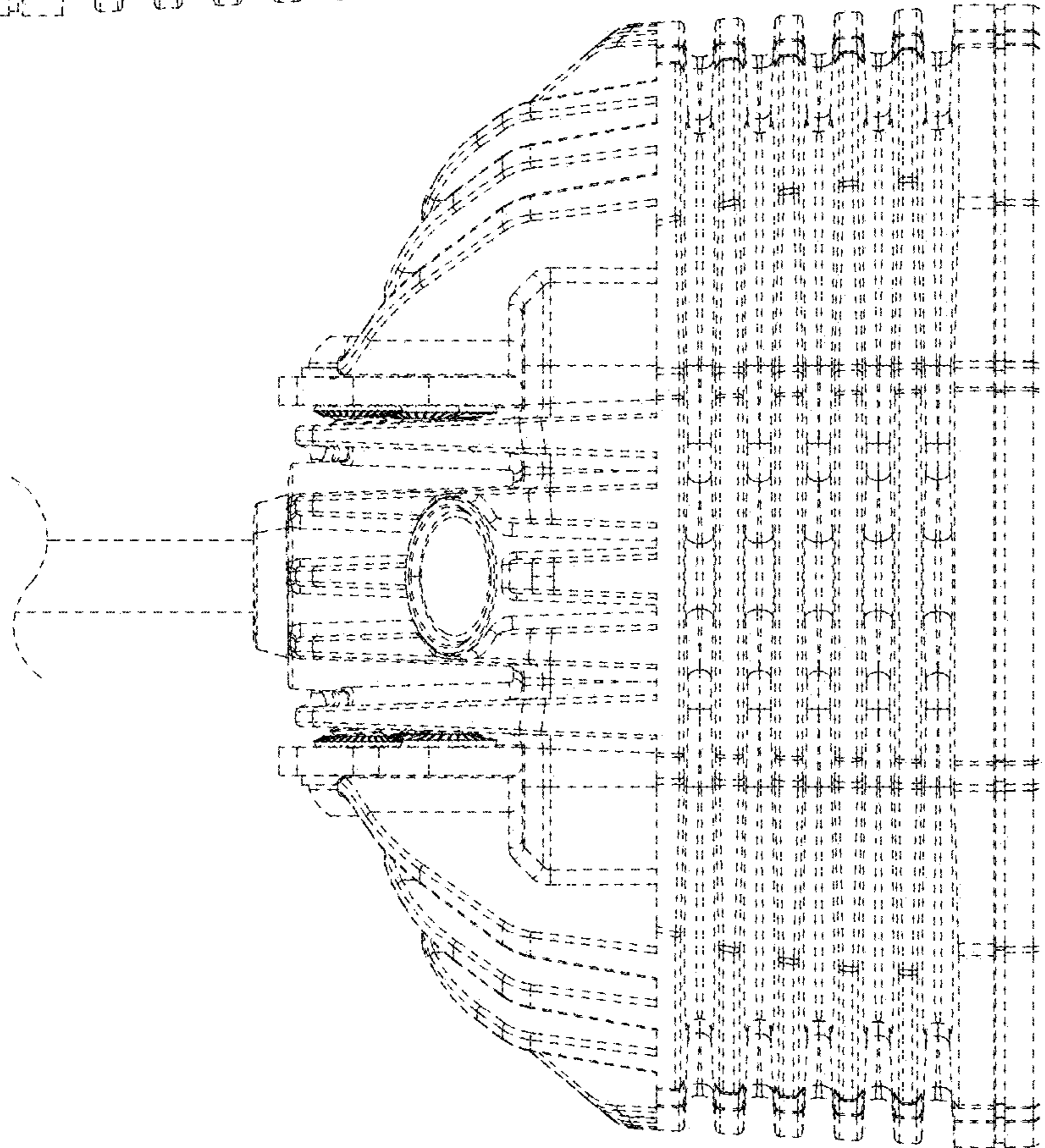


FIG. 5