



US00D940926S

(12) **United States Design Patent**
Leang

(10) **Patent No.:** **US D940,926 S**

(45) **Date of Patent:** **** Jan. 11, 2022**

(54) **VEHICLE LIGHT**

(71) Applicant: **KC IP HOLDINGS, LLC**, Gardena, CA (US)

(72) Inventor: **Bobby Leang**, Los Angeles, CA (US)

(73) Assignee: **KC HILITES, INC.**, Gardena, CA (US)

(**) Term: **15 Years**

(21) Appl. No.: **29/799,151**

(22) Filed: **Jul. 13, 2021**

Related U.S. Application Data

(63) Continuation of application No. 29/734,127, filed on May 8, 2020, now Pat. No. Des. 928,360.

(51) **LOC (13) Cl.** **26-06**

(52) **U.S. Cl.**
USPC **D26/28**

(58) **Field of Classification Search**
USPC D26/28-36, 139
CPC F21S 48/00; F21S 48/10; F21S 48/115;
F21S 48/225; F21S 48/1233; F21S 48/1266; F21S 48/1388; F21S 48/2268;
F21V 21/04; F21V 29/004; B60Q 9/13;
B60Q 9/135; B60Q 9/1375

See application file for complete search history.

(56) **References Cited**

U.S. PATENT DOCUMENTS

D511,850 S *	11/2005	Huang	D26/28
D524,463 S *	7/2006	Branstetter	D26/28
D765,285 S *	8/2016	Lai	D26/28
D827,887 S *	9/2018	Pan	D26/28
D828,591 S *	9/2018	Wu	D26/28
D840,067 S *	2/2019	Ding	D26/28
D881,428 S *	4/2020	Ko	D26/28

* cited by examiner

Primary Examiner — Marcus A Jackson

(74) *Attorney, Agent, or Firm* — Stetina Brunda Garred & Brucker

(57) **CLAIM**

The ornamental design for a vehicle light, as shown and described.

DESCRIPTION

FIG. 1 is a perspective view showing a vehicle light of the present invention;

FIG. 2 is a front view detailing a bezel of the vehicle light;

FIG. 3 is a right side view of the vehicle light;

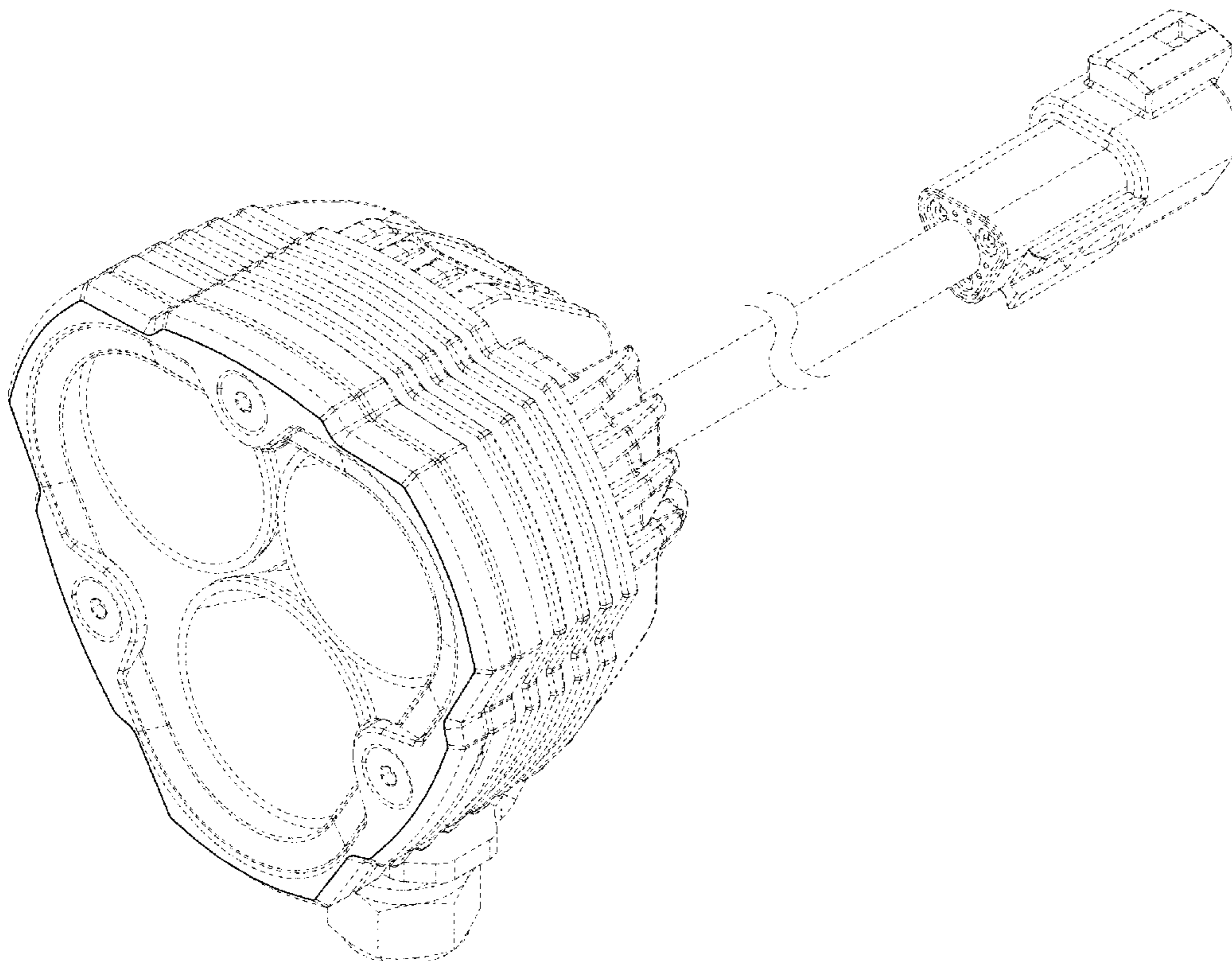
FIG. 4 is a left side view thereof;

FIG. 5 is a top view thereof; and,

FIG. 6 is a bottom view thereof;

In the drawings, the broken line showings are for the purpose of illustrating portions of the vehicle light or environmental structure that form no part of the claimed design.

1 Claim, 4 Drawing Sheets



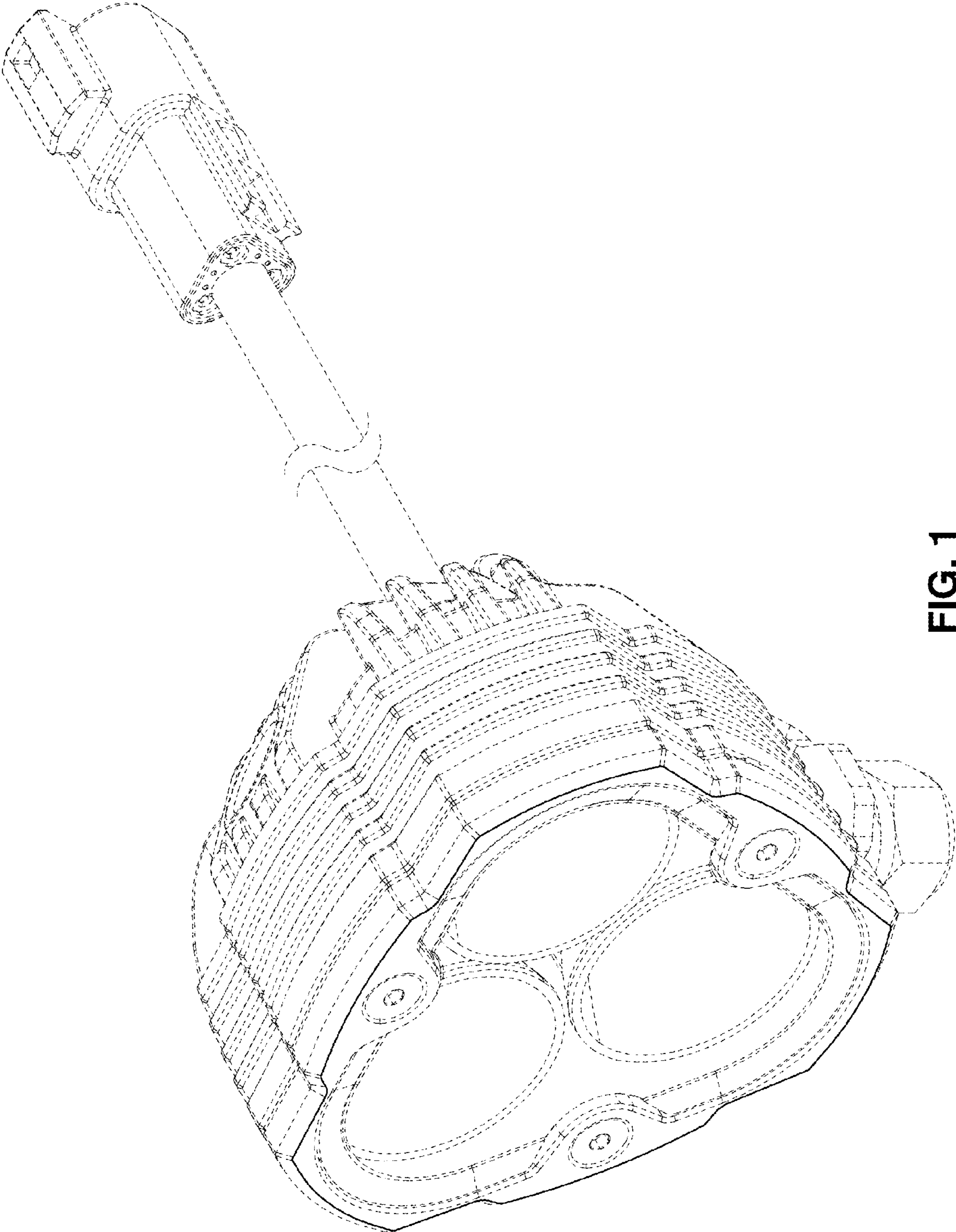


FIG. 1

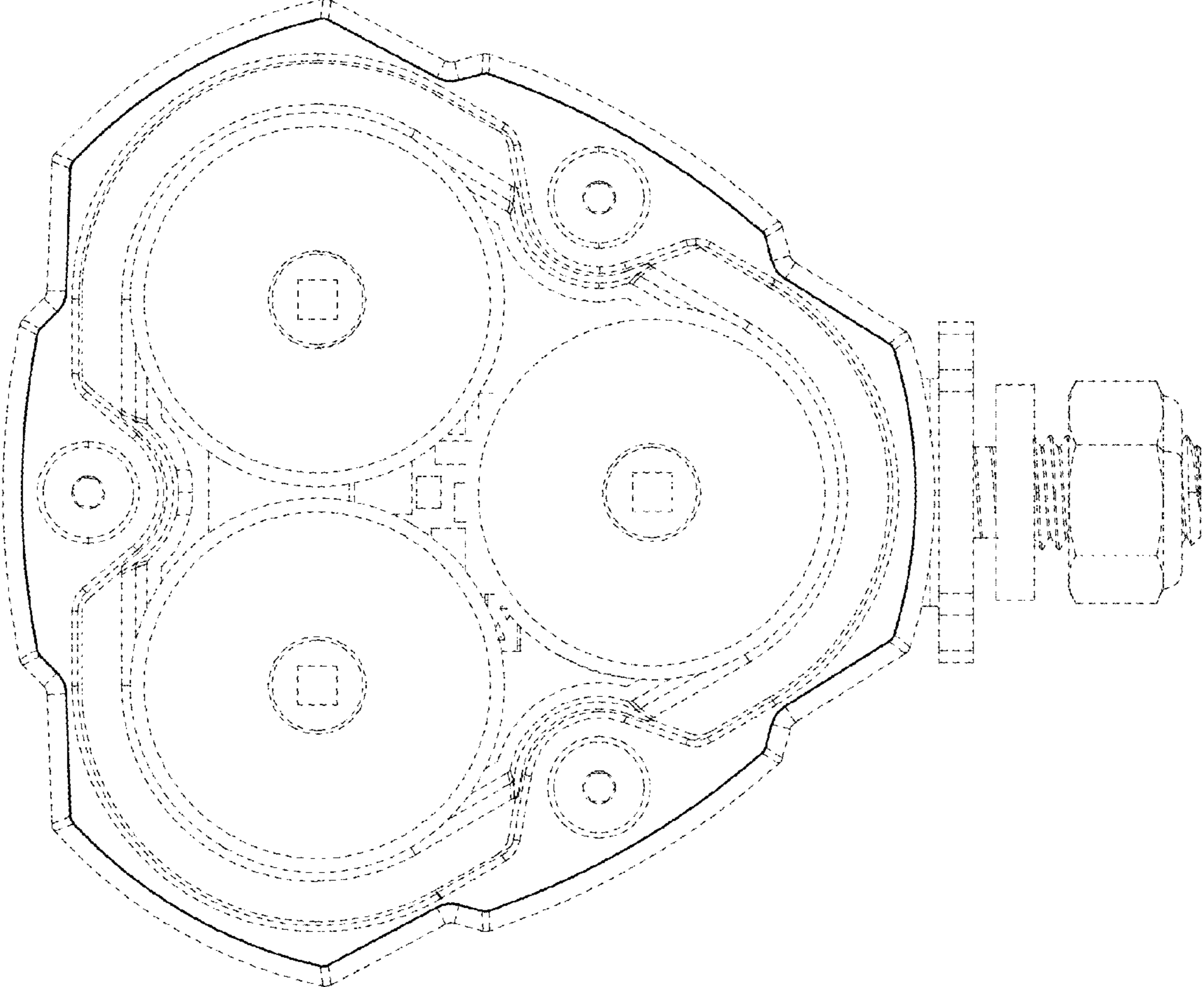


FIG. 2

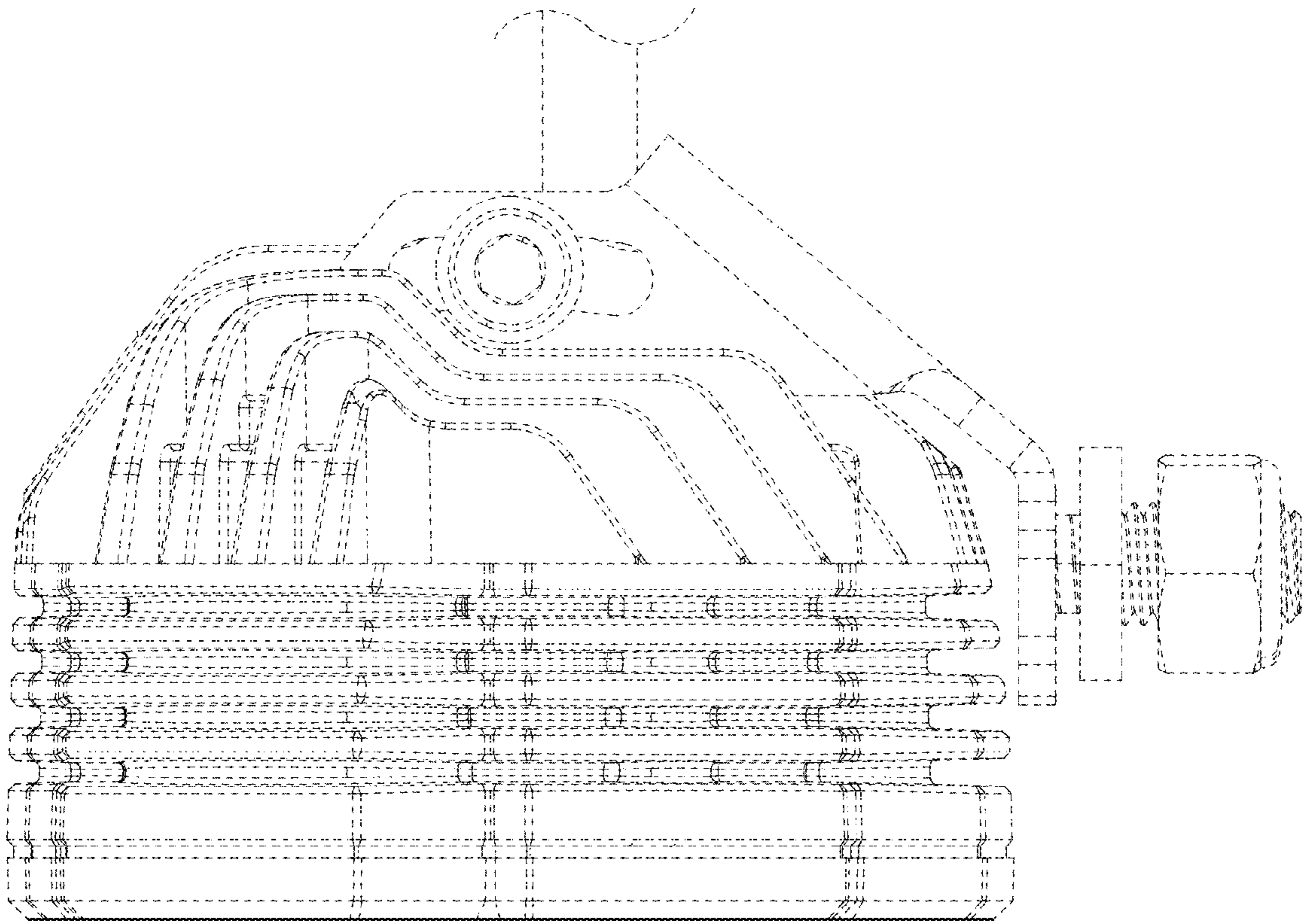


FIG. 4

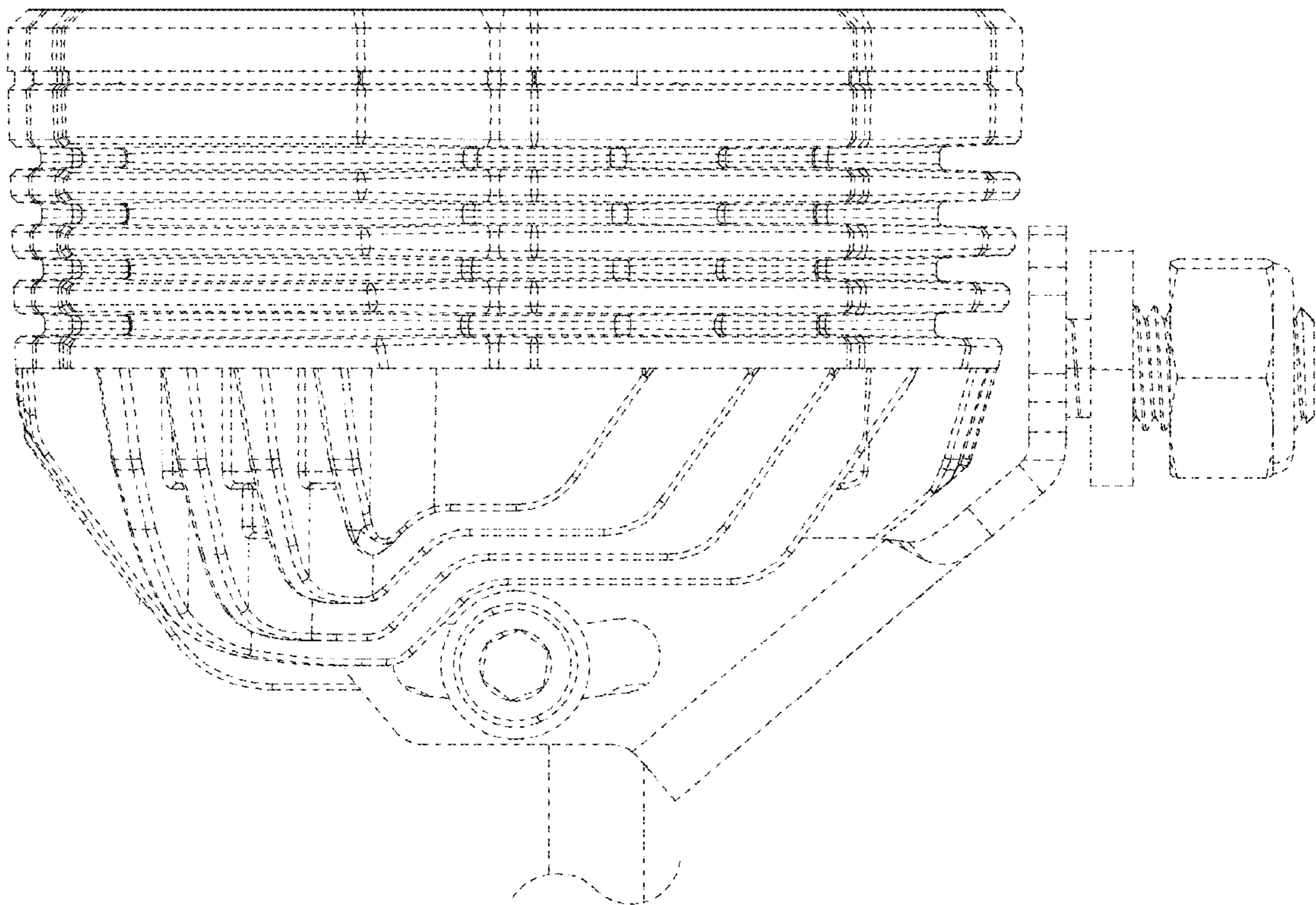


FIG. 3

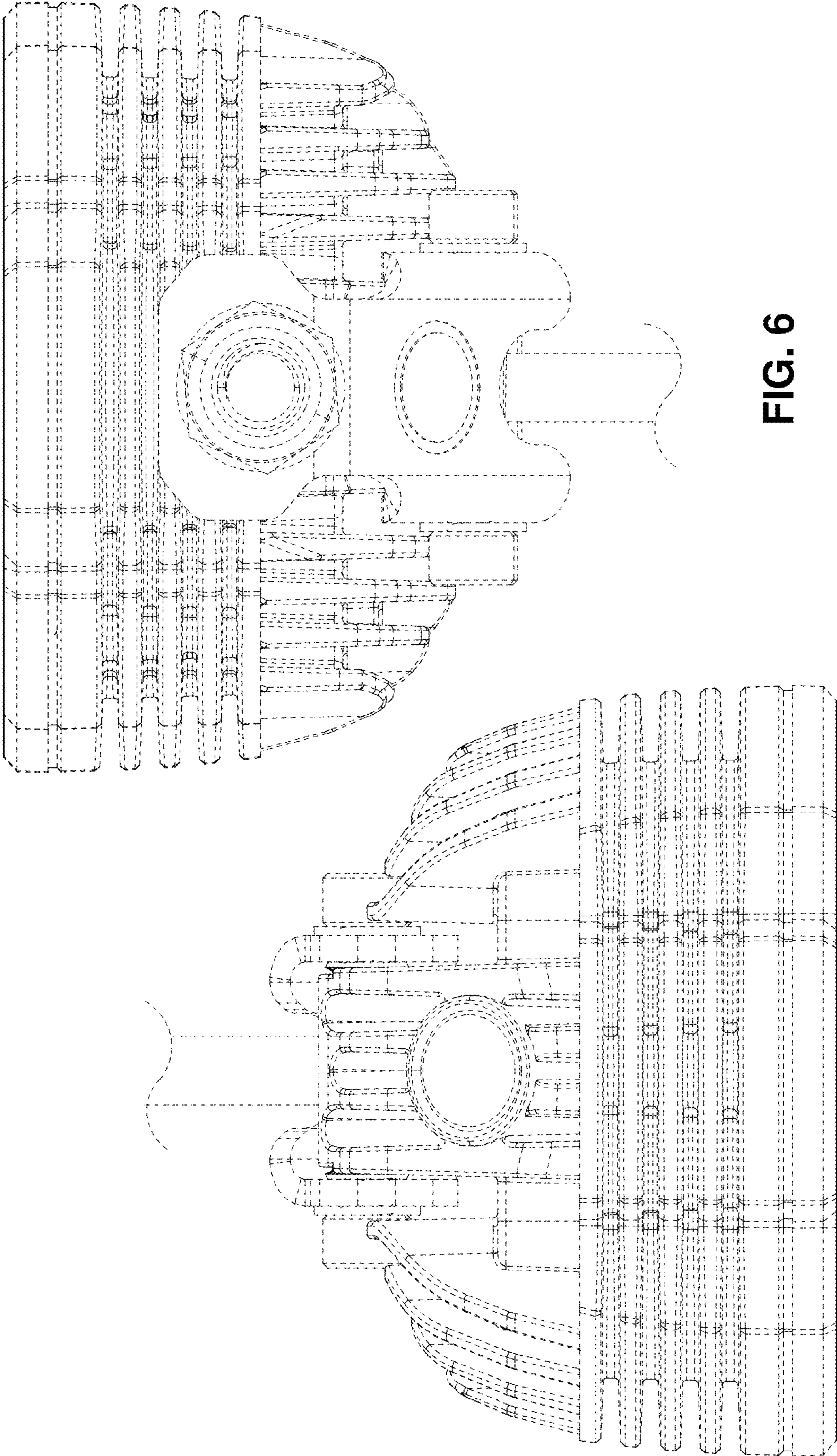


FIG. 6

FIG. 5