



US00D940925S

(12) **United States Design Patent**
Miyazawa

(10) **Patent No.:** **US D940,925 S**

(45) **Date of Patent:** **** Jan. 11, 2022**

(54) **FRONT COMBINATION LAMP FOR AN
AUTOMOBILE**

(71) Applicant: **Honda Motor Co., Ltd.**, Tokyo (JP)

(72) Inventor: **Takuya Miyazawa**, Wako (JP)

(73) Assignee: **HONDA MOTOR CO., LTD.**, Tokyo
(JP)

(**) Term: **15 Years**

(21) Appl. No.: **29/734,684**

(22) Filed: **May 14, 2020**

(30) **Foreign Application Priority Data**

Nov. 28, 2019 (JP) 2019-026383

(51) **LOC (13) Cl.** **26-06**

(52) **U.S. Cl.**
USPC **D26/28**

(58) **Field of Classification Search**
USPC D26/28-36, 139
CPC F21S 48/00; F21S 48/10; F21S 48/115;
F21S 48/225; F21S 48/1233; F21S
48/1266; F21S 48/1388; F21S 48/2268;
F21V 21/04; F21V 29/004; B60Q 9/13;
B60Q 9/135; B60Q 9/1375

See application file for complete search history.

(56) **References Cited**

U.S. PATENT DOCUMENTS

D566,307 S *	4/2008	Hsu	D26/28
D567,970 S *	4/2008	Hsu	D26/28
D582,072 S *	12/2008	Yang	D26/28
D737,484 S *	8/2015	Lai	D26/28
D831,246 S *	10/2018	Yang	D26/28
D841,207 S *	2/2019	Yang	D26/28
D853,000 S *	7/2019	Lin	D26/28

* cited by examiner

Primary Examiner — Marcus A Jackson

(74) *Attorney, Agent, or Firm* — Plumsea Law Group,
LLC.

(57) **CLAIM**

The ornamental design for a front combination lamp for an automobile, as shown and described.

DESCRIPTION

FIG. 1 is a front right perspective view of a front combination lamp for an automobile.

FIG. 2 is a rear left perspective view thereof.

FIG. 3 is a front view thereof.

FIG. 4 is a rear view thereof.

FIG. 5 is a right side view thereof.

FIG. 6 is a left side view thereof.

FIG. 7 is a top view thereof; and,

FIG. 8 is a bottom view thereof.

1 Claim, 8 Drawing Sheets



FIG. 1



FIG. 2

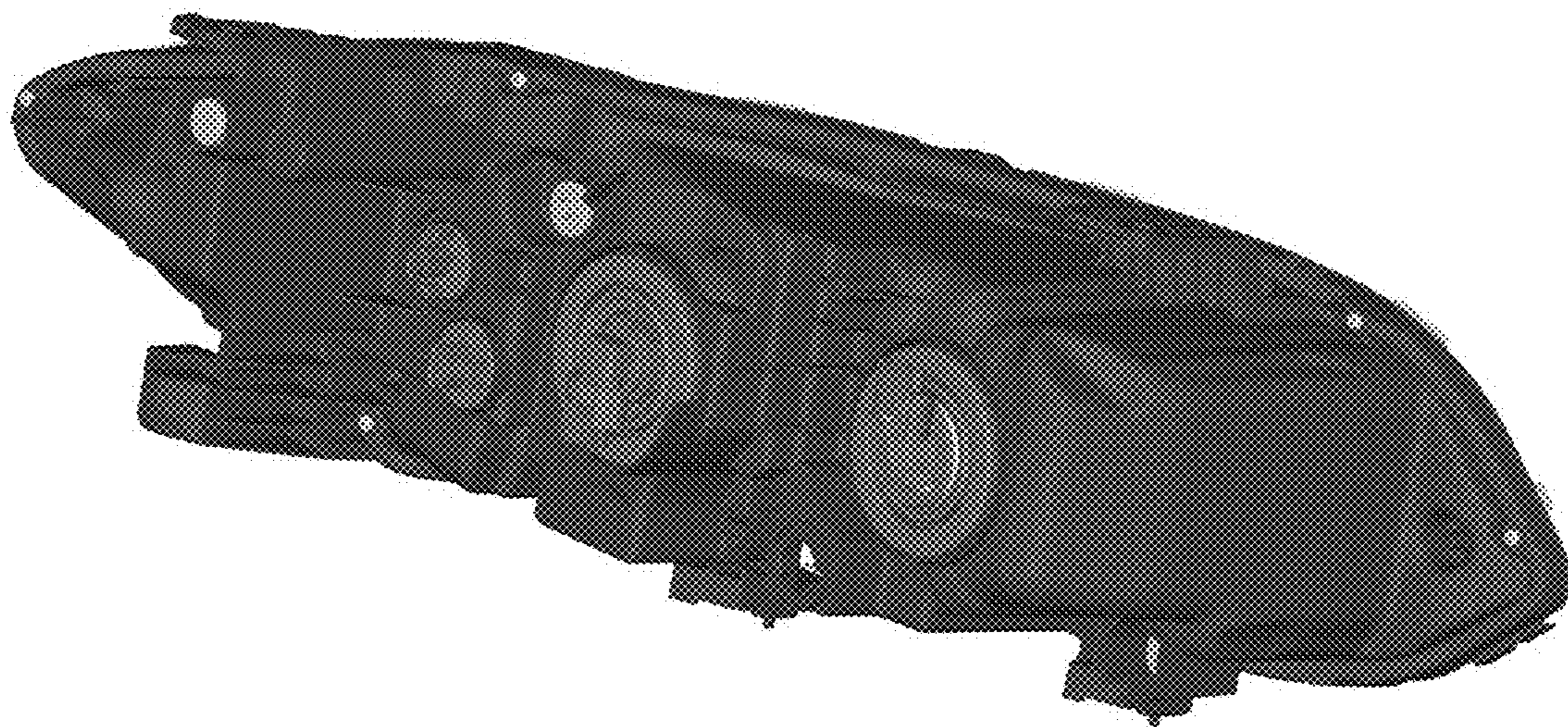


FIG. 3

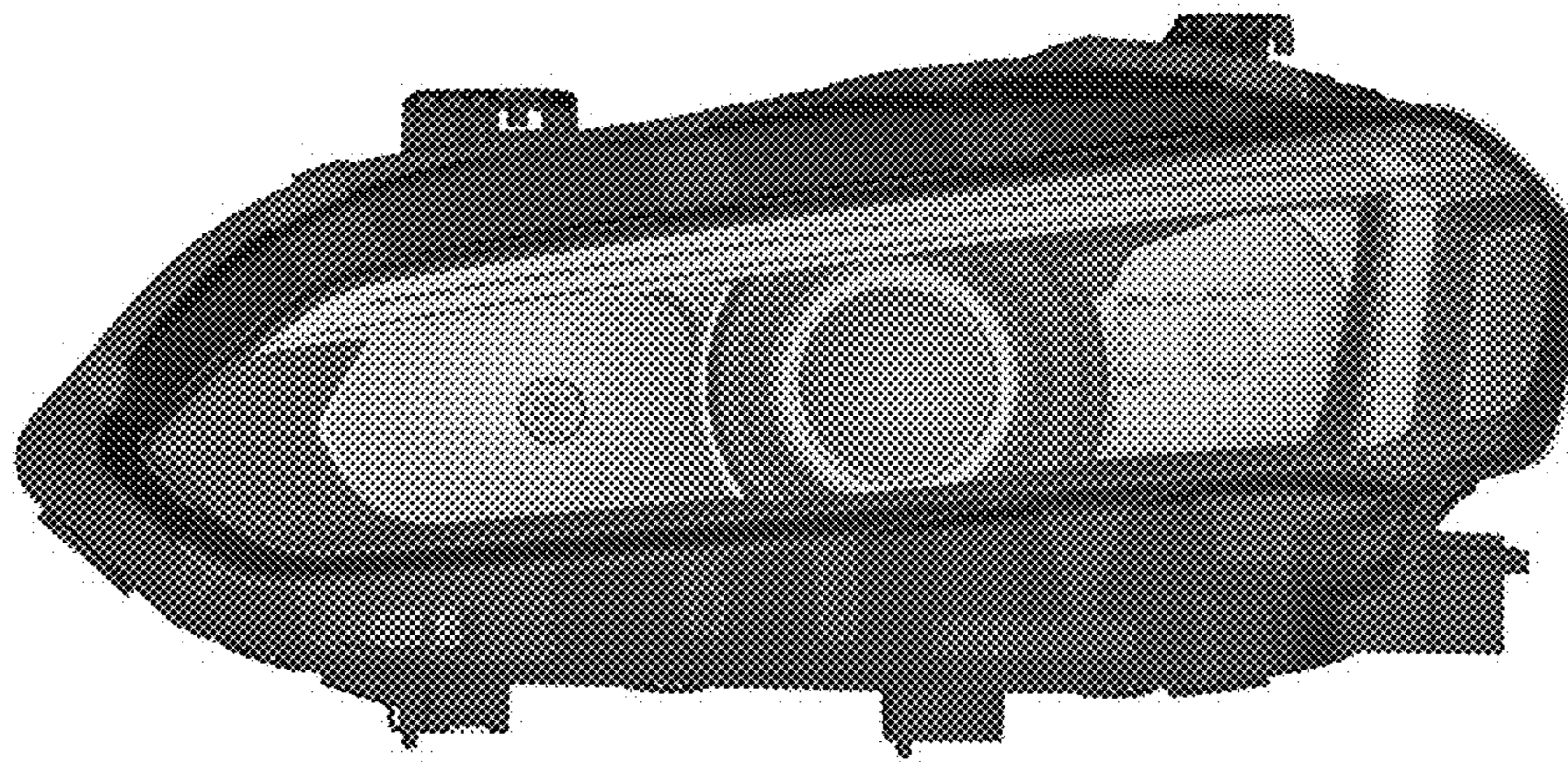


FIG. 4

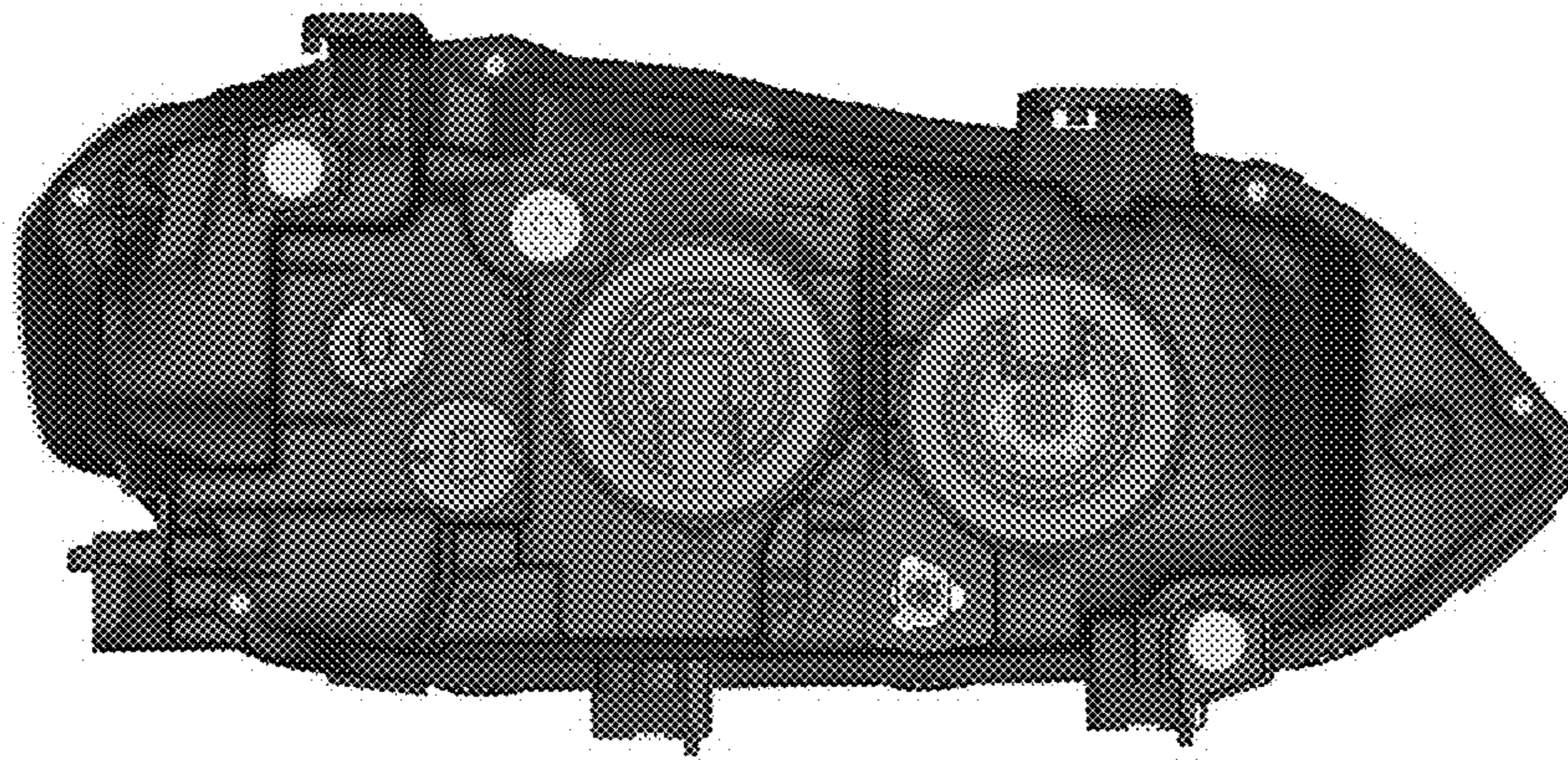


FIG. 5

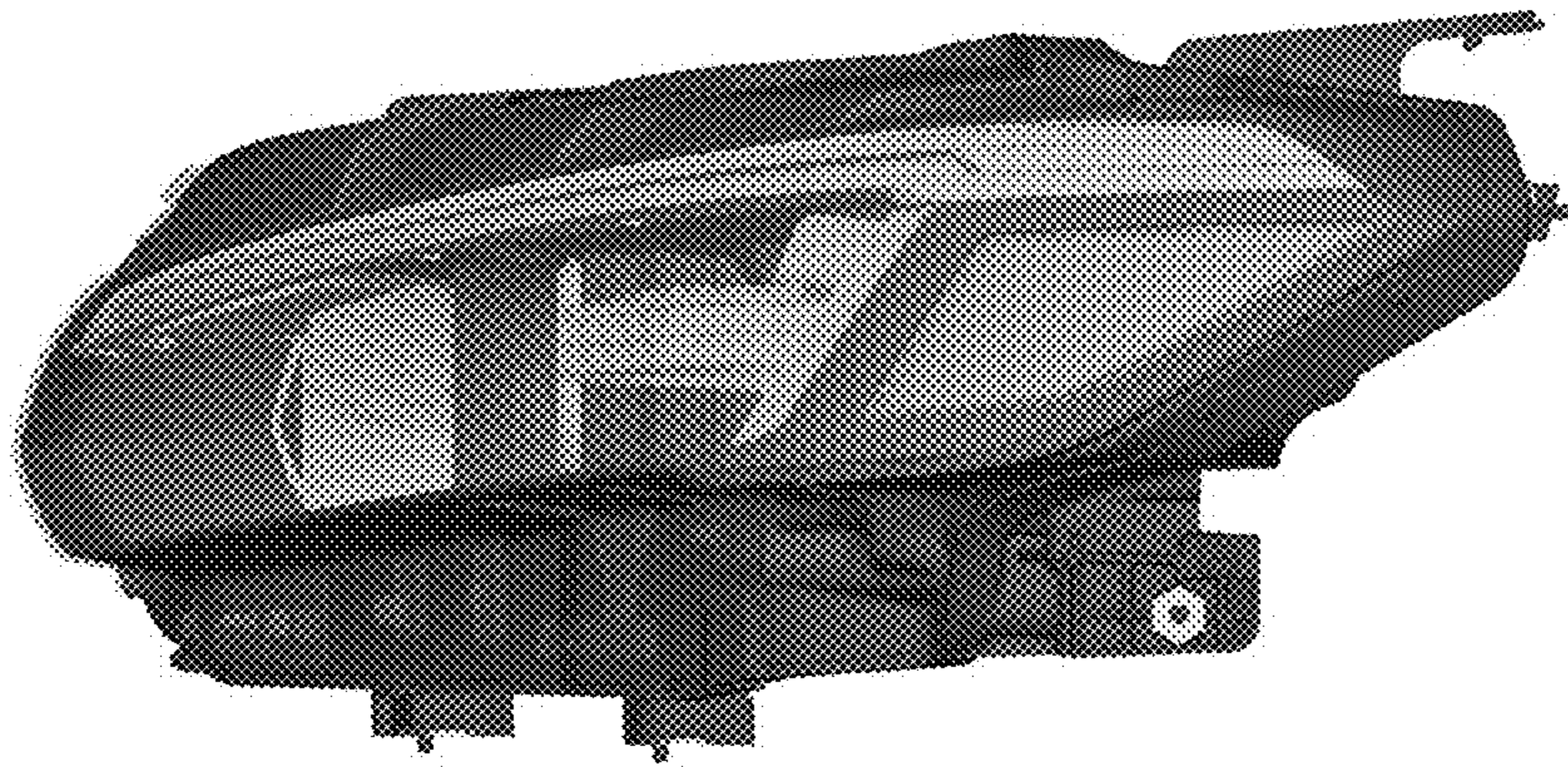


FIG. 6

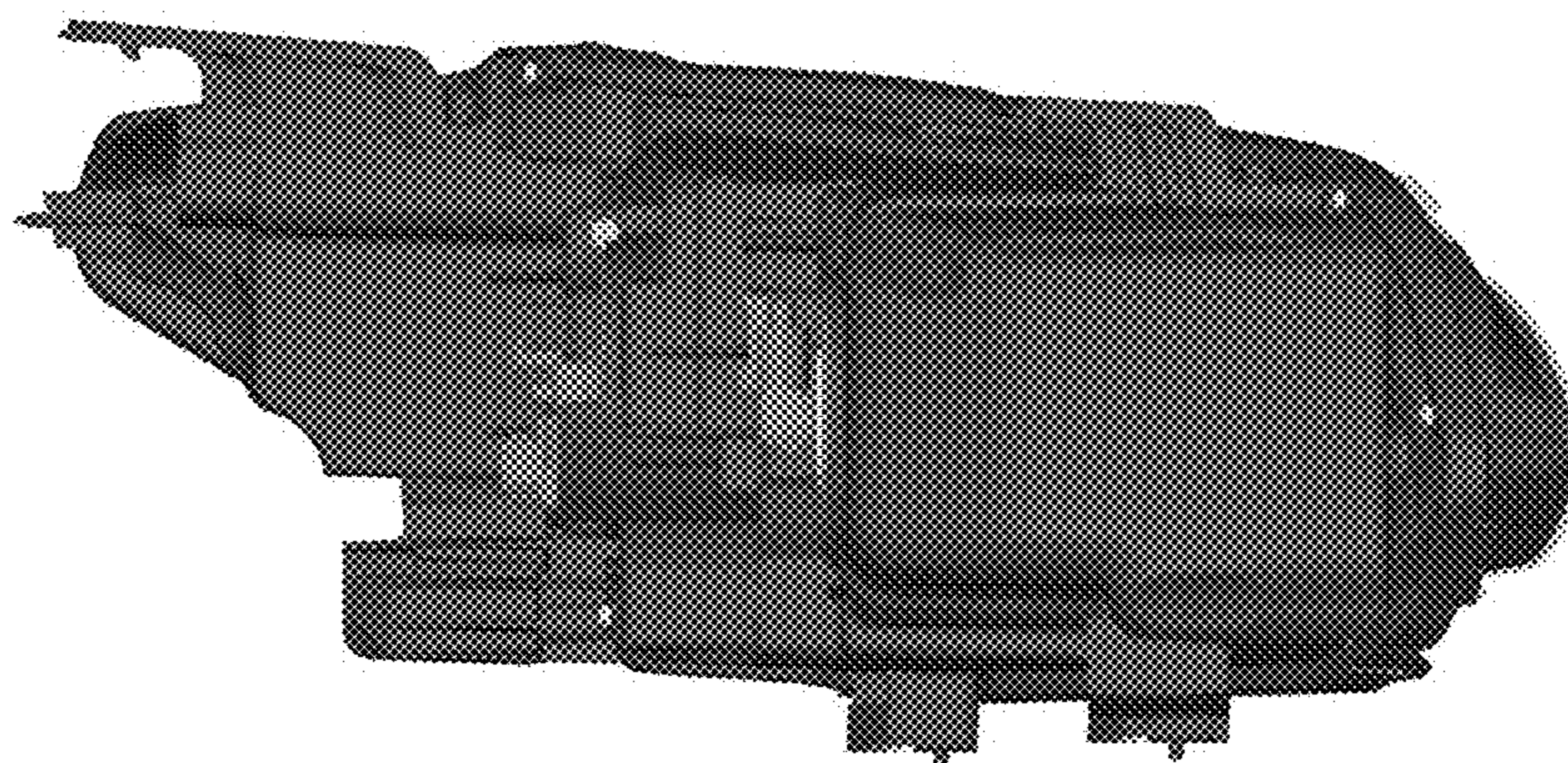


FIG. 7

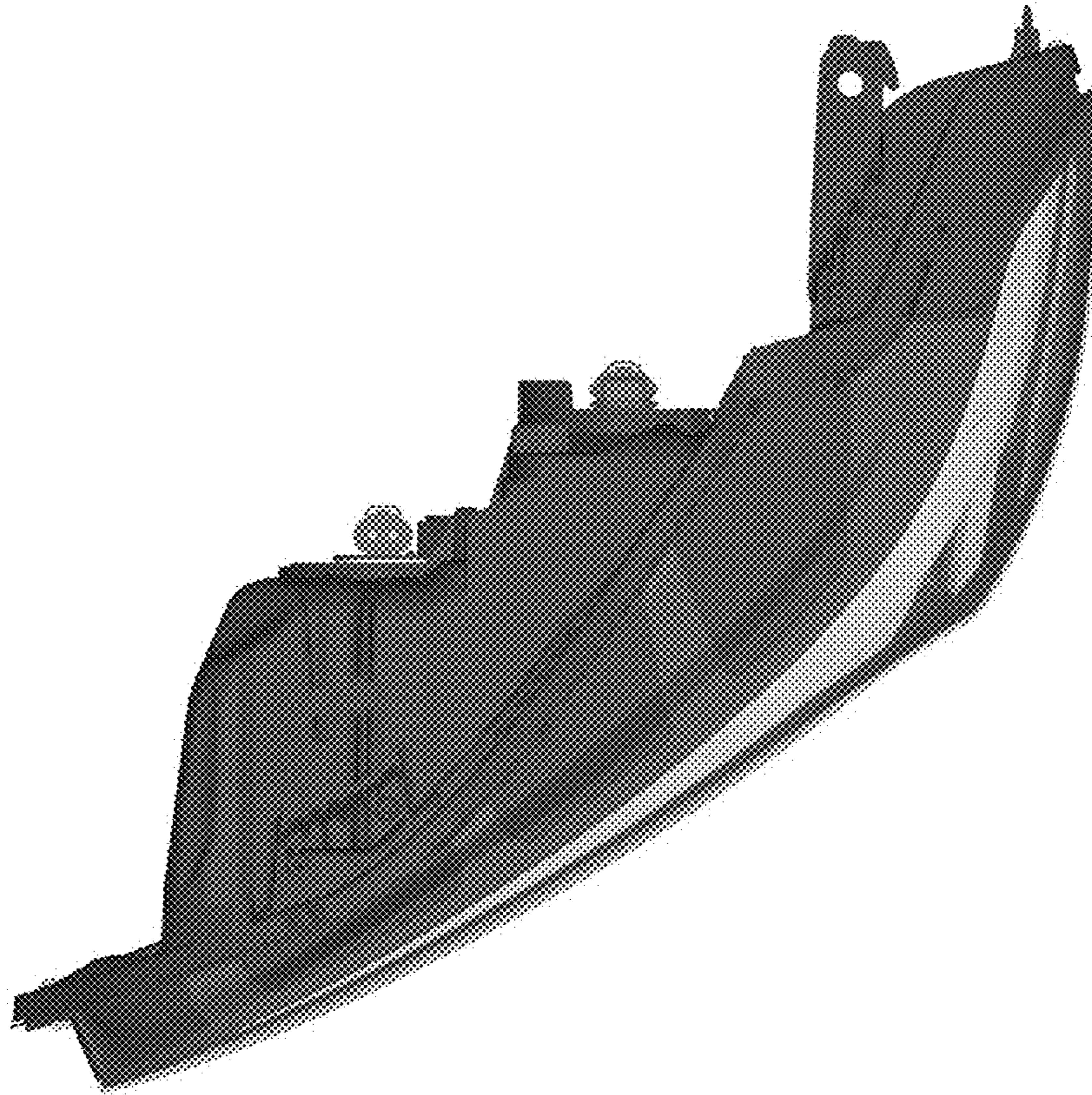


FIG. 8

