



US00D940920S

(12) **United States Design Patent**
Jin et al.

(10) **Patent No.:** **US D940,920 S**
(45) **Date of Patent:** **** Jan. 11, 2022**

(54) **BULB**

D432,684 S * 10/2000 Yim D26/2
D443,703 S * 6/2001 Sood D26/2
D471,652 S * 3/2003 Kling D26/2

(71) Applicant: **LINHAI SHENCHENG**
CHRISTMAS LIGHT FACTORY,
Linhai (CN)

* cited by examiner

Primary Examiner — Marcus A Jackson

(72) Inventors: **Longjun Jin,** Linhai (CN); **Longcheng**
Jin, Linhai (CN)

(**) Term: **15 Years**

(57) **CLAIM**

(21) Appl. No.: **29/755,162**

The ornamental design for a bulb, as shown and described.

(22) Filed: **Oct. 19, 2020**

(51) **LOC (13) Cl.** **26-04**

(52) **U.S. Cl.**
USPC **D26/4**

DESCRIPTION

(58) **Field of Classification Search**
USPC D26/1-4
CPC H01R 13/514; H01R 5/00; H01R 13/46;
H01R 31/02; H01R 31/048; H01J 5/00;
H01J 5/16; H01J 1/02; H01J 15/00; H01J
5/48; H01J 5/50; H01J 19/54; F21V 5/00;
F21K 9/00; F21K 13/00
See application file for complete search history.

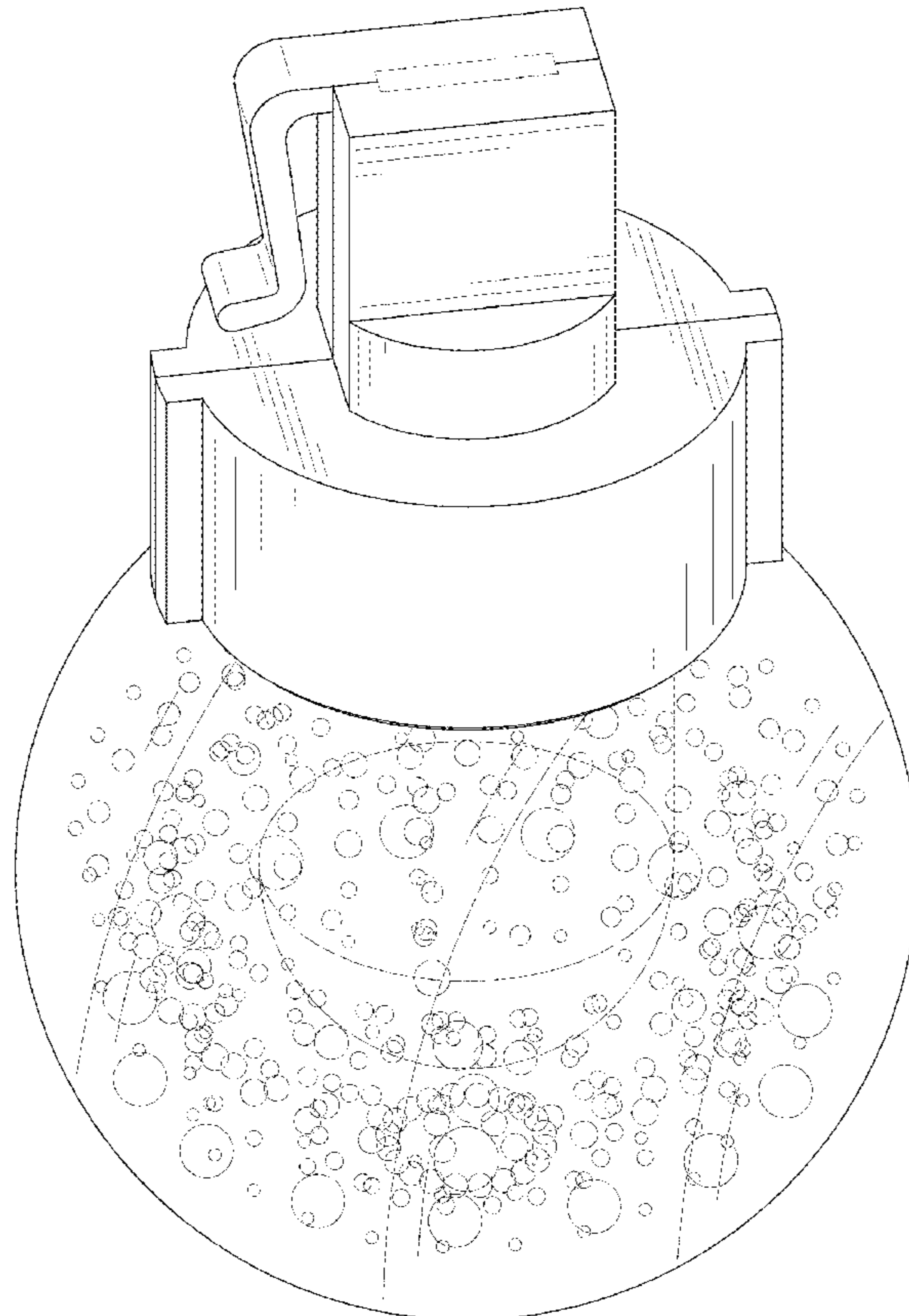
FIG. 1 is a front and top perspective view of a bulb, showing our new design;
FIG. 2 is a rear and bottom perspective view thereof;
FIG. 3 is a front elevational view thereof;
FIG. 4 is a rear elevational view thereof;
FIG. 5 is a left side elevational view thereof;
FIG. 6 is a right side elevational view thereof;
FIG. 7 is a top plan view thereof;
FIG. 8 is a bottom plan view thereof; and,
FIG. 9 is an exploded view thereof.
The broken lines in the figures illustrate portions of the article that form no part of the claimed design.

(56) **References Cited**

U.S. PATENT DOCUMENTS

D355,038 S * 1/1995 Ortiz D26/2
D422,099 S * 3/2000 Kracke D26/2

1 Claim, 9 Drawing Sheets



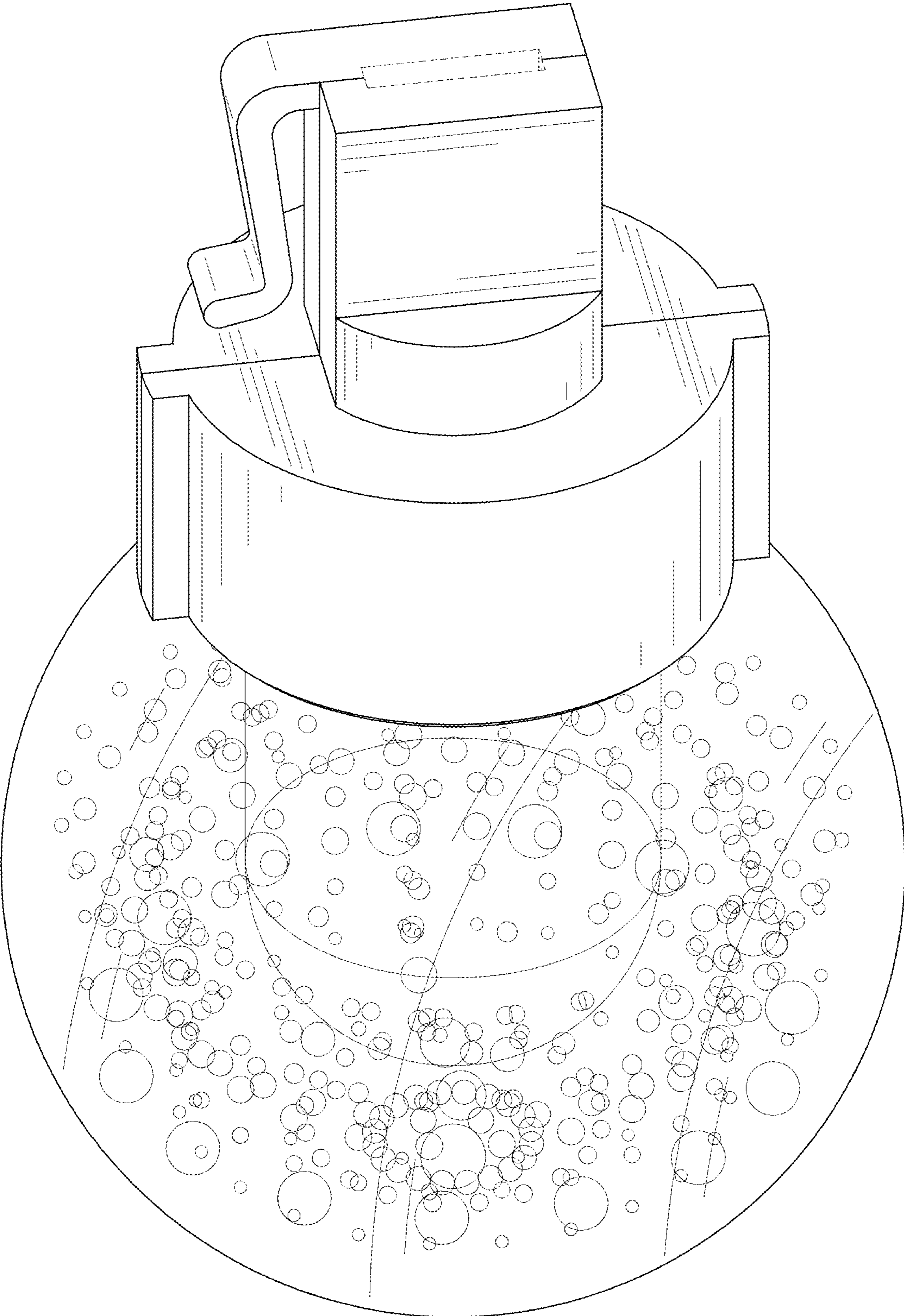


FIG. 1

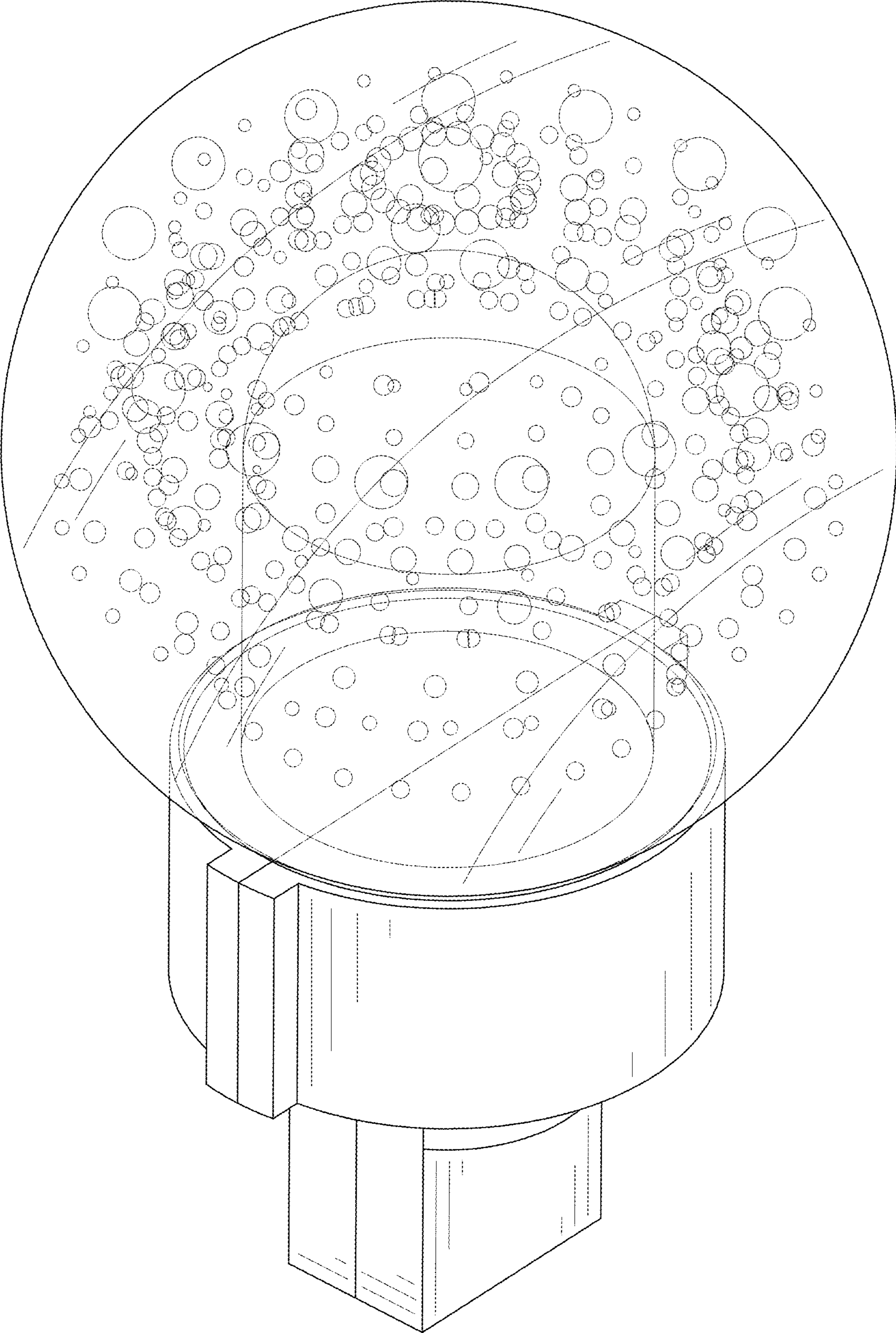


FIG. 2

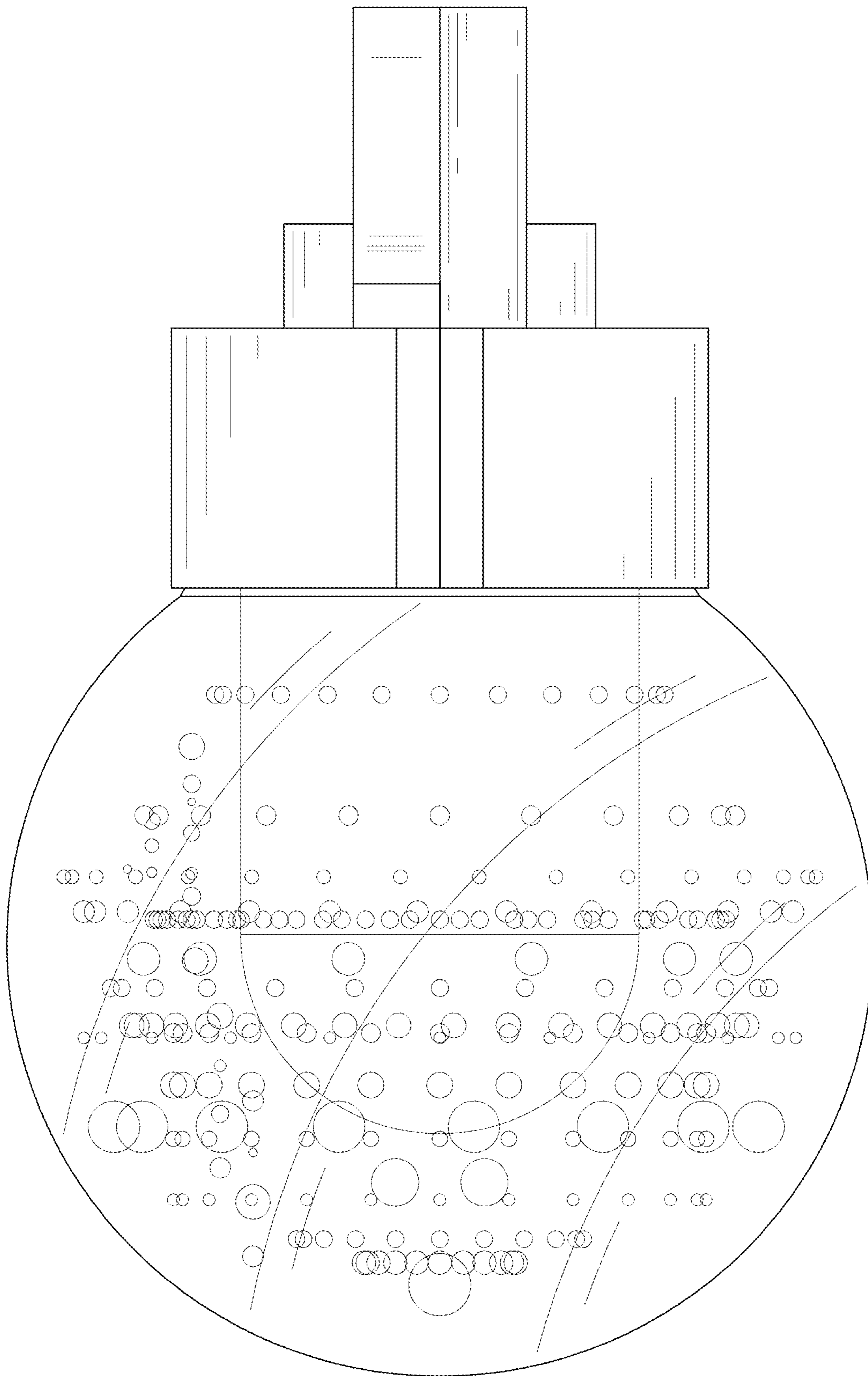


FIG. 3

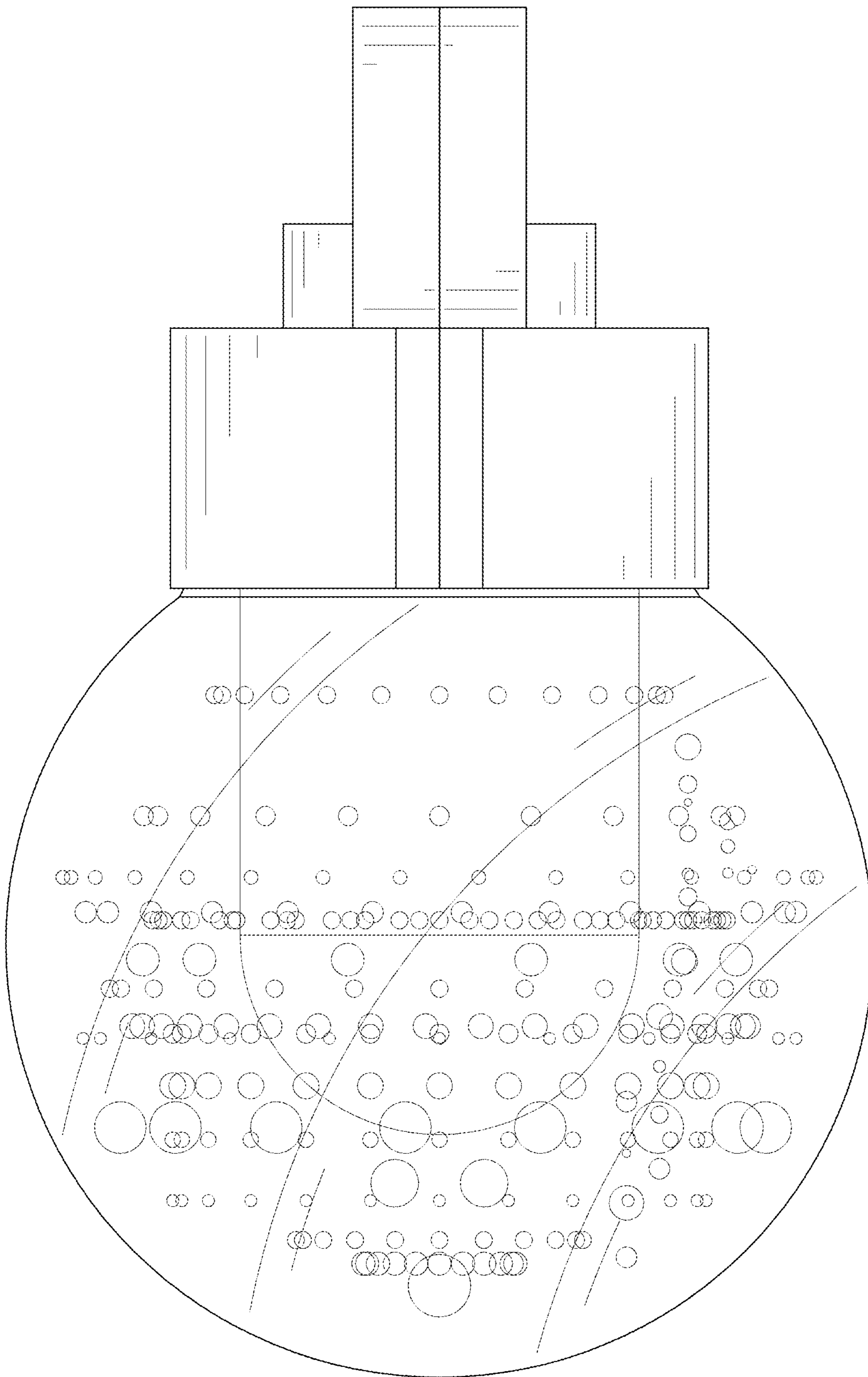


FIG. 4

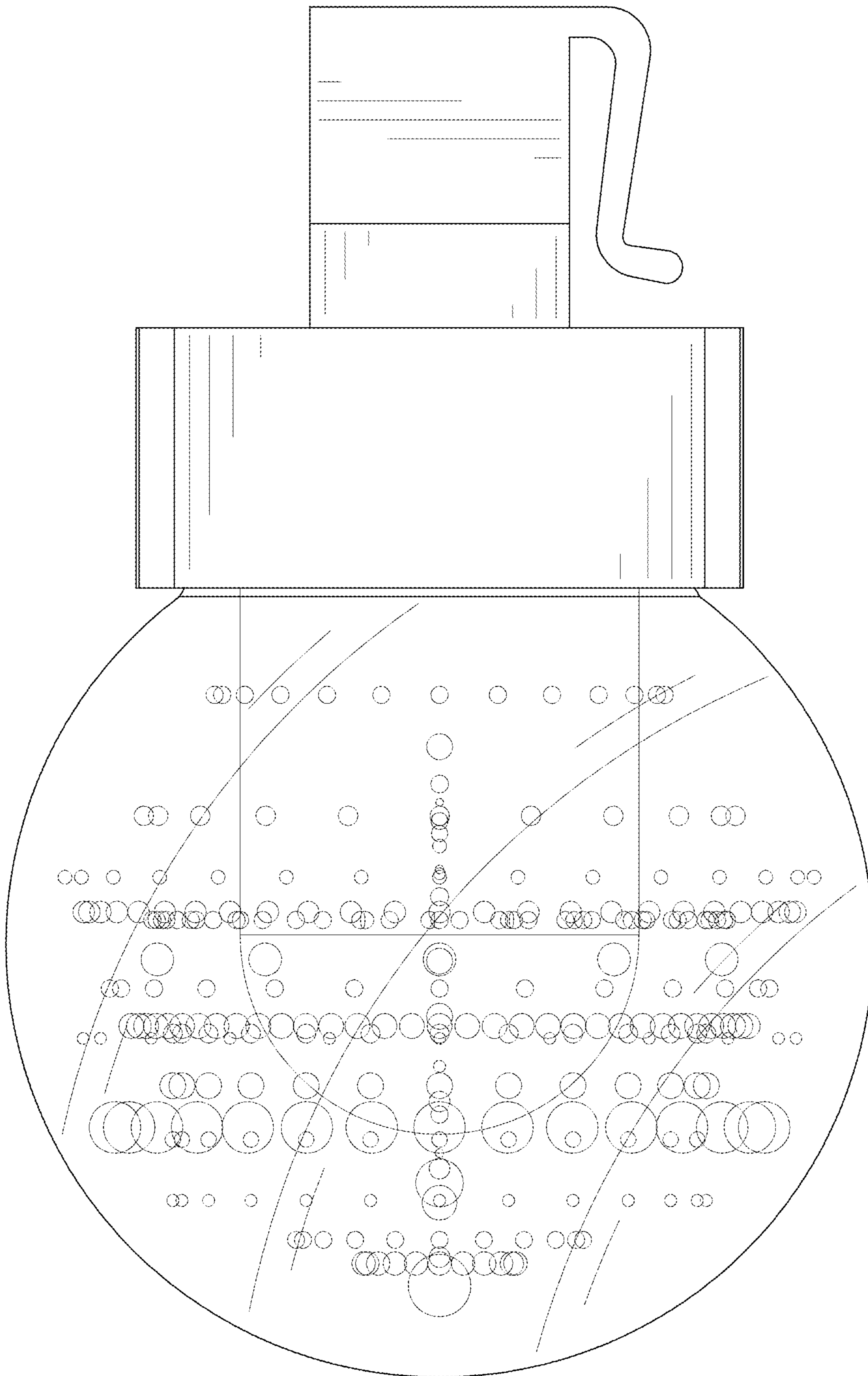


FIG. 5

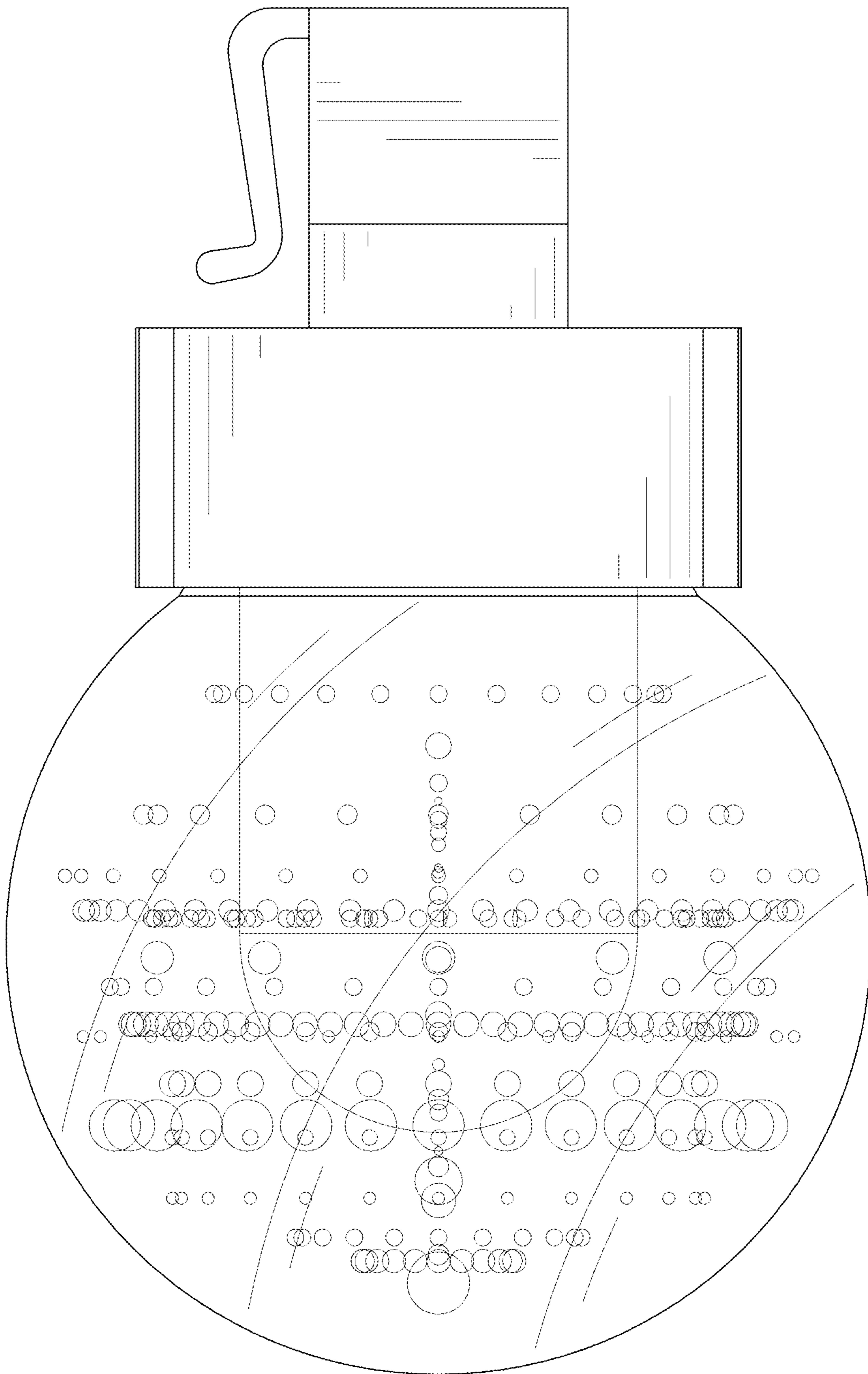


FIG. 6

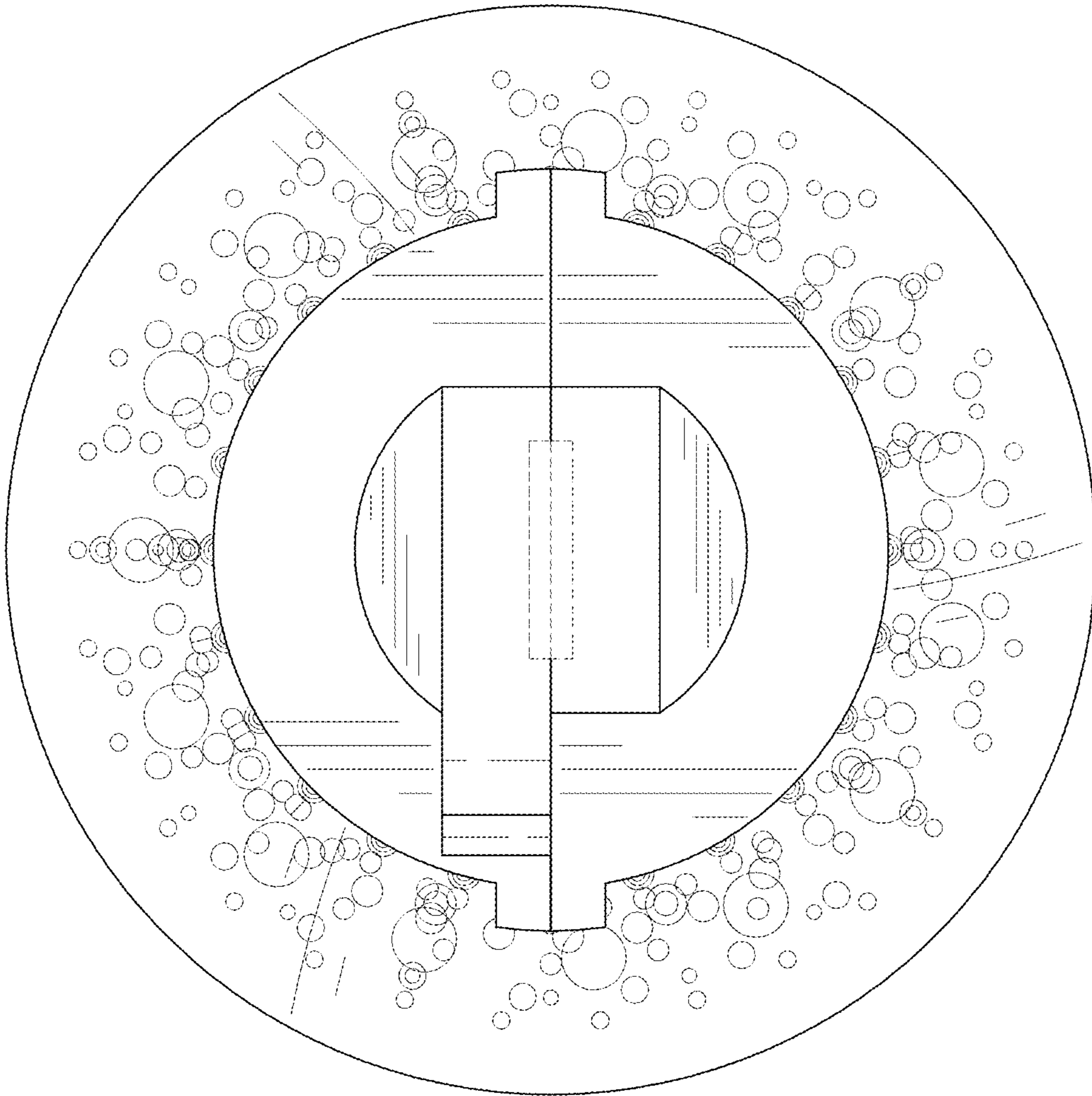


FIG. 7

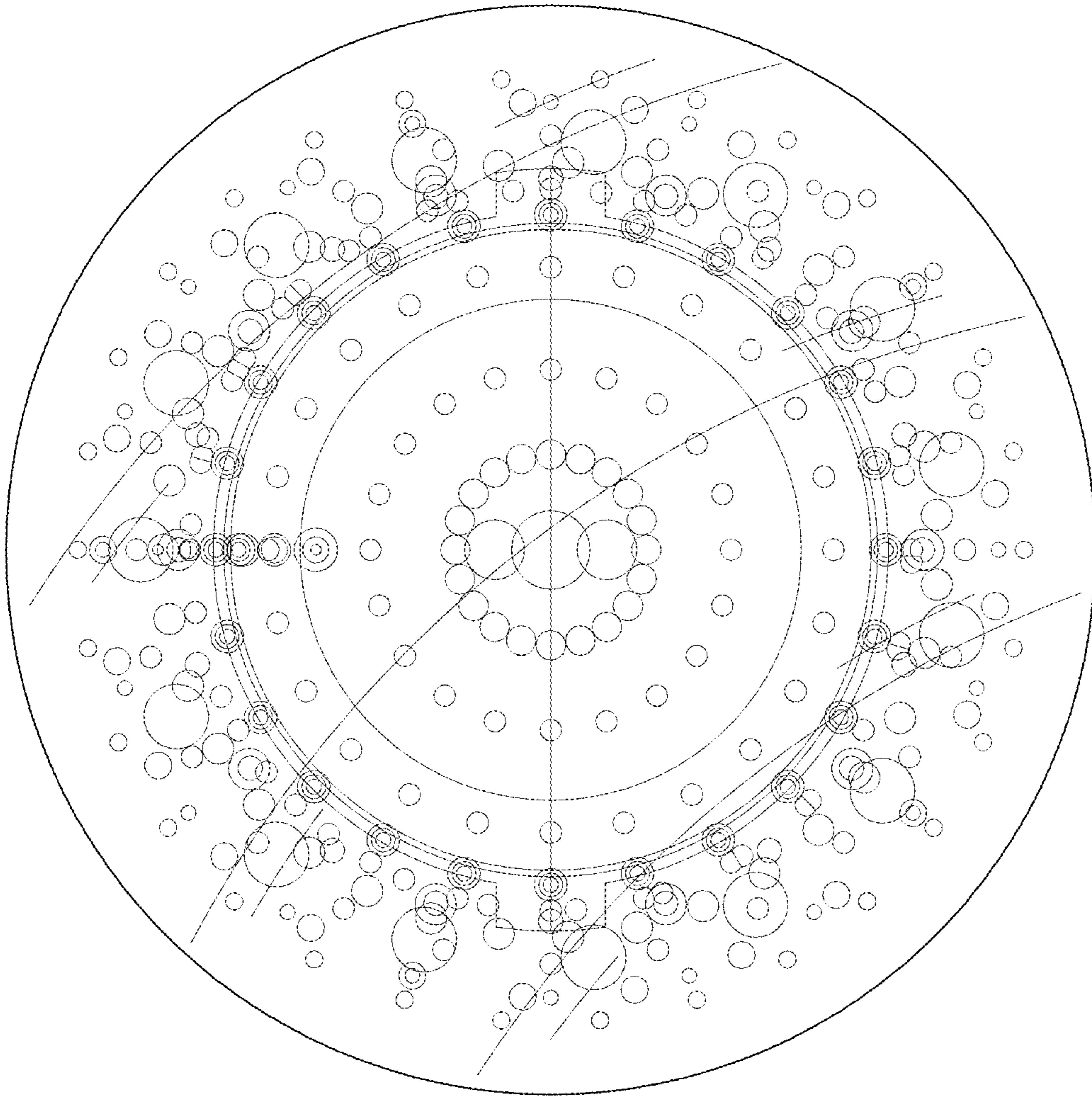


FIG. 8

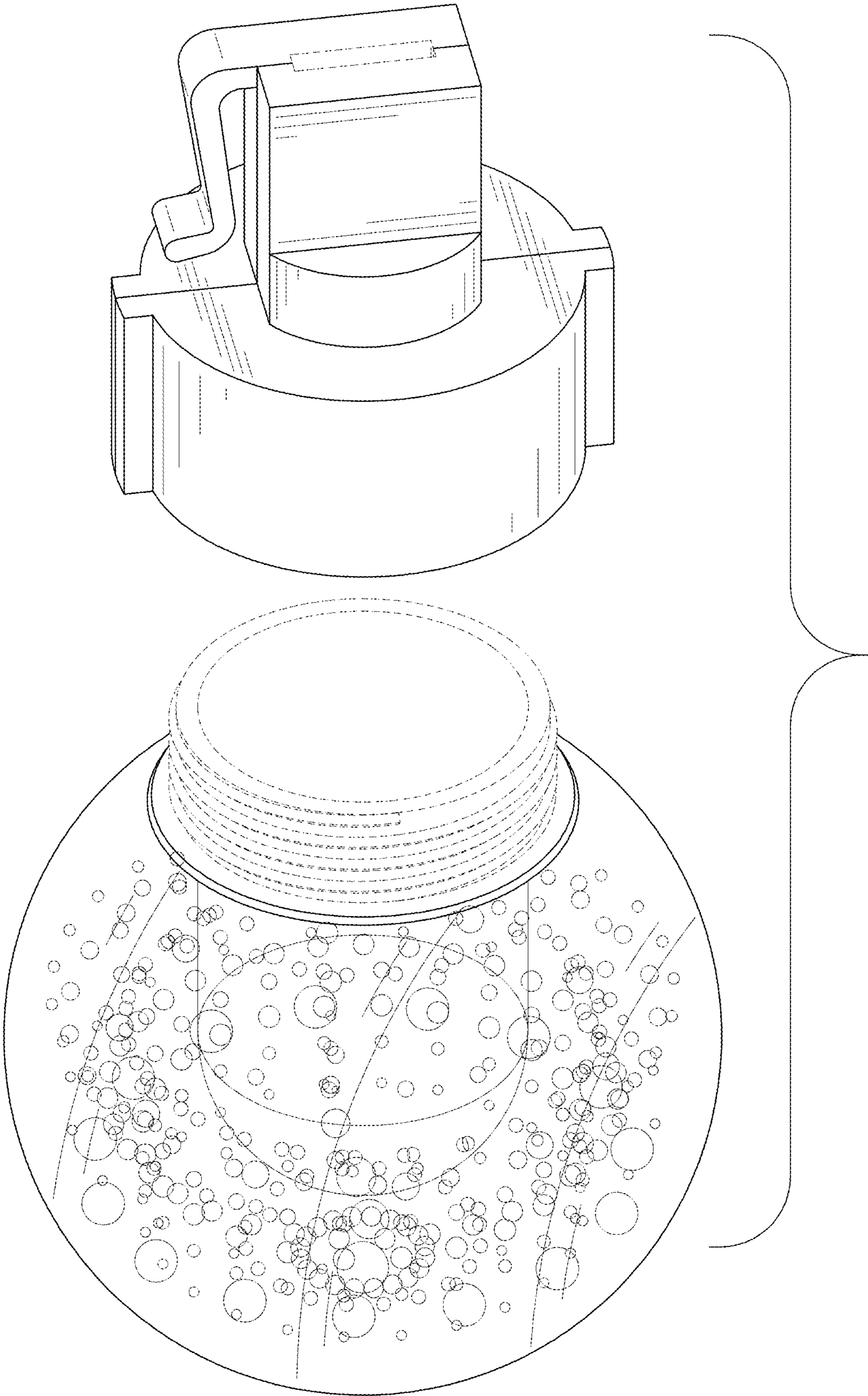


FIG. 9