



US00D940915S

(12) **United States Design Patent**
Lin et al.

(10) **Patent No.:** **US D940,915 S**
(45) **Date of Patent:** **** Jan. 11, 2022**

(54) **LED BULB**

(71) Applicant: **LEEDARSON LIGHTING CO., LTD.**, Fujian (CN)

(72) Inventors: **Yunnan Lin**, Fujian (CN); **Xianghua Lin**, Fujian (CN); **Renliang Hong**, Fujian (CN); **Guohua Hong**, Fujian (CN); **Chongyuan Xu**, Fujian (CN)

(**) Term: **15 Years**

(21) Appl. No.: **29/752,866**

(22) Filed: **Sep. 29, 2020**

(51) **LOC (13) Cl.** **26-04**

(52) **U.S. Cl.**
USPC **D26/2**

(58) **Field of Classification Search**
USPC D26/1-4
CPC H01R 5/00; H01R 13/46; H01R 13/514;
H01R 31/02; H01R 31/048; H01J 5/00;
H01J 5/16; H01J 1/02; H01J 15/00; H01J
5/48; H01J 5/50; H01J 19/54; F21V 5/00;
F21K 9/00; F21K 13/00
See application file for complete search history.

(56) **References Cited**

U.S. PATENT DOCUMENTS

D528,227 S * 9/2006 Chou D26/2
D531,741 S * 11/2006 Takahashi D26/2

D549,360 S * 8/2007 An D26/2
D560,286 S * 1/2008 Maxik D26/2
D662,625 S * 6/2012 Yamamoto D26/2
D673,699 S * 1/2013 Yao D26/2

* cited by examiner

Primary Examiner — Marcus A Jackson
(74) *Attorney, Agent, or Firm* — Patshegen IP LLC;
Moshe Pinchas

(57) **CLAIM**

The ornamental design for a LED bulb, as shown and described.

DESCRIPTION

FIG. 1 is a front, left and top side perspective view of the LED bulb showing the new design;
FIG. 2 is a rear, right and bottom side perspective view thereof;
FIG. 3 is a front elevational view thereof;
FIG. 4 is a rear elevational view thereof;
FIG. 5 is a left side elevational view thereof;
FIG. 6 is a right side elevational view thereof;
FIG. 7 is a top plan view thereof; and,
FIG. 8 is a bottom plan view thereof.

1 Claim, 8 Drawing Sheets

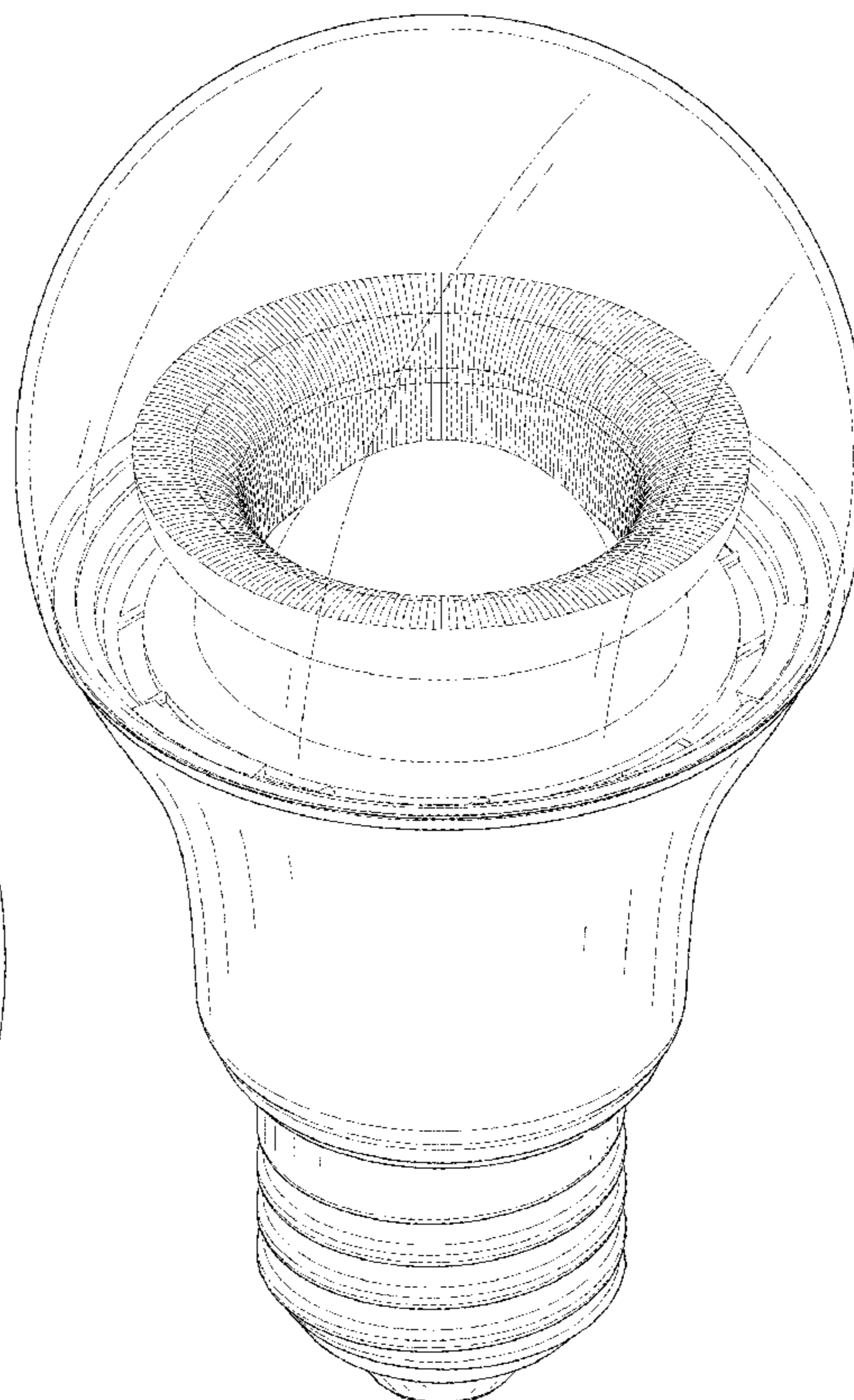
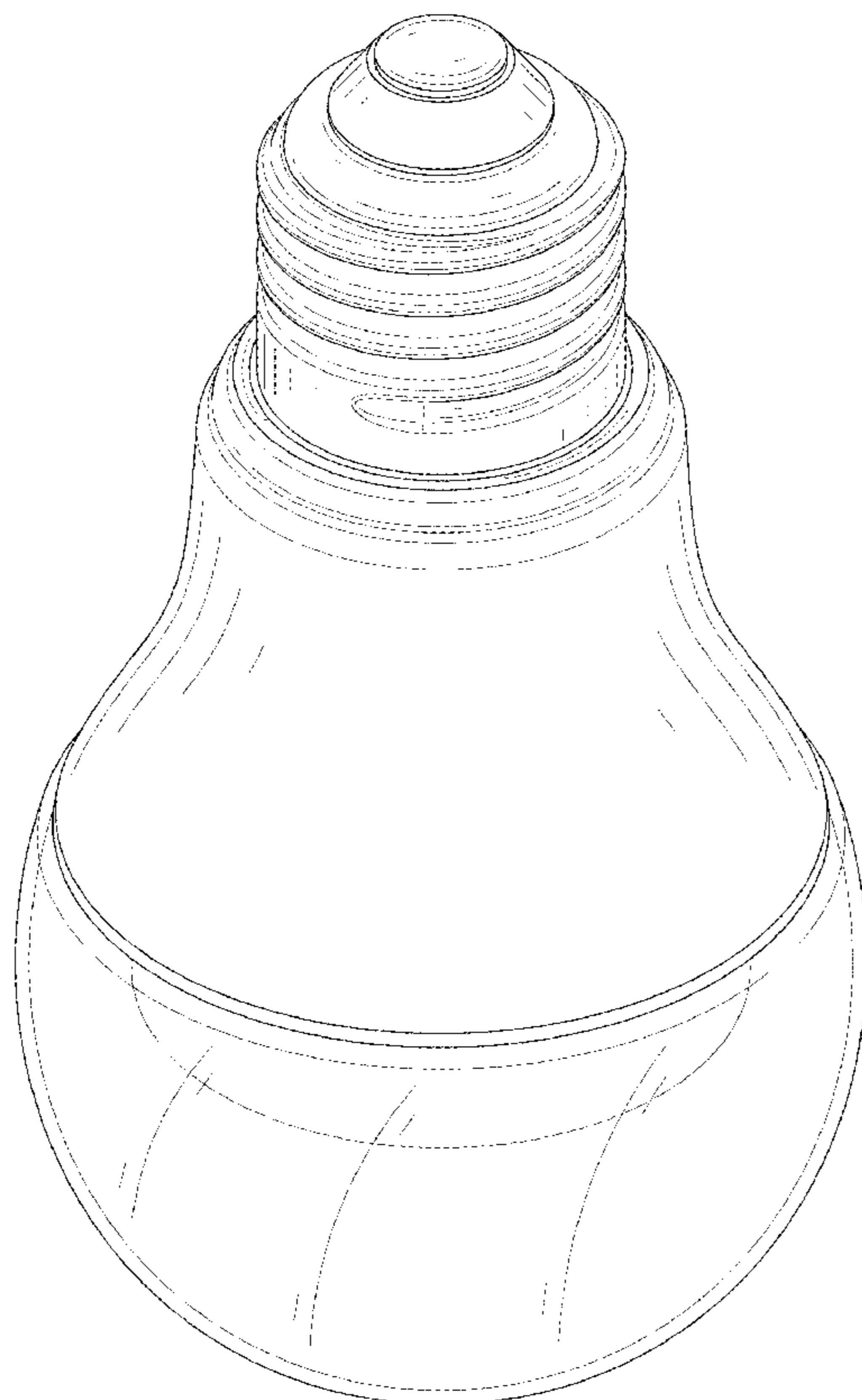




FIG. 1

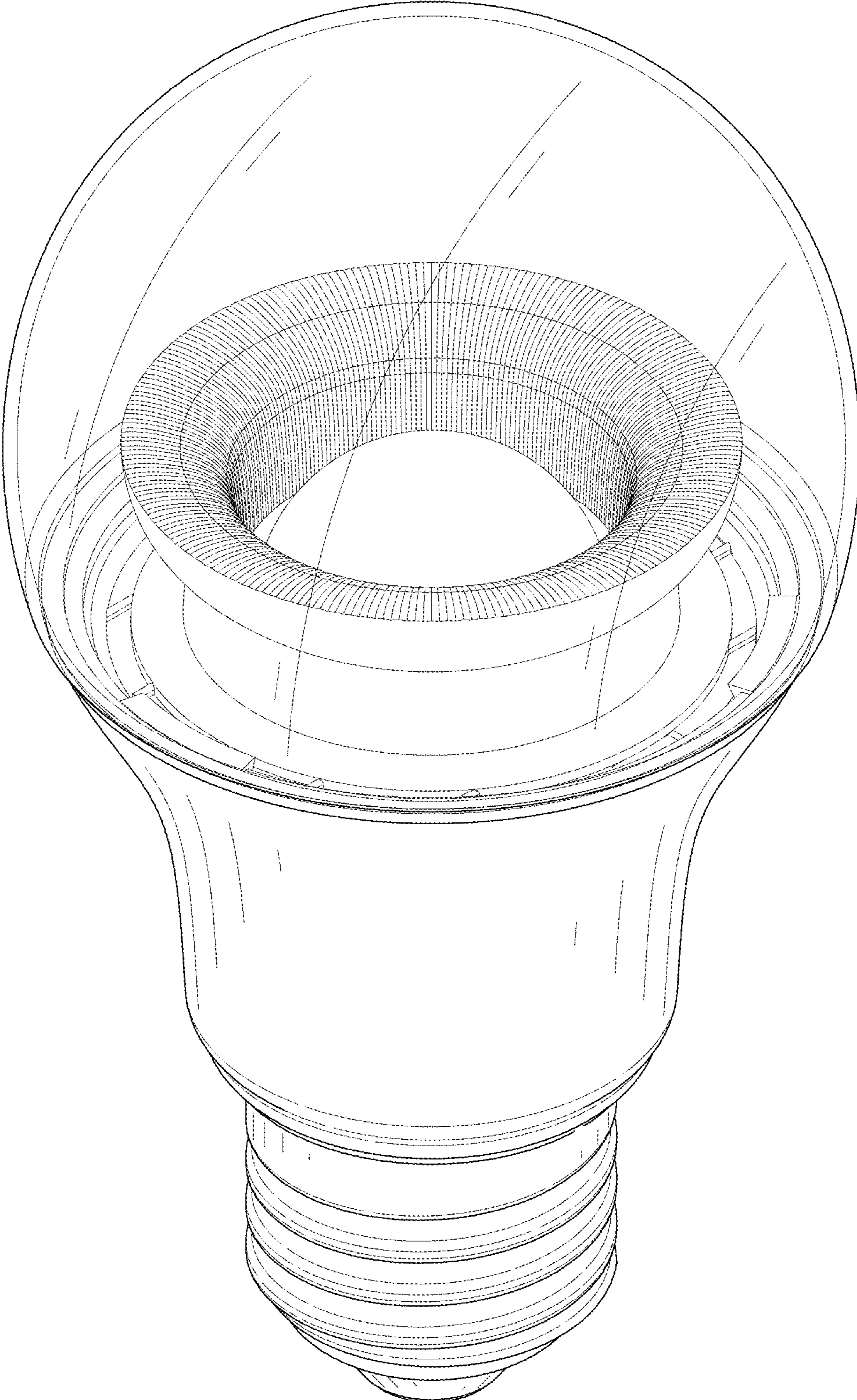


FIG. 2

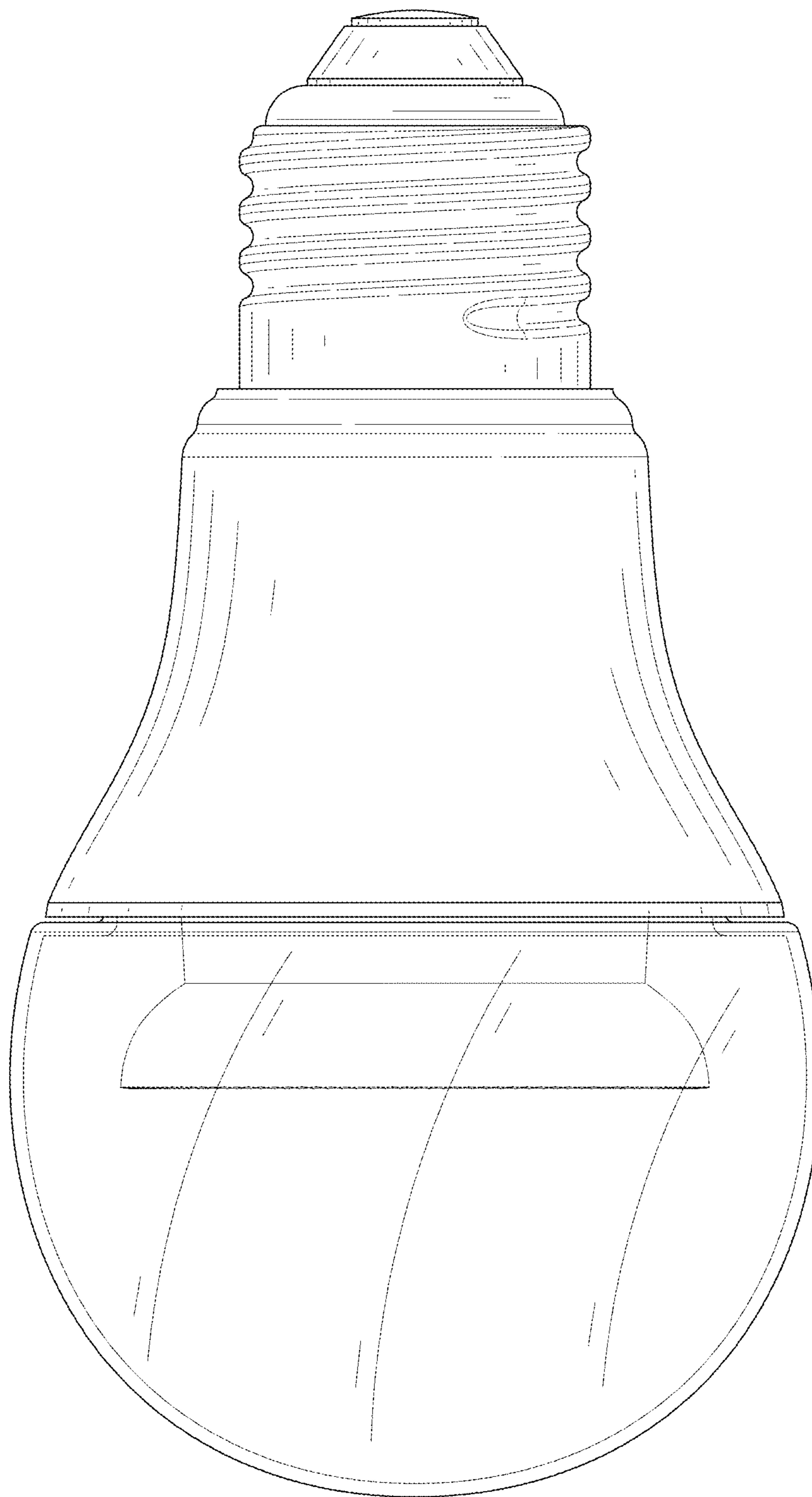


FIG. 3

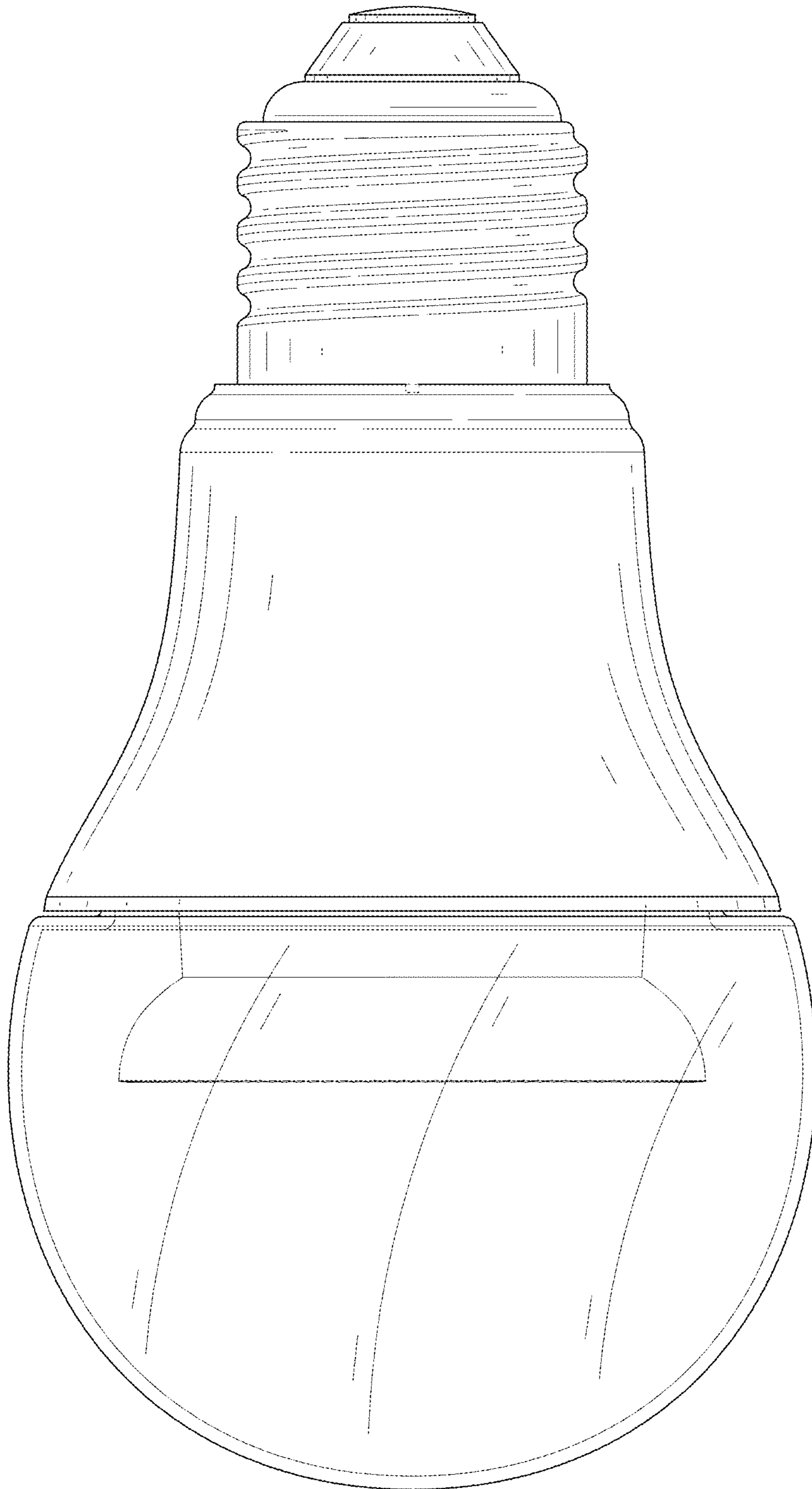


FIG. 4

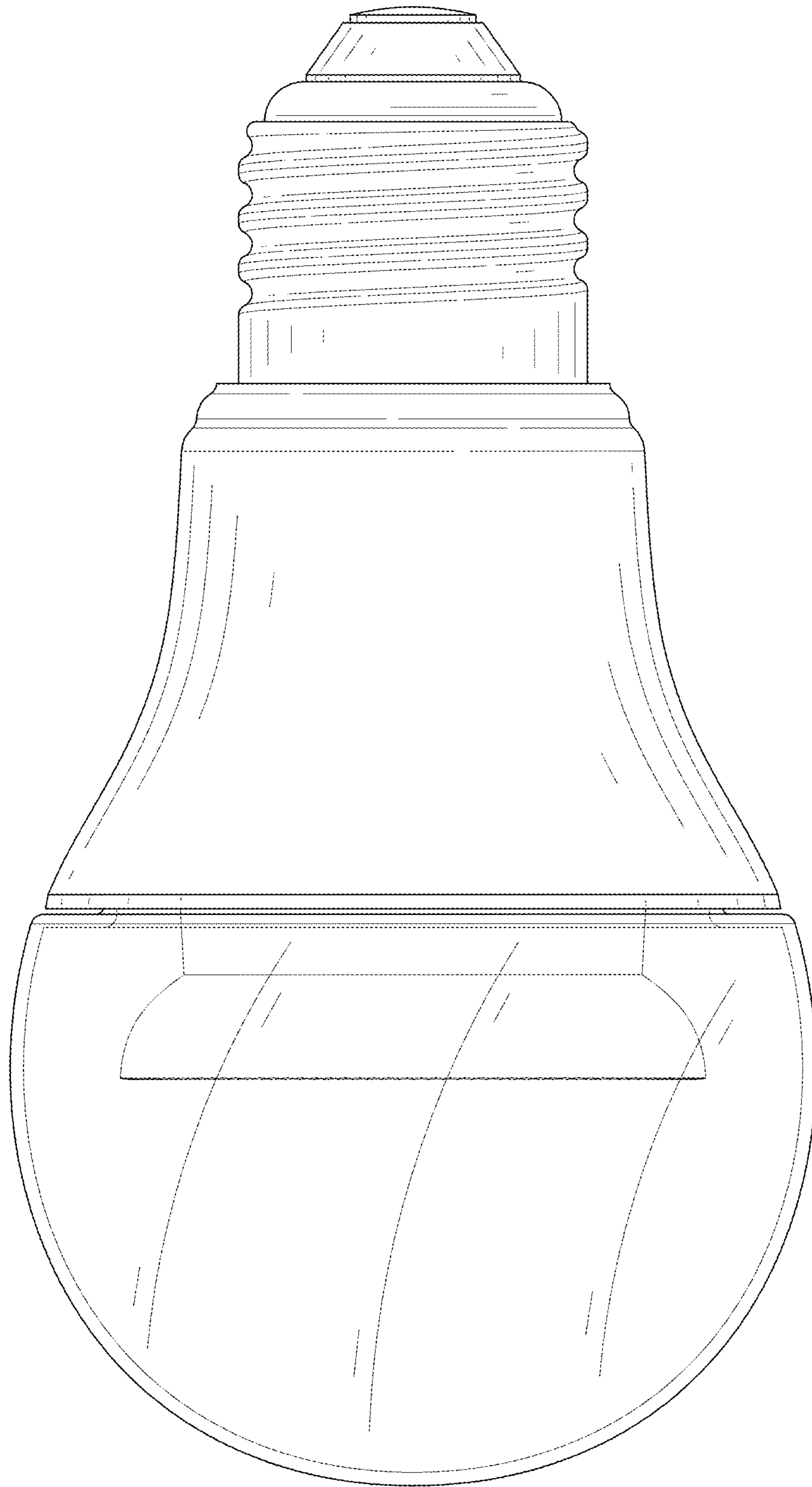


FIG. 5

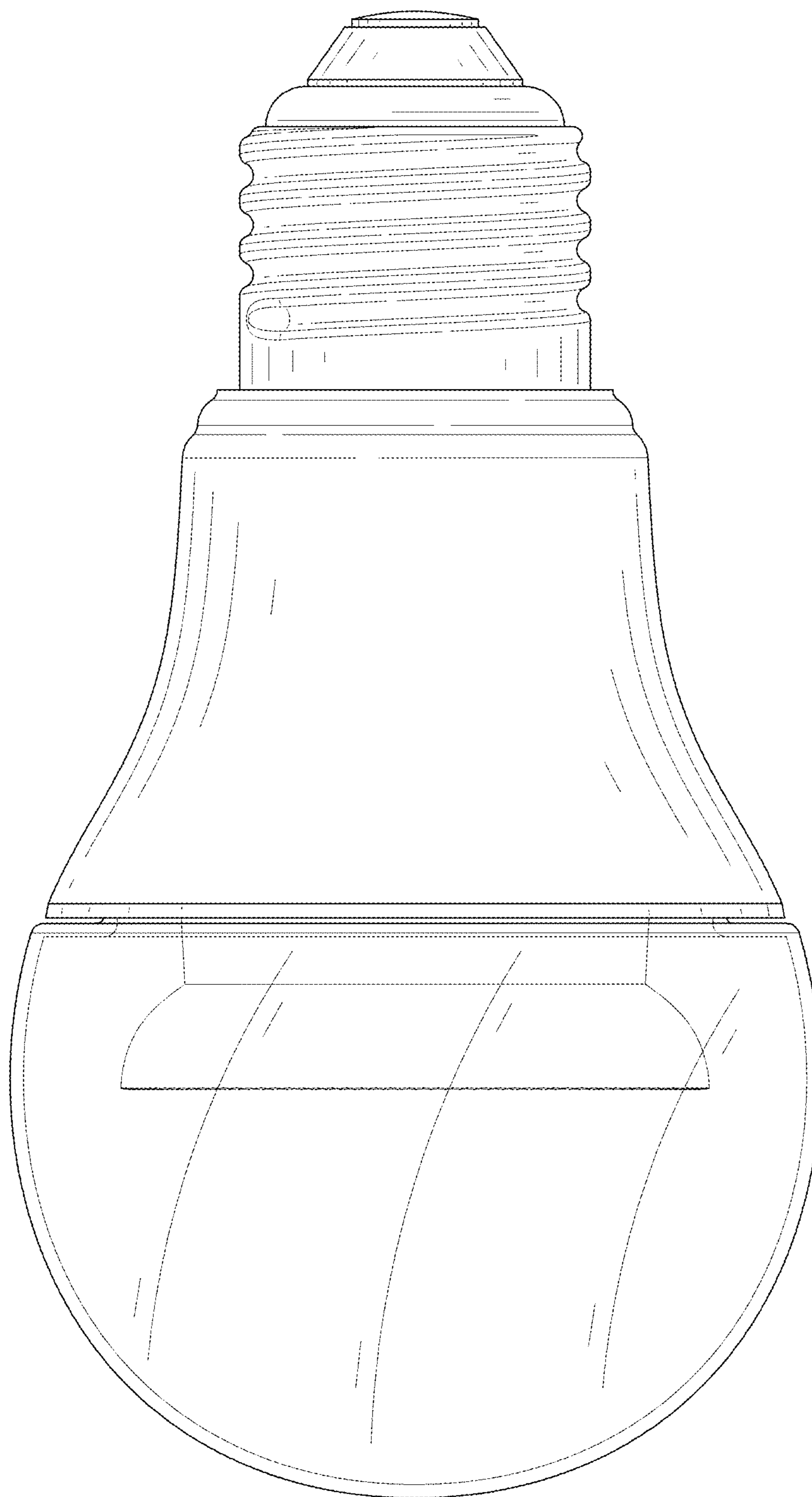


FIG. 6

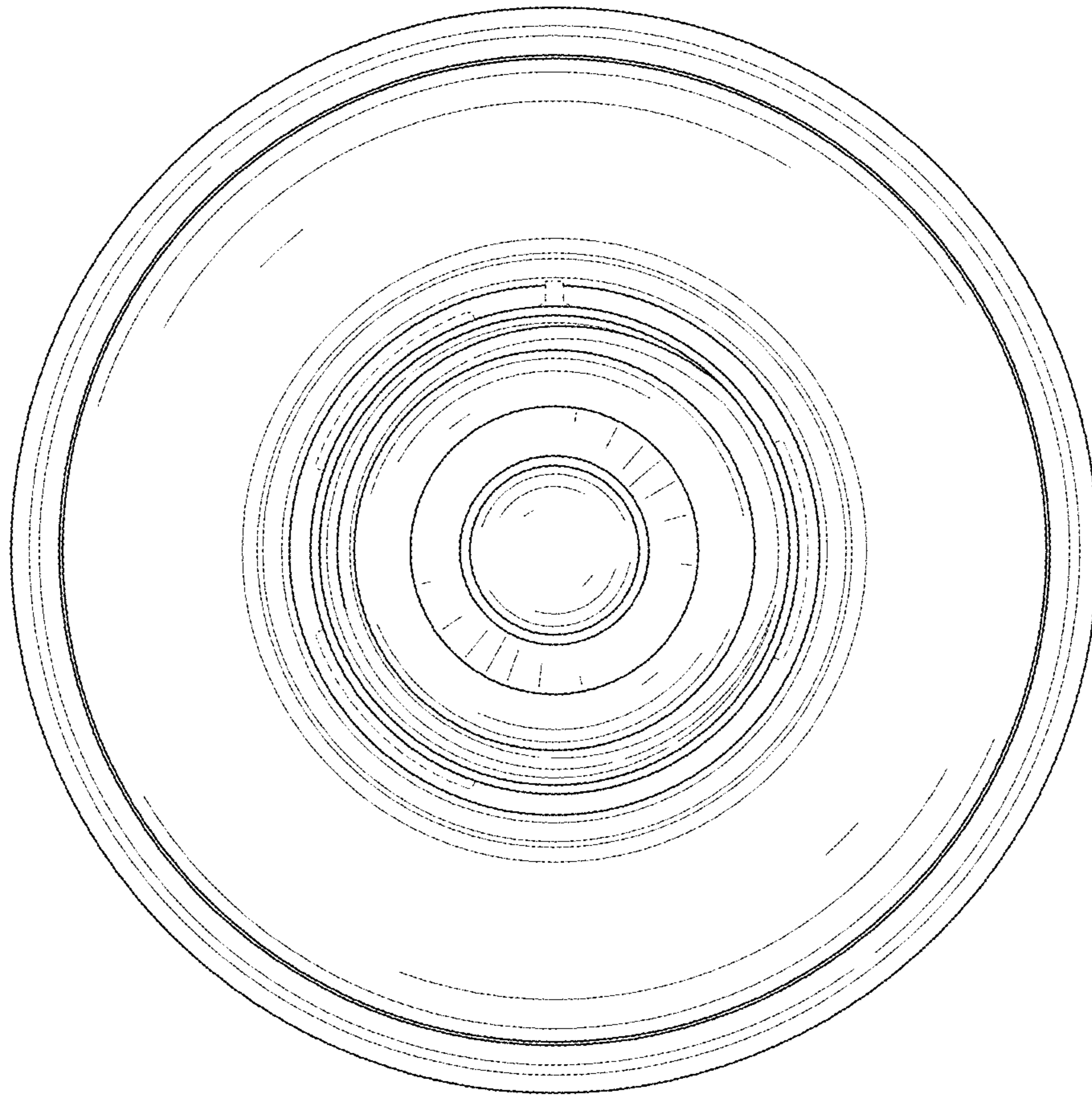


FIG. 7

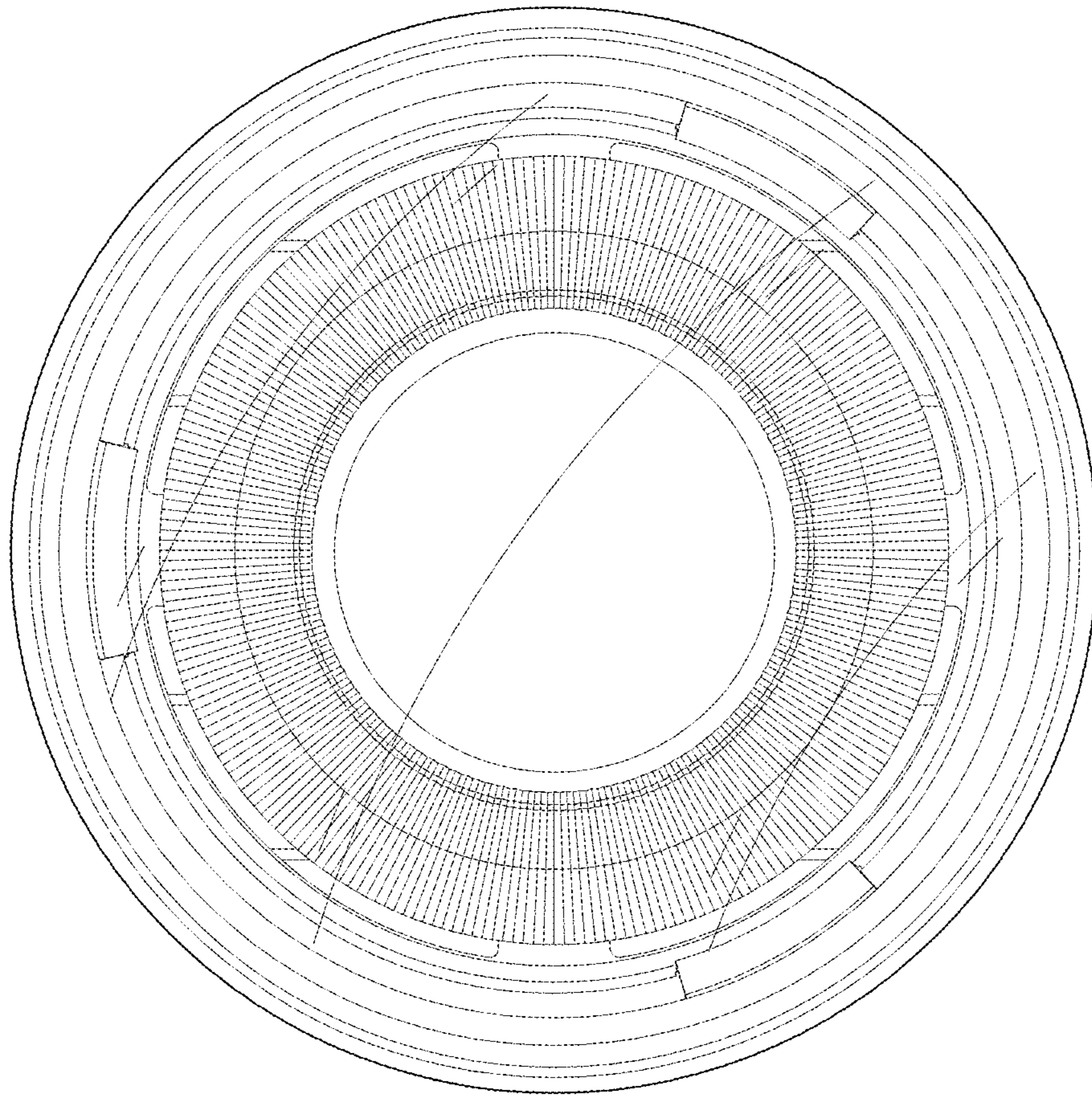


FIG. 8