



US00D940912S

(12) **United States Design Patent**
Savarton

(10) **Patent No.:** **US D940,912 S**
(45) **Date of Patent:** **** Jan. 11, 2022**

(54) **PANEL TREAD FOR A PAVING SYSTEM**

6,214,428 B1 * 4/2001 Henderson B27M 3/0046
238/14

(71) Applicant: **Ecoform Pty Ltd**, Yundi (AU)

8,382,393 B1 * 2/2013 Phillips E01C 9/086
404/35

(72) Inventor: **Franek Savarton**, Yundi (AU)

D721,445 S * 1/2015 Kugler D25/157
10,060,079 B2 * 8/2018 Wilson B66C 1/66

(73) Assignee: **Ecoform Pty Ltd**, Yundi (AU)

10,273,638 B1 * 4/2019 Penland, Jr. B32B 3/06
10,458,074 B1 * 10/2019 Dagesse E01C 5/003

(**) Term: **15 Years**

* cited by examiner

(21) Appl. No.: **29/719,639**

Primary Examiner — Doris Clark

(22) Filed: **Jan. 6, 2020**

(74) *Attorney, Agent, or Firm* — Fitch, Even, Tabin &
Flannery LLP

(30) **Foreign Application Priority Data**

Jul. 5, 2019 (AU) 201913798

(51) **LOC (13) Cl.** **25-01**

(52) **U.S. Cl.**
USPC **D25/157**

(58) **Field of Classification Search**

USPC D25/150, 157, 158
CPC ... E01C 5/00; E01C 5/14; E01C 15/00; E01C
13/04; E01C 9/086; E01F 9/578; E01F
9/594

See application file for complete search history.

(56) **References Cited**

U.S. PATENT DOCUMENTS

D299,872 S * 2/1989 Jennings D25/157
5,032,037 A * 7/1991 Phillips E01C 9/086
404/73

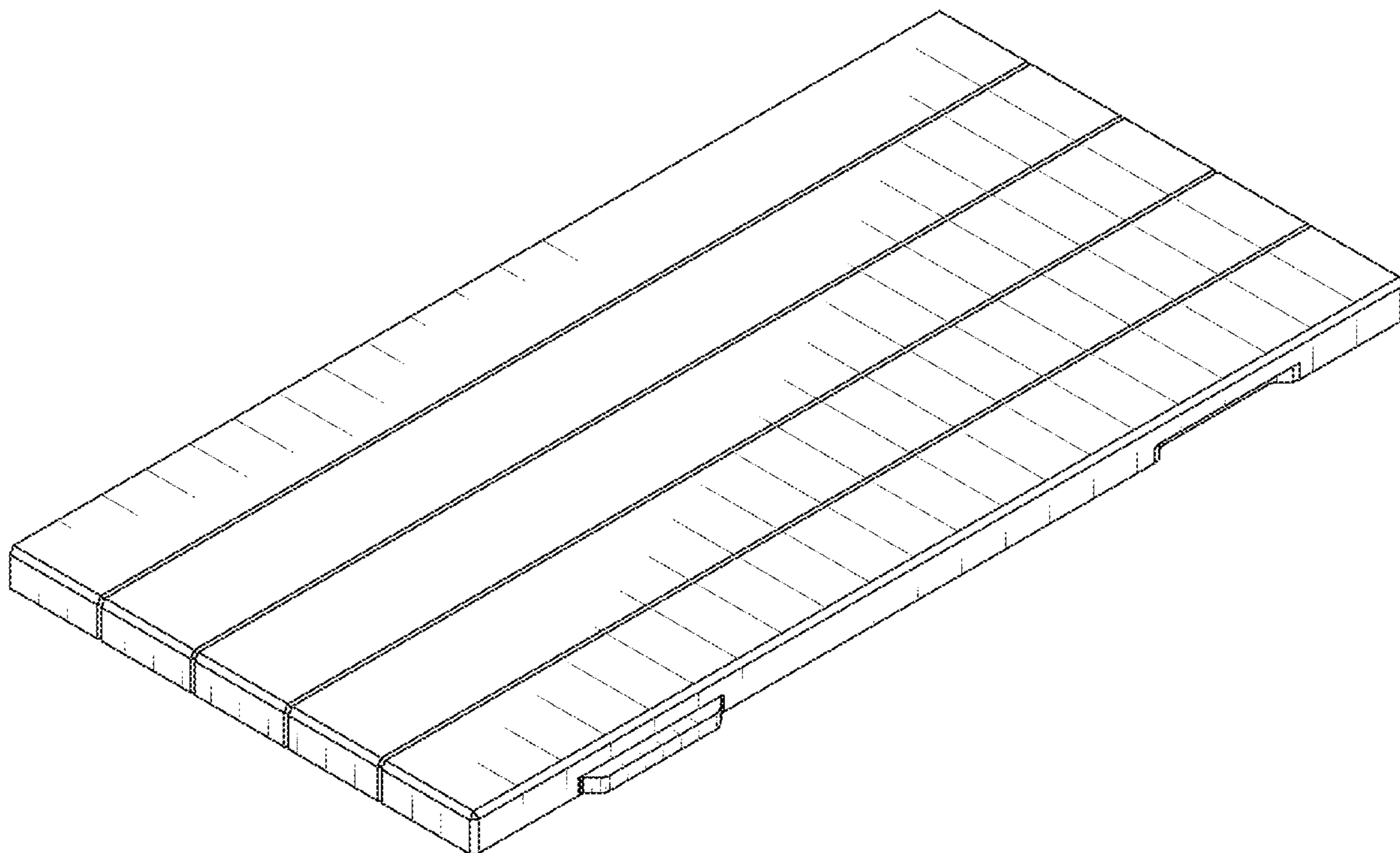
(57) **CLAIM**

I claim the ornamental design for a panel tread for a paving system, as shown and described.

DESCRIPTION

FIG. 1 is a top perspective view of a panel tread for a paving system, showing my new design;
FIG. 2 is a bottom perspective view thereof;
FIG. 3 is a top plan view thereof;
FIG. 4 is a bottom plan view thereof;
FIG. 5 is a right side elevational view thereof, the left side elevational view being a mirror image thereof; and,
FIG. 6 is a front end elevational view thereof, the rear end elevational view being a mirror image thereof.

1 Claim, 6 Drawing Sheets



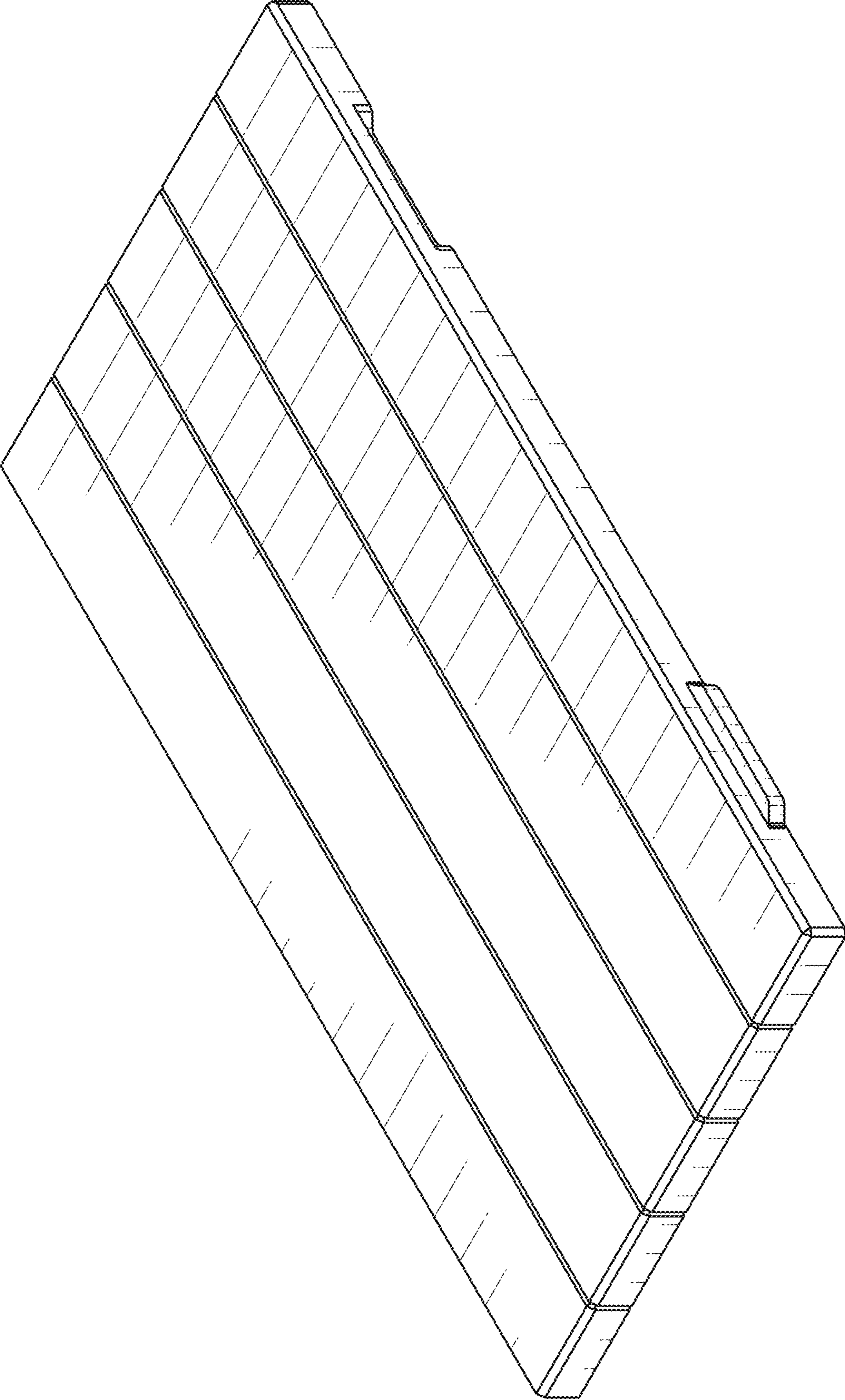


FIG. 1

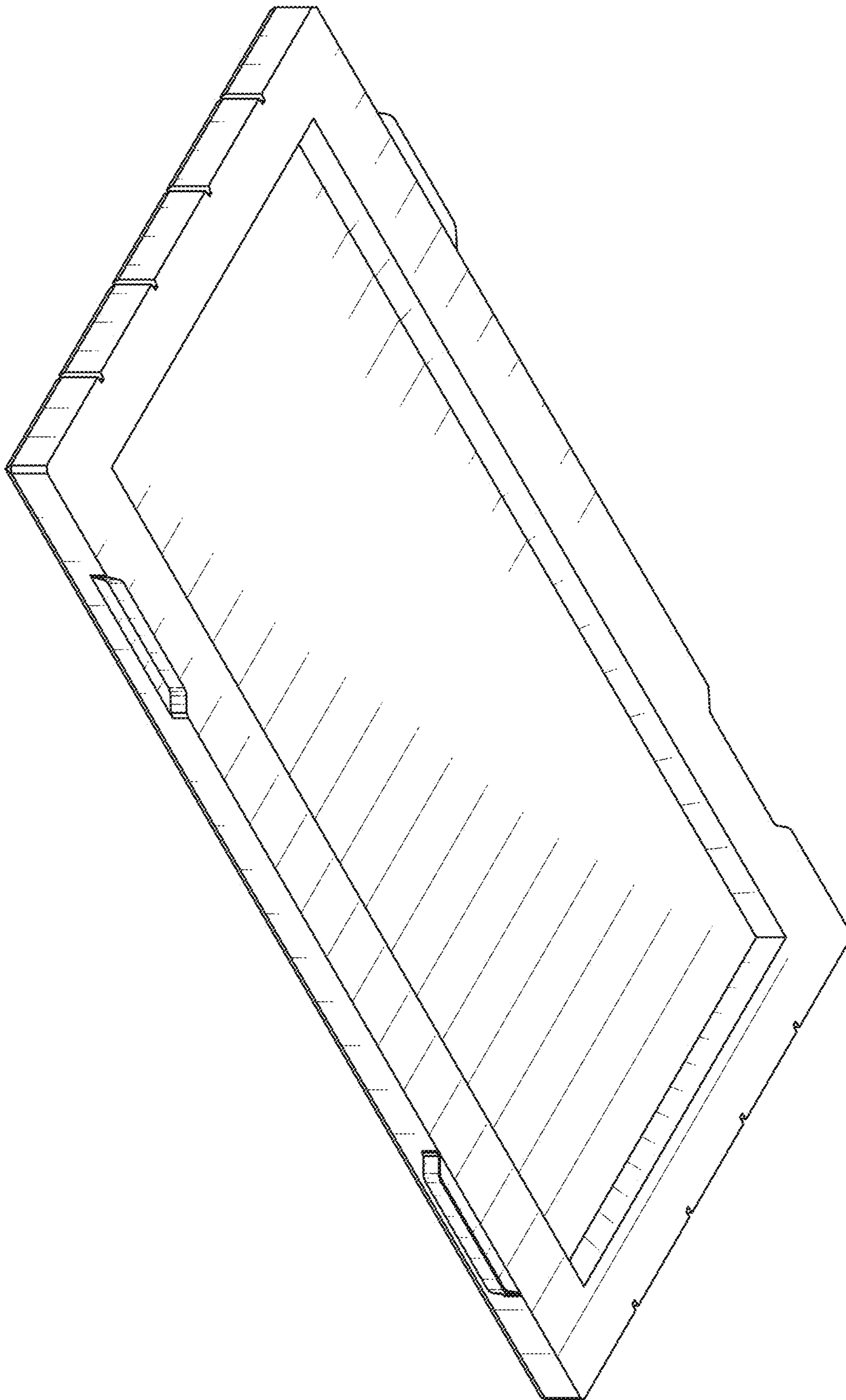


FIG. 2

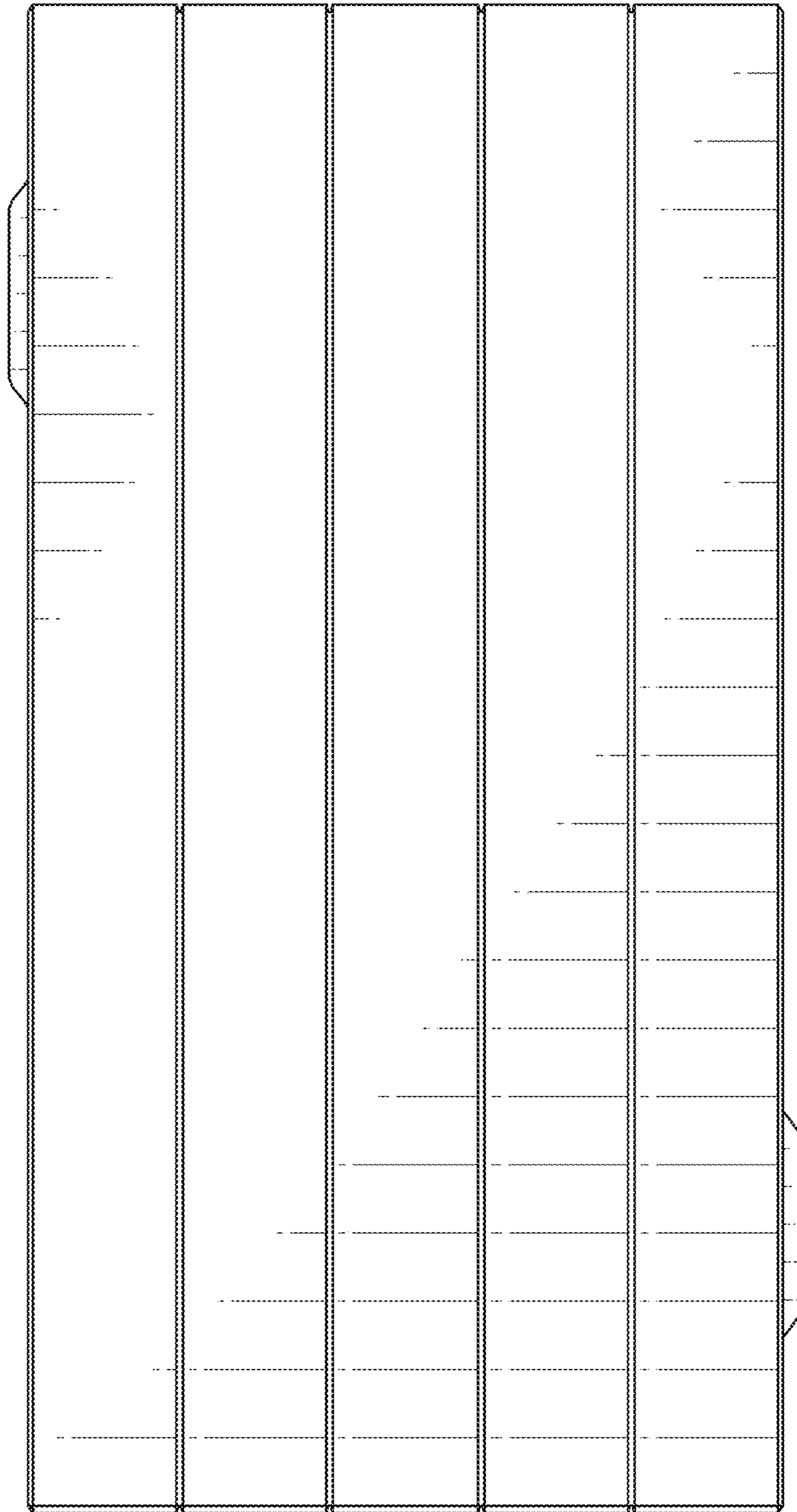


FIG. 3

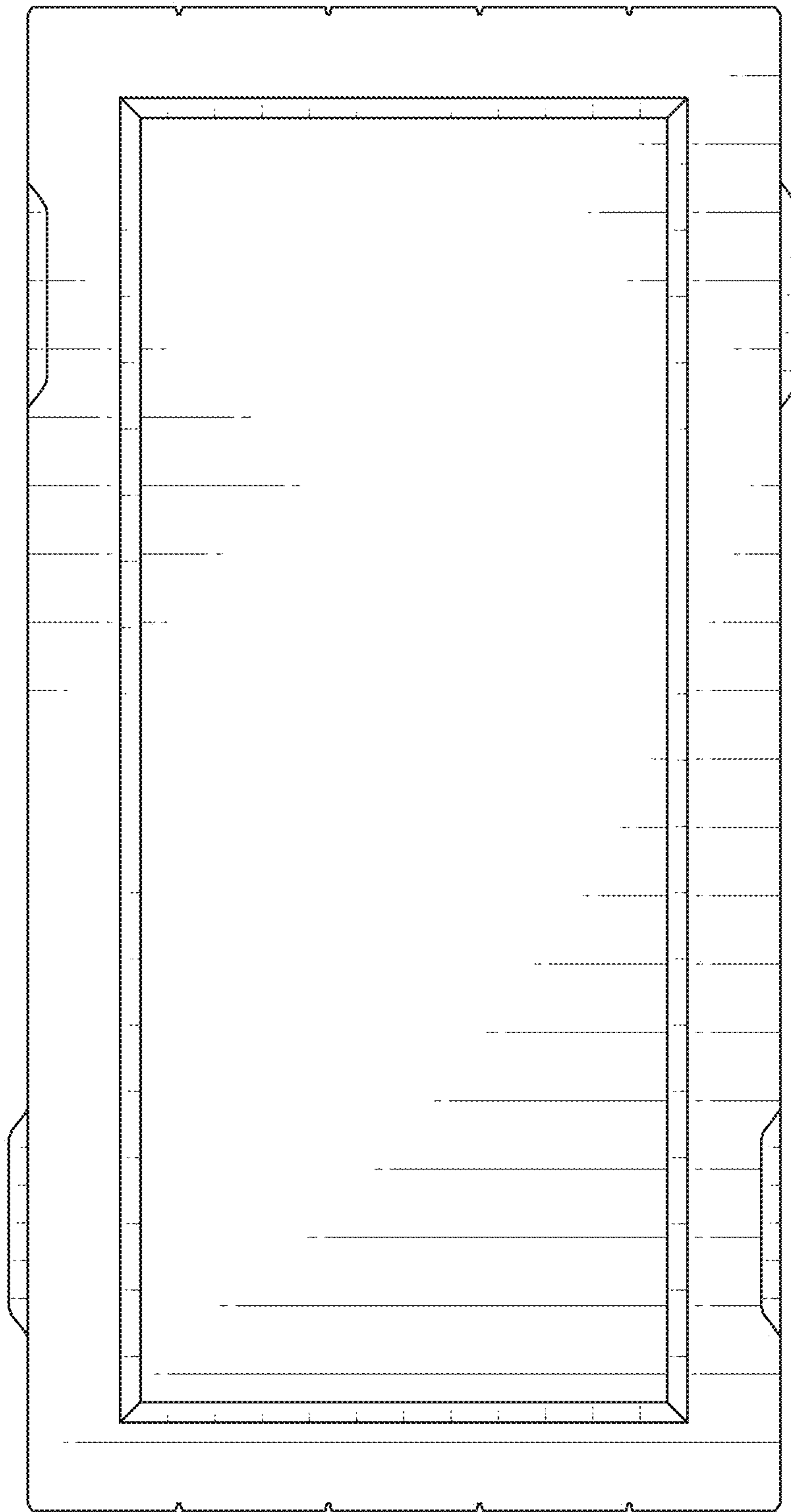


FIG. 4

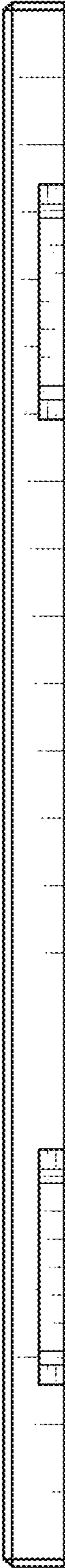


FIG. 5

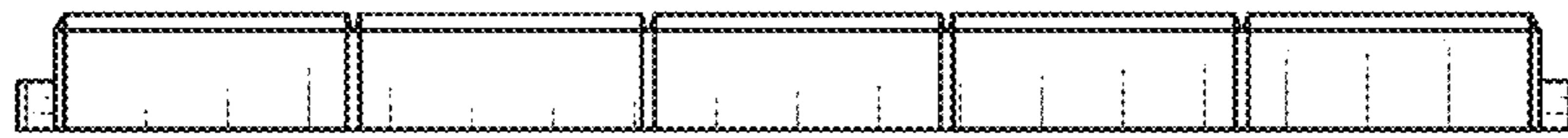


FIG. 6