



US00D940910S

(12) **United States Design Patent**
Stocks et al.

(10) **Patent No.:** **US D940,910 S**

(45) **Date of Patent:** **** Jan. 11, 2022**

- (54) **ARCHITECTURAL PANEL**
- (71) Applicant: **Smith & Fong Co.**, Novato, CA (US)
- (72) Inventors: **Donald Angus Stocks**, Novato, CA (US); **Robin Reigi**, Staten Island, NY (US)
- (73) Assignee: **Smith & Fong, Inc.**, Novato, CA (US)
- (**) Term: **15 Years**
- (21) Appl. No.: **29/713,730**
- (22) Filed: **Nov. 18, 2019**
- (51) **LOC (13) Cl.** **25-01**
- (52) **U.S. Cl.**
USPC **D25/138**
- (58) **Field of Classification Search**
USPC D25/119–125, 138, 139, 141–144, 145, 146, 147, 148, 149, 150, 151, 152, 153, 154, 155, 156, 157, 158, 159, 160, 161, 162, 163, 164, 165, 166, 167, 168, 169, 170, 171, 172, 173, 174, 175, 176, 177, 178, 179, 180, 181, 182, 183, 184, 185, 186, 187, 188, 189, 190, 191, 192, 193, 194, 195, 196, 197, 198, 199, 200, 201, 202, 203, 204, 205, 206, 207, 208, 209, 210, 211, 212, 213, 214, 215, 216, 217, 218, 219, 220, 221, 222, 223, 224, 225, 226, 227, 228, 229, 230, 231, 232, 233, 234, 235, 236, 237, 238, 239, 240, 241, 242, 243, 244, 245, 246, 247, 248, 249, 250, 251, 252, 253, 254, 255, 256, 257, 258, 259, 260, 261, 262, 263, 264, 265, 266, 267, 268, 269, 270, 271, 272, 273, 274, 275, 276, 277, 278, 279, 280, 281, 282, 283, 284, 285, 286, 287, 288, 289, 290, 291, 292, 293, 294, 295, 296, 297, 298, 299, 300, 301, 302, 303, 304, 305, 306, 307, 308, 309, 310, 311, 312, 313, 314, 315, 316, 317, 318, 319, 320, 321, 322, 323, 324, 325, 326, 327, 328, 329, 330, 331, 332, 333, 334, 335, 336, 337, 338, 339, 340, 341, 342, 343, 344, 345, 346, 347, 348, 349, 350, 351, 352, 353, 354, 355, 356, 357, 358, 359, 360, 361, 362, 363, 364, 365, 366, 367, 368, 369, 370, 371, 372, 373, 374, 375, 376, 377, 378, 379, 380, 381, 382, 383, 384, 385, 386, 387, 388, 389, 390, 391, 392, 393, 394, 395, 396, 397, 398, 399, 400, 401, 402, 403, 404, 405, 406, 407, 408, 409, 410, 411, 412, 413, 414, 415, 416, 417, 418, 419, 420, 421, 422, 423, 424, 425, 426, 427, 428, 429, 430, 431, 432, 433, 434, 435, 436, 437, 438, 439, 440, 441, 442, 443, 444, 445, 446, 447, 448, 449, 450, 451, 452, 453, 454, 455, 456, 457, 458, 459, 460, 461, 462, 463, 464, 465, 466, 467, 468, 469, 470, 471, 472, 473, 474, 475, 476, 477, 478, 479, 480, 481, 482, 483, 484, 485, 486, 487, 488, 489, 490, 491, 492, 493, 494, 495, 496, 497, 498, 499, 500, 501, 502, 503, 504, 505, 506, 507, 508, 509, 510, 511, 512, 513, 514, 515, 516, 517, 518, 519, 520, 521, 522, 523, 524, 525, 526, 527, 528, 529, 530, 531, 532, 533, 534, 535, 536, 537, 538, 539, 540, 541, 542, 543, 544, 545, 546, 547, 548, 549, 550, 551, 552, 553, 554, 555, 556, 557, 558, 559, 560, 561, 562, 563, 564, 565, 566, 567, 568, 569, 570, 571, 572, 573, 574, 575, 576, 577, 578, 579, 580, 581, 582, 583, 584, 585, 586, 587, 588, 589, 590, 591, 592, 593, 594, 595, 596, 597, 598, 599, 600, 601, 602, 603, 604, 605, 606, 607, 608, 609, 610, 611, 612, 613, 614, 615, 616, 617, 618, 619, 620, 621, 622, 623, 624, 625, 626, 627, 628, 629, 630, 631, 632, 633, 634, 635, 636, 637, 638, 639, 640, 641, 642, 643, 644, 645, 646, 647, 648, 649, 650, 651, 652, 653, 654, 655, 656, 657, 658, 659, 660, 661, 662, 663, 664, 665, 666, 667, 668, 669, 670, 671, 672, 673, 674, 675, 676, 677, 678, 679, 680, 681, 682, 683, 684, 685, 686, 687, 688, 689, 690, 691, 692, 693, 694, 695, 696, 697, 698, 699, 700, 701, 702, 703, 704, 705, 706, 707, 708, 709, 710, 711, 712, 713, 714, 715, 716, 717, 718, 719, 720, 721, 722, 723, 724, 725, 726, 727, 728, 729, 730, 731, 732, 733, 734, 735, 736, 737, 738, 739, 740, 741, 742, 743, 744, 745, 746, 747, 748, 749, 750, 751, 752, 753, 754, 755, 756, 757, 758, 759, 760, 761, 762, 763, 764, 765, 766, 767, 768, 769, 770, 771, 772, 773, 774, 775, 776, 777, 778, 779, 780, 781, 782, 783, 784, 785, 786, 787, 788, 789, 790, 791, 792, 793, 794, 795, 796, 797, 798, 799, 800, 801, 802, 803, 804, 805, 806, 807, 808, 809, 810, 811, 812, 813, 814, 815, 816, 817, 818, 819, 820, 821, 822, 823, 824, 825, 826, 827, 828, 829, 830, 831, 832, 833, 834, 835, 836, 837, 838, 839, 840, 841, 842, 843, 844, 845, 846, 847, 848, 849, 850, 851, 852, 853, 854, 855, 856, 857, 858, 859, 860, 861, 862, 863, 864, 865, 866, 867, 868, 869, 870, 871, 872, 873, 874, 875, 876, 877, 878, 879, 880, 881, 882, 883, 884, 885, 886, 887, 888, 889, 890, 891, 892, 893, 894, 895, 896, 897, 898, 899, 900, 901, 902, 903, 904, 905, 906, 907, 908, 909, 910, 911, 912, 913, 914, 915, 916, 917, 918, 919, 920, 921, 922, 923, 924, 925, 926, 927, 928, 929, 930, 931, 932, 933, 934, 935, 936, 937, 938, 939, 940, 941, 942, 943, 944, 945, 946, 947, 948, 949, 950, 951, 952, 953, 954, 955, 956, 957, 958, 959, 960, 961, 962, 963, 964, 965, 966, 967, 968, 969, 970, 971, 972, 973, 974, 975, 976, 977, 978, 979, 980, 981, 982, 983, 984, 985, 986, 987, 988, 989, 990, 991, 992, 993, 994, 995, 996, 997, 998, 999, 1000

- D263,757 S * 4/1982 Dallaire D25/125
- 4,486,998 A * 12/1984 Hague E04D 3/3607
- 52/478
- D390,732 S * 2/1998 Nadar D25/125
- D426,321 S * 6/2000 Lockwood D25/138
- D448,865 S * 10/2001 Manning D25/139
- D603,533 S * 11/2009 Gleeson D25/125
- D608,473 S * 1/2010 Larson D25/138
- D667,963 S * 9/2012 Griffiths D25/125
- D677,401 S * 3/2013 Griffiths D25/119
- D687,976 S * 8/2013 Griffiths D25/119
- D687,977 S * 8/2013 Griffiths D25/119
- D690,442 S * 9/2013 Griffiths D25/119
- D690,838 S * 10/2013 Griffiths D25/119
- D698,944 S * 2/2014 Griffiths D25/119
- D718,884 S * 12/2014 Thrush D25/125
- D733,328 S * 6/2015 Griffiths D25/119
- D733,329 S * 6/2015 Griffiths D25/119
- D734,501 S * 7/2015 Bodwell D25/119
- D781,461 S * 3/2017 Thrush D25/121
- D805,219 S * 12/2017 Shen D25/138
- D831,234 S * 10/2018 Clayton D25/141
- D831,235 S * 10/2018 Clayton D25/141

(Continued)

Primary Examiner — Llorellys Martinez
(74) *Attorney, Agent, or Firm* — Steven R. Vosen

(57) **CLAIM**

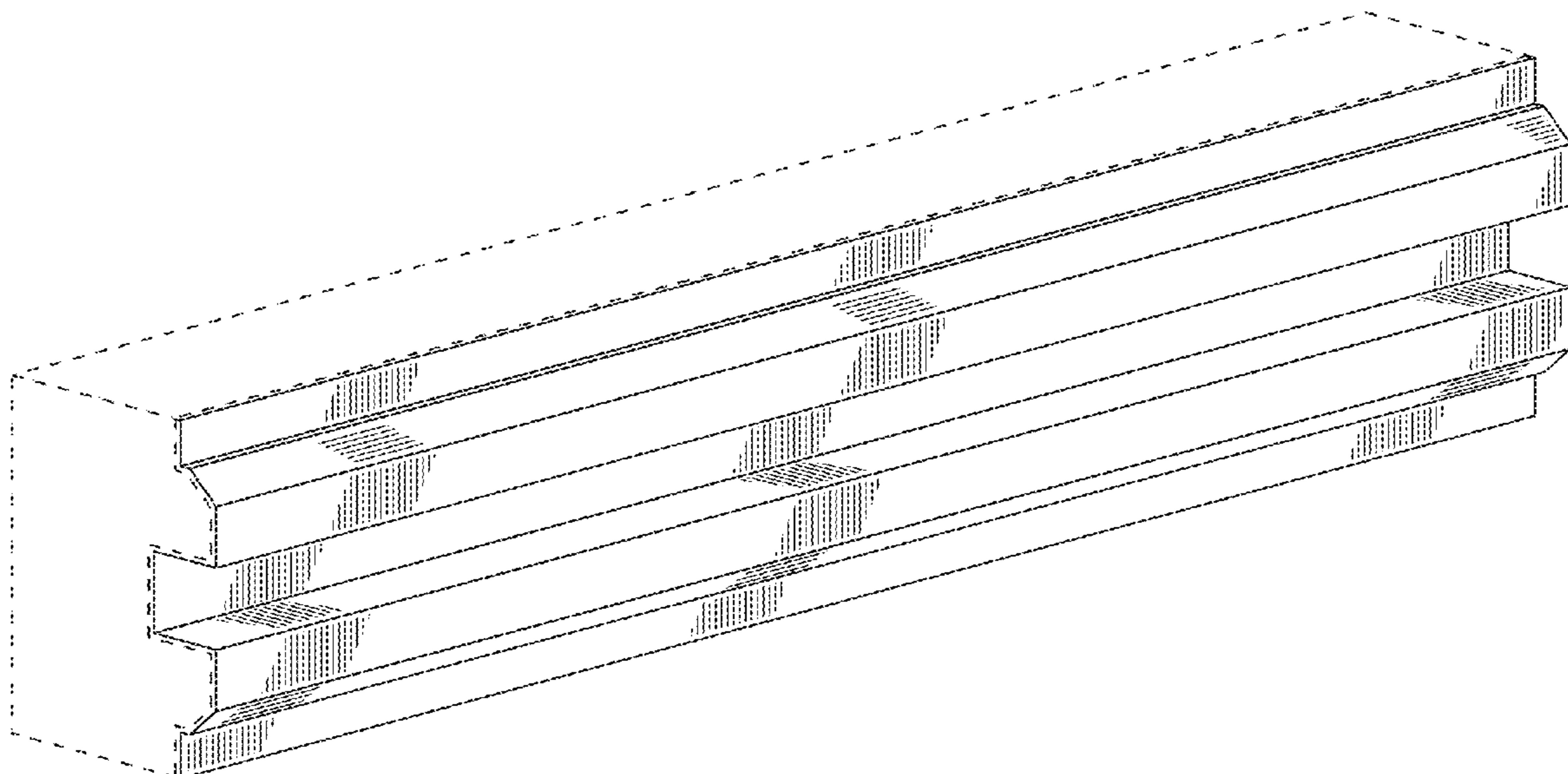
The ornamental design for an architectural panel, as shown and described.

DESCRIPTION

FIG. 1 is an upper front left perspective view of an architectural panel showing our new design; FIG. 2 is a front elevational view thereof; FIG. 3 is a left side elevational view thereof, the right side elevational view is a mirror image thereof; and, FIG. 4 is a top plan view thereof, the bottom plan view being identical thereto. The broken lines in the drawings represent portions of the architectural panel that form no part of the claimed design.

1 Claim, 2 Drawing Sheets

- (56) **References Cited**
U.S. PATENT DOCUMENTS
- 3,466,831 A * 9/1969 Lenoir E04C 2/292
D25/123
- D215,963 S * 11/1969 Flachbarth D25/121
- D216,836 S * 3/1970 Faulkner D25/125
- 3,674,620 A * 7/1972 McCarthy et al. B32B 23/08
D25/119
- D263,752 S * 4/1982 Dallaire D25/125



(56)

References Cited

U.S. PATENT DOCUMENTS

2018/0030722 A1* 2/2018 Battaglia E04B 5/12
2019/0203477 A1* 7/2019 Hill E04F 13/007

* cited by examiner

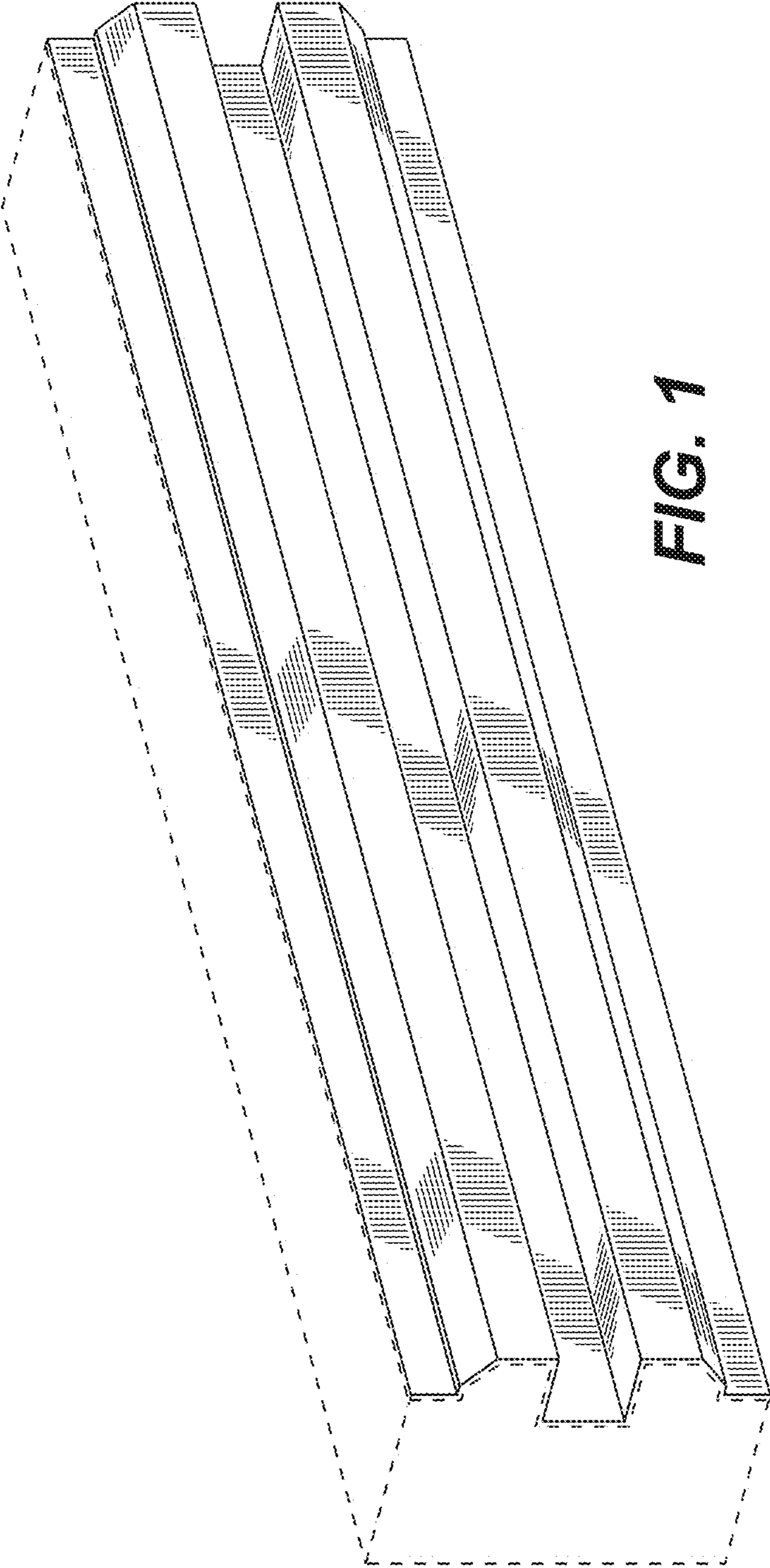


FIG. 1

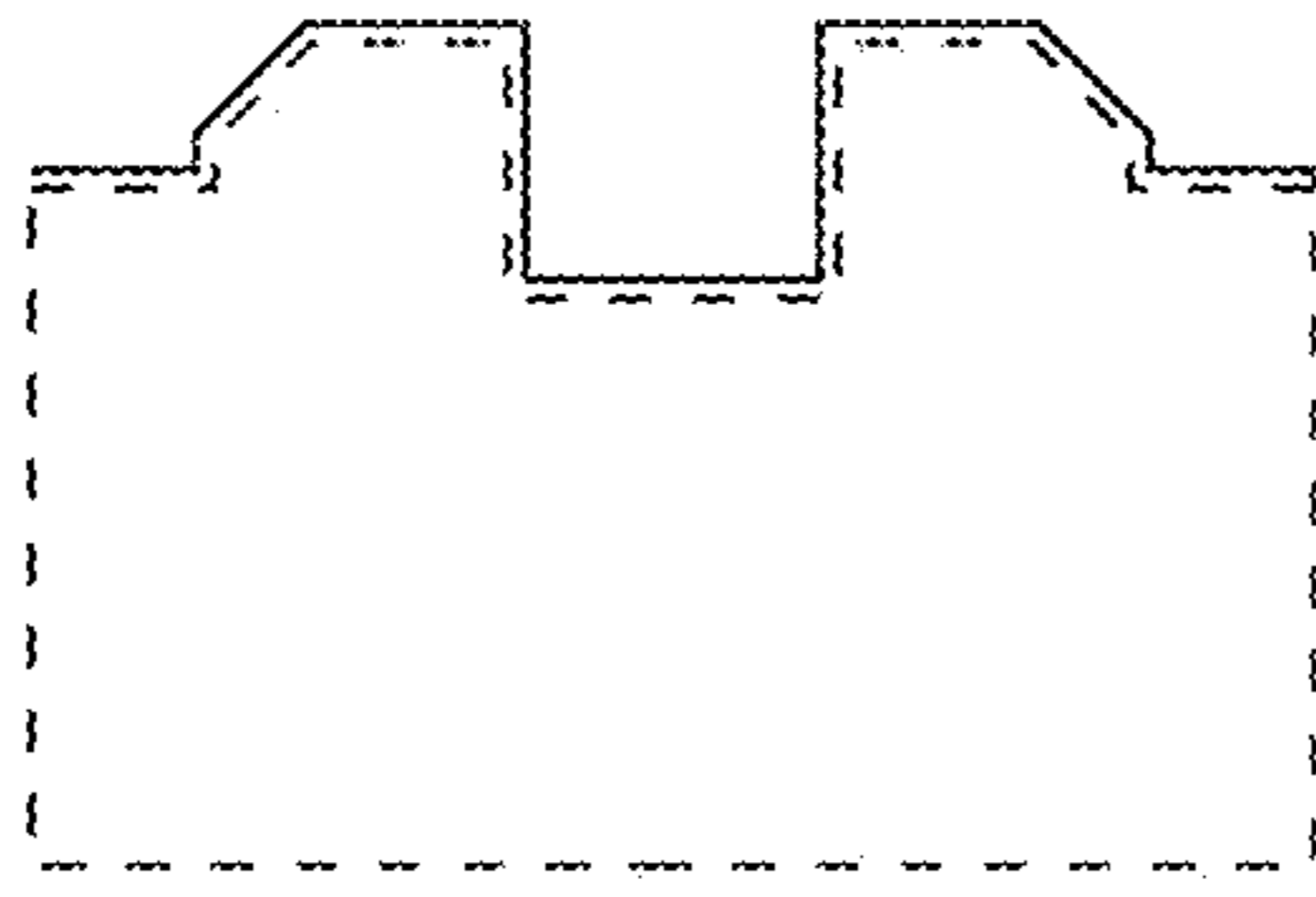


FIG. 3

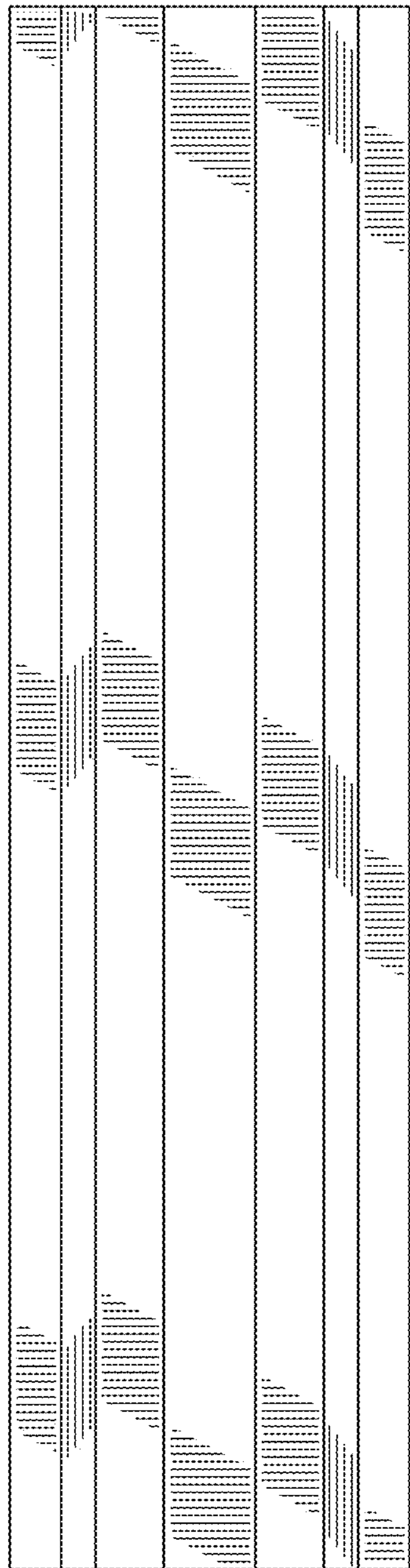


FIG. 2

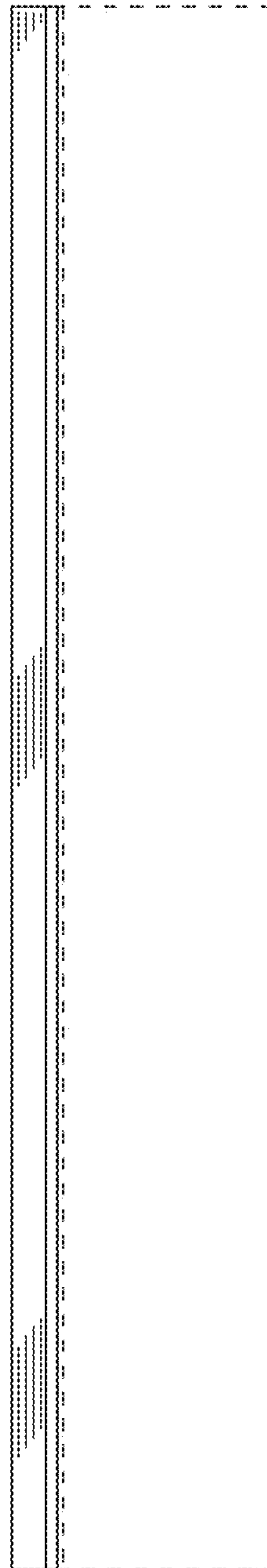


FIG. 4