



US00D940909S

(12) **United States Design Patent** (10) **Patent No.:** **US D940,909 S**
Meroueh (45) **Date of Patent:** **** Jan. 11, 2022**

(54) **BARRIER BASE**

(56) **References Cited**

(71) Applicant: **Laureen Meroueh**, Cambridge, MA (US)

U.S. PATENT DOCUMENTS

(72) Inventor: **Laureen Meroueh**, Cambridge, MA (US)

D437,770	S	*	2/2001	Garske	D8/349
D465,988	S		11/2002	Green		
D475,995	S	*	6/2003	Hsieh	D14/229
D486,591	S		2/2004	Prokop		
6,948,283	B2		9/2005	Herion		
D623,500	S	*	9/2010	Langner	D8/349
D638,406	S	*	5/2011	Chiang	D14/224
D696,835	S		12/2013	Rogerson		
D736,269	S	*	8/2015	Paterson	D15/29
D748,680	S	*	2/2016	Ainge	D15/29
D817,742	S	*	5/2018	Sarnowski	D8/349
D823,902	S	*	7/2018	Paterson	D15/28
D860,173	S	*	9/2019	Nokuo	D14/223
D863,228	S	*	10/2019	Qi	D13/155
D876,811	S	*	3/2020	Vanderminde	D3/10

(**) Term: **15 Years**

(21) Appl. No.: **29/687,077**

(22) Filed: **Apr. 10, 2019**

(51) **LOC (13) Cl.** **25-01**

(52) **U.S. Cl.**
USPC **D25/133**

(58) **Field of Classification Search**

USPC D25/125, 126, 127, 128, 129, 130, 131,
D25/132, 133, 134, 135, 136, 119;
D8/349, 382, 384, 385, 396, 402
CPC E04H 17/16; E04H 17/20; E04H 17/00;
E04H 17/05; E04H 17/124; E04H
17/1404; E04H 17/1447; E04H 12/2261;
E04H 12/2276; E04H 17/08; G09F
15/0006; G09F 15/0037; D10B
2403/0333; E01F 13/022; E01F 15/0469;
E01F 15/141; E01F 15/0461; E01F
15/0476; E01F 9/681; F16M 13/02; G06T
11/60; A47B 95/043; B65G 1/02; B65G
2207/40; Y10S 256/05; E02D 27/42;
E04B 1/4107

See application file for complete search history.

* cited by examiner

Primary Examiner — Samantha Q Lawrence
(74) *Attorney, Agent, or Firm* — Ross Brandborg

(57) **CLAIM**

I claim the ornamental design for a barrier base, as shown and described.

DESCRIPTION

FIG. 1 shows a top perspective view of a barrier base; FIG. 2 shows a bottom perspective view thereof; and, FIG. 3 shows a bottom plan view thereof.

1 Claim, 3 Drawing Sheets

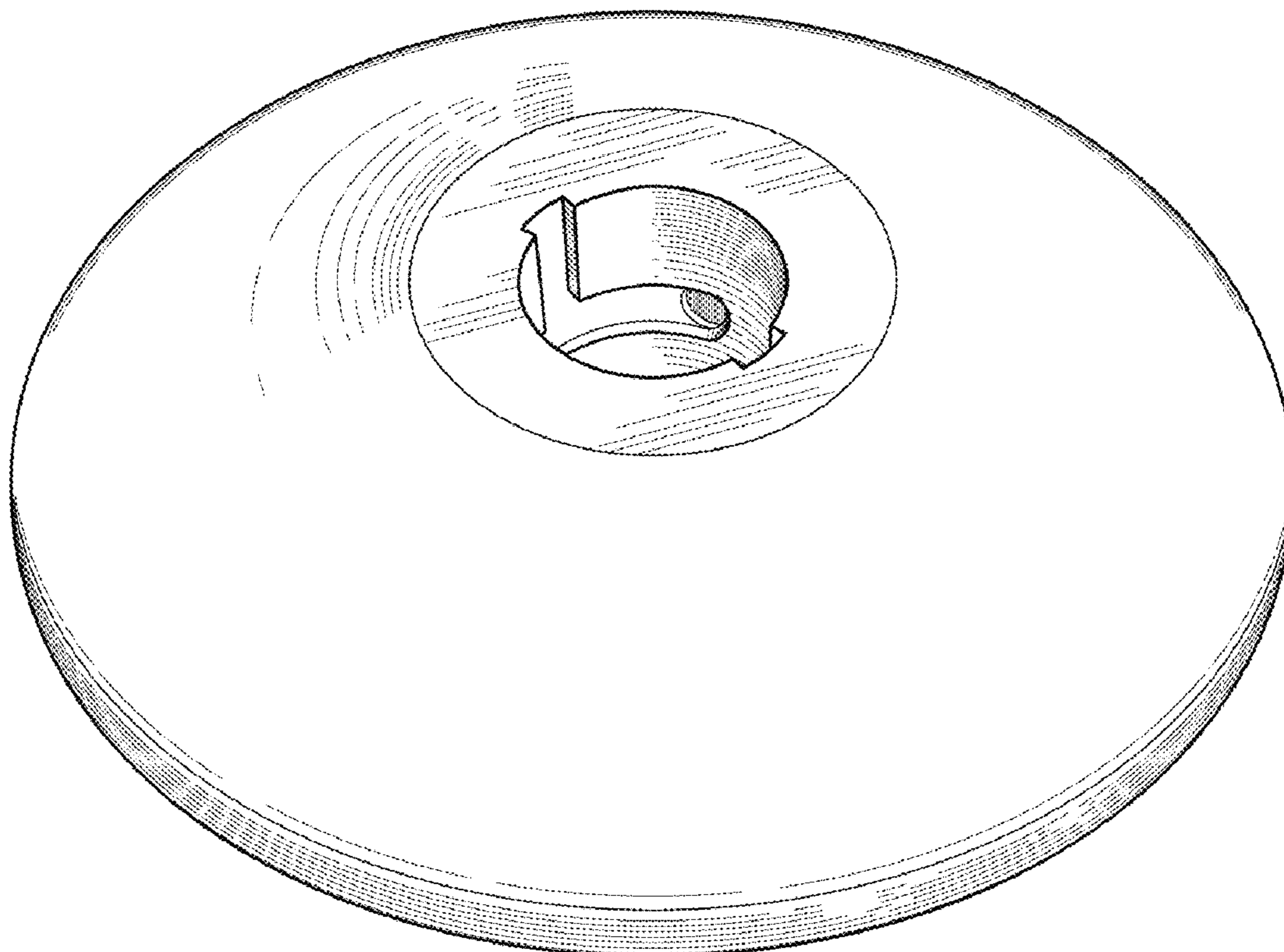


FIG.1

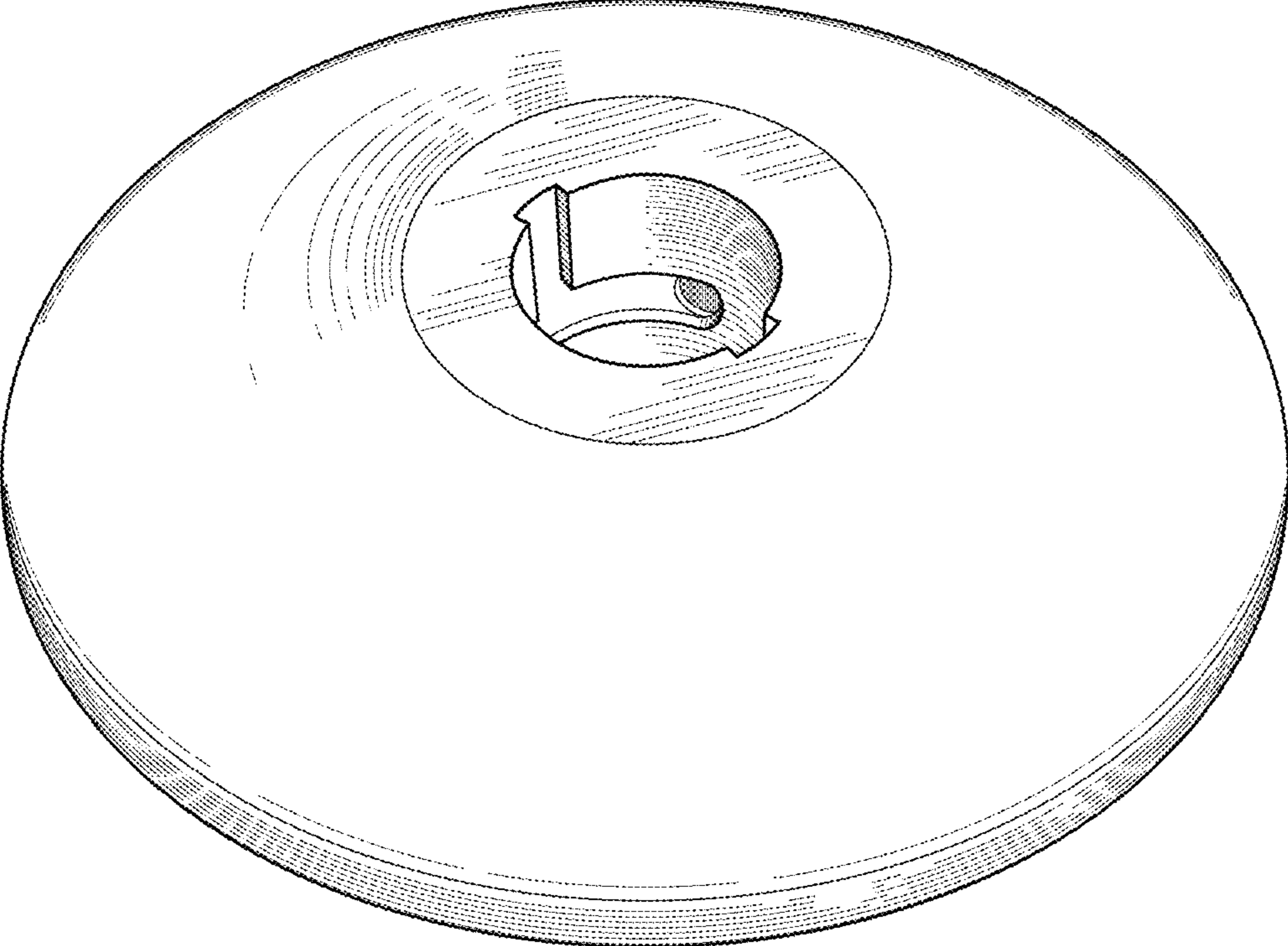


FIG.2

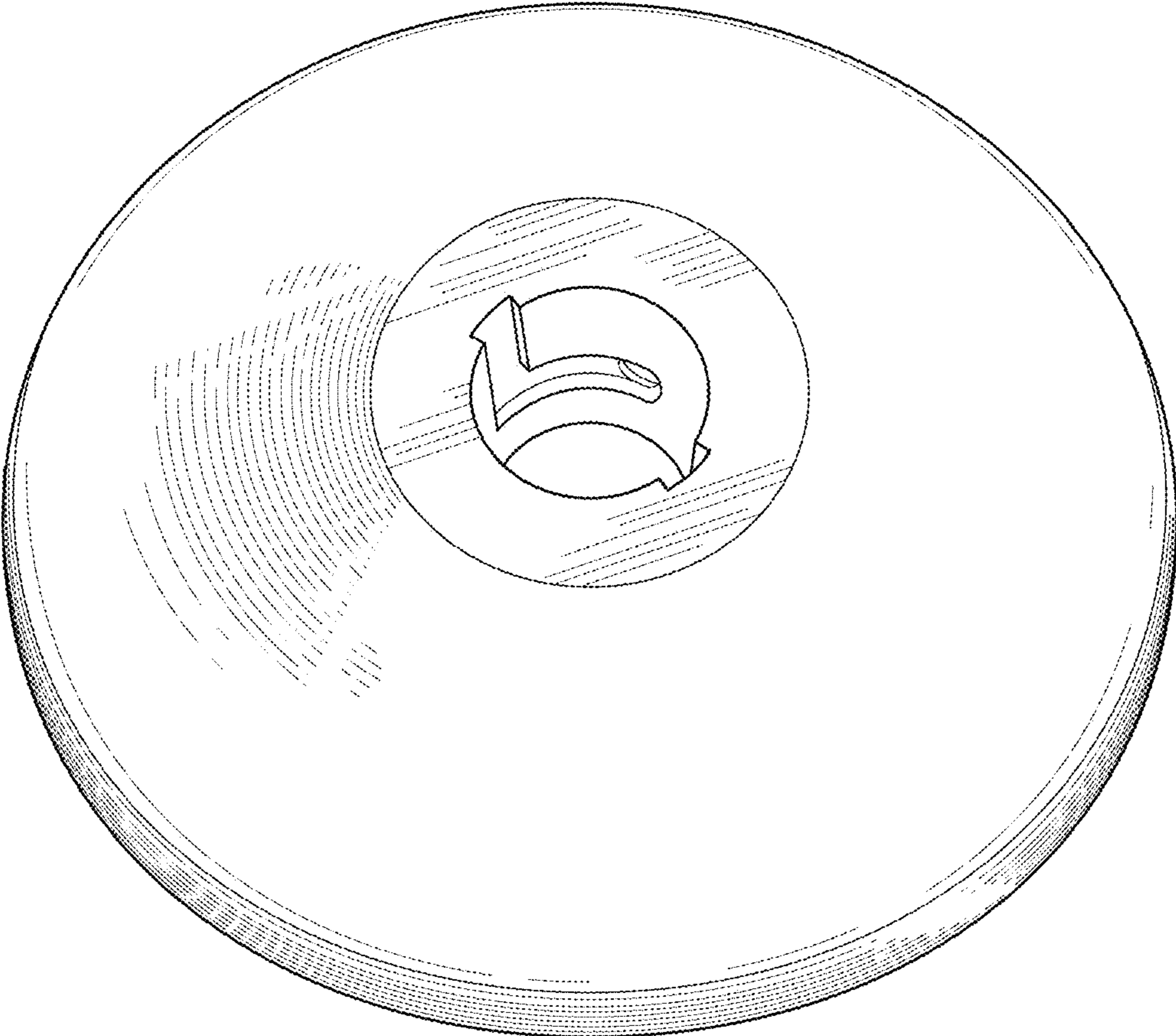


FIG.3

