

US00D940906S

(12) **United States Design Patent** (10) **Patent No.:** **US D940,906 S**
Andresen (45) **Date of Patent:** **** Jan. 11, 2022**

(54) **BUILDING MATERIAL**
 (71) Applicant: **TA Towers ApS**, Odense SV (DK)
 (72) Inventor: **Tom Andresen**, Algarve (PT)
 (73) Assignee: **TA TOWERS APS**, Odense SV (DK)
 (**) Term: **15 Years**
 (21) Appl. No.: **35/508,917**
 (22) Filed: **Sep. 27, 2019**
 (80) **Hague Agreement Data**
 Int. Filing Date: **Sep. 27, 2019**
 Int. Reg. No.: **DM/206270**
 Int. Reg. Date: **Sep. 27, 2019**
 Int. Reg. Pub. Date: **Mar. 27, 2020**

D173,833 S * 1/1955 Brinson D25/121
 D200,702 S * 3/1965 Huret D25/121
 D245,869 S * 9/1977 Otani D25/121
 D250,420 S * 11/1978 Ward D23/393
 D260,039 S * 7/1981 de Ruiter D25/121
 D265,509 S * 7/1982 Popek D25/121
 D395,456 S * 6/1998 Ito D20/42
 D457,972 S * 5/2002 Harel D25/121
 D574,970 S * 8/2008 Taylor D25/121
 D601,177 S * 9/2009 Rosso D15/138
 D677,405 S * 3/2013 Landis D25/121
 D723,716 S * 3/2015 Imus D25/121
 D848,641 S * 5/2019 Mitchell D25/121
 D895,415 S * 9/2020 Unruh, Sr. D8/403

* cited by examiner

Primary Examiner — Khawaja Anwar
 (74) *Attorney, Agent, or Firm* — Knobbe, Martens, Olson & Bear, LLP

(30) **Foreign Application Priority Data**

Mar. 28, 2019 (EM) 006352332

(51) **LOC (13) Cl.** **25-01**
 (52) **U.S. Cl.**
 USPC **D25/121**

(58) **Field of Classification Search**
 USPC D25/121, 136, 138, 140, 144, 169, 119
 CPC B28B 1/001; B29C 64/10; B29C 64/124;
 B29C 64/153; B33Y 10/00; B33Y 30/00;
 B33Y 50/02; B33Y 80/00; B21B 1/227;
 B21B 2265/24; B21B 2267/065; B21B
 2273/02; B21B 39/04
 See application file for complete search history.

(56) **References Cited**

U.S. PATENT DOCUMENTS

D21,313 S * 1/1892 Faulhaber D25/121
 1,044,886 A * 11/1912 Hines et al. E04D 13/0722
 248/48.1
 D45,329 S * 3/1914 de Turckheim D12/173

(57) **CLAIM**

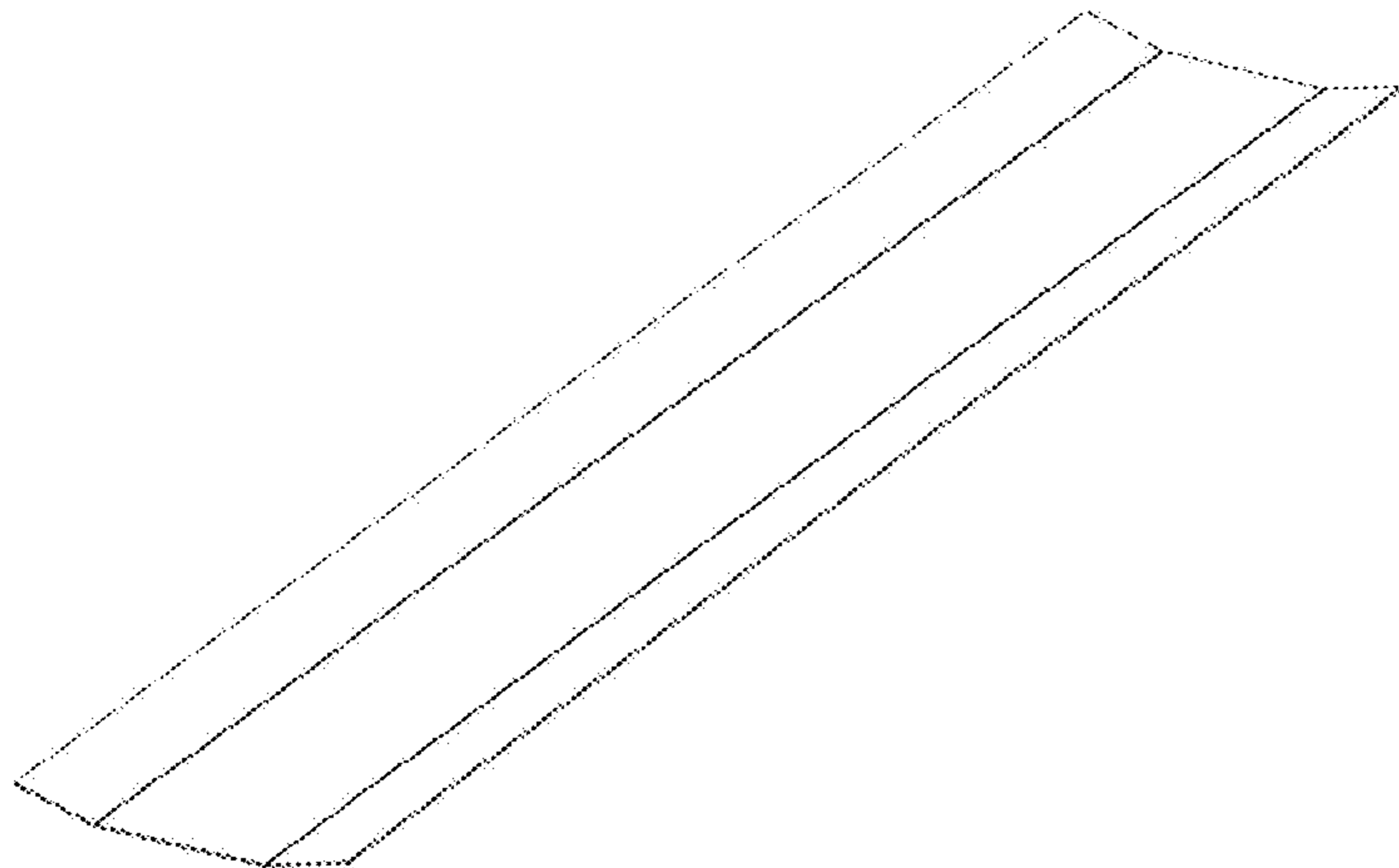
The ornamental design for building materials, as shown and described.

DESCRIPTION

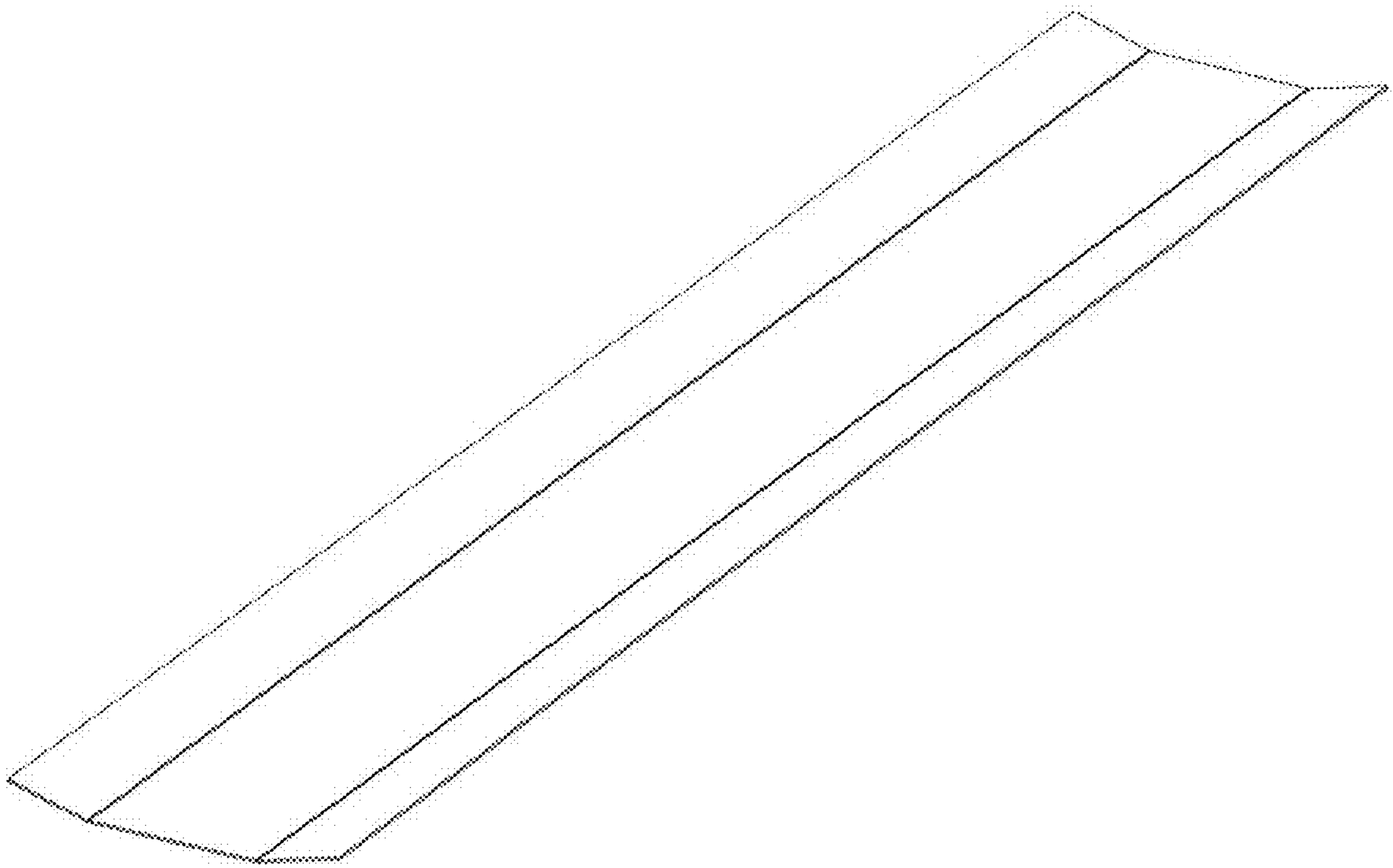
- 1.-4. Building material
- 1.1 : Perspective
- 1.2 : Top
- 1.3 : Front
- 1.4 : Left
- 1.5 : Right
- 1.6 : Bottom
- 1.7 : Back
- 2.1 : Front
- 2.2 : Back
- 2.3 : Left
- 2.4 : Right
- 2.5 : Top
- 2.6 : Bottom

The double dot-dashed lines shown in the reproductions are only to indicate an omitted length and form no part of the claimed design.

1 Claim, 13 Drawing Sheets



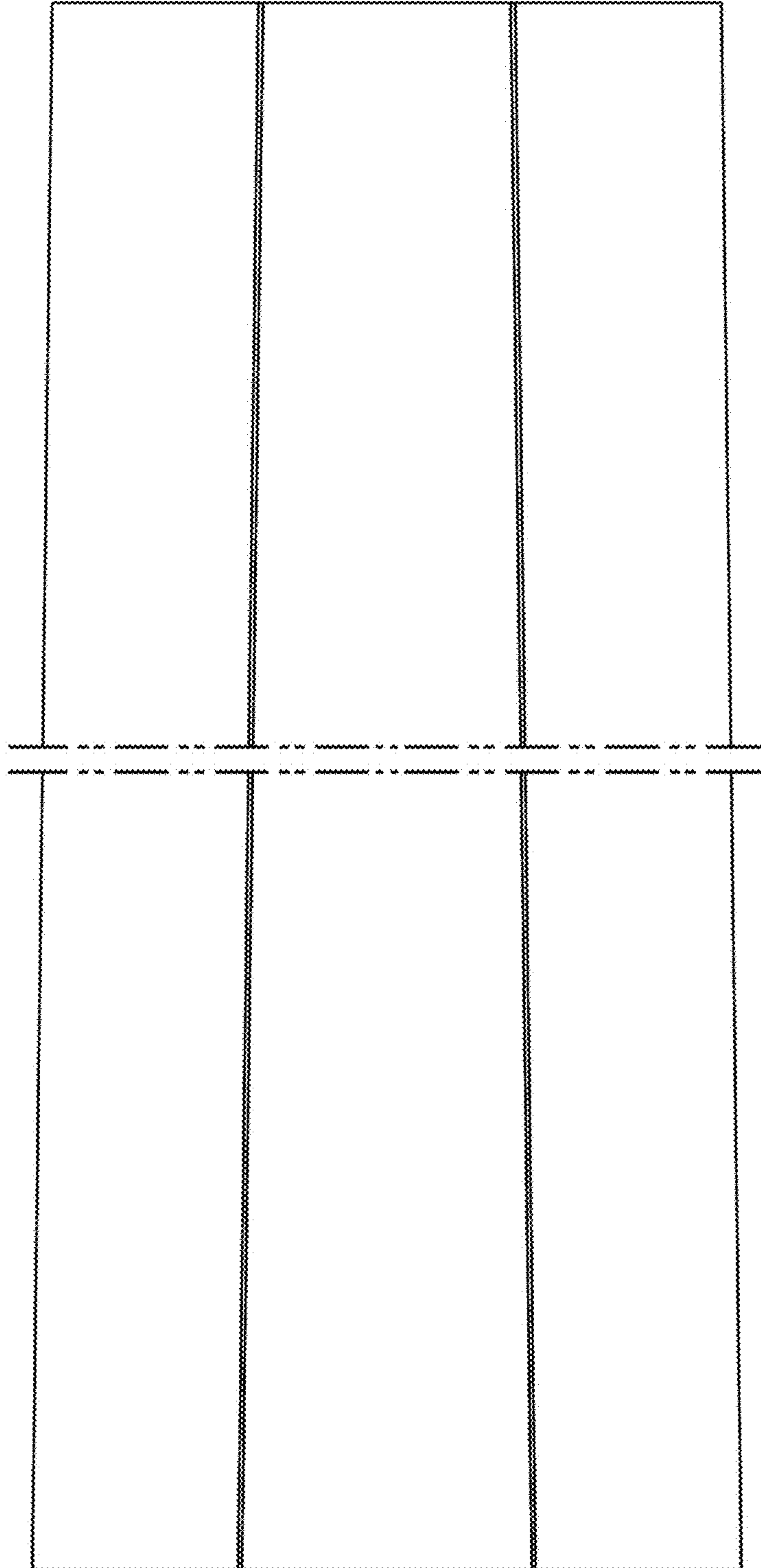
1.1



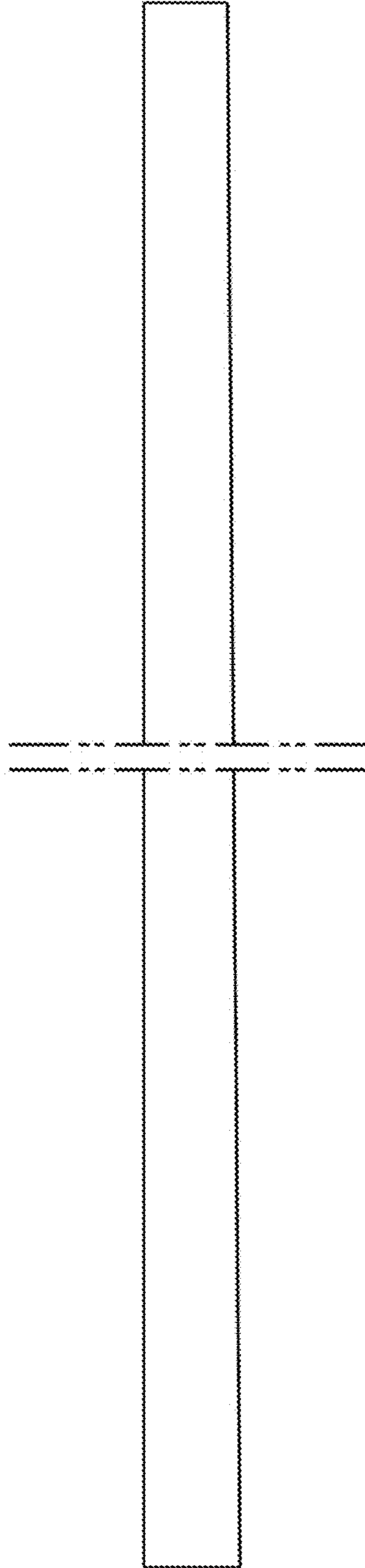
1.2



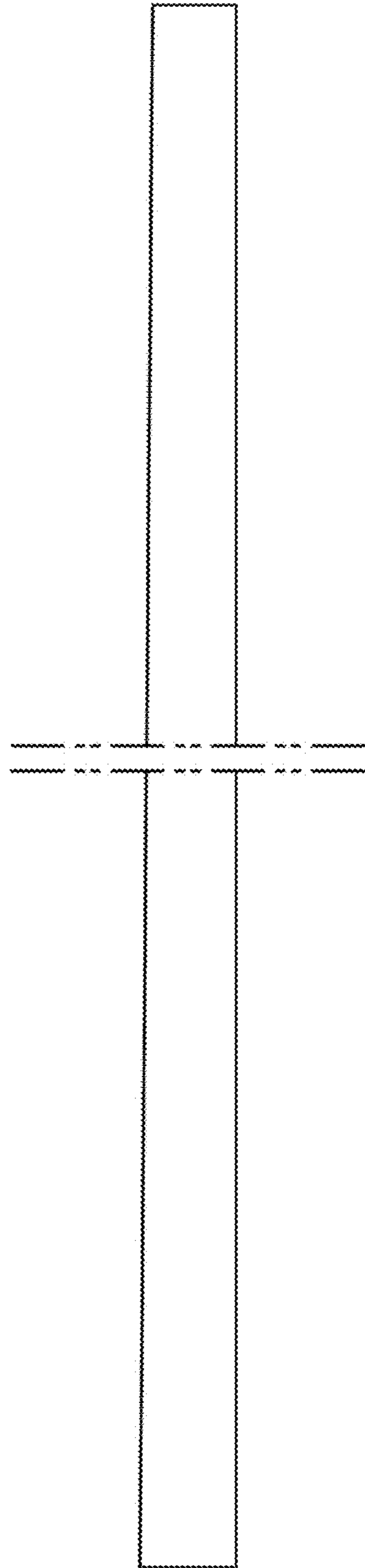
1.3



1.4



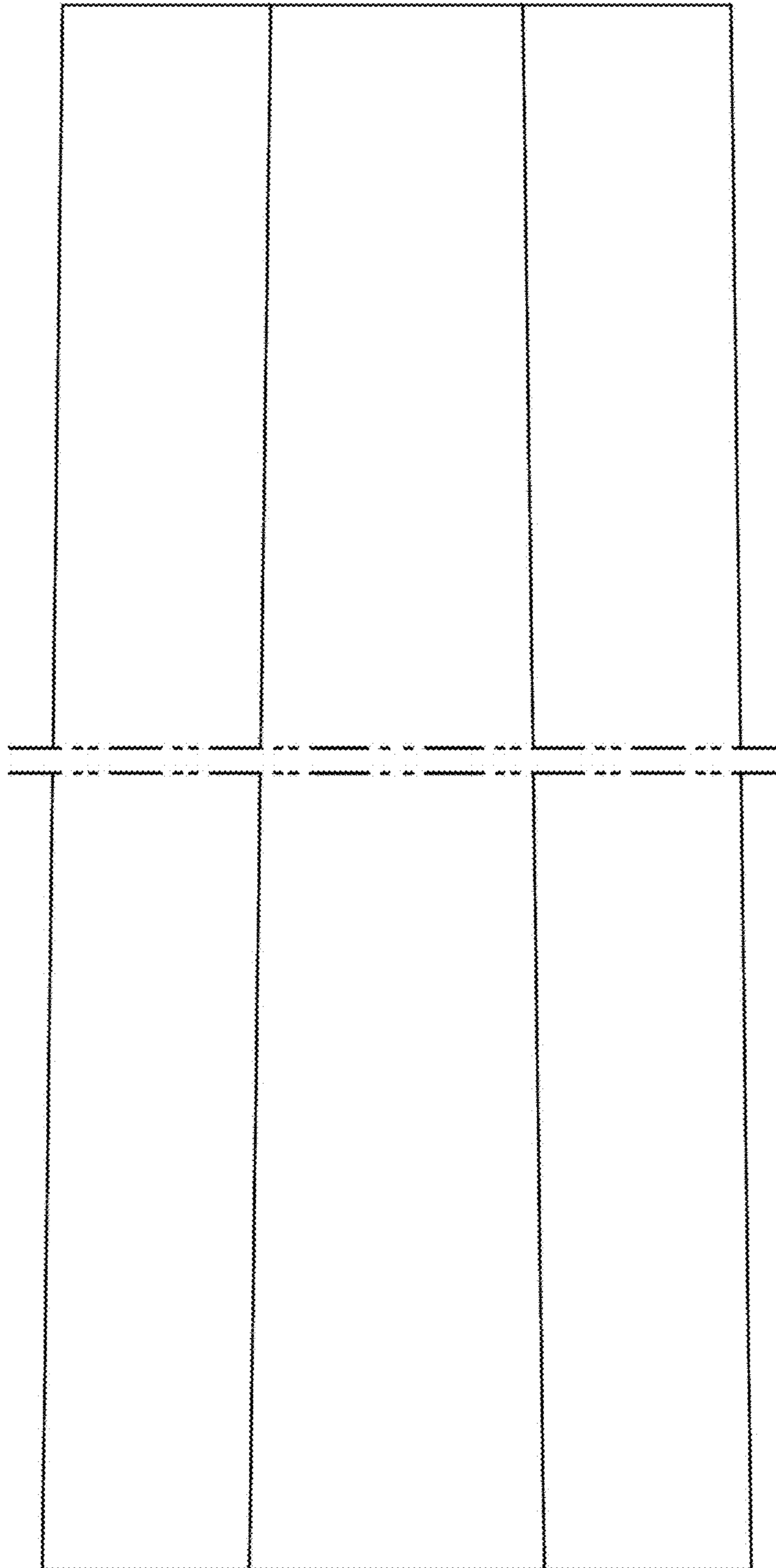
1.5



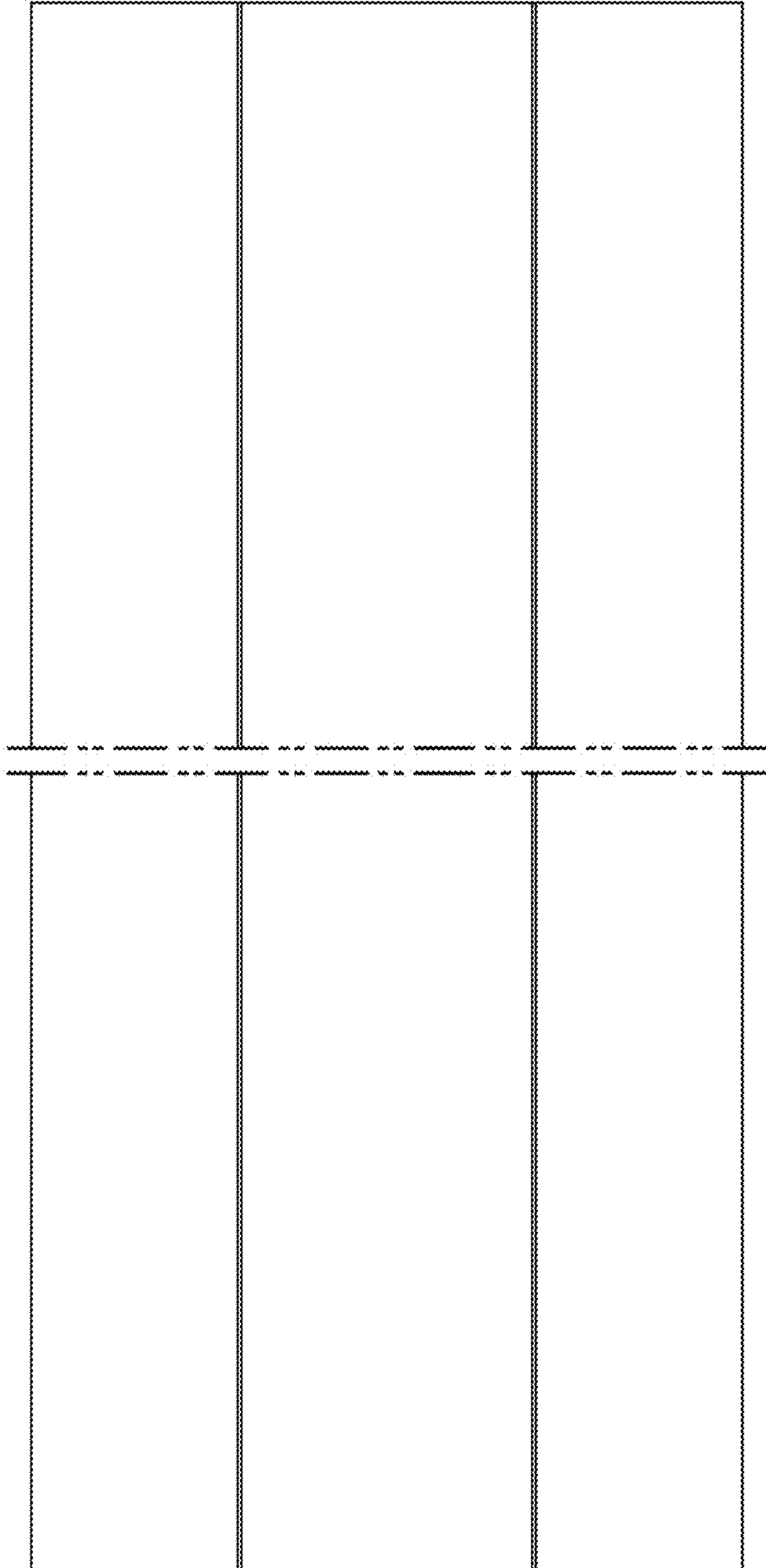
1.6



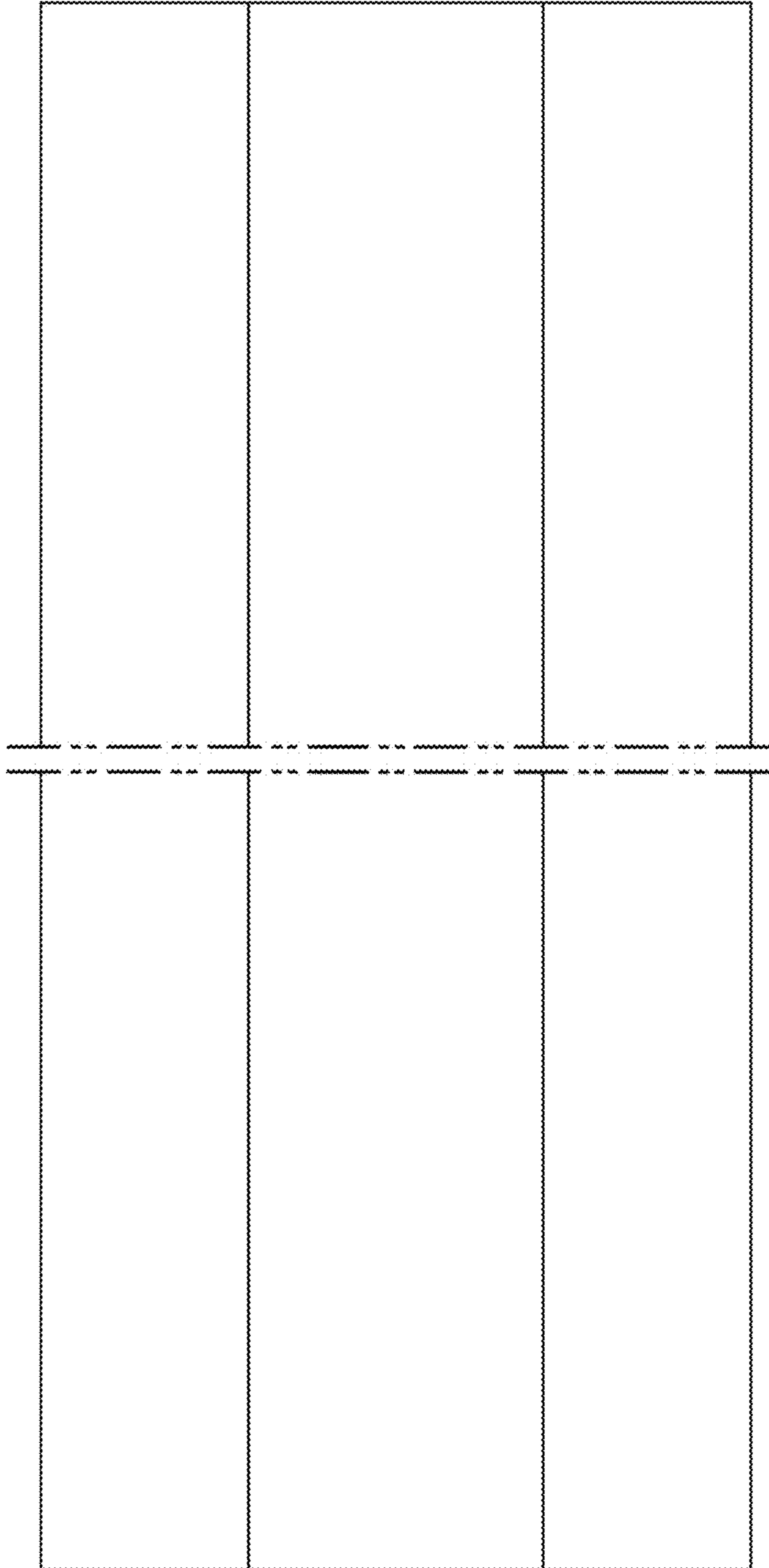
1.7



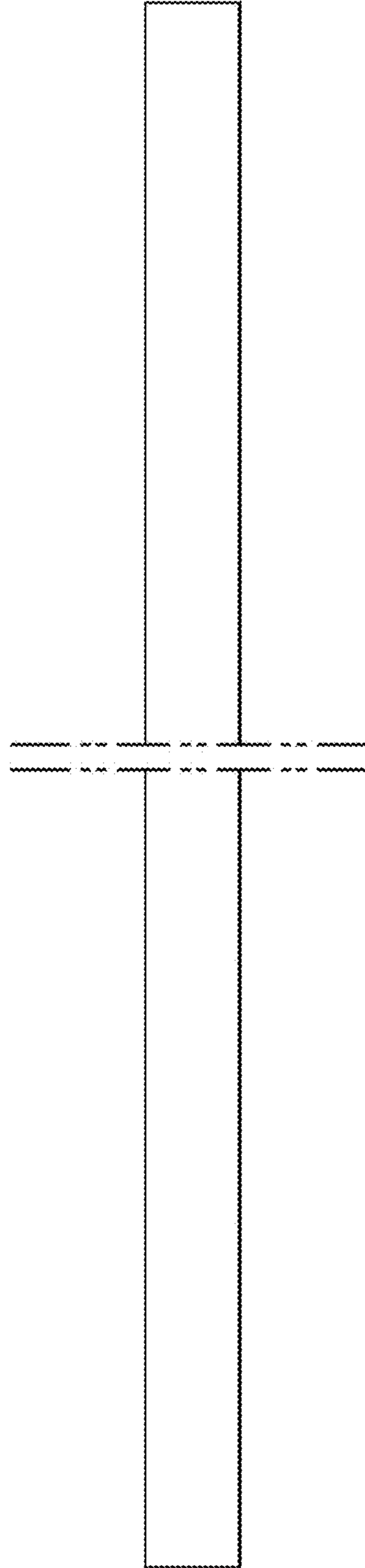
2.1



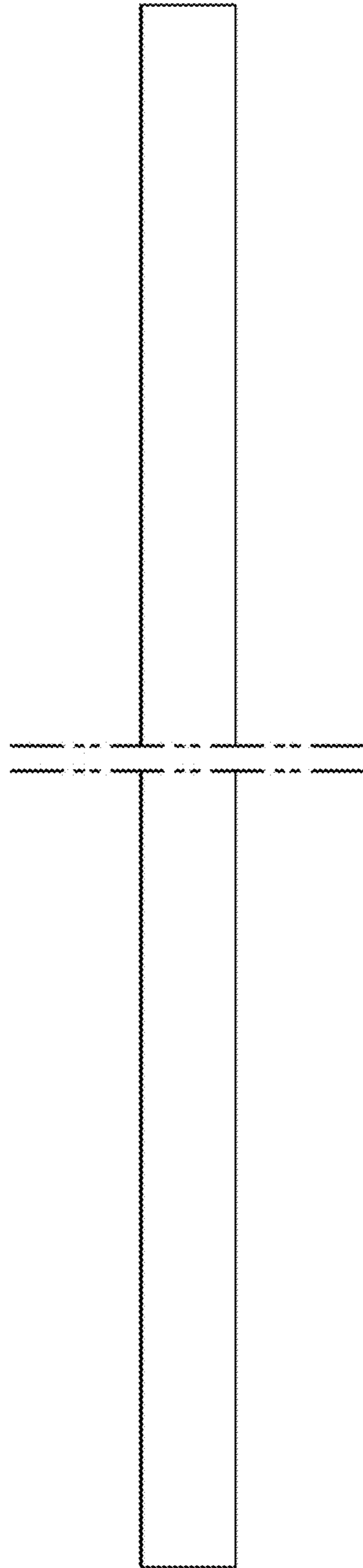
2.2



2.3



2.4



2.5



2.6

