



US00D940900S

(12) **United States Design Patent**
Godett

(10) **Patent No.:** **US D940,900 S**

(45) **Date of Patent:** **** Jan. 11, 2022**

- (54) **LADDER HALF-STEP**
- (71) Applicant: **Richard Godett**, Orange, CA (US)
- (72) Inventor: **Richard Godett**, Orange, CA (US)
- (**) Term: **15 Years**
- (21) Appl. No.: **29/787,218**
- (22) Filed: **Jun. 4, 2021**
- (51) **LOC (13) Cl.** **25-04**
- (52) **U.S. Cl.**
USPC **D25/68**
- (58) **Field of Classification Search**
USPC D25/62, 64, 68; 182/120
CPC E06C 1/393; E06C 1/39; E06C 1/387
See application file for complete search history.

8,657,070 B2 * 2/2014 O'Brien E06C 7/165
182/120
D728,128 S * 4/2015 Haney D25/68
D733,933 S * 7/2015 Lee D25/69
10,006,248 B2 6/2018 Goodnow et al.

* cited by examiner

Primary Examiner — Gino Colan

(74) *Attorney, Agent, or Firm* — Kirk A. Buhler; Buhler & Associates Patenting

(57) **CLAIM**

The ornamental design for a ladder half-step, as shown and described.

DESCRIPTION

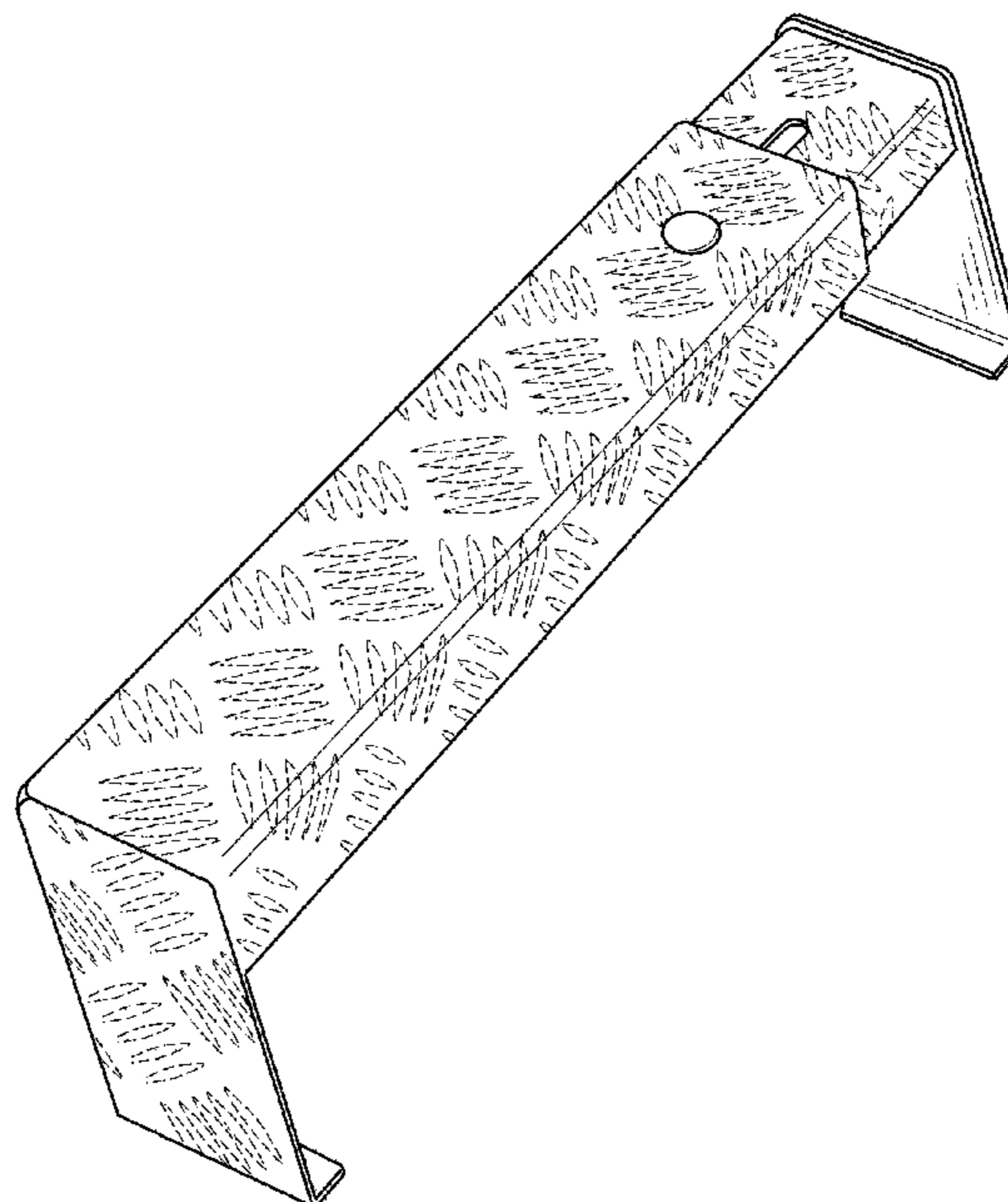
FIG. 1 is a top perspective view of a ladder half-step, showing my new design;
 FIG. 2 is a top plan view thereof;
 FIG. 3 is a bottom view thereof;
 FIG. 4 is a right-side elevation view thereof;
 FIG. 5 is a left side elevation view thereof;
 FIG. 6 is a left side sectional view taken along lines 6-6 from FIG. 2 thereof;
 FIG. 7 is a front elevation view thereof;
 FIG. 8 is a rear elevation view thereof;
 FIG. 9 is a front sectional view taken along lines 9-9 from FIG. 3 thereof; and,
 FIG. 10 is a top perspective view shown in an environment of use.
 The broken lines in FIG. 10 depict environmental subject matter and form no part of the claimed design.
 The broken lines shown in the figures are for the purpose of illustrating portions of the ladder half-step and form no part of the claimed design.

(56) **References Cited**

U.S. PATENT DOCUMENTS

2,148,958	A	2/1939	Myers	
2,486,783	A	11/1949	Hartman et al.	
2,594,605	A	4/1952	Zoppelt	
3,294,197	A *	12/1966	Kwiatkowski	E06C 7/16 182/120
3,375,899	A	4/1968	George	
3,692,143	A	9/1972	Kummerlin et al.	
4,029,280	A	6/1977	Golz	
4,082,162	A	4/1978	Diez	
4,804,063	A	2/1989	Farris	
4,903,795	A	2/1990	Cummings	
4,953,661	A	9/1990	Hilton et al.	
5,201,488	A	4/1993	Hadbavny	
5,836,420	A	11/1998	Marky, Jr.	
D409,765	S	5/1999	Armstrong et al.	
D415,575	S *	10/1999	Nickel	D25/62
6,073,726	A	6/2000	McCrystal	
6,129,179	A	10/2000	Rooney et al.	
6,966,406	B2	11/2005	Nash, Jr.	
D573,723	S *	7/2008	Vibiano	D25/136

1 Claim, 5 Drawing Sheets



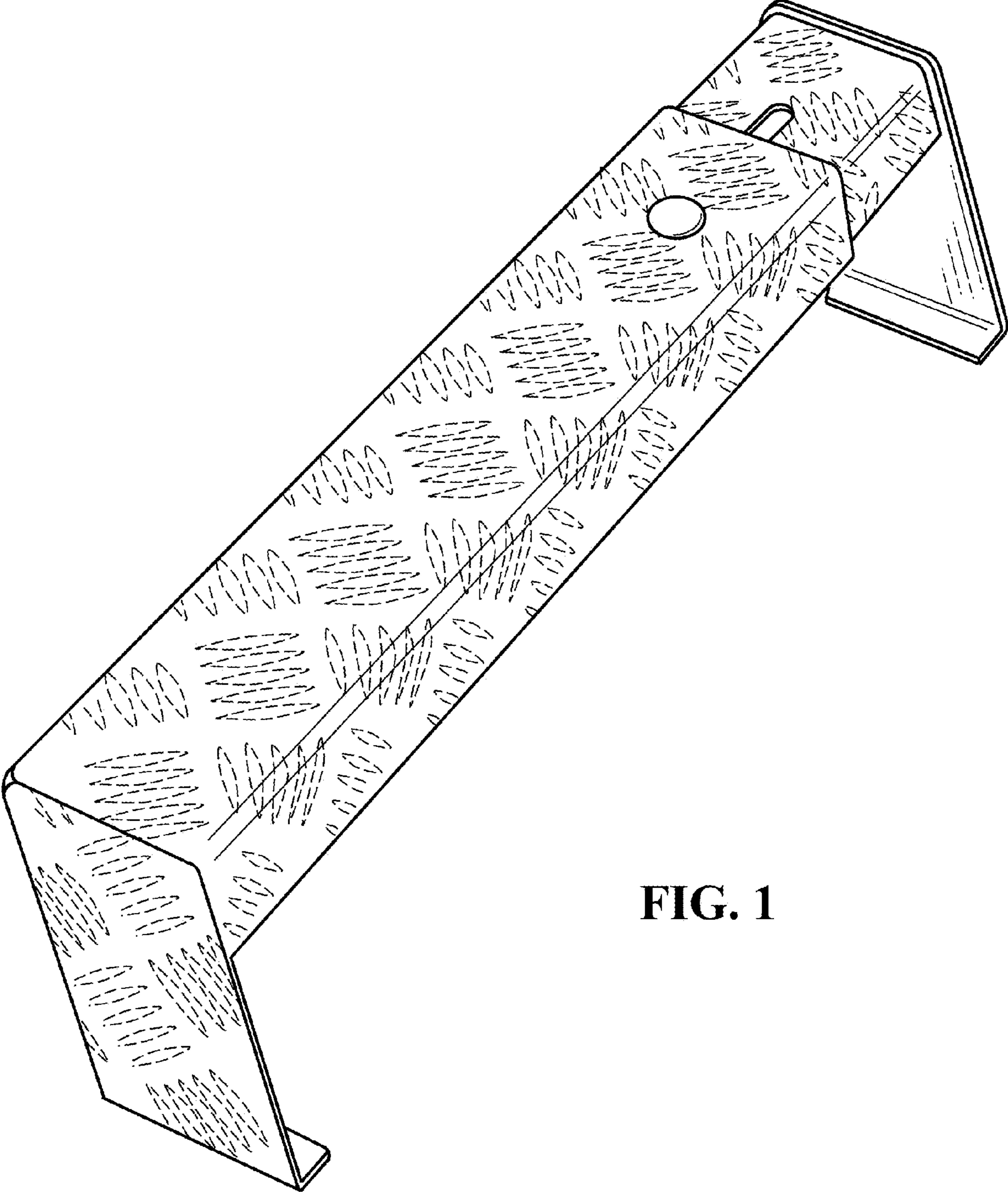


FIG. 1

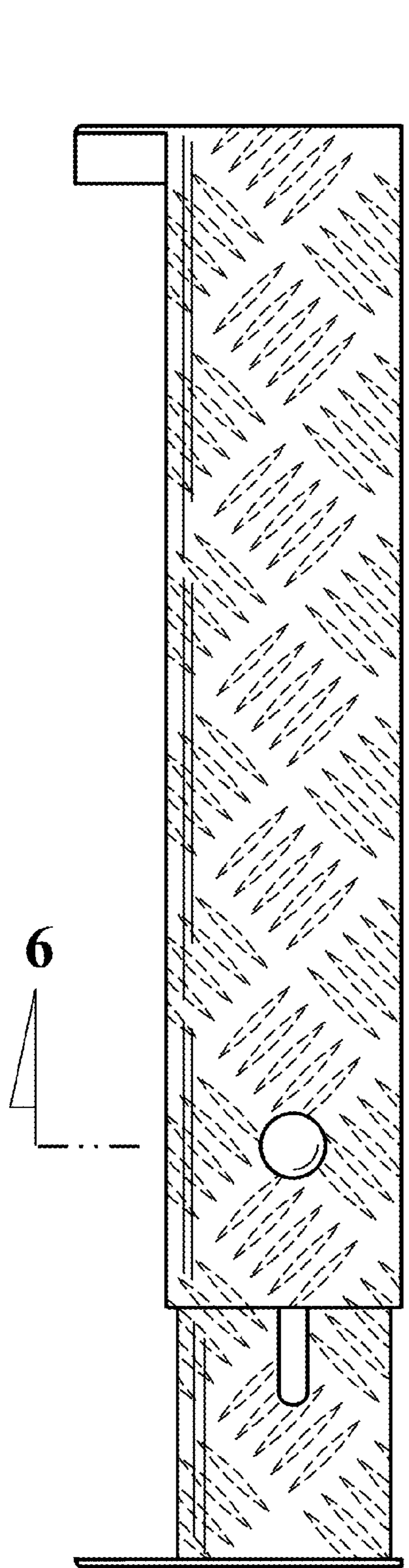


FIG. 2

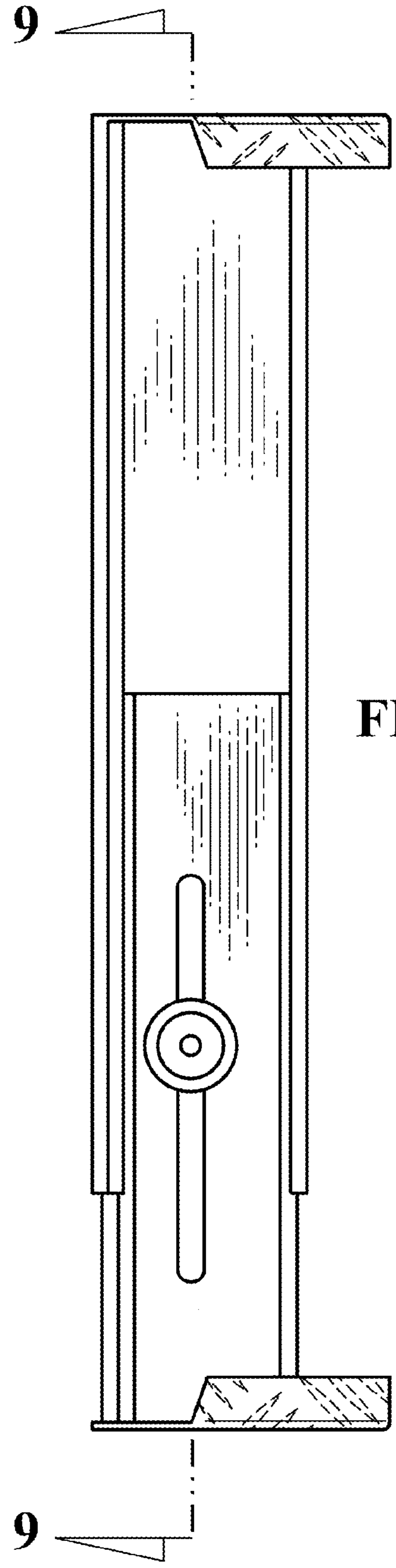


FIG. 3

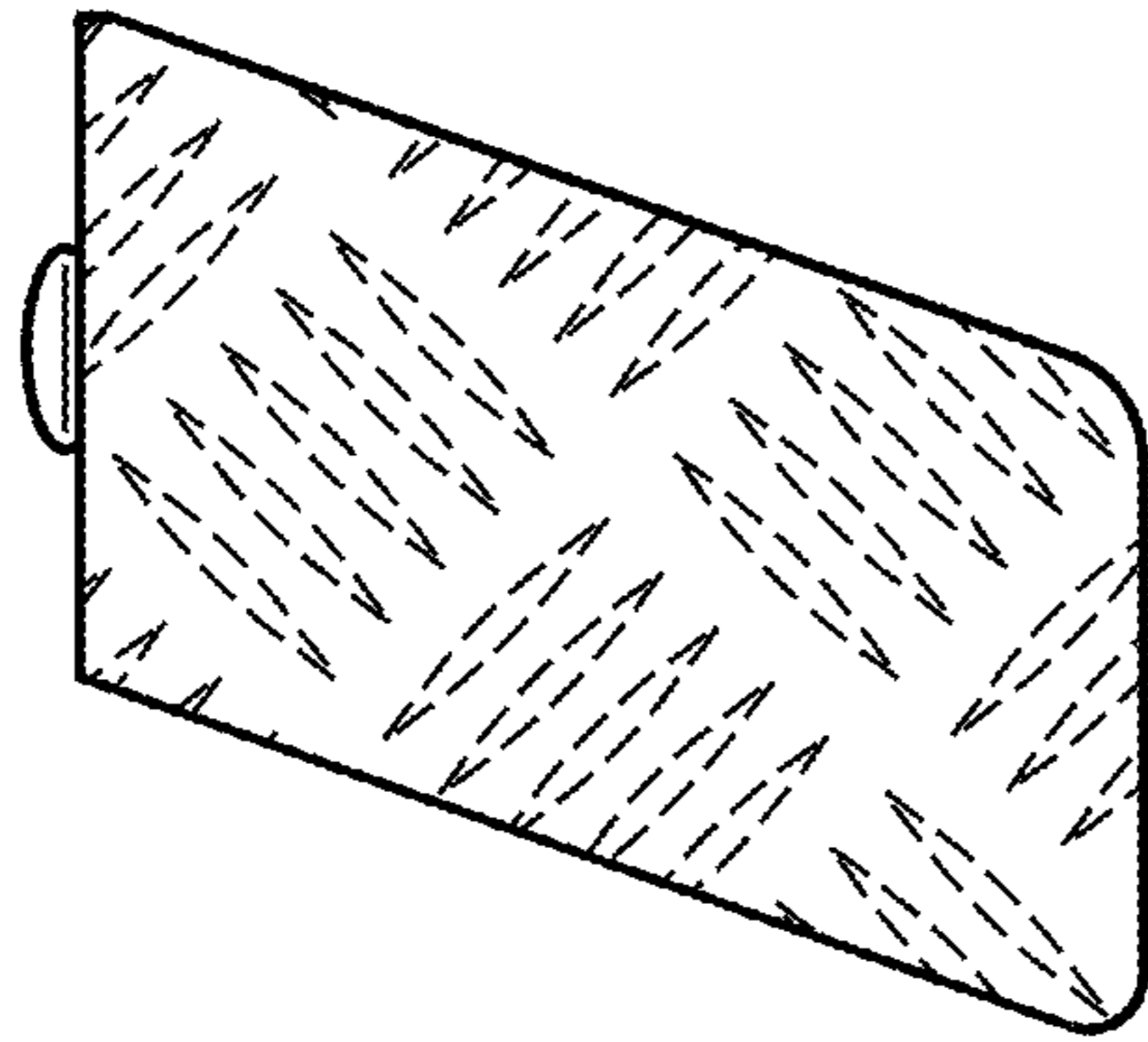


FIG. 4

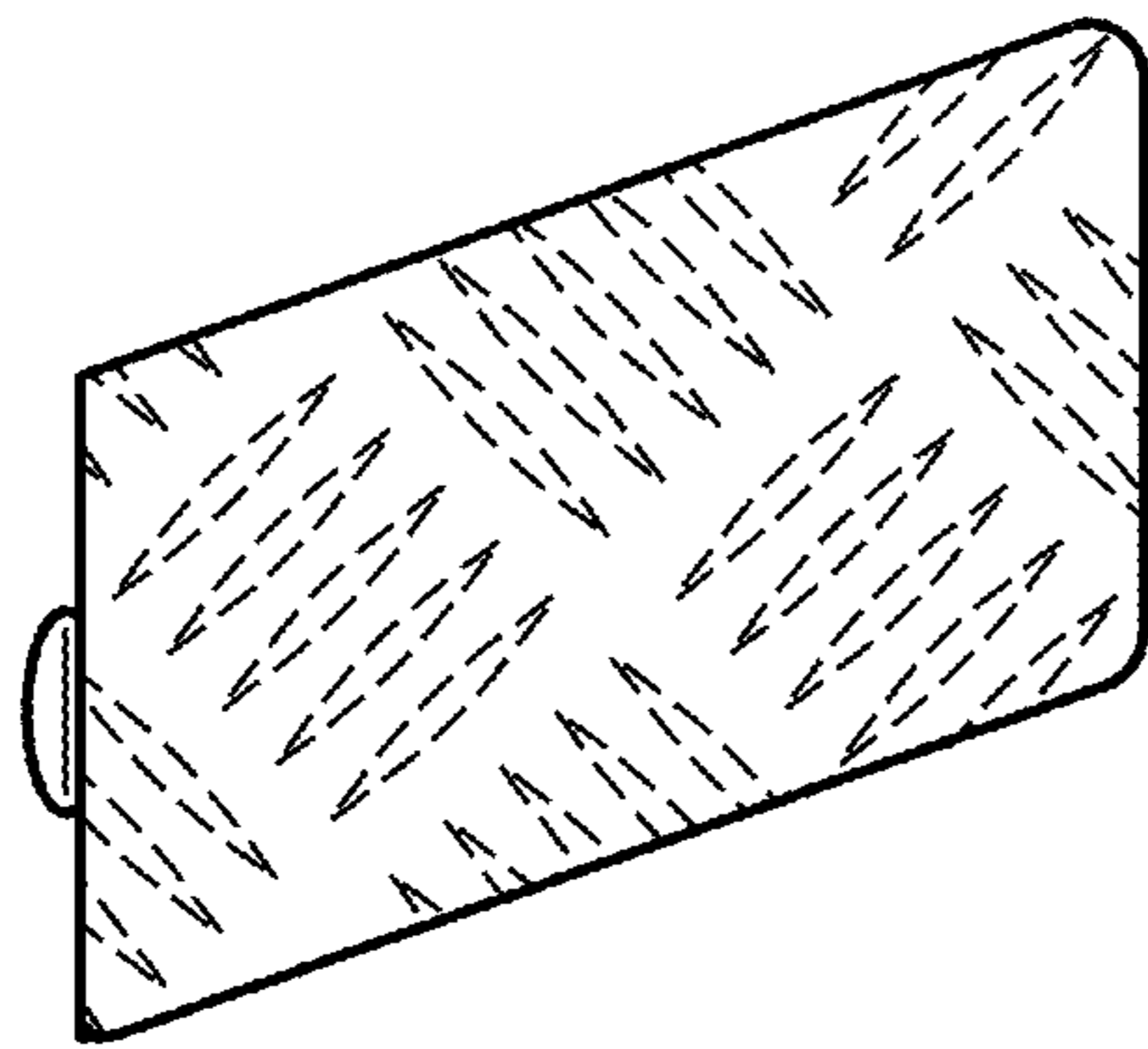


FIG. 5

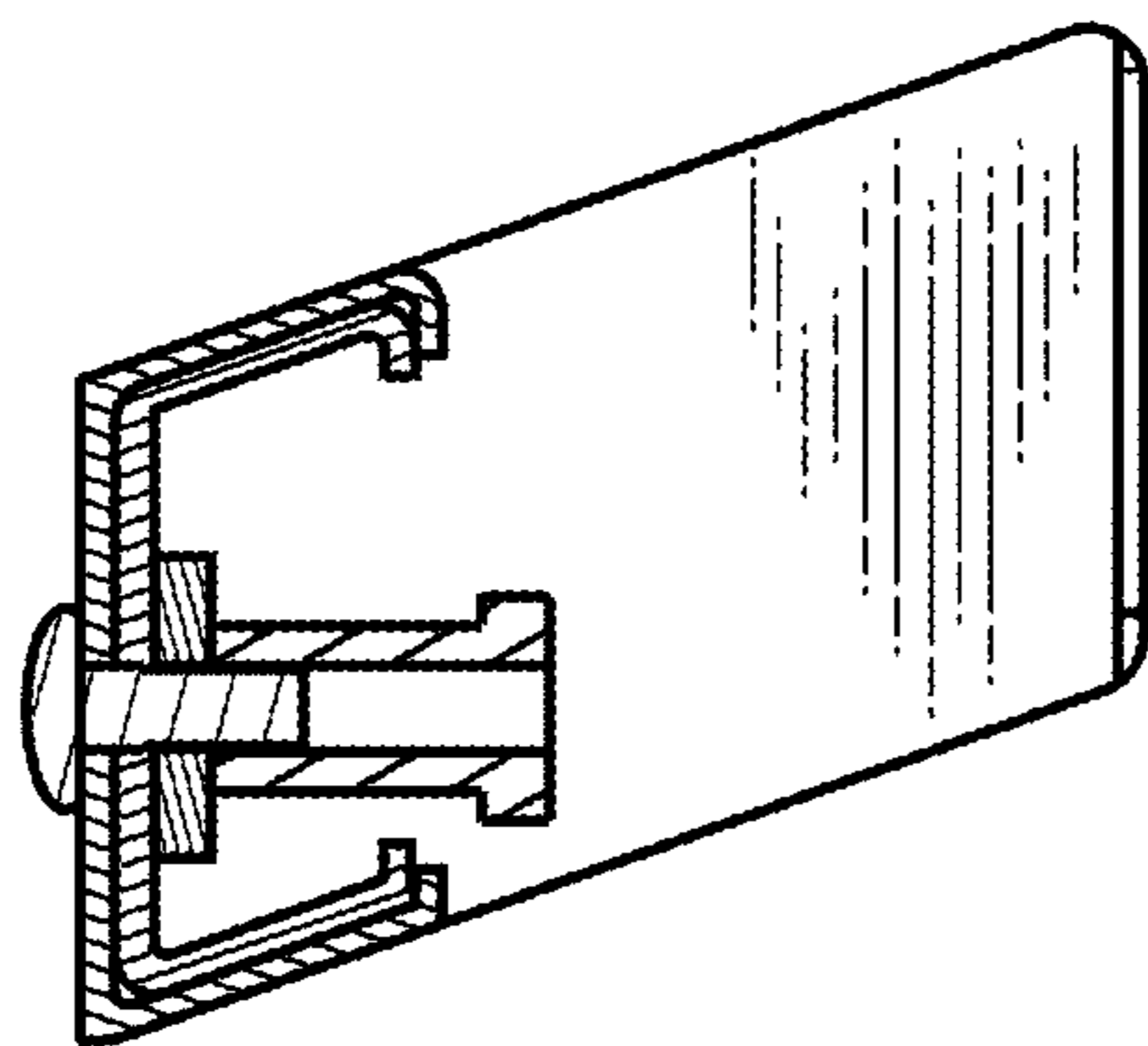


FIG. 6

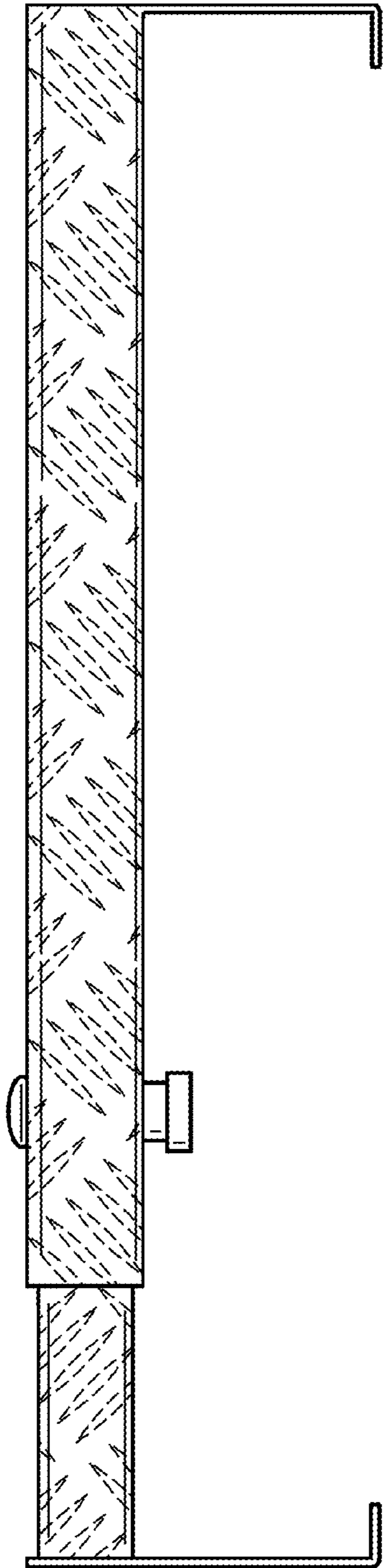


FIG. 7

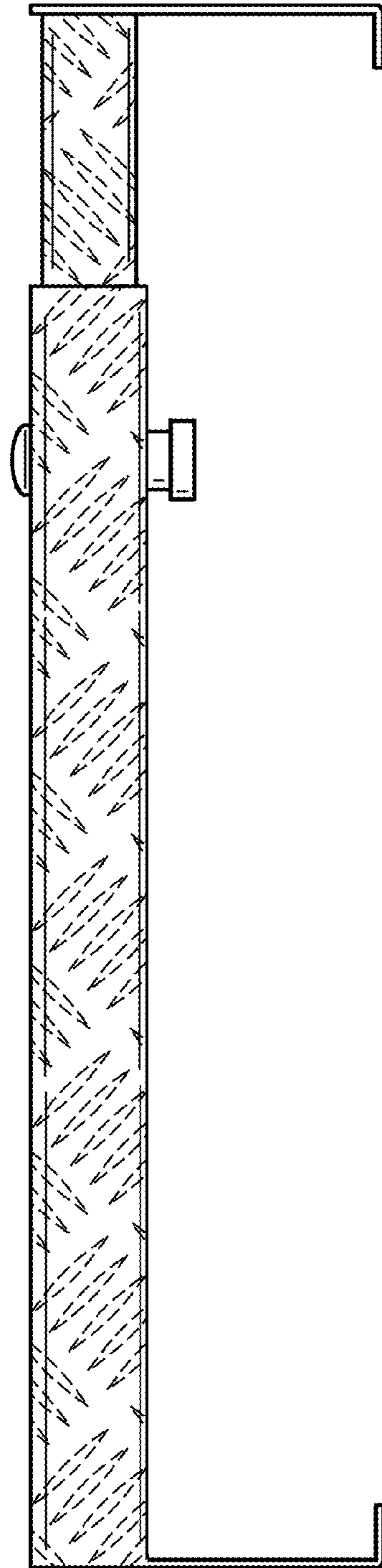


FIG. 8

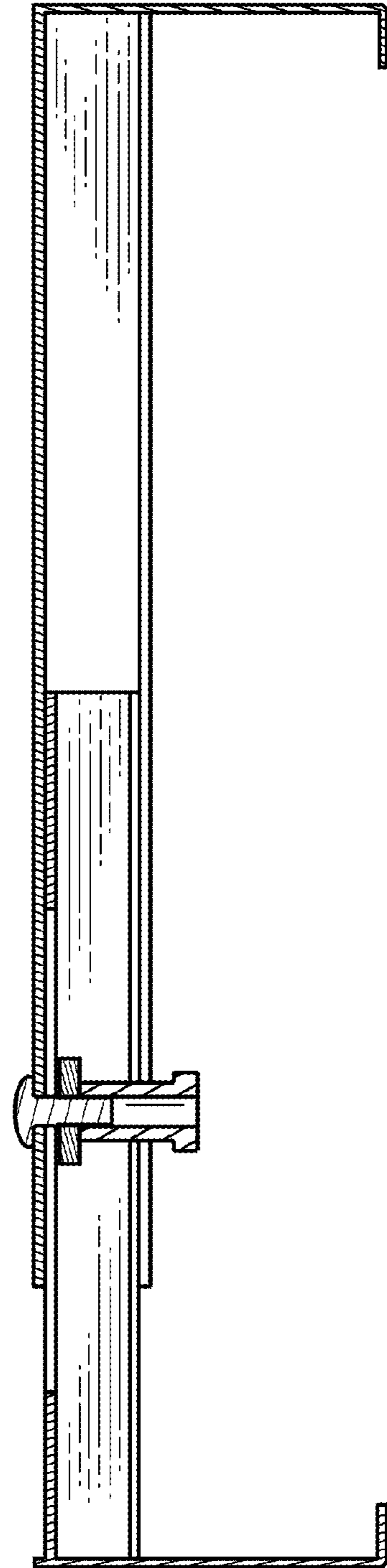


FIG. 9

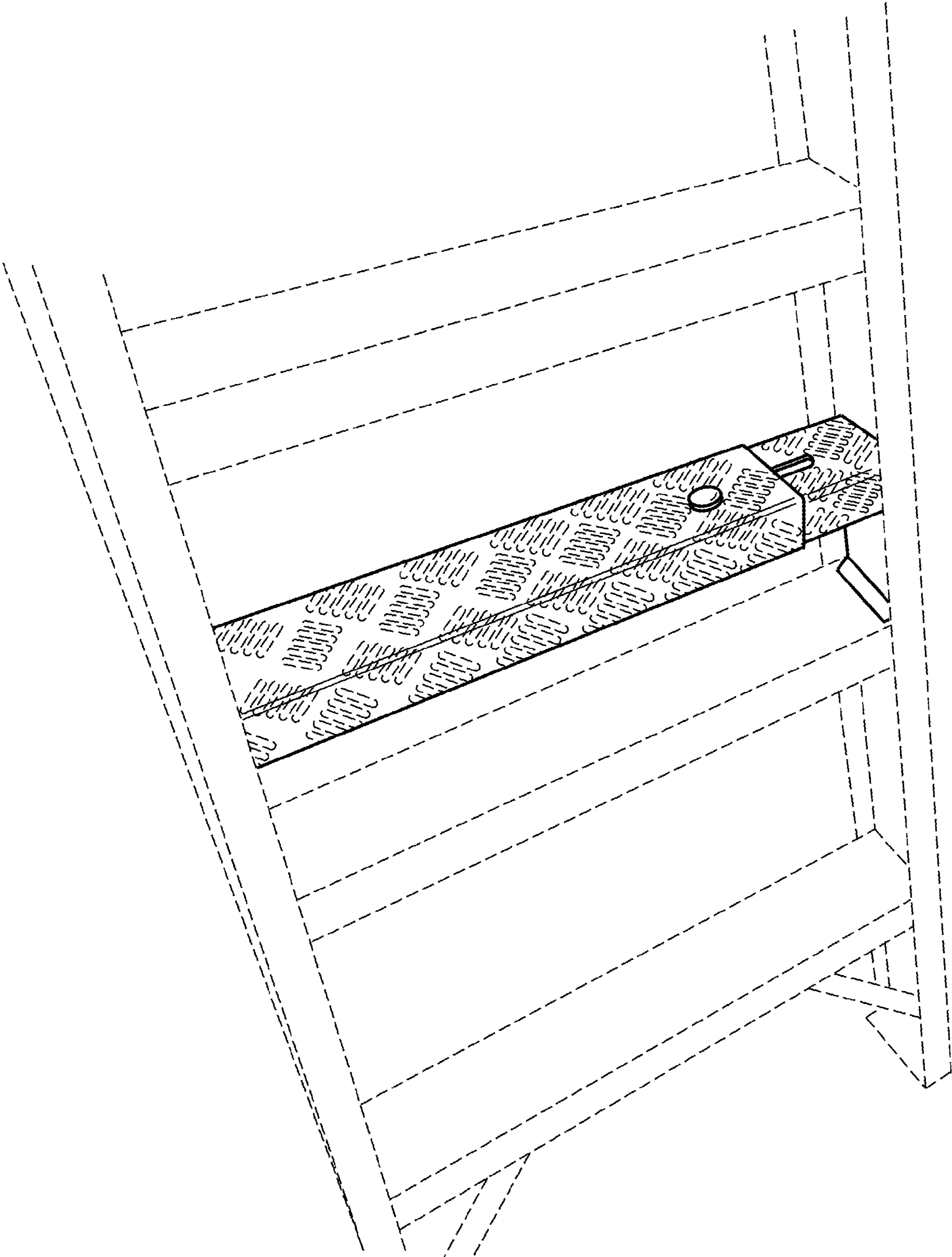


FIG. 10