

US00D940899S

(12) **United States Design Patent**
Pepin et al.

(10) **Patent No.:** **US D940,899 S**
(45) **Date of Patent:** **** Jan. 11, 2022**

(54) **DOOR FACING**

(71) Applicant: **Masonite Corporation**, Tampa, FL (US)

(72) Inventors: **Alan Pepin**, Saint Cloud, FL (US);
Patrick C. Ege, Westmont, IL (US)

(73) Assignee: **Masonite Corporation**, Tampa, FL (US)

(**) Term: **15 Years**

(21) Appl. No.: **29/746,361**

(22) Filed: **Aug. 13, 2020**

Related U.S. Application Data

(62) Division of application No. 29/657,162, filed on Jul. 19, 2018, now Pat. No. Des. 893,751.

(51) **LOC (13) Cl.** **25-02**

(52) **U.S. Cl.**
USPC **D25/48.3**

(58) **Field of Classification Search**
USPC D6/703, 703.1, 703.2; D25/48.1, 48.3,
D25/48.4, 48.5, 138

(Continued)

(56) **References Cited**

U.S. PATENT DOCUMENTS

D586,475 S * 2/2009 Maher D25/48.3
D590,512 S * 4/2009 Mock D25/48.3

(Continued)

Primary Examiner — Leanne Was-Englehart

(74) *Attorney, Agent, or Firm* — Berenato & White, LLC

(57) **CLAIM**

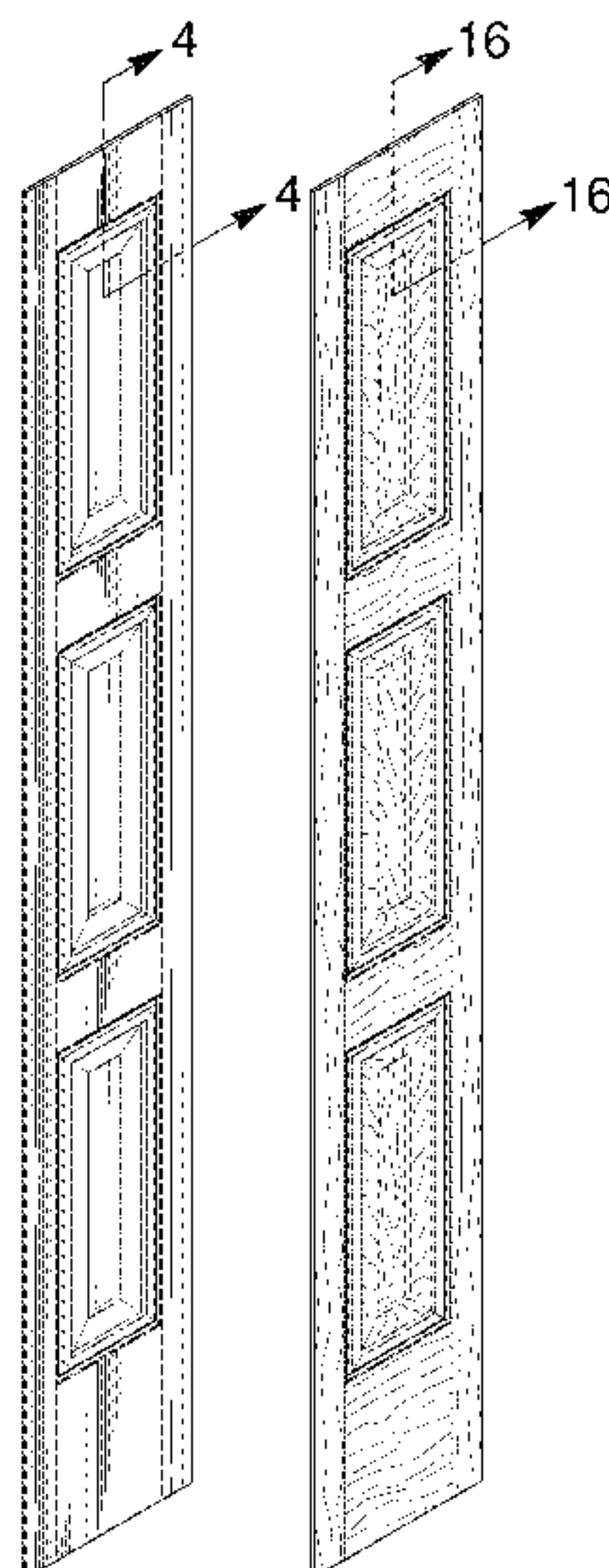
The ornamental design for a door facing, as shown and described.

DESCRIPTION

FIG. 1 is a front perspective view of a first version of a door facing;

FIG. 2 is a front elevational view;
FIG. 3 is a rear elevational view;
FIG. 4 is an enlarged cross sectional view taken along the line of FIG. 1;
FIG. 5 is a top view;
FIG. 6 is a bottom view;
FIG. 7 is a cross sectional view taken along the line 7-7 of FIG. 2;
FIG. 8 is an enlarged cross sectional view of the encircled portion of FIG. 7;
FIG. 9 is a right side view;
FIG. 10 is a left side view;
FIG. 11 is a cross sectional view taken along the line 11-11 of FIG. 2;
FIG. 12 is an enlarged cross sectional view of the encircled portion of FIG. 11;
FIG. 13 is a front perspective view of a second version of a door facing;
FIG. 14 is a front elevational view;
FIG. 15 is a rear elevational view;
FIG. 16 an enlarged cross sectional view taken along the line 16-16 of FIG. 13;
FIG. 17 is a top view;
FIG. 18 is a bottom view;
FIG. 19 is a cross sectional view taken along the line 19-19 of FIG. 14;
FIG. 20 is an enlarged fragmentary cross sectional view of the encircled portion of FIG. 18;
FIG. 21 is a right side view;
FIG. 22 is a left side view;
FIG. 23 is a cross sectional view taken along the line 23-23 of FIG. 14; and,
FIG. 24 is an enlarged cross sectional view of the encircled portion of FIG. 23.
The evenly spaced broken lines depict portions of the door facing that form no part of the claimed design. The dot-dot-dash broken line circles depict the limits of the enlarged views that form no part of the claimed design.

1 Claim, 14 Drawing Sheets



(58) **Field of Classification Search**

CPC E06B 3/4636; E06B 3/485; E06B 3/58;
E06B 3/5892; E06B 3/7001; E06B 3/72;
E06B 3/78; E06B 2003/7044; E06B
2003/7048; E06B 1/04; E06B 1/006;
E06B 1/524; E06B 5/00; E04C 2/36

See application file for complete search history.

(56) **References Cited**

U.S. PATENT DOCUMENTS

D590,513	S	*	4/2009	Mock	D25/48.3
D590,955	S	*	4/2009	Mock	D25/48.3
D590,956	S	*	4/2009	Mock	D25/48.3
D594,133	S	*	6/2009	Williams	D25/48.3
D594,992	S	*	6/2009	Williams	D25/48.3
D598,133	S	*	8/2009	Davina	D25/48.3
D617,005	S	*	6/2010	Mullet	D25/48.3
D621,062	S	*	8/2010	Mullet	D25/48.3
D623,313	S	*	9/2010	Maher	D25/48.3
D635,688	S	*	4/2011	Lynch	D25/48.3
D661,814	S	*	6/2012	Lynch	D25/48.3
D831,227	S	*	10/2018	Cox	D25/48.3
D893,751	S	*	8/2020	Pepin	E06B 3/7001 D25/48.3
D919,120	S	*	5/2021	Pepin	E06B 3/822 D25/48.3
2009/0044471	A1	*	2/2009	Harlin	E06B 3/825 52/309.13

* cited by examiner

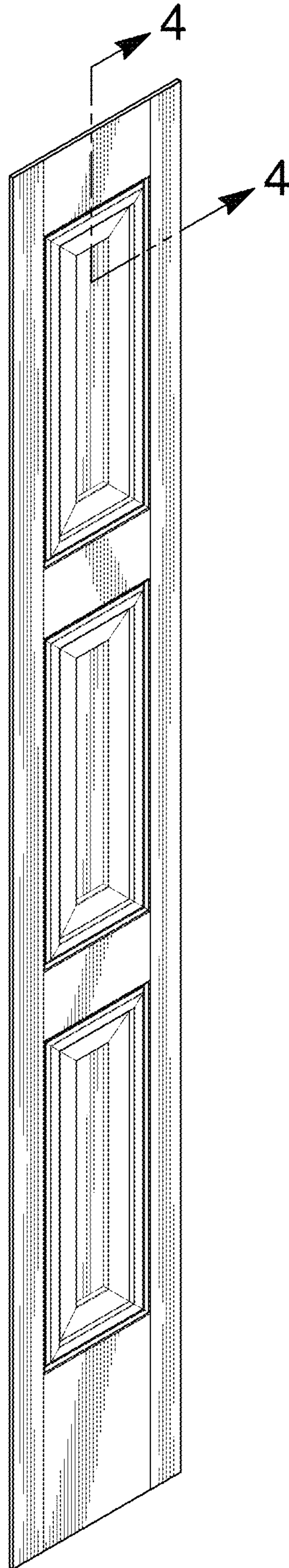


FIG. 1

FIG. 2

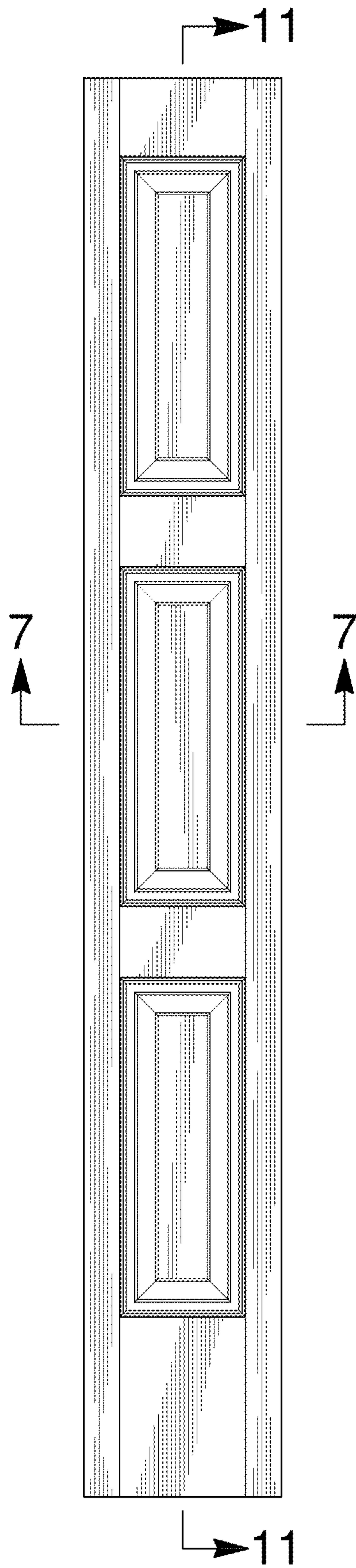


FIG. 3

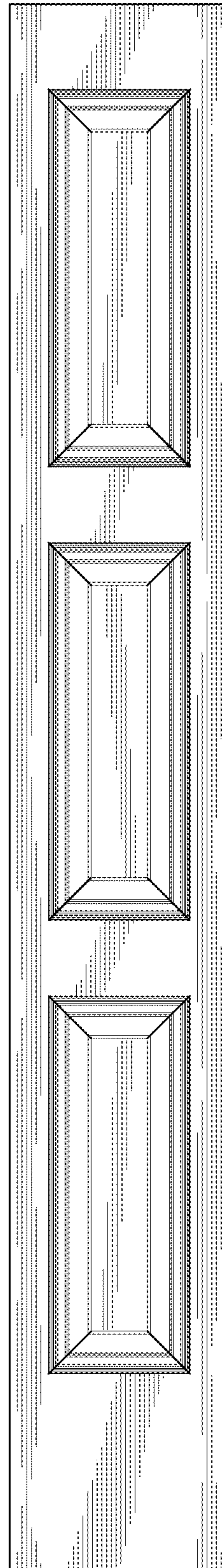


FIG. 4

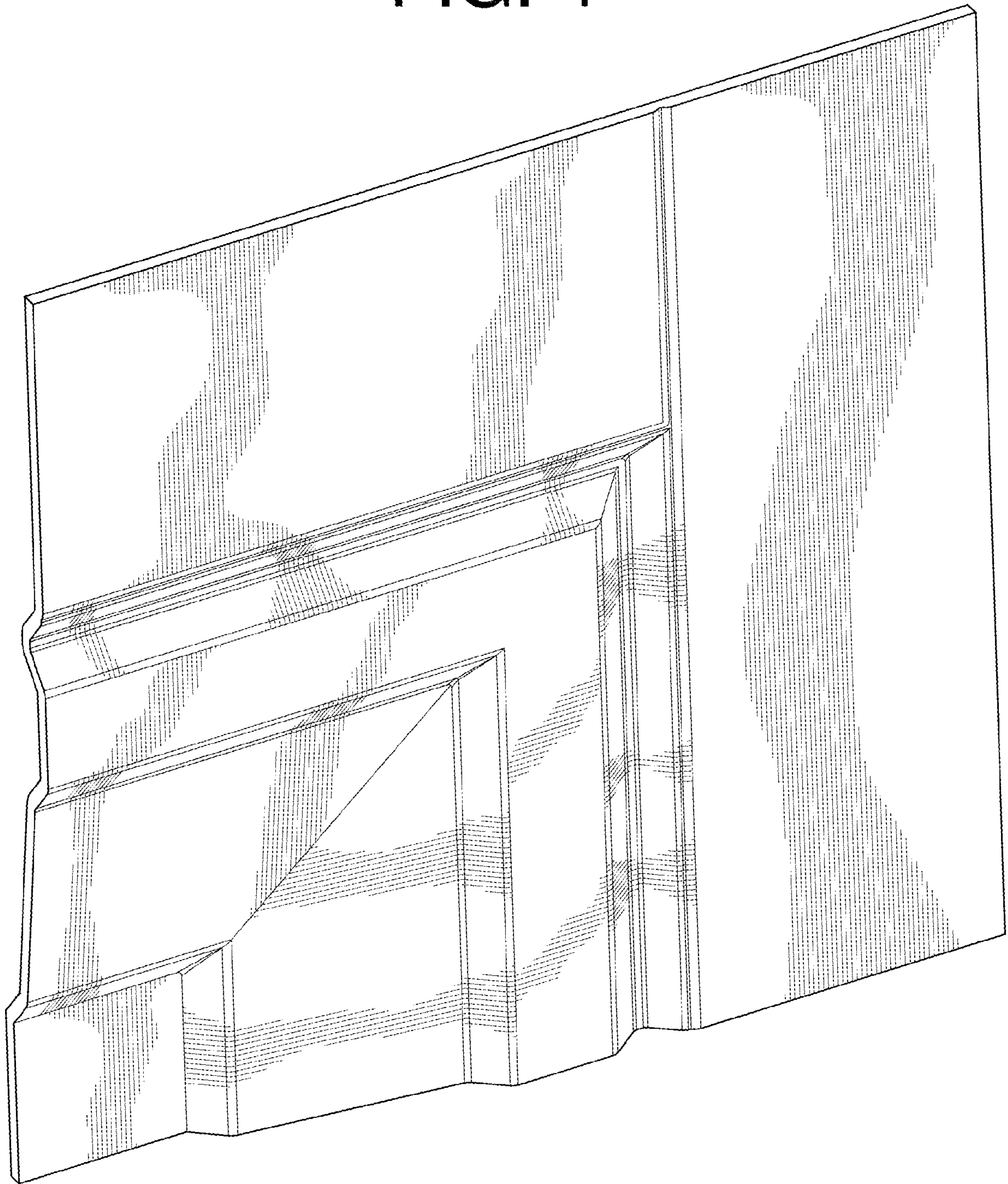


FIG. 5

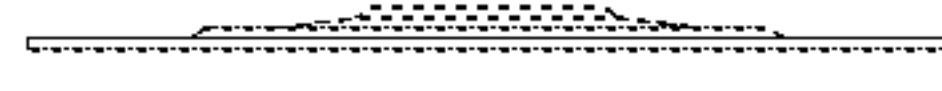


FIG. 6



FIG. 7

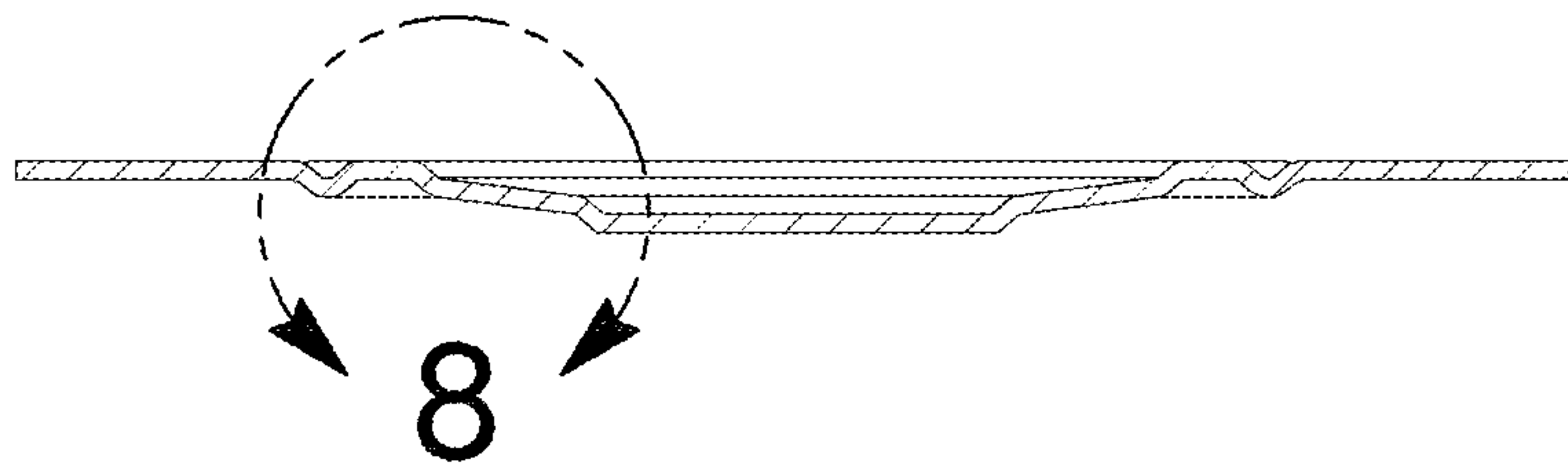


FIG. 8

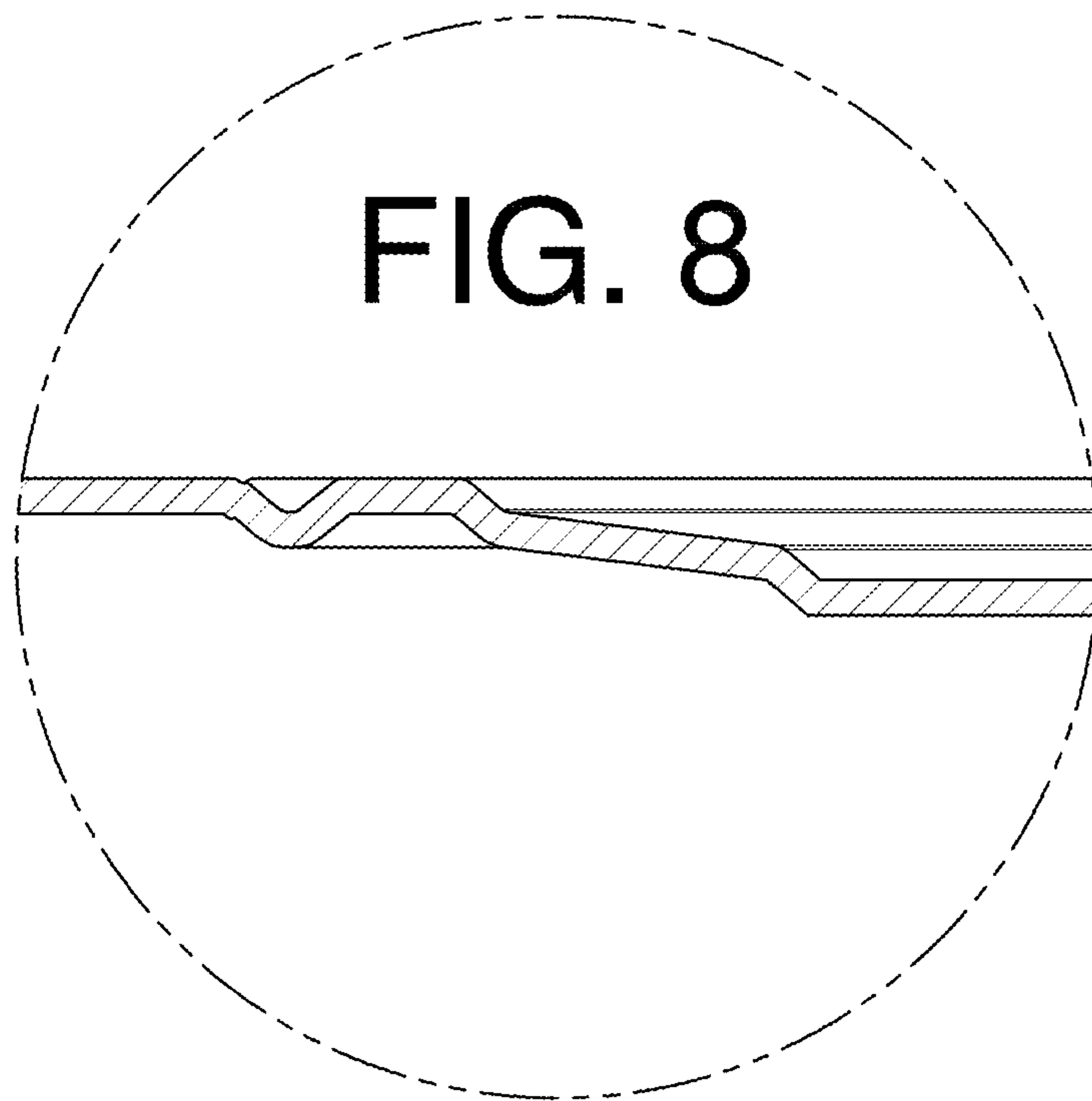


FIG. 9



FIG. 10



FIG. 11

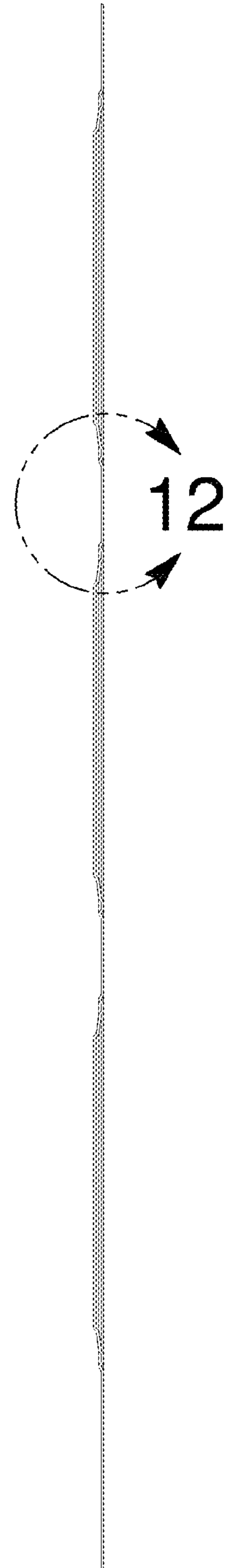
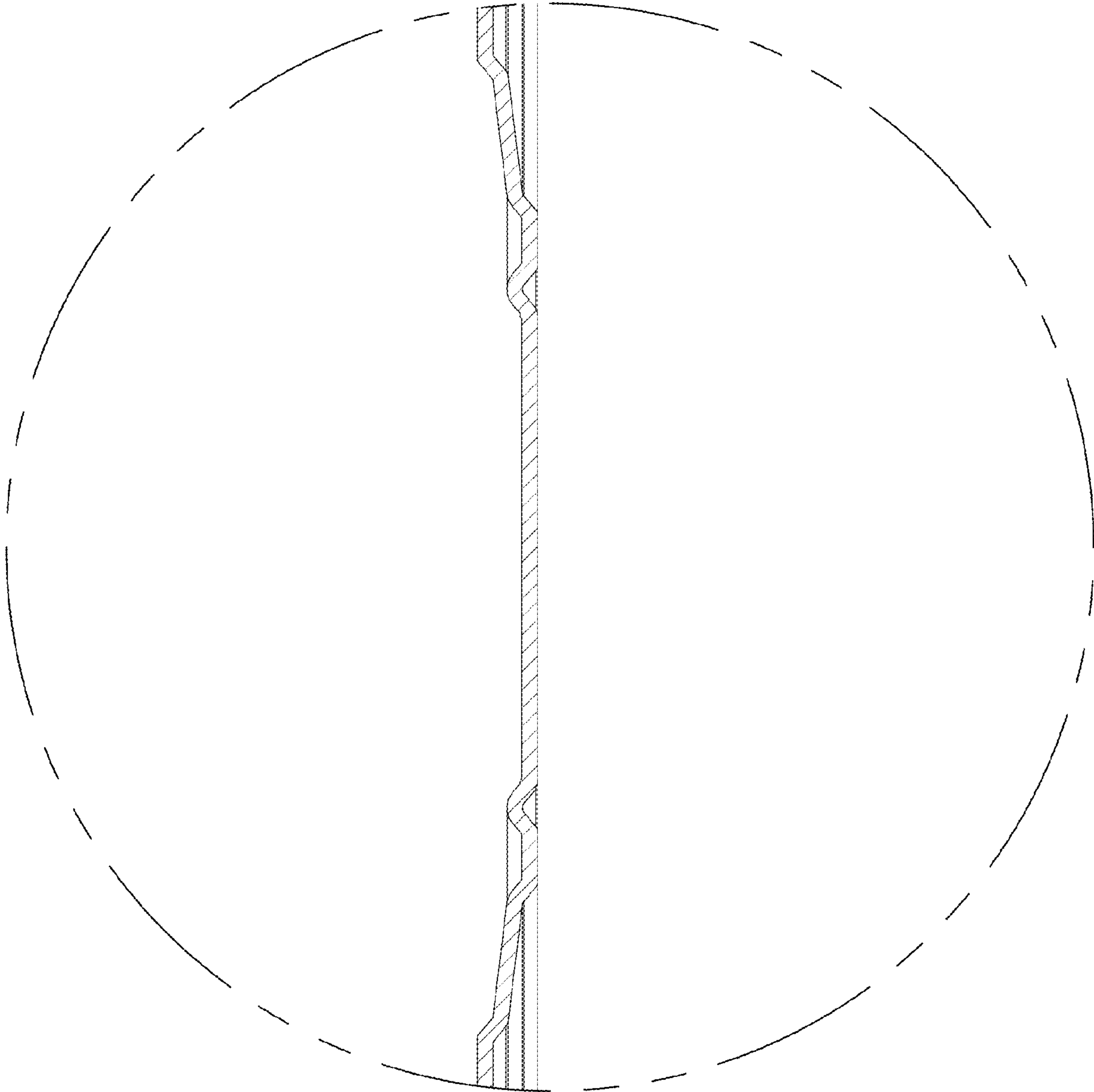


FIG. 12



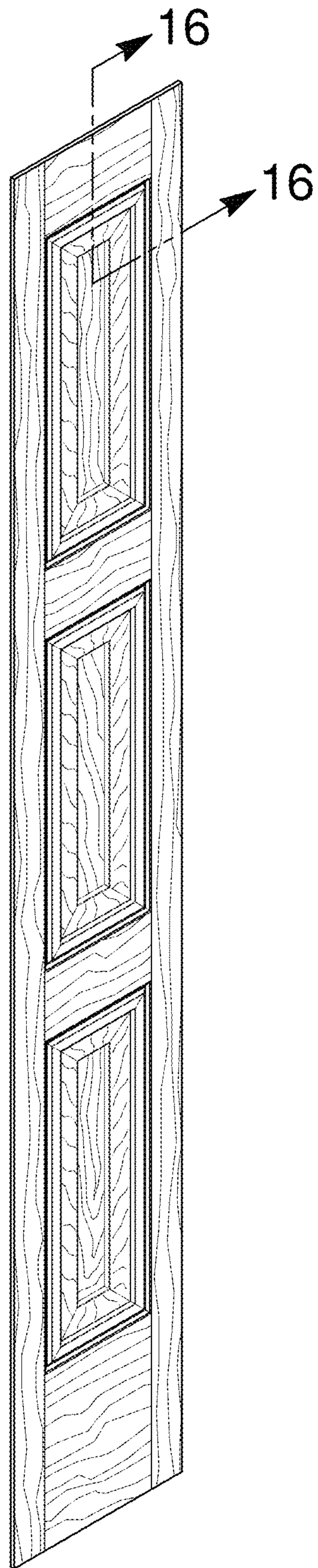


FIG. 13

FIG. 14

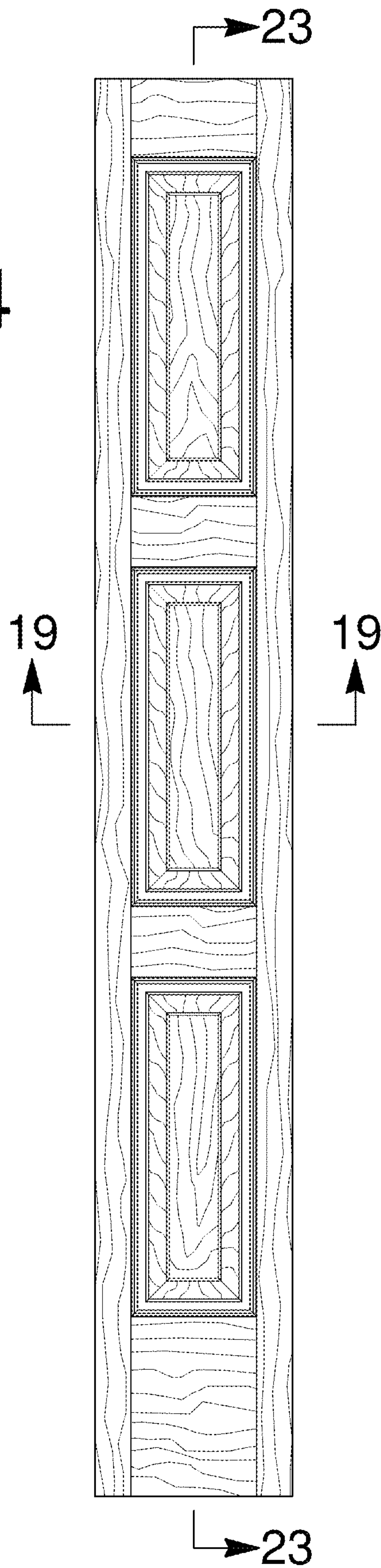


FIG. 15

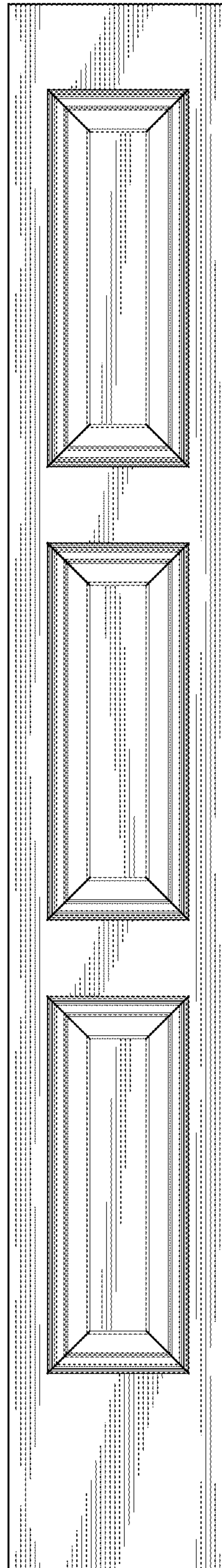


FIG. 16

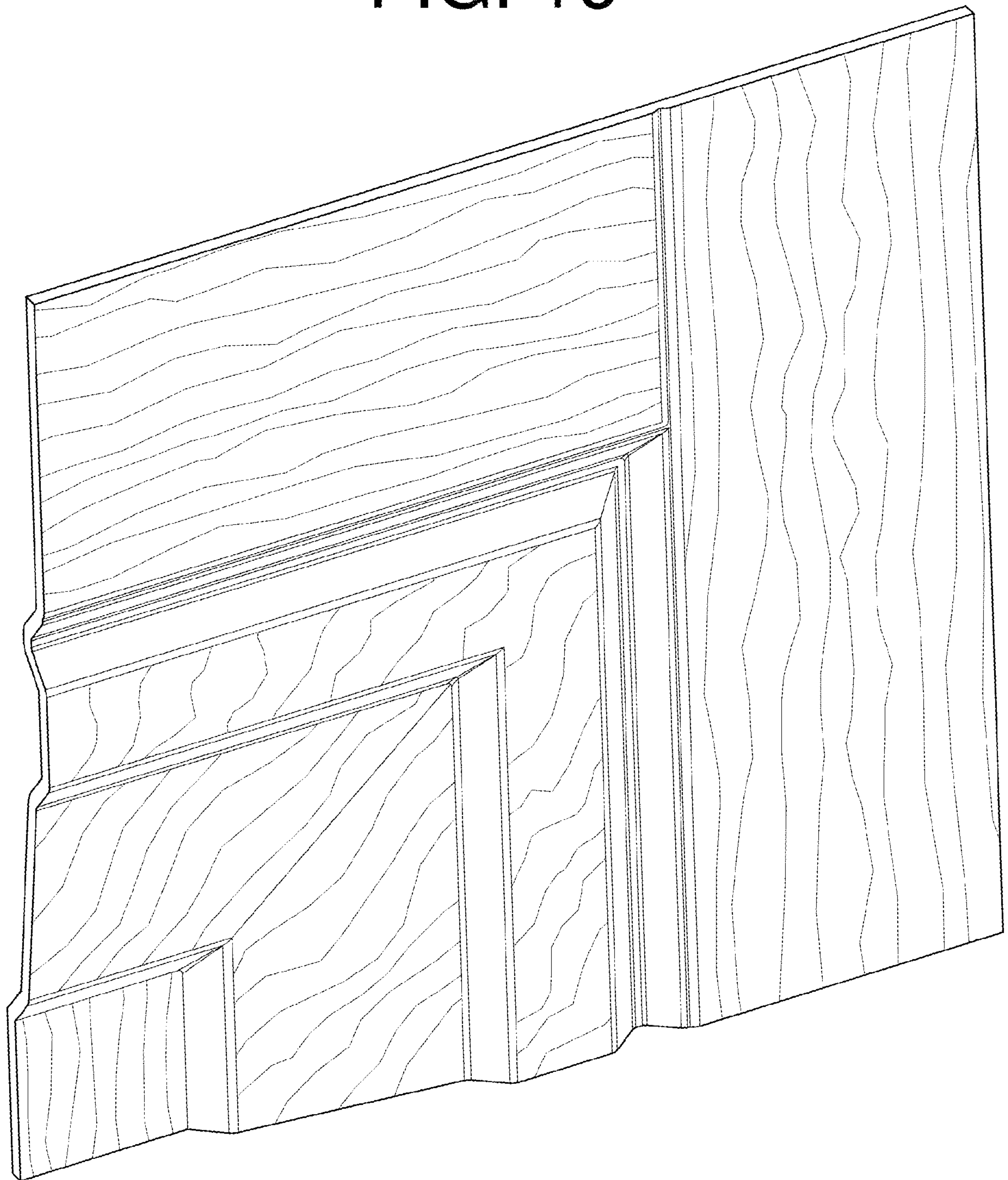


FIG. 17

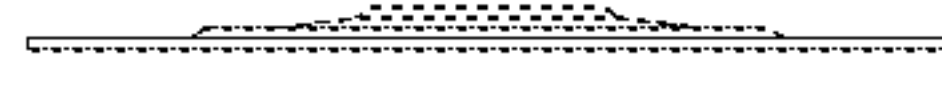


FIG. 18

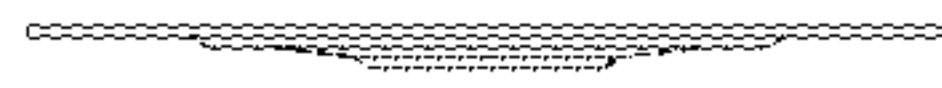


FIG. 19

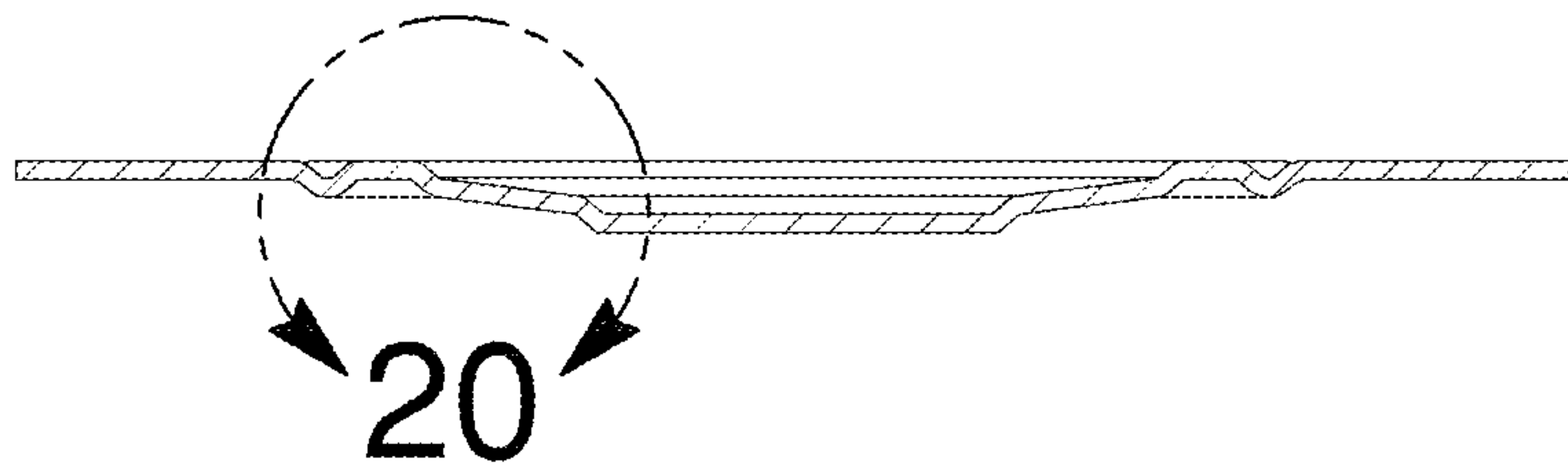


FIG. 20

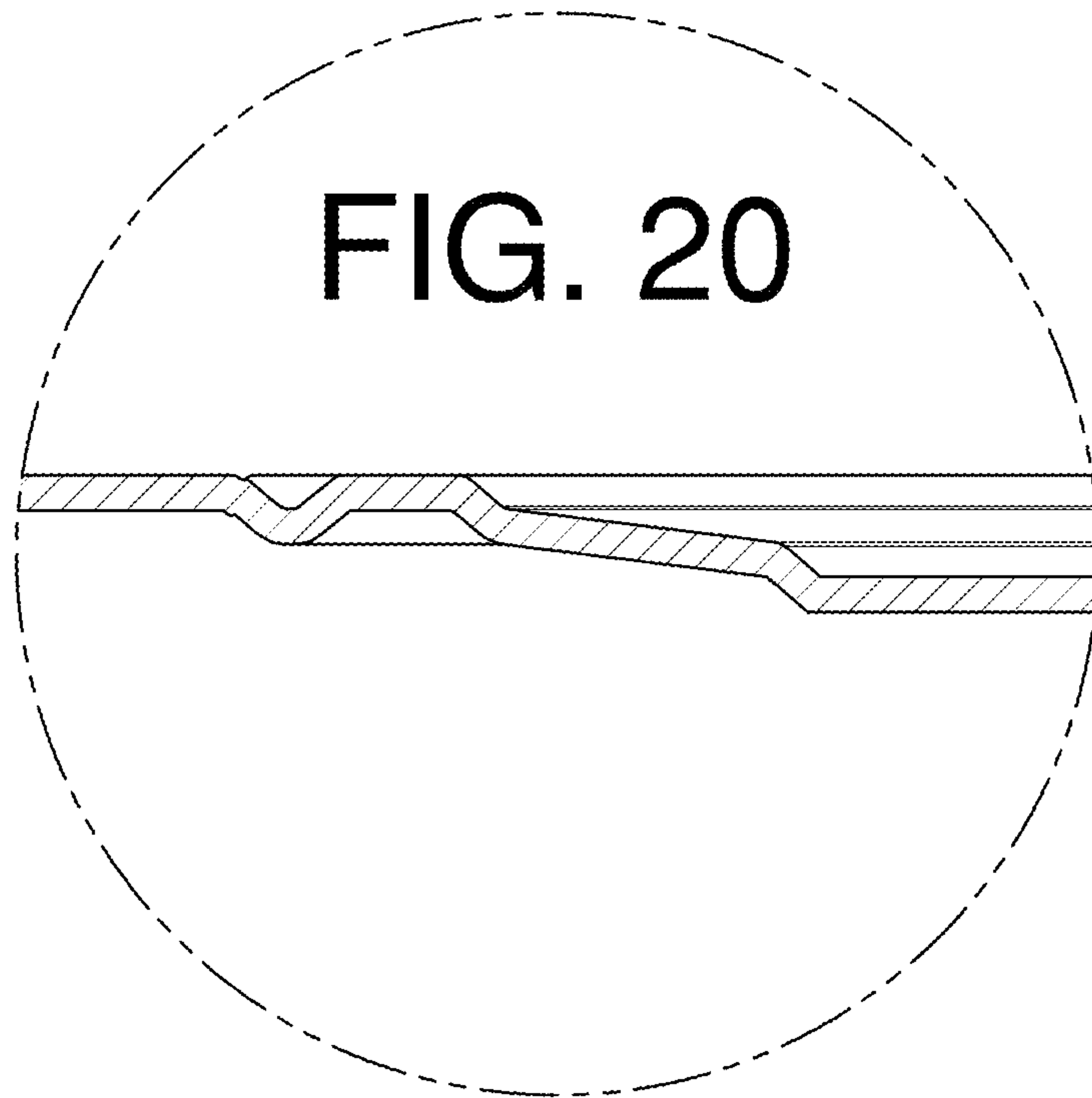


FIG. 21



FIG. 22



FIG. 23

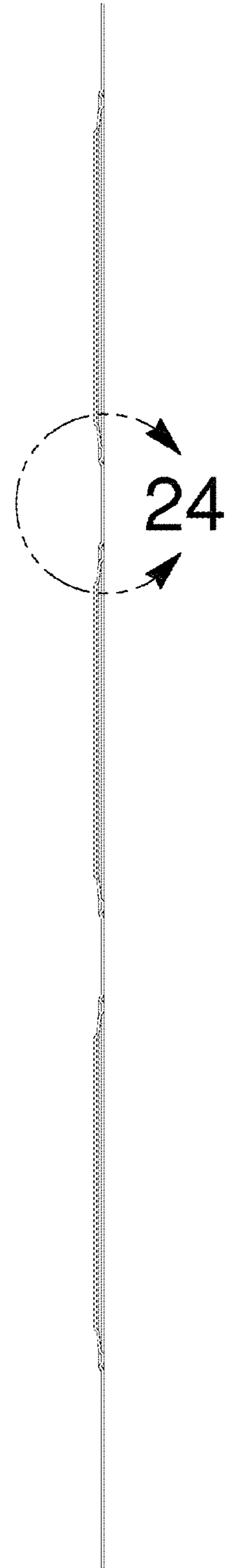


FIG. 24

