



US00D940896S

(12) **United States Design Patent**
Tapocik

(10) **Patent No.:** **US D940,896 S**

(45) **Date of Patent:** **** *Jan. 11, 2022**

(54) **MIXING BASE FOR MULTIPLE COMPONENT CARTRIDGE OR DISPENSING DEVICE**

(71) Applicant: **Bryan Tapocik**, Highland, CA (US)

(72) Inventor: **Bryan Tapocik**, Highland, CA (US)

(73) Assignee: **Innovative Product Brands, Inc.**, Highland, CA (US)

(*) Notice: This patent is subject to a terminal disclaimer.

(**) Term: **15 Years**

(21) Appl. No.: **29/699,679**

(22) Filed: **Jul. 28, 2019**

(51) **LOC (13) Cl.** **24-02**

(52) **U.S. Cl.**
USPC **D24/221**

(58) **Field of Classification Search**
USPC D7/213, 300, 305-309, 310, 311, 313, D7/392, 395, 397-400, 401, 415, 665, D7/683; D9/417, 429, 434, 435, 444, D9/445, 450, 452-454, 499; D24/133, D24/134, 152, 157, 176, 220, 221; D8/14.1; D23/259-262; D15/7, 82, 147; D34/1; D20/1, 4
CPC .. B65D 47/20; B65D 47/2006; B65D 47/205; B65D 83/00; B65D 83/0055; B65D 35/14; B65D 35/36; B65D 35/46; B64D 39/04; F16L 27/0849; F16L 37/38; F16L 59/11; F16L 1/12; F16L 1/18; F16L 1/19; B67D 2001/0087; B67D 1/0021; B67D 1/0085; B67D 1/0086; B67D 1/0089; B67D 1/04; B67D 1/0857; B67D 1/0867; A47K 5/12; A47J 31/00; A47J 31/0573; A47J 31/18; A47J 31/36; A47J 31/407; A47J 31/44;

(Continued)

(56) **References Cited**

U.S. PATENT DOCUMENTS

D313,297 S * 12/1990 Carducci-Cosgrove D34/1
D330,992 S * 11/1992 Kleek D7/399

(Continued)

FOREIGN PATENT DOCUMENTS

EM 000032412-0001 * 9/2003
EM 000370655-0017 * 9/2005

(Continued)

OTHER PUBLICATIONS

Red Devil, "Red Devil 4070 Create-A-Color Plastic Standard Caulk Mixer," Jun. 15, 2006, Amazon.com, www.amazon.com/Red-Devil-4070-Create-Standard/dp/B001738ZKG (Year: 2006).*

(Continued)

Primary Examiner — Shannon W Morgan

Assistant Examiner — Arva P Adams

(74) *Attorney, Agent, or Firm* — Minta Law Group LC

(57) **CLAIM**

The ornamental design for a mixing base for multiple component cartridge or dispensing device, as shown and described.

DESCRIPTION

FIG. 1 is a top, rear-side perspective view of a mixing base for multiple component cartridge or dispensing device, showing my new design;

FIG. 2 is a bottom, rear-side perspective view thereof;

FIG. 3 is a bottom, front-side perspective view thereof;

FIG. 4 is a top plan view thereof;

FIG. 5 is a bottom plan view thereof;

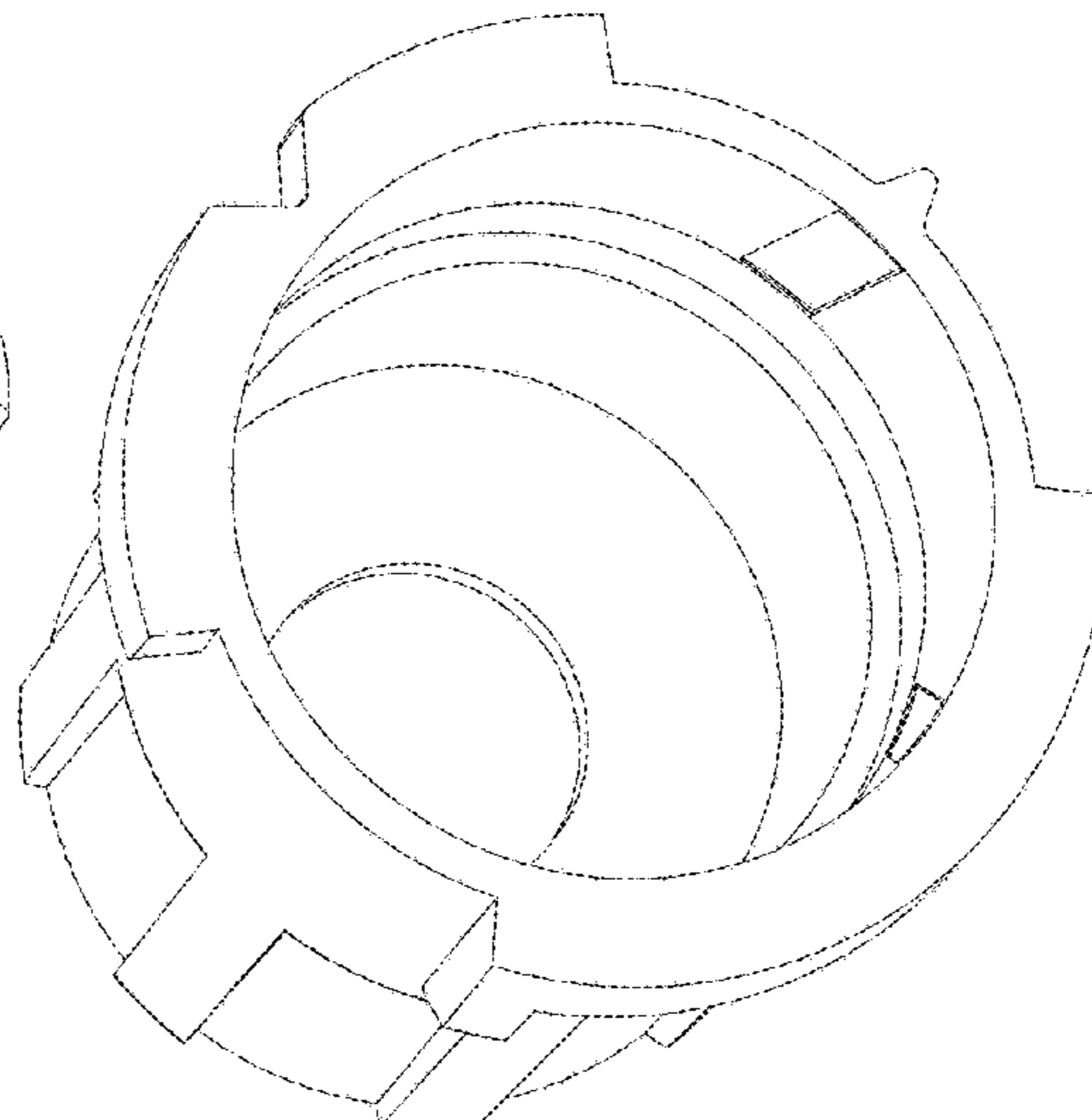
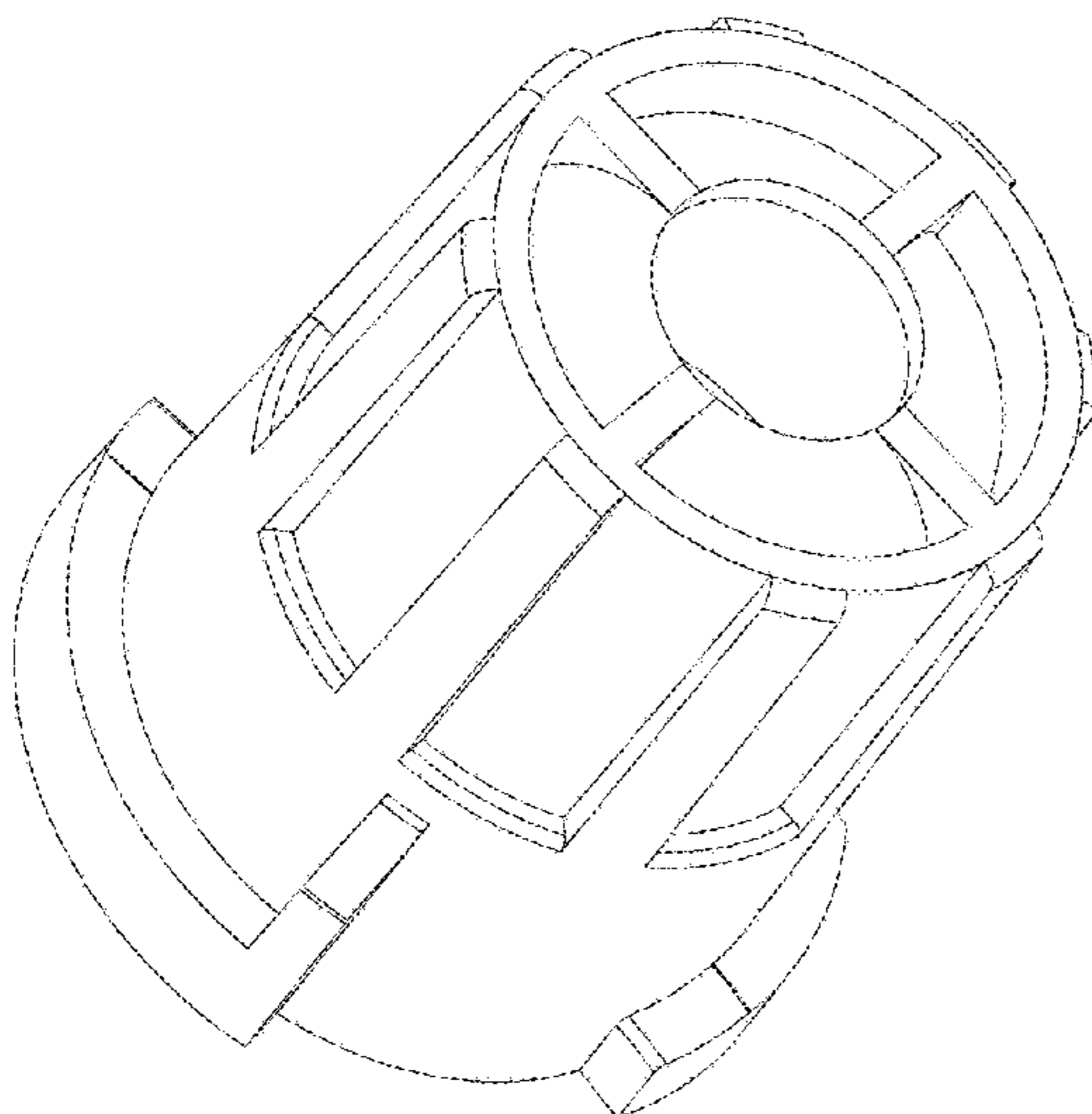
FIG. 6 is a front view thereof;

FIG. 7 is a left side view thereof;

FIG. 8 is a rear view thereof; and,

FIG. 9 is a right side view thereof.

1 Claim, 9 Drawing Sheets



(58) **Field of Classification Search**

CPC A47J 31/4403; A47J 31/46; A47J 31/50;
 A47J 31/52; A47J 27/04; B01F 13/065;
 A61C 9/0026; A61C 5/60; A61C 5/62;
 A61C 5/68; A61C 13/00; A61M 3/00;
 A61M 3/005; B01D 2201/29; B01D
 2201/291; B01D 2201/30; B01D
 2201/301; B01D 2201/306

See application file for complete search history.

(56) **References Cited**

U.S. PATENT DOCUMENTS

5,193,713 A * 3/1993 Greathouse B65F 1/06
 220/495.08
 D398,117 S * 9/1998 Giba D34/1
 D480,639 S * 10/2003 Ciavarella D9/434
 D603,572 S * 11/2009 Morad D34/1
 D672,873 S * 12/2012 An D24/156
 D676,622 S * 2/2013 Thurmond D34/1
 D686,916 S * 7/2013 O'Brien D9/429
 D694,579 S * 12/2013 Khubani B65F 1/06
 D7/400
 D724,624 S * 3/2015 Schlenker D15/7
 D733,908 S * 7/2015 Eckstein B65D 85/8043
 D24/220
 D734,490 S * 7/2015 Eckstein D24/220
 D735,350 S * 7/2015 Eckstein D24/220
 D757,537 S * 5/2016 Trombetta D9/429
 D774,352 S * 12/2016 Gross B05C 17/00503
 D7/400
 D779,875 S * 2/2017 Gross D7/400
 D785,810 S * 5/2017 Wang D24/220
 D820,040 S * 6/2018 Gross D7/400
 D836,979 S * 1/2019 Thomas D7/400
 D843,215 S * 3/2019 Steigelman D9/453
 D850,580 S * 6/2019 Hooper D23/213

D853,185 S * 7/2019 Tapocik A61C 5/62
 D7/397
 10,427,122 B1 * 10/2019 Tapocik B05C 17/00503
 2013/0260335 A1 * 10/2013 Peuker A61C 5/62
 433/90
 2016/0016727 A1 * 1/2016 Katz B65D 85/8043
 426/115

FOREIGN PATENT DOCUMENTS

EM 000434311-0001 * 12/2005
 EM 001094767-0004 * 3/2009
 EM 001682550-0001 * 3/2010
 EM 001814583-0002 * 2/2011
 EM 003030212-0001 * 8/2016

OTHER PUBLICATIONS

DXM Co., Ltd., "50pc Impression Dental Mixing Tips," Sep. 5, 2015, Amazon.com, www.amazon.com/dp/B073VV334H (Year: 2015).*

Miller, Jen, Best Reusable Coffee Filter, Feb. 6, 2017, Jen Reviews, www.jenreviews.com/best-reusable-coffee-filter/ (Year: 2017).*

Styddi, "Styddi Reusable Mesh Coffee Filter," Jan. 1, 2017, Amazon.com, www.amazon.com/dp/B01N4JX39N (Year: 2017).*

Sulzer Mixpac AG, "Mixpac T-Mixer Colibri plus—One mixing tip, four indications," Dec. 12, 2017, YouTube.com, www.youtube.com/watch?v=k38LPZiwxAw (Year: 2017).*

PlastCare USA, "200 20 Gauge Black Dental Pre Bent Flow Dispensing Tips," Jun. 26, 2019, Amazon.com, www.amazon.com/dp/B07TLF2VH4 (Year: 2019).*

Smedent, "Dental Mixing Tips Impression Yellow," Jul. 12, 2019, Amazon.com, www.amazon.com/dp/B07V4VLQ4N (Year: 2019).*

IPB, Inc., "DentMix: The only dual mixing tip delivery system with VID technology," May 1, 2020, DentMix.com (Year: 2020).*

* cited by examiner

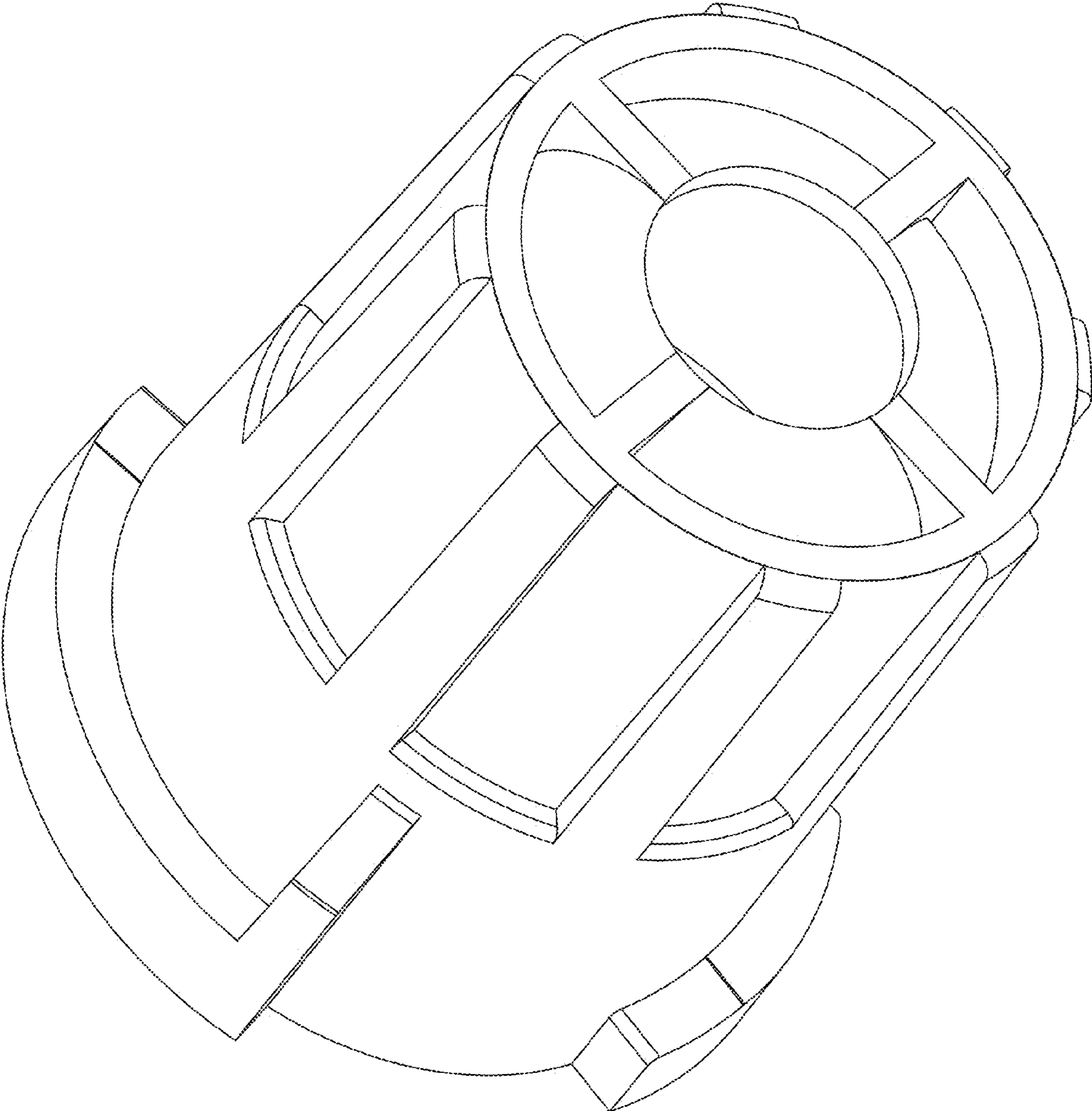


FIG. 1

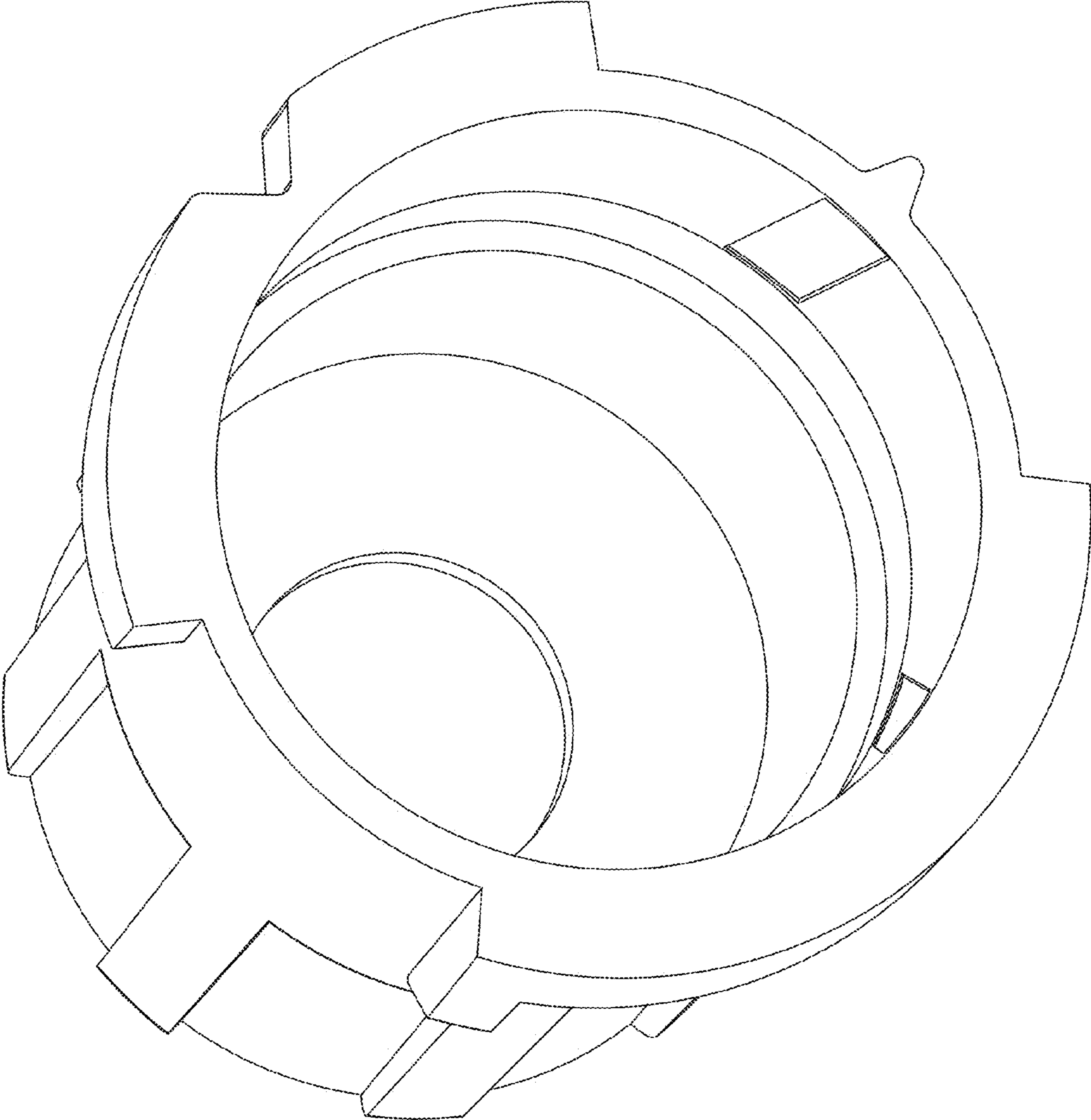


FIG. 2

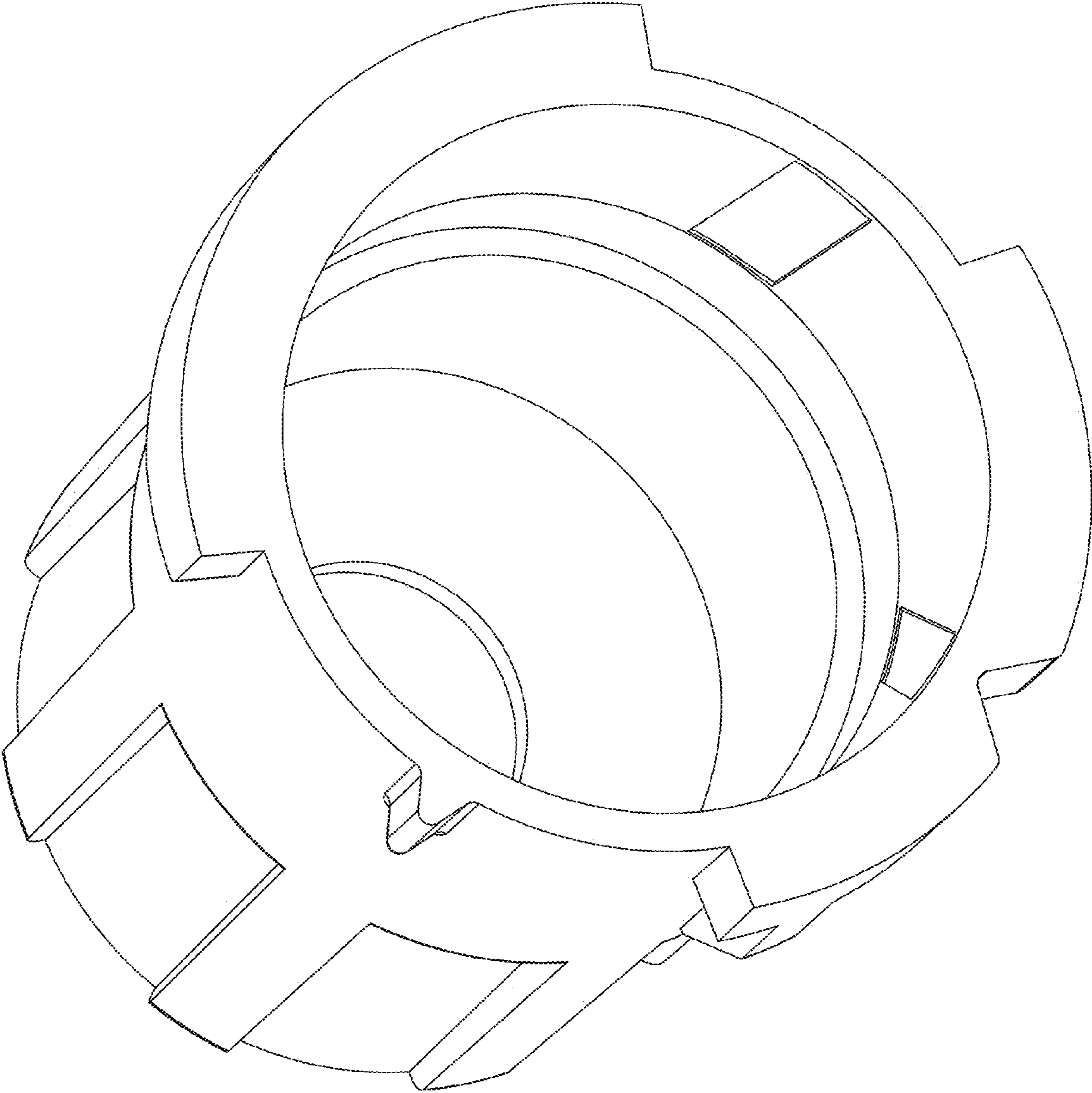


FIG. 3

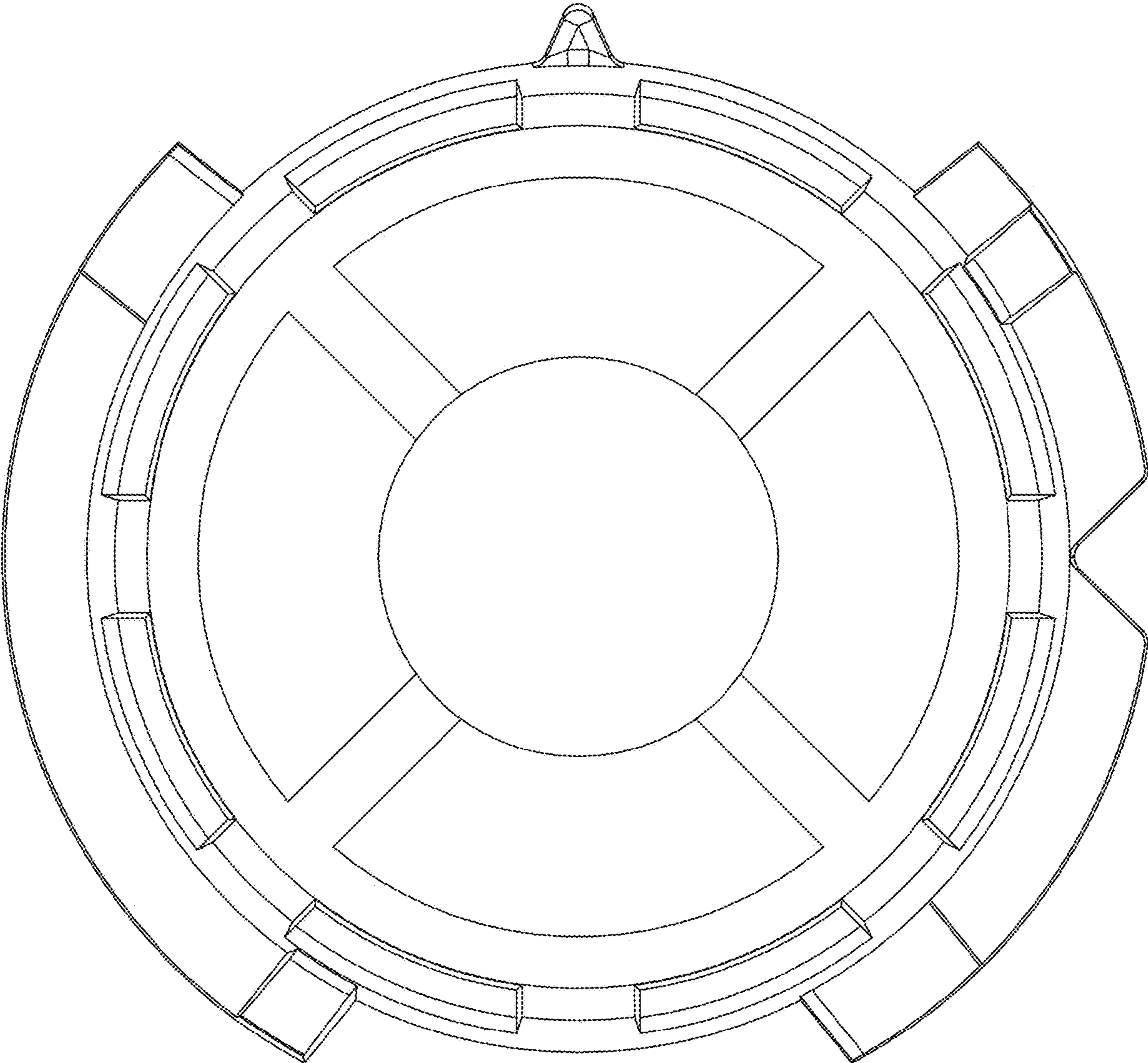


FIG. 4

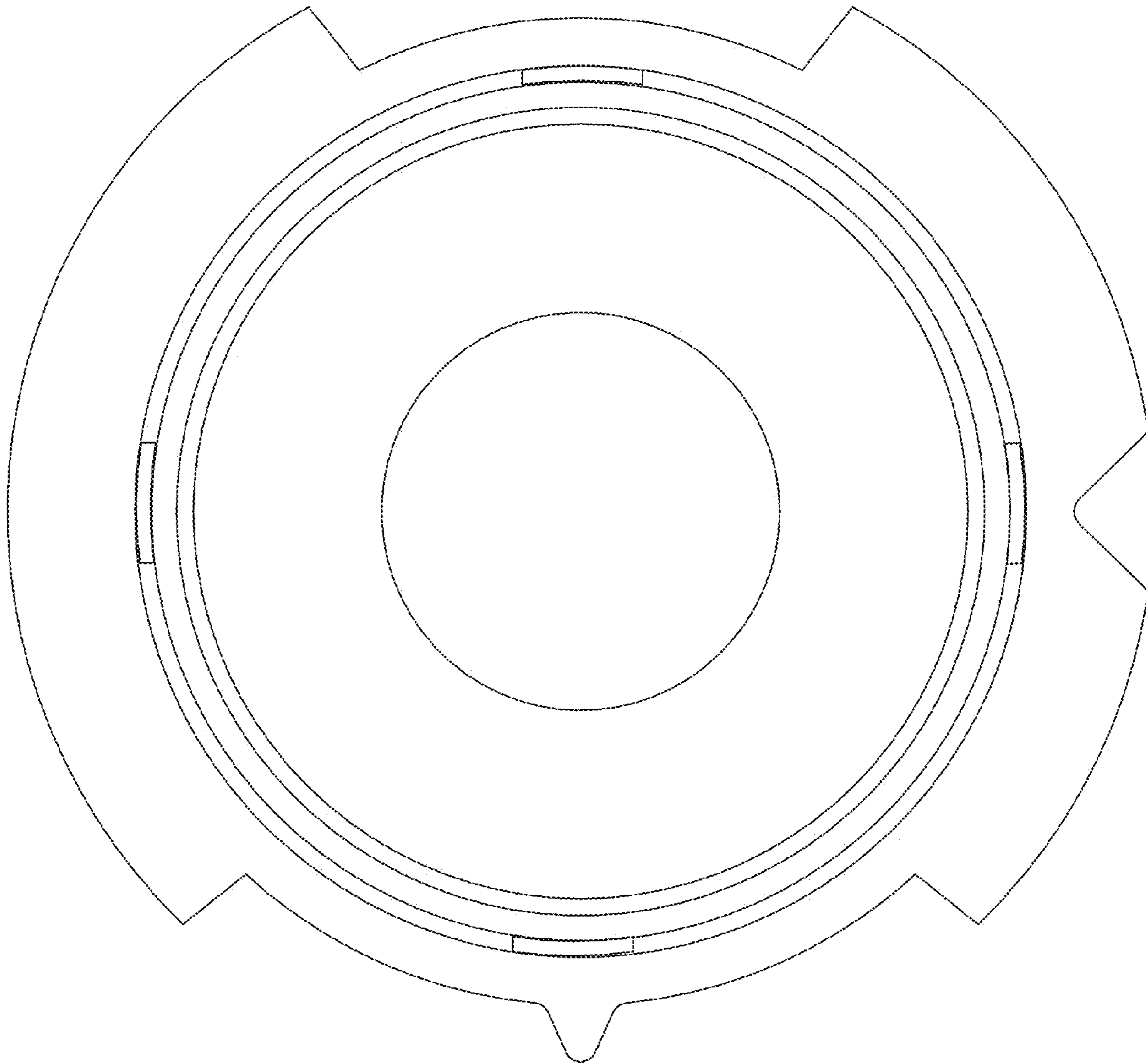


FIG. 5

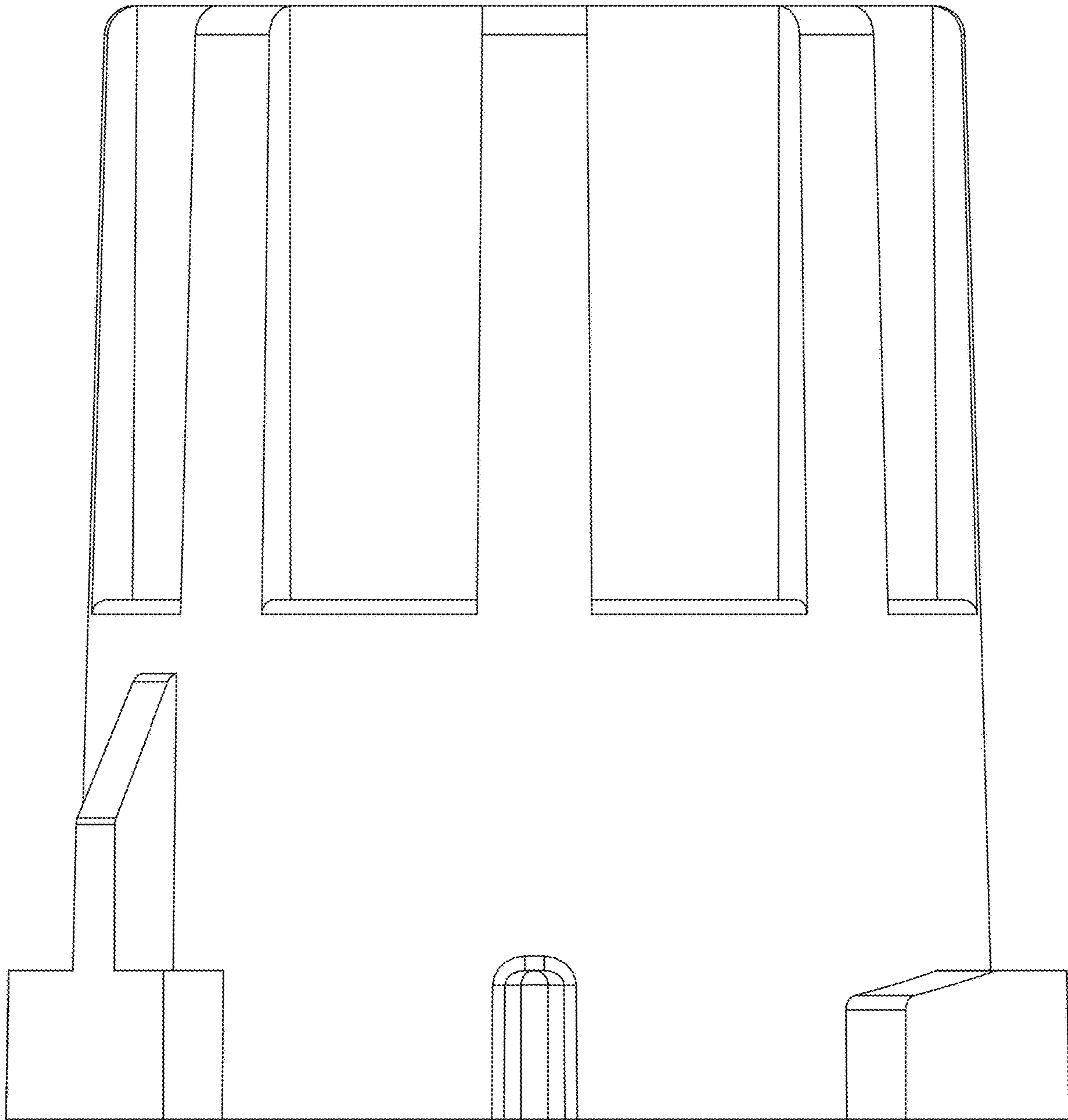


FIG. 6

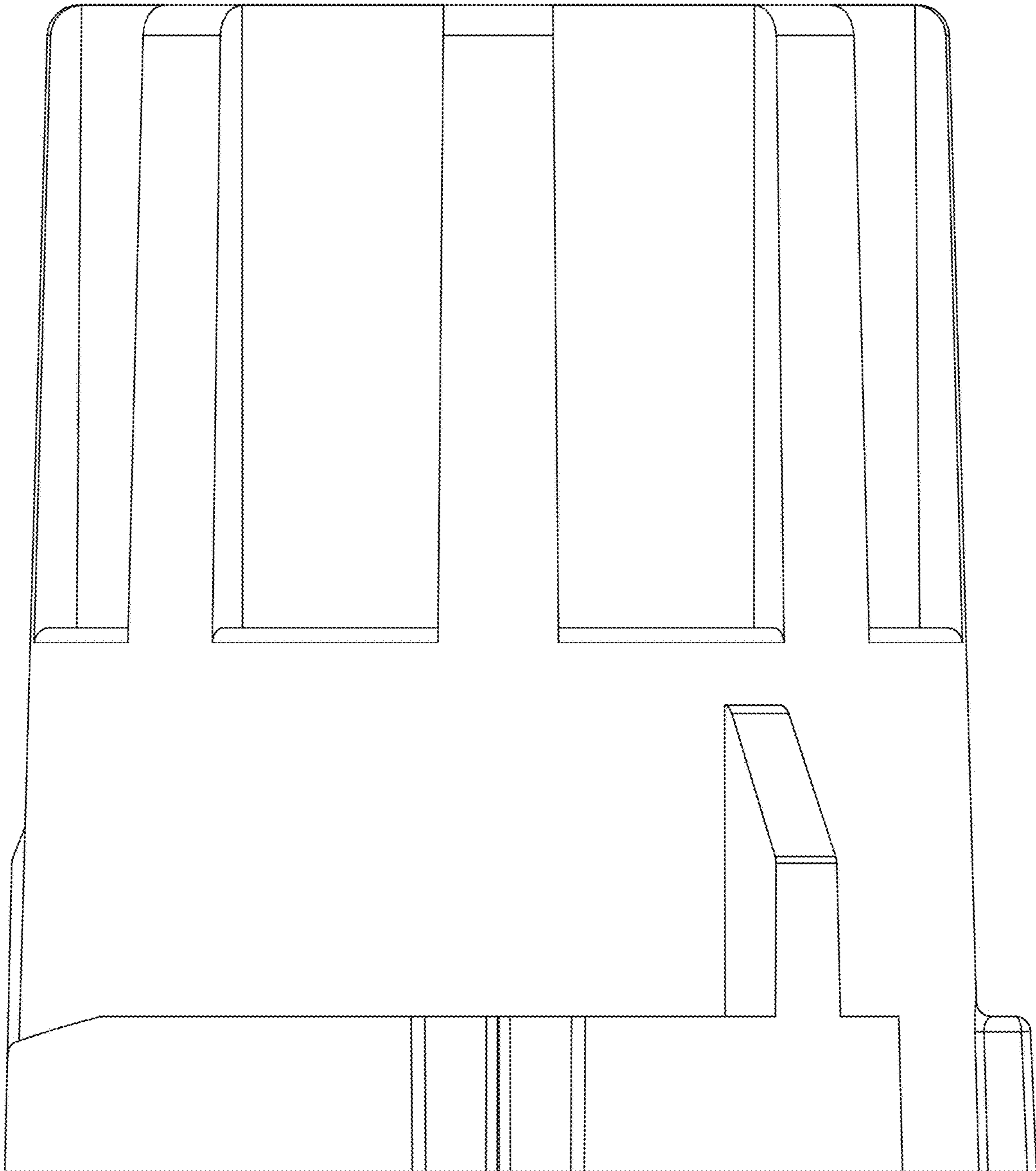


FIG. 7

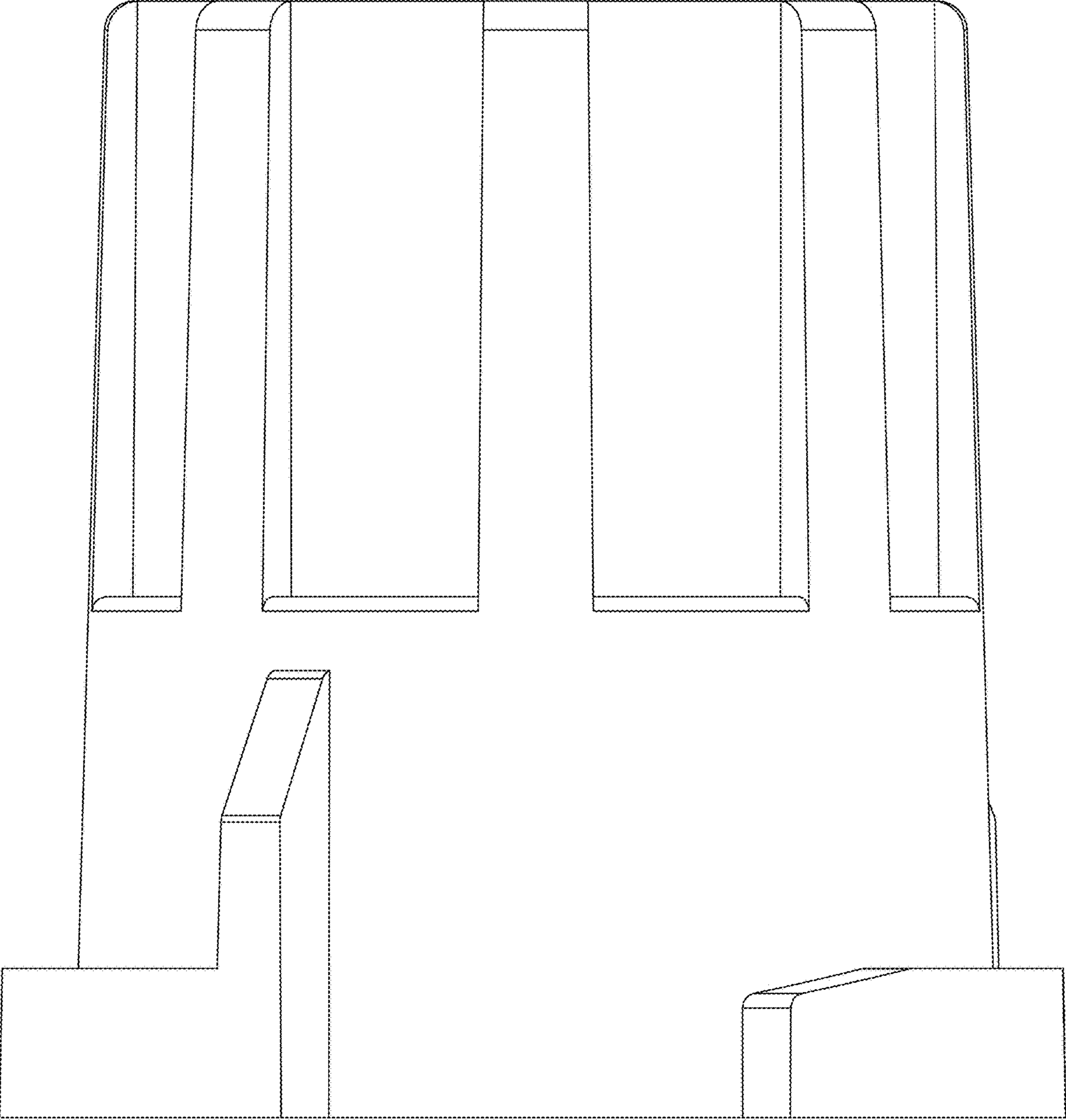


FIG. 8

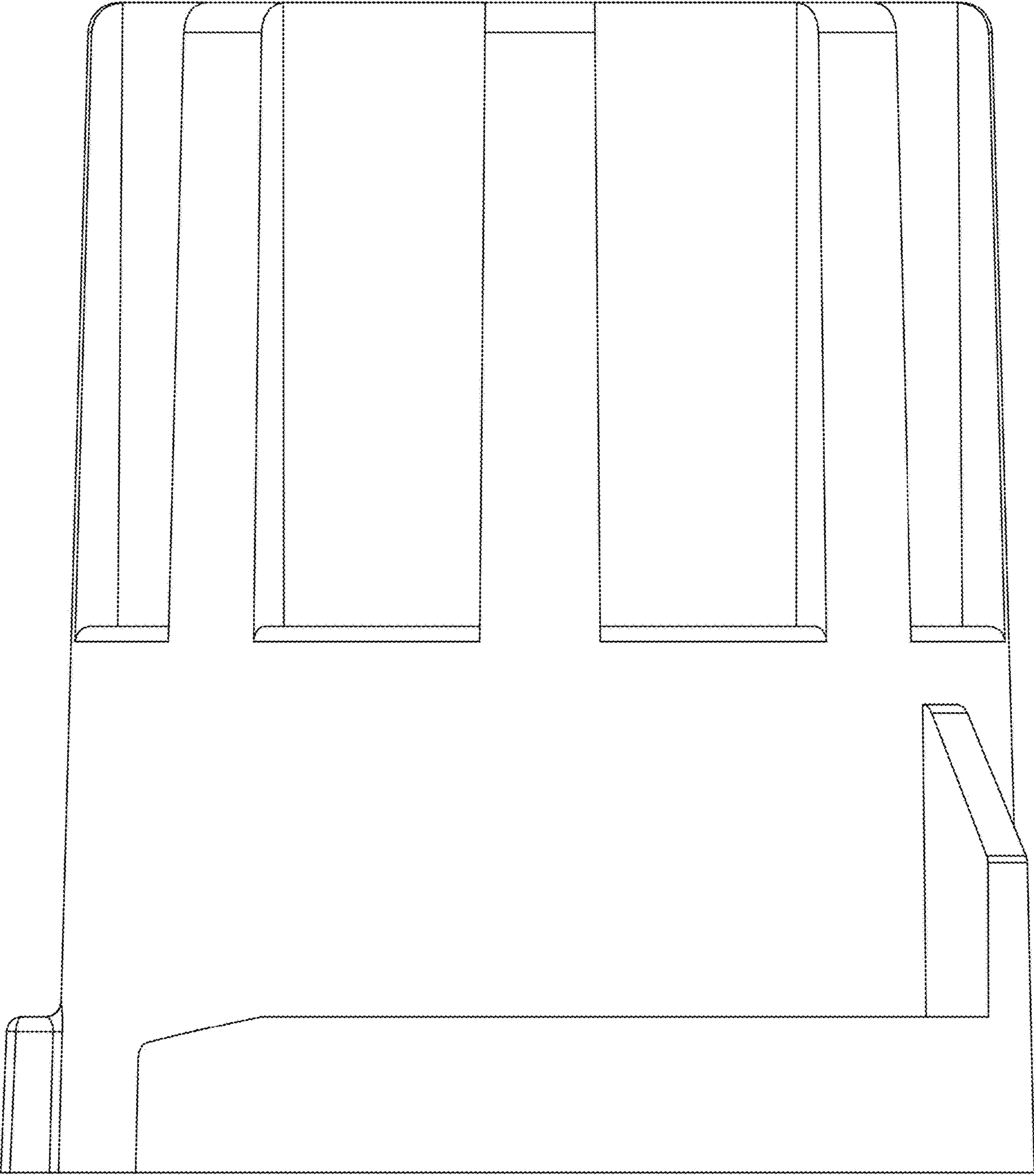


FIG. 9