



US00D940895S

(12) **United States Design Patent**  
**Tapocik**

(10) **Patent No.:** **US D940,895 S**

(45) **Date of Patent:** **\*\* \*Jan. 11, 2022**

(54) **MIXING BASE FOR MULTIPLE COMPONENT CARTRIDGE OR DISPENSING DEVICE**

(71) Applicant: **Bryan Tapocik**, Highland, CA (US)

(72) Inventor: **Bryan Tapocik**, Highland, CA (US)

(73) Assignee: **Innovative Product Brands, Inc.**, Highland, CA (US)

(\*) Notice: This patent is subject to a terminal disclaimer.

(\*\*) Term: **15 Years**

(21) Appl. No.: **29/699,678**

(22) Filed: **Jul. 28, 2019**

(51) **LOC (13) Cl.** ..... **24-02**

(52) **U.S. Cl.**  
USPC ..... **D24/221**

(58) **Field of Classification Search**  
USPC ..... D7/213, 300, 305-309, 310, 311, 313, D7/392, 395, 397-400, 401, 415, 665, D7/683; D9/417, 429, 434, 435, 444, D9/445, 450, 452-454, 499; D24/133, D24/134, 152, 157, 176, 220, 221; D8/14.1; D23/259-262; D15/7, 82, 147; D34/1; D20/1, 4  
CPC .. B65D 47/20; B65D 47/2006; B65D 47/205; B65D 83/00; B65D 83/0055; B65D 35/14; B65D 35/36; B65D 35/46; B64D 39/04; F16L 27/0849; F16L 37/38; F16L 59/11; F16L 1/12; F16L 1/18; F16L 1/19; B67D 2001/0087; B67D 1/0021; B67D 1/0085; B67D 1/0086; B67D 1/0089; B67D 1/04; B67D 1/0857; B67D 1/0867; A47K 5/12; A47J 31/00; A47J 31/0573; A47J 31/18; A47J 31/36; A47J 31/407; A47J 31/44;

(Continued)

(56) **References Cited**

U.S. PATENT DOCUMENTS

D313,297 S \* 12/1990 Carducci-Cosgrove ..... D34/1  
D330,992 S \* 11/1992 Kleek ..... D7/399

(Continued)

FOREIGN PATENT DOCUMENTS

EM 000032412-0001 \* 9/2003  
EM 000370655-0017 \* 9/2005

(Continued)

OTHER PUBLICATIONS

Red Devil, "Red Devil 4070 Create-A-Color Plastic Standard Caulk Mixer," Jun. 15, 2006, Amazon.com, www.amazon.com/Red-Devil-4070-Create-Standard/dp/B001738ZKG (Year: 2006).\*

(Continued)

*Primary Examiner* — Shannon W Morgan

*Assistant Examiner* — Arva P Adams

(74) *Attorney, Agent, or Firm* — Minta Law Group LC

(57) **CLAIM**

The ornamental design for a mixing base for multiple component cartridge or dispensing device, as shown and described.

**DESCRIPTION**

FIG. 1 is a top, rear-side perspective view of a mixing base for multiple component cartridge or dispensing device, showing my new design;

FIG. 2 is a bottom, rear-side perspective view thereof;

FIG. 3 is a bottom, front-side perspective view thereof;

FIG. 4 is a top plan view thereof;

FIG. 5 is a bottom plan view thereof;

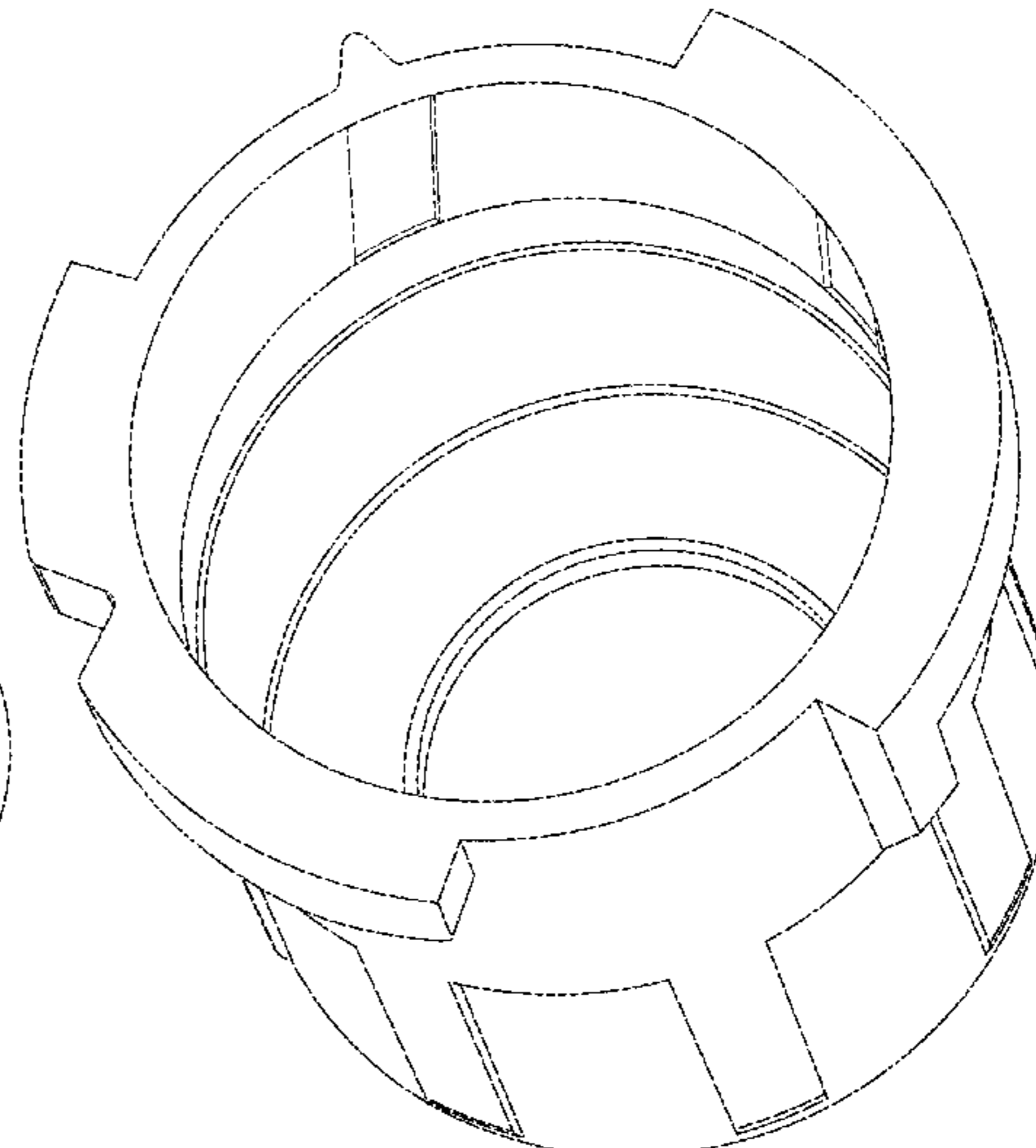
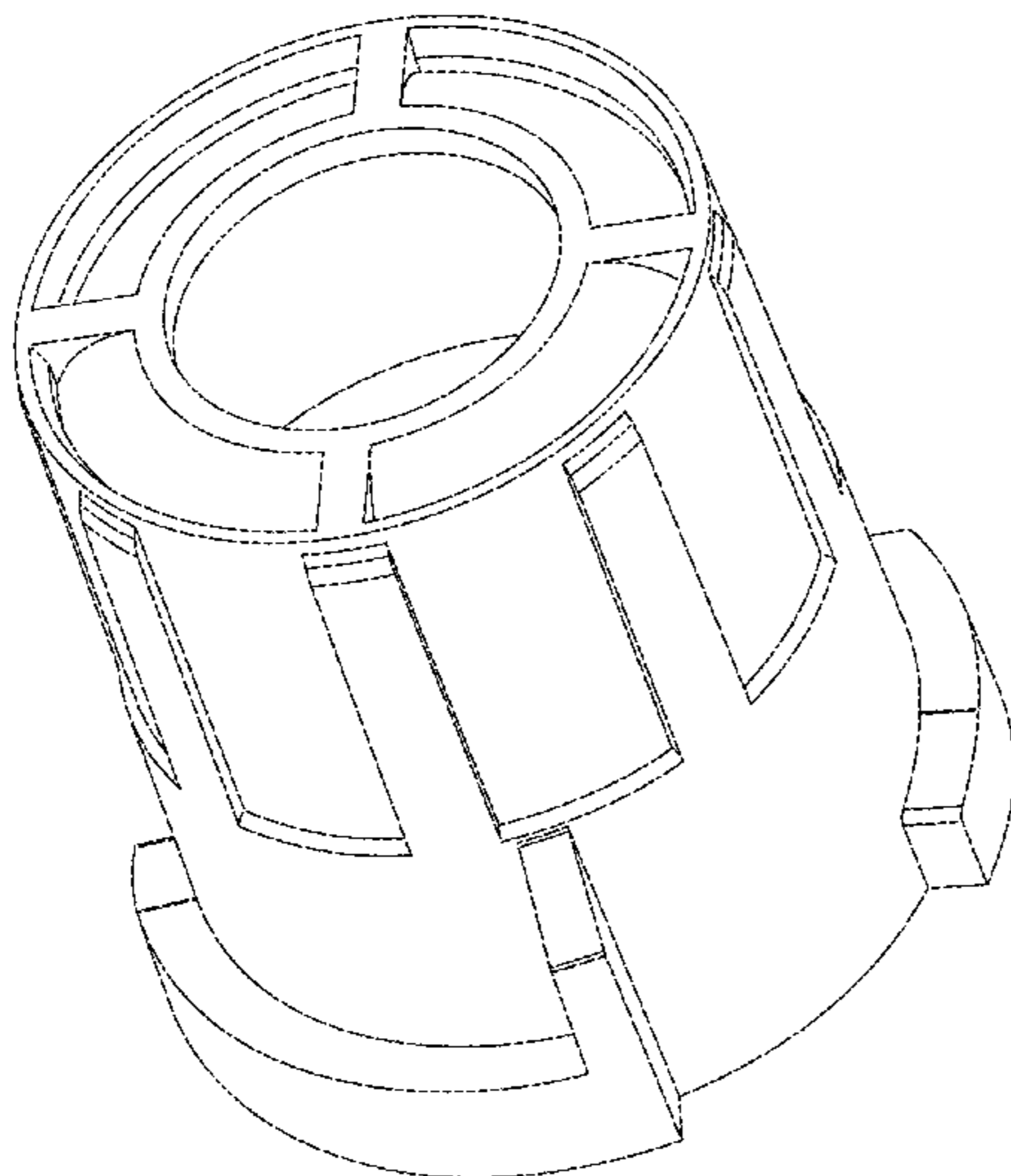
FIG. 6 is a front view thereof;

FIG. 7 is a left side view thereof;

FIG. 8 is a rear view thereof; and,

FIG. 9 is a right side view thereof.

**1 Claim, 9 Drawing Sheets**



(58) **Field of Classification Search**

CPC ..... A47J 31/4403; A47J 31/46; A47J 31/50;  
 A47J 31/52; A47J 27/04; B01F 13/065;  
 A61C 9/0026; A61C 5/60; A61C 5/62;  
 A61C 5/68; A61C 13/00; A61M 3/00;  
 A61M 3/005; B01D 2201/29; B01D  
 2201/291; B01D 2201/30; B01D  
 2201/301; B01D 2201/306

See application file for complete search history.

(56) **References Cited**

U.S. PATENT DOCUMENTS

5,193,713 A \* 3/1993 Greathouse ..... B65F 1/06  
 220/495.08  
 D398,117 S \* 9/1998 Giba ..... D34/1  
 D480,639 S \* 10/2003 Ciavarella ..... D9/434  
 D603,572 S \* 11/2009 Morad ..... D34/1  
 D672,873 S \* 12/2012 An ..... D24/156  
 D676,622 S \* 2/2013 Thurmond ..... D34/1  
 D686,916 S \* 7/2013 O'Brien ..... D9/429  
 D694,579 S \* 12/2013 Khubani ..... B65F 1/06  
 D7/400  
 D724,624 S \* 3/2015 Schlenker ..... D15/7  
 D733,908 S \* 7/2015 Eckstein ..... B65D 85/8043  
 D24/220  
 D734,490 S \* 7/2015 Eckstein ..... D24/220  
 D735,350 S \* 7/2015 Eckstein ..... D24/220  
 D757,537 S \* 5/2016 Trombetta ..... D9/429  
 D774,352 S \* 12/2016 Gross ..... B05C 17/00503  
 D7/400  
 D779,875 S \* 2/2017 Gross ..... D7/400  
 D785,810 S \* 5/2017 Wang ..... D24/220  
 D820,040 S \* 6/2018 Gross ..... D7/400  
 D836,979 S \* 1/2019 Thomas ..... D7/400  
 D843,215 S \* 3/2019 Steigelman ..... D9/453  
 D850,580 S \* 6/2019 Hooper ..... D23/213

D853,185 S \* 7/2019 Tapocik ..... A61C 5/62  
 D7/397  
 10,427,122 B1 \* 10/2019 Tapocik ..... B05C 17/00503  
 2013/0260335 A1 \* 10/2013 Peuker ..... A61C 5/62  
 433/90  
 2016/0016727 A1 \* 1/2016 Katz ..... B65D 85/8043  
 426/115

FOREIGN PATENT DOCUMENTS

EM 000434311-0001 \* 12/2005  
 EM 001094767-0004 \* 3/2009  
 EM 001682550-0001 \* 3/2010  
 EM 001814583-0002 \* 2/2011  
 EM 003030212-0001 \* 8/2016

OTHER PUBLICATIONS

DXM Co., Ltd., "50pc Impression Dental Mixing Tips," Sep. 5, 2015, Amazon.com, [www.amazon.com/dp/B073VV334H](http://www.amazon.com/dp/B073VV334H) (Year: 2015).\*

Miller, Jen, Best Reusable Coffee Filter, Feb. 6, 2017, Jen Reviews, [www.jenreviews.com/best-reusable-coffee-filter/](http://www.jenreviews.com/best-reusable-coffee-filter/) (Year: 2017).\*

STYDDI, "STYDDI Reusable Mesh Coffee Filter," Jan. 1, 2017, Amazon.com, [www.amazon.com/dp/B01N4JX39N](http://www.amazon.com/dp/B01N4JX39N) (Year: 2017).\*

Sulzer Mixpac AG, "MIXPAC T-Mixer Colibri plus—One mixing tip, four indications," Dec. 12, 2017, YouTube.com, [www.youtube.com/watch?v=k38LPZlwxAw](http://www.youtube.com/watch?v=k38LPZlwxAw) (Year: 2017).\*

PlastCare USA, "200 20 Gauge Black Dental Pre Bent Flow Dispensing Tips," Jun. 26, 2019, Amazon.com, [www.amazon.com/dp/B07TLF2VH4](http://www.amazon.com/dp/B07TLF2VH4) (Year: 2019).\*

Smedent, "Dental Mixing Tips Impression Yellow," Jul. 12, 2019, Amazon.com, [www.amazon.com/dp/B07V4VLQ4N](http://www.amazon.com/dp/B07V4VLQ4N) (Year: 2019).\*

IPB, Inc., "DentMix: The only dual mixing tip delivery system with VID technology," May 1, 2020, DentMix.com (Year: 2020).\*

\* cited by examiner

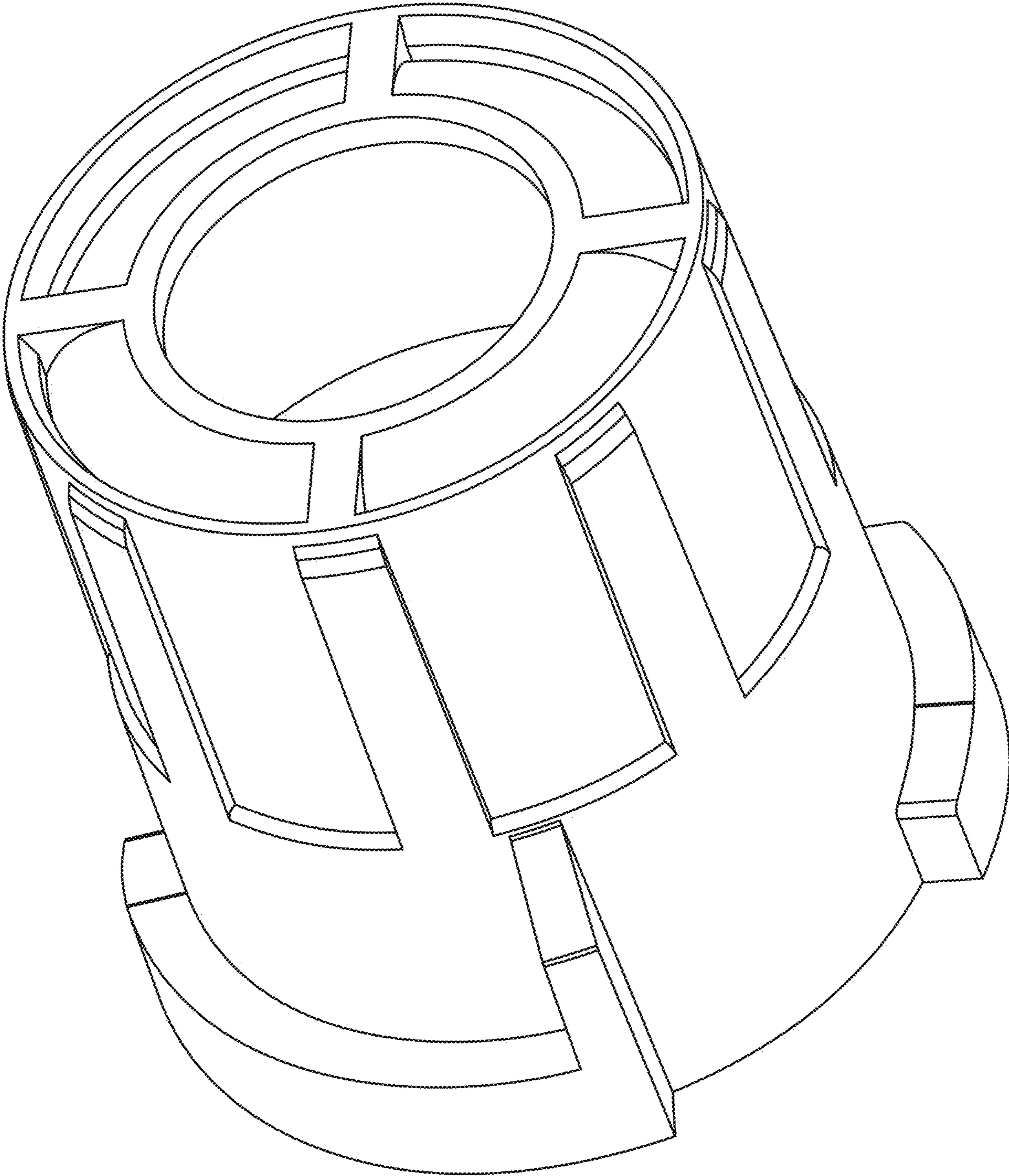


FIG. 1

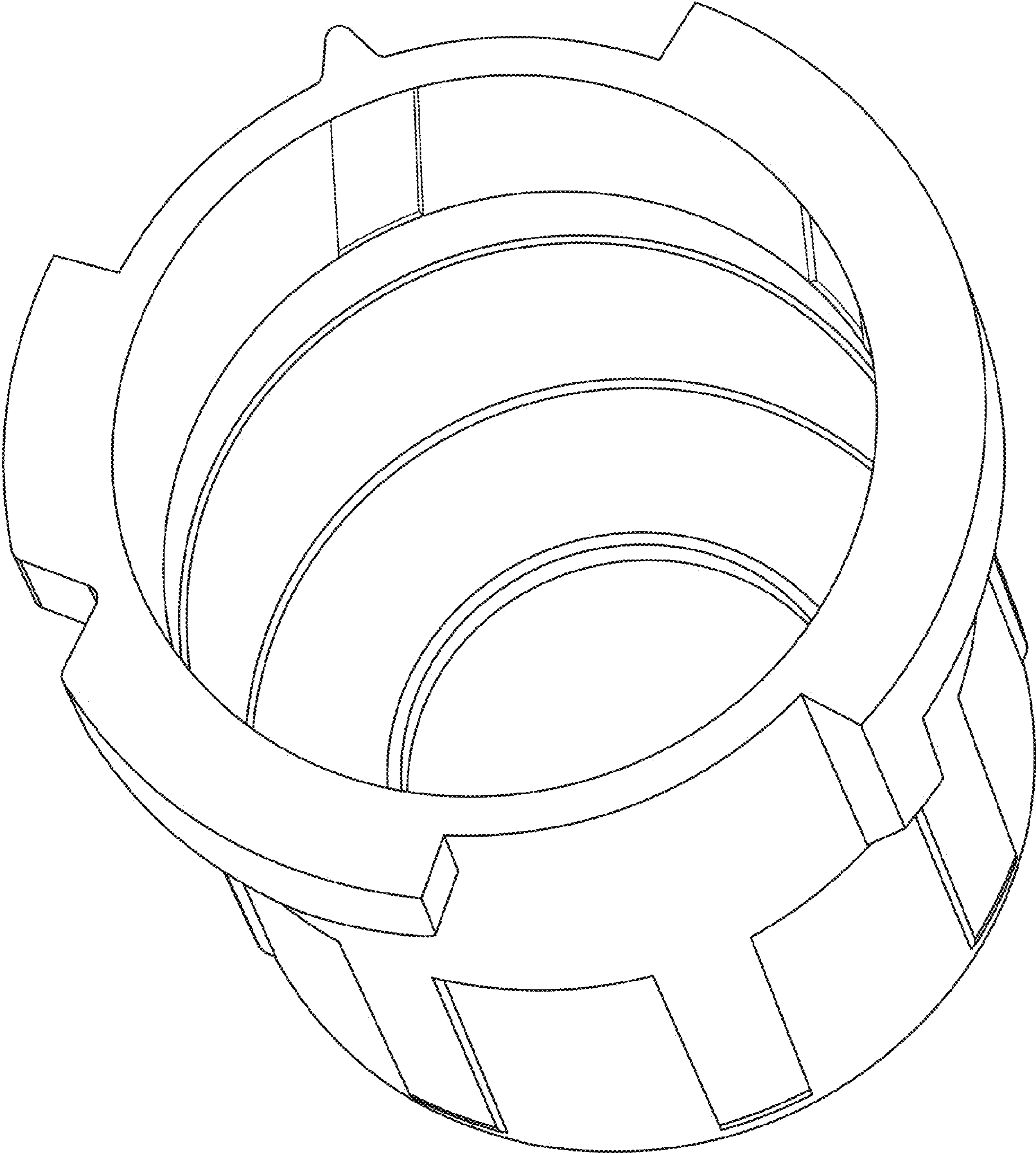


FIG. 2

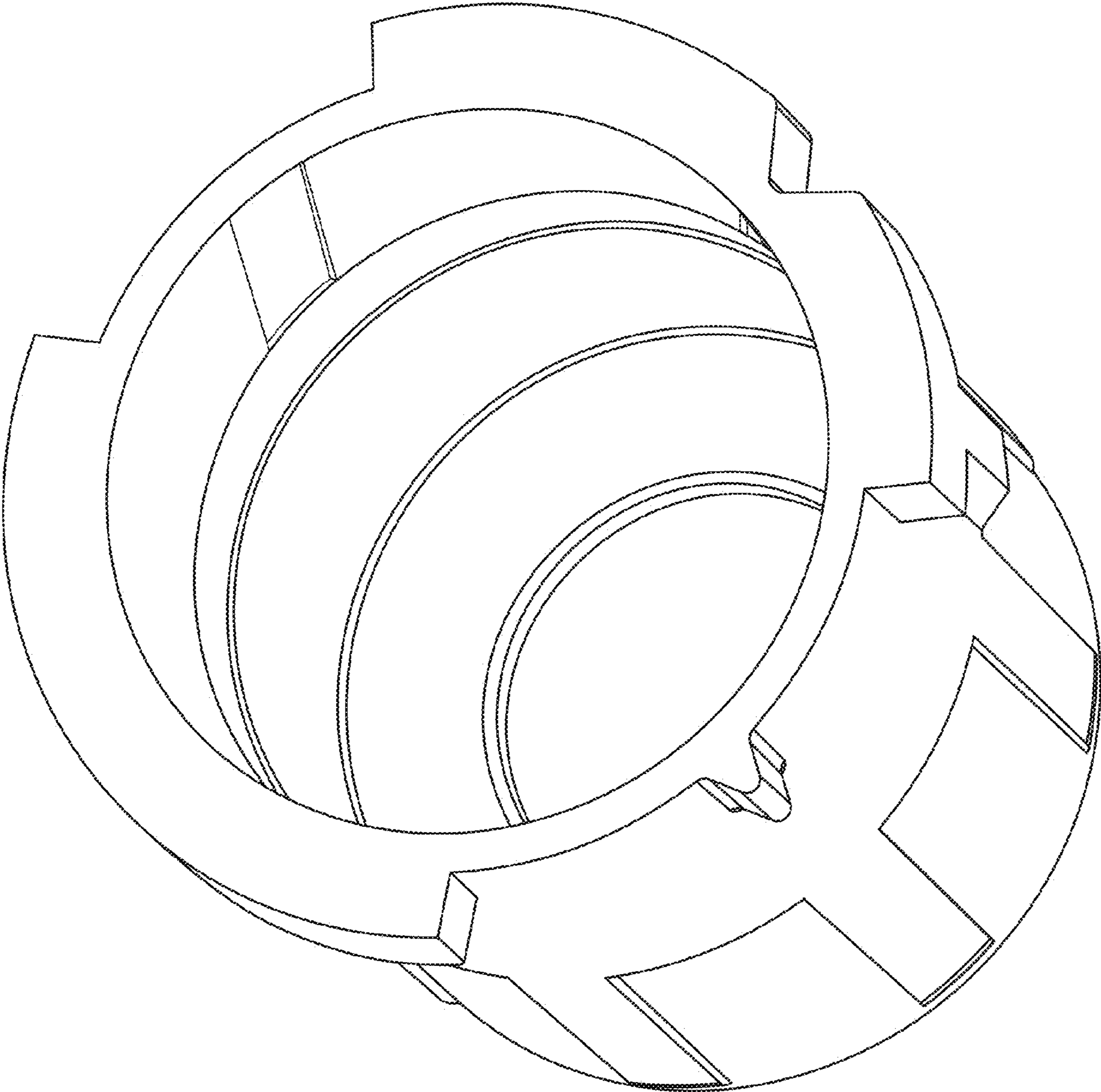


FIG. 3

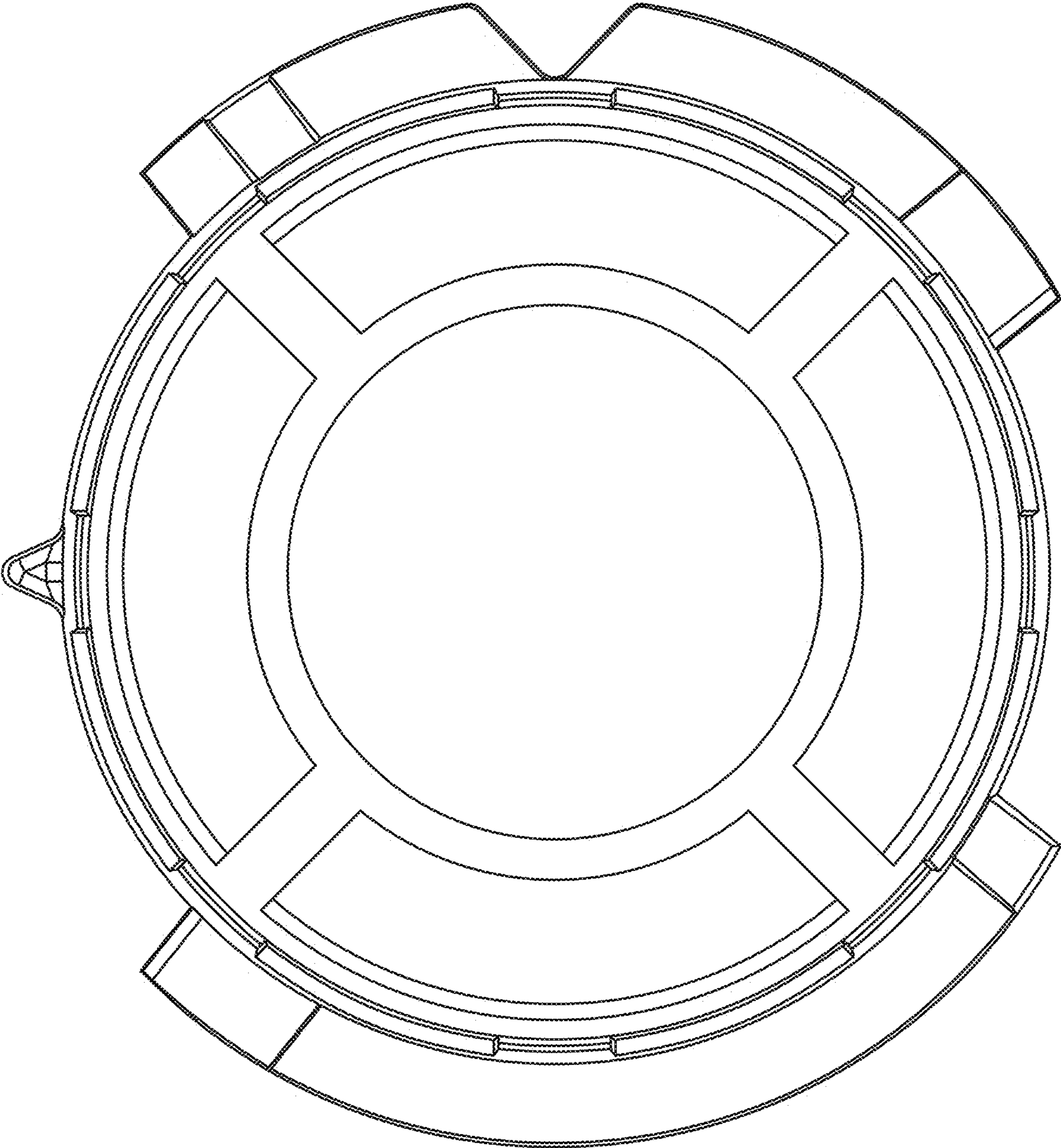


FIG. 4

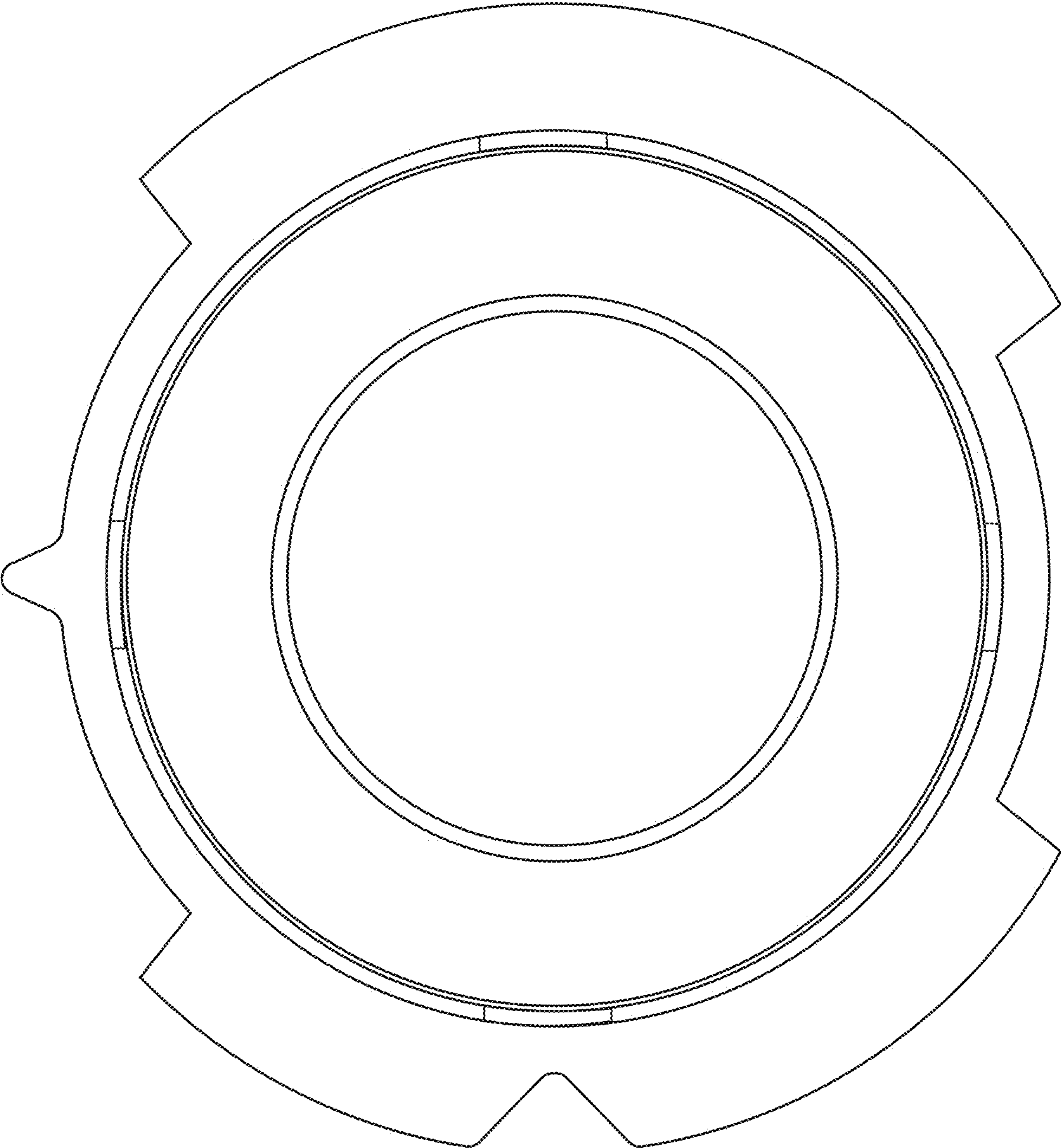


FIG. 5

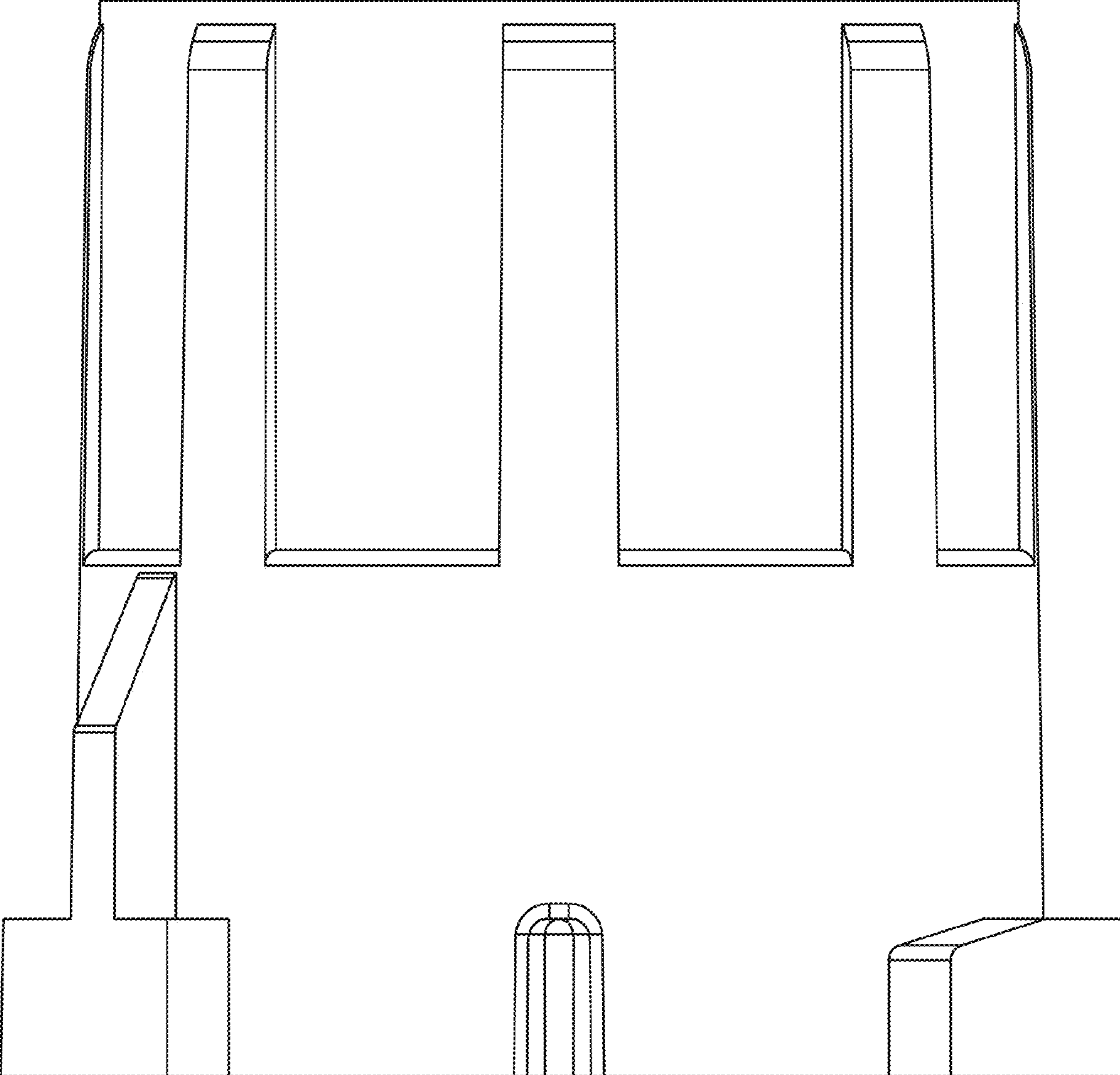


FIG. 6



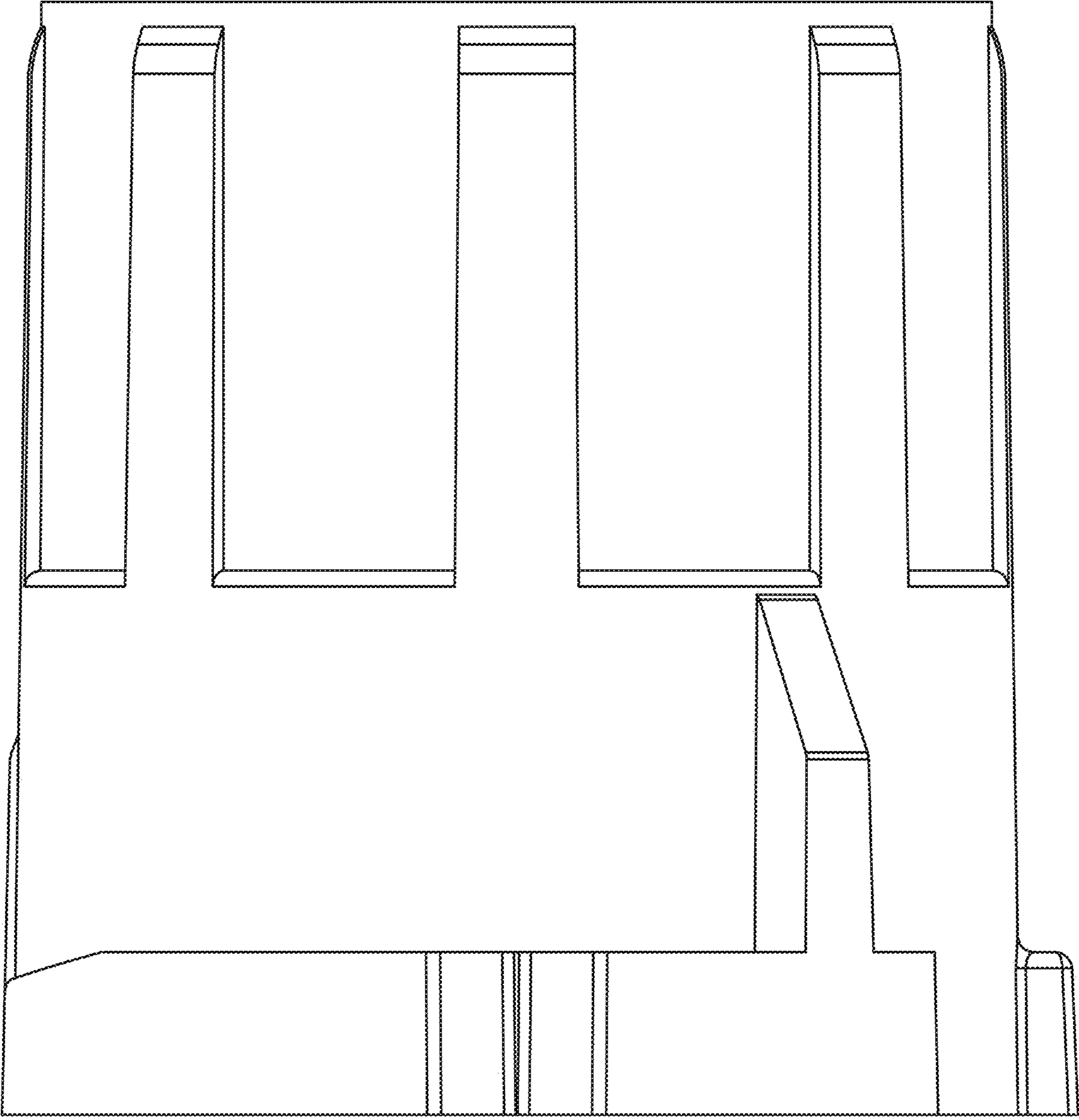


FIG. 7

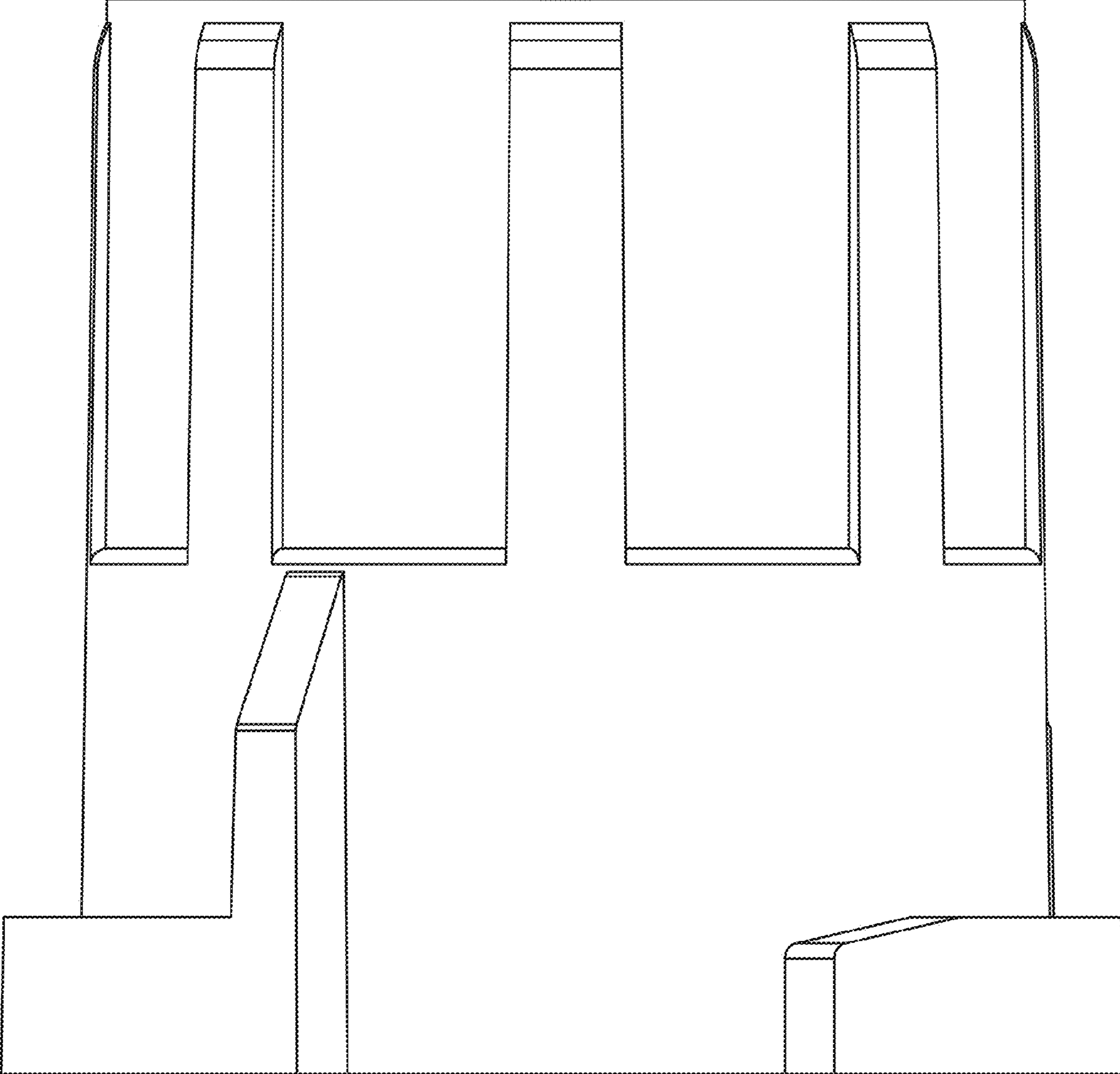


FIG. 8

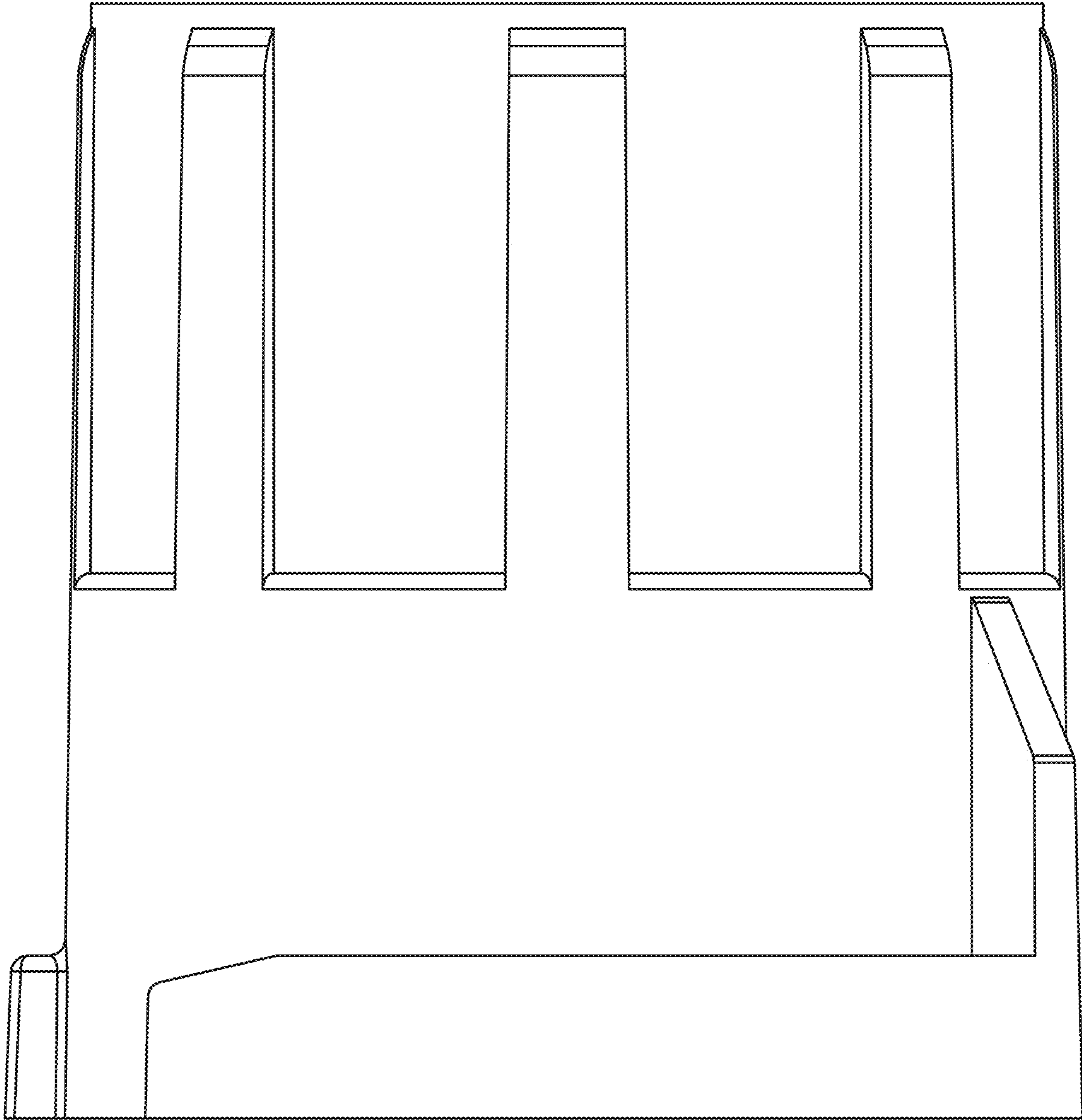


FIG. 9