



US00D940888S

(12) **United States Design Patent**  
**Zhang**

(10) **Patent No.:** **US D940,888 S**  
(45) **Date of Patent:** **\*\* Jan. 11, 2022**

(54) **PORTABLE CERVICAL TRACTION DEVICE**

(71) Applicant: **Shenzhen Tugou Technology Co., Ltd.**, Shenzhen (CN)

(72) Inventor: **Qiao Zhang**, Shenzhen (CN)

(\*\*) Term: **15 Years**

(21) Appl. No.: **29/699,742**

(22) Filed: **Jul. 29, 2019**

(51) **LOC (13) Cl.** ..... **24-01**

(52) **U.S. Cl.**

USPC ..... **D24/191**

(58) **Field of Classification Search**

USPC ..... D24/200, 206, 215, 183, 185–191

CPC ..... A61F 5/028; A61F 5/055; A61F 5/3738;

A61F 13/108; A61F 13/062

See application file for complete search history.

(56) **References Cited**

**U.S. PATENT DOCUMENTS**

4,784,122	A *	11/1988	Graham	.....	A61H 1/0218 602/35
D845,492	S *	4/2019	Sudell	.....	D24/190
D845,493	S *	4/2019	Sudell	.....	D24/190
D845,494	S *	4/2019	Sudell	.....	D24/190
D870,898	S *	12/2019	Sudell	.....	D24/190
D896,975	S *	9/2020	Chen	.....	D24/191
2003/0088200	A1 *	5/2003	Saunders	.....	A61F 5/04 602/32
2010/0222729	A1 *	9/2010	Chin	.....	A61F 5/04 602/32

2014/0188027	A1 *	7/2014	Jaber	.....	A61F 5/042 602/36
2016/0015549	A1 *	1/2016	Thomas	.....	A61H 1/0296 602/36
2016/0151193	A1 *	6/2016	Thomas	.....	A61H 1/0296 602/36

**OTHER PUBLICATIONS**

Amazon. Head Relief Hammock for Neck Shoulder Pain, Portable Cervical Traction and Relaxation Device w/Hammock Stand—Suitable for Office Staff, Drivers. Jun. 11, 2019. <https://amzn.to/3li13K5> (Year: 2019).\*

\* cited by examiner

*Primary Examiner* — Darcey E Gottschalk

(74) *Attorney, Agent, or Firm* — W&K IP

(57) **CLAIM**

The ornamental design for a portable cervical traction device, as shown and described.

**DESCRIPTION**

FIG. 1 is a perspective view of a portable cervical traction device showing my new design;

FIG. 2 is a front view thereof;

FIG. 3 is a rear view thereof;

FIG. 4 is a left side view thereof;

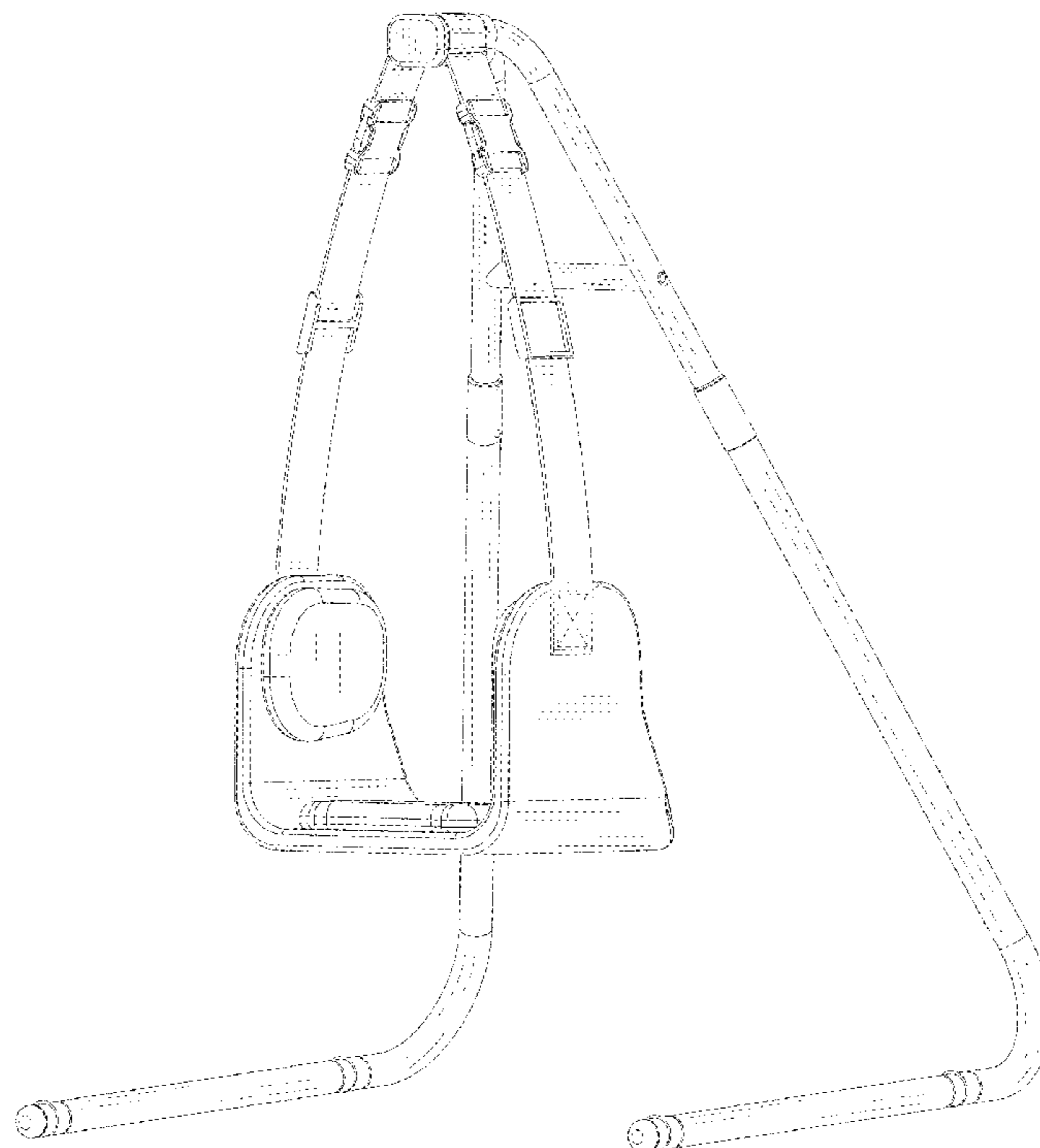
FIG. 5 is a right side view thereof;

FIG. 6 is a top plan view thereof; and,

FIG. 7 is a bottom plan view thereof.

The dashed or broken lines shown in the drawings depict portions of the portable cervical traction device in which the design is embodied that form no part of the claimed design.

**1 Claim, 7 Drawing Sheets**



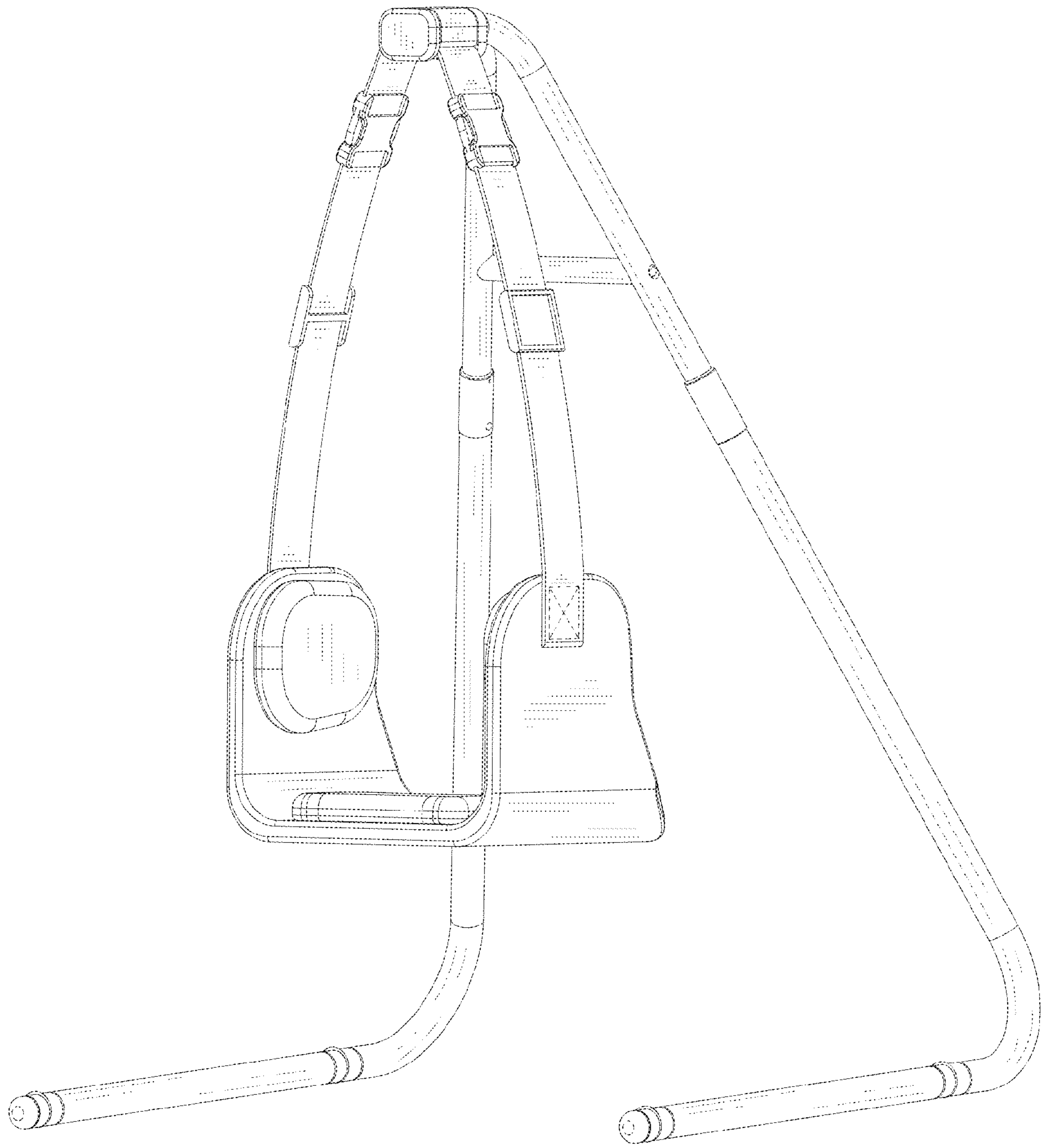


FIG.1

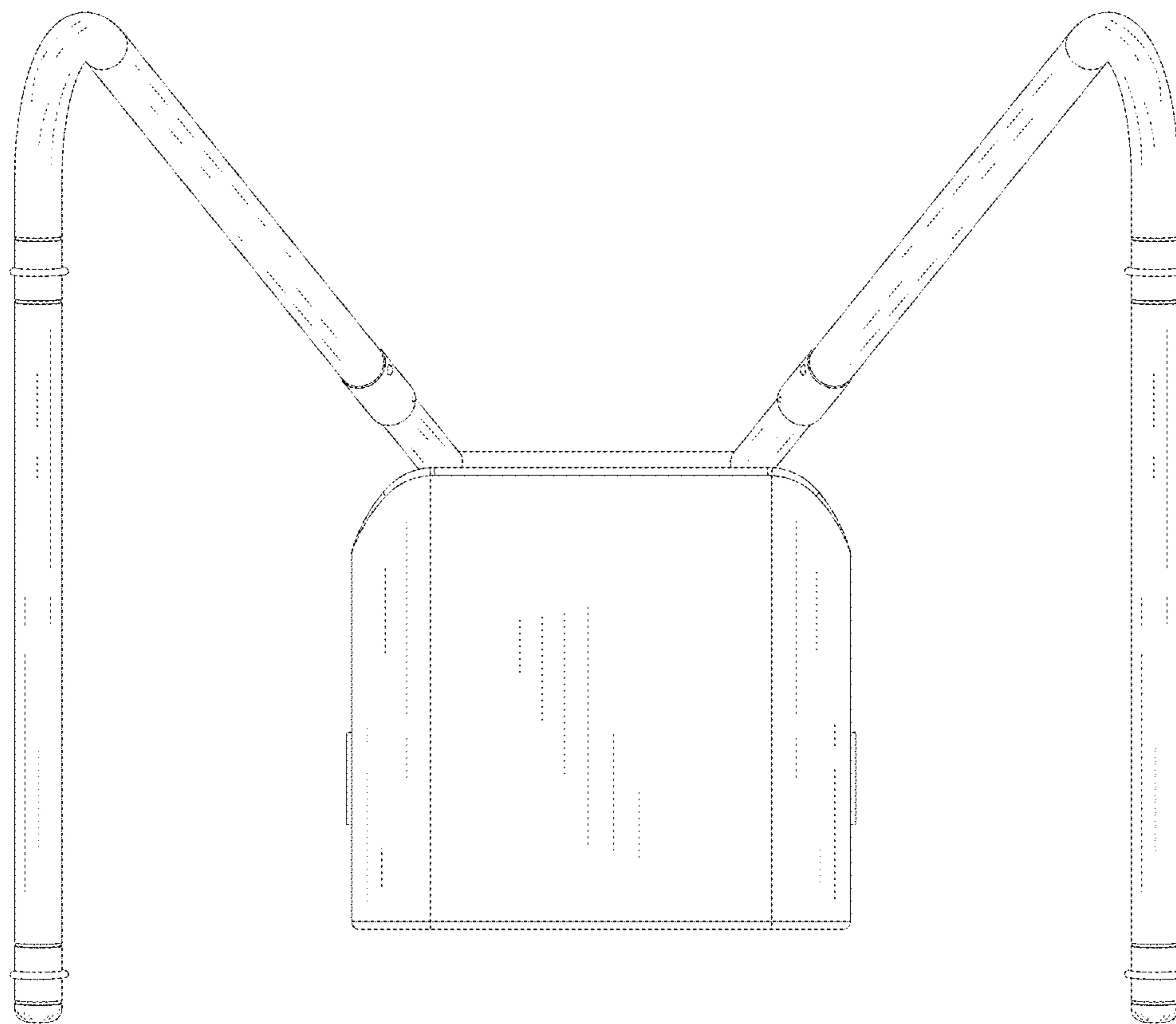


FIG. 2

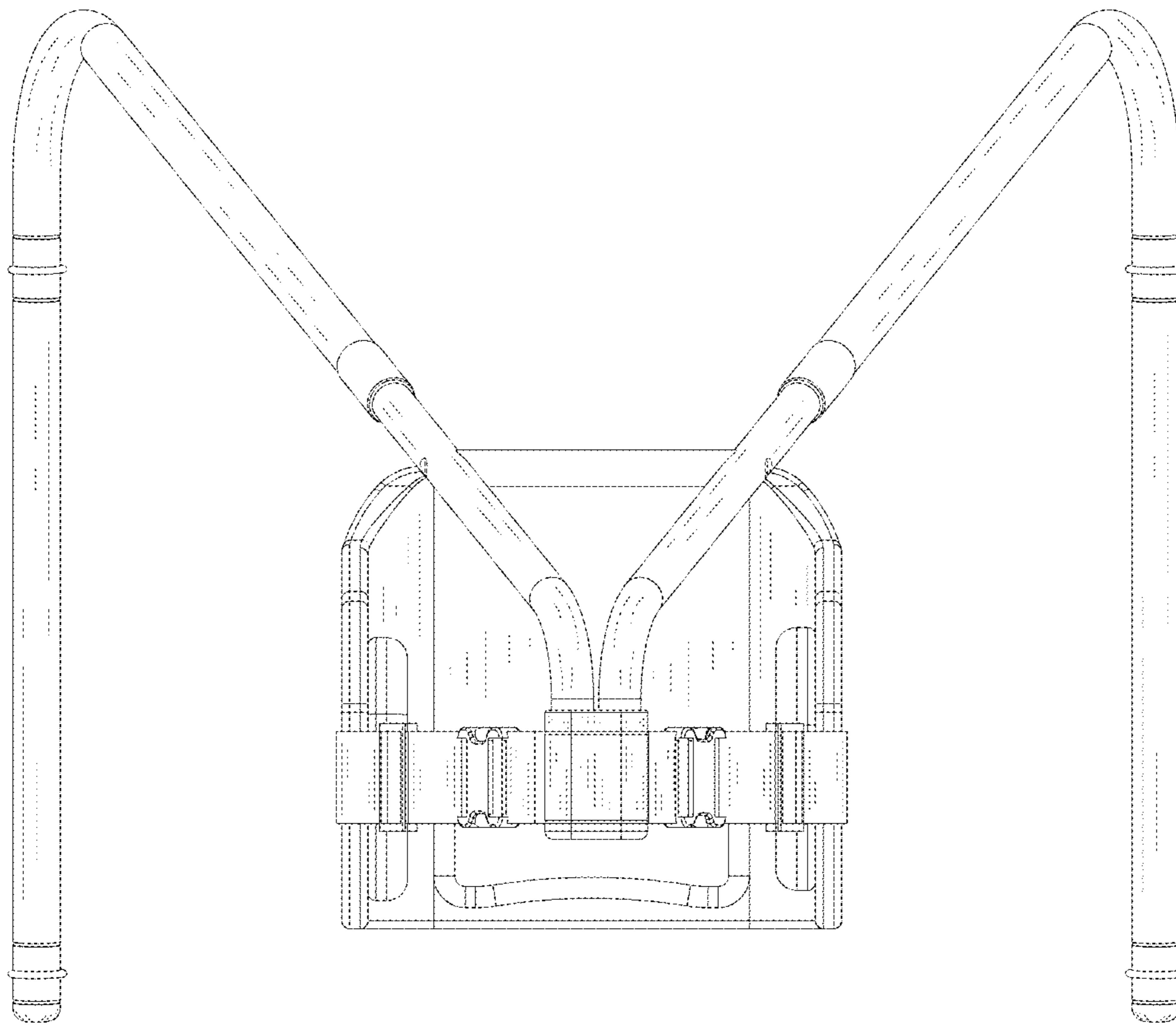


FIG.3

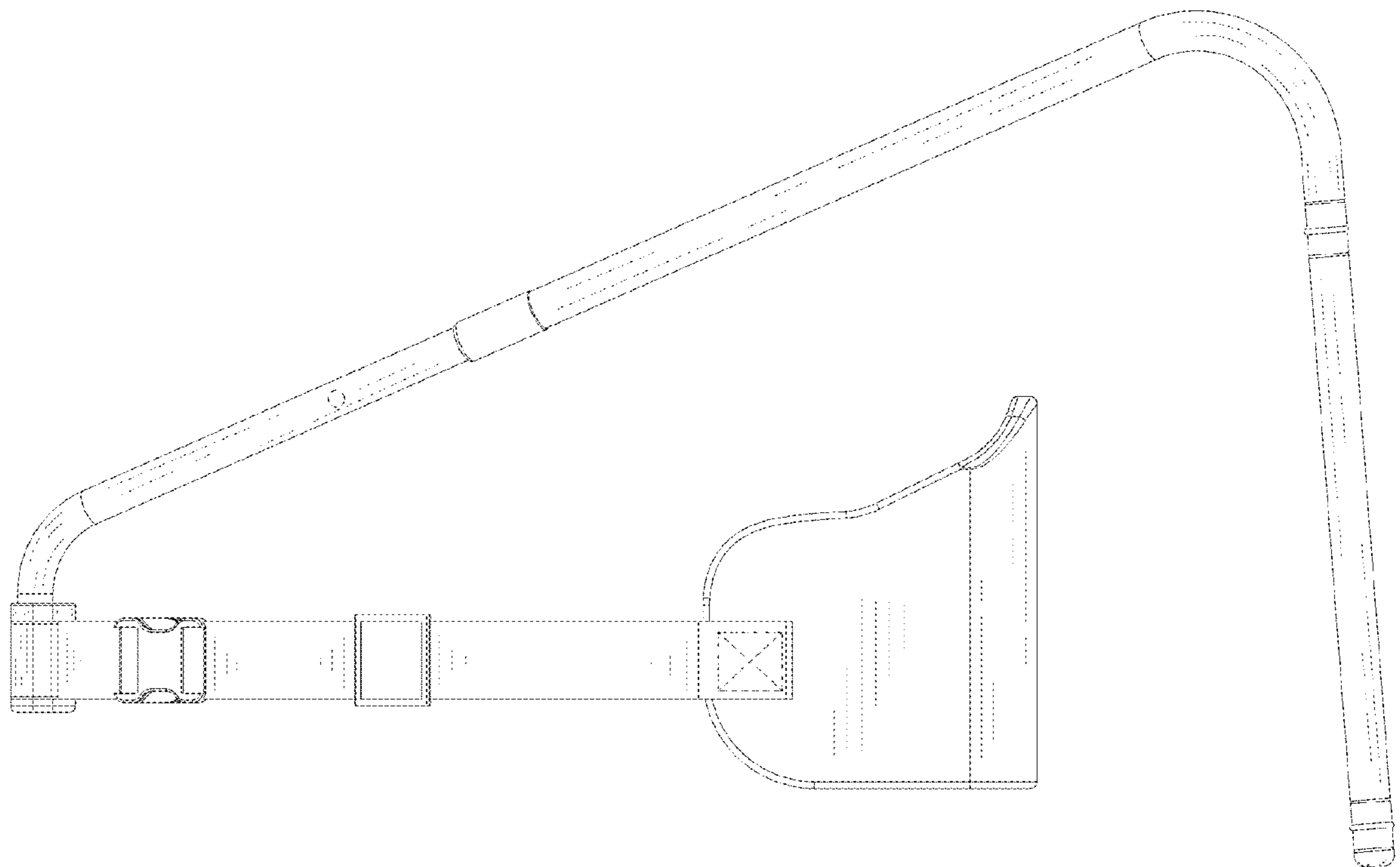


FIG. 4

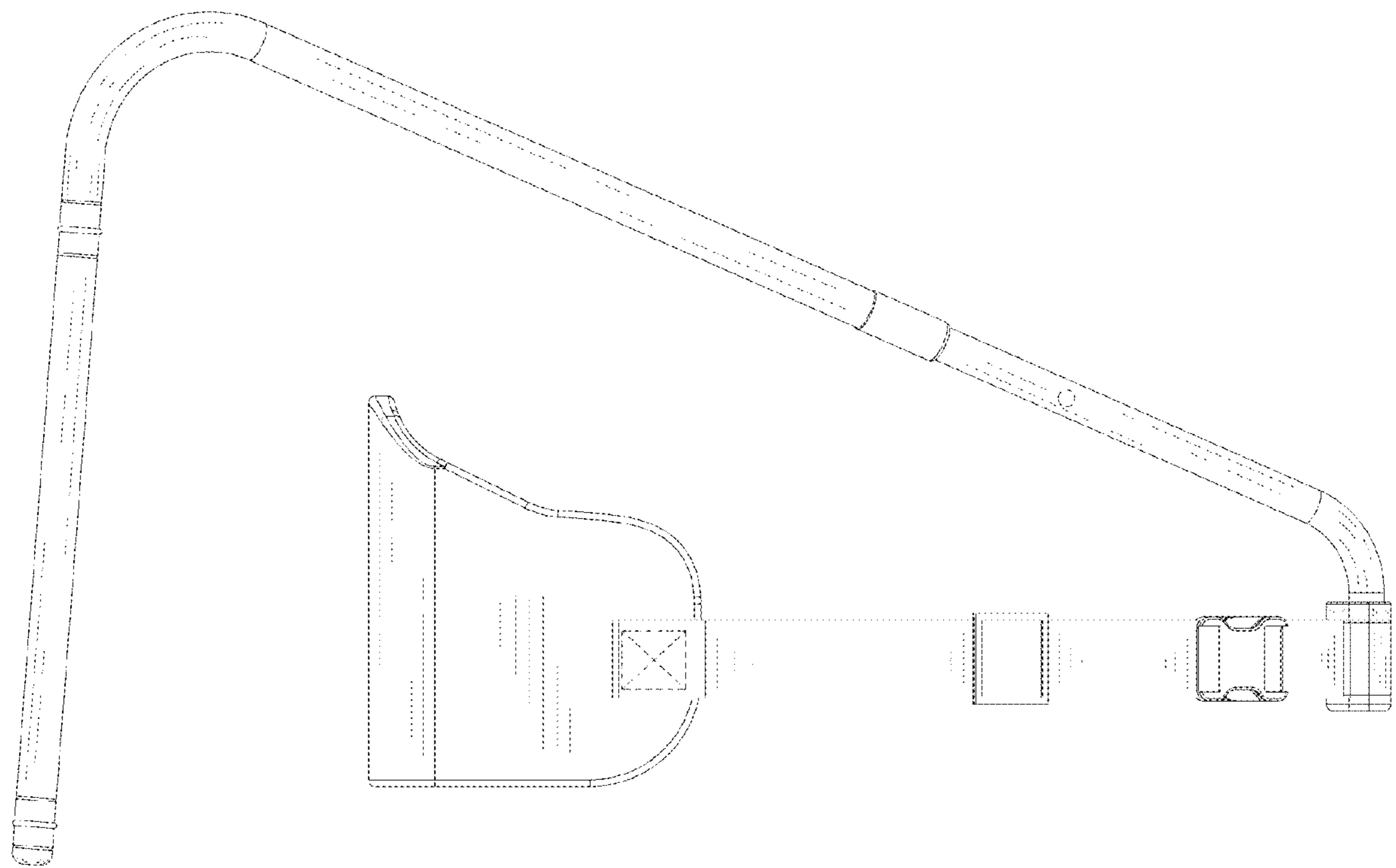


FIG.5

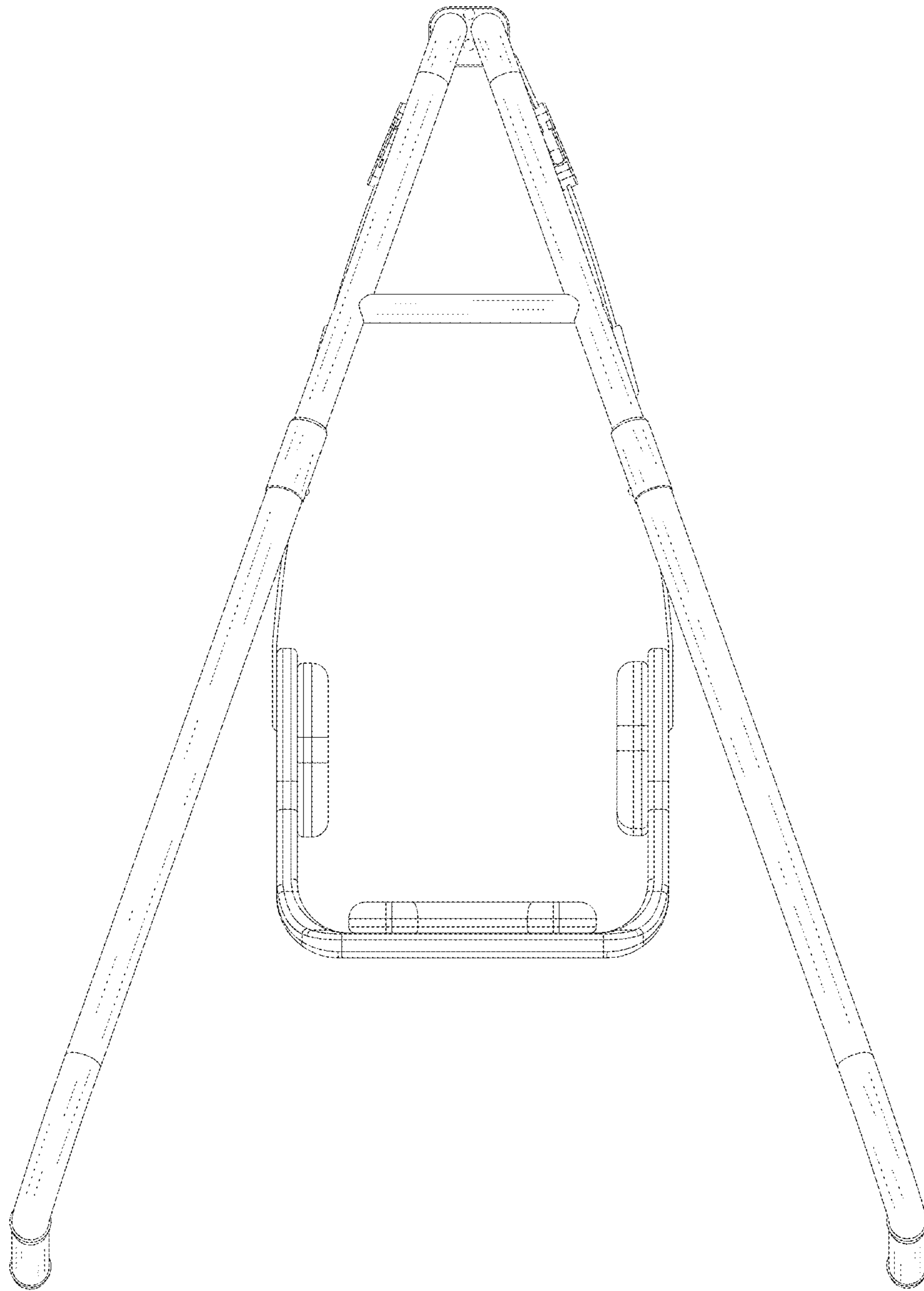


FIG. 6

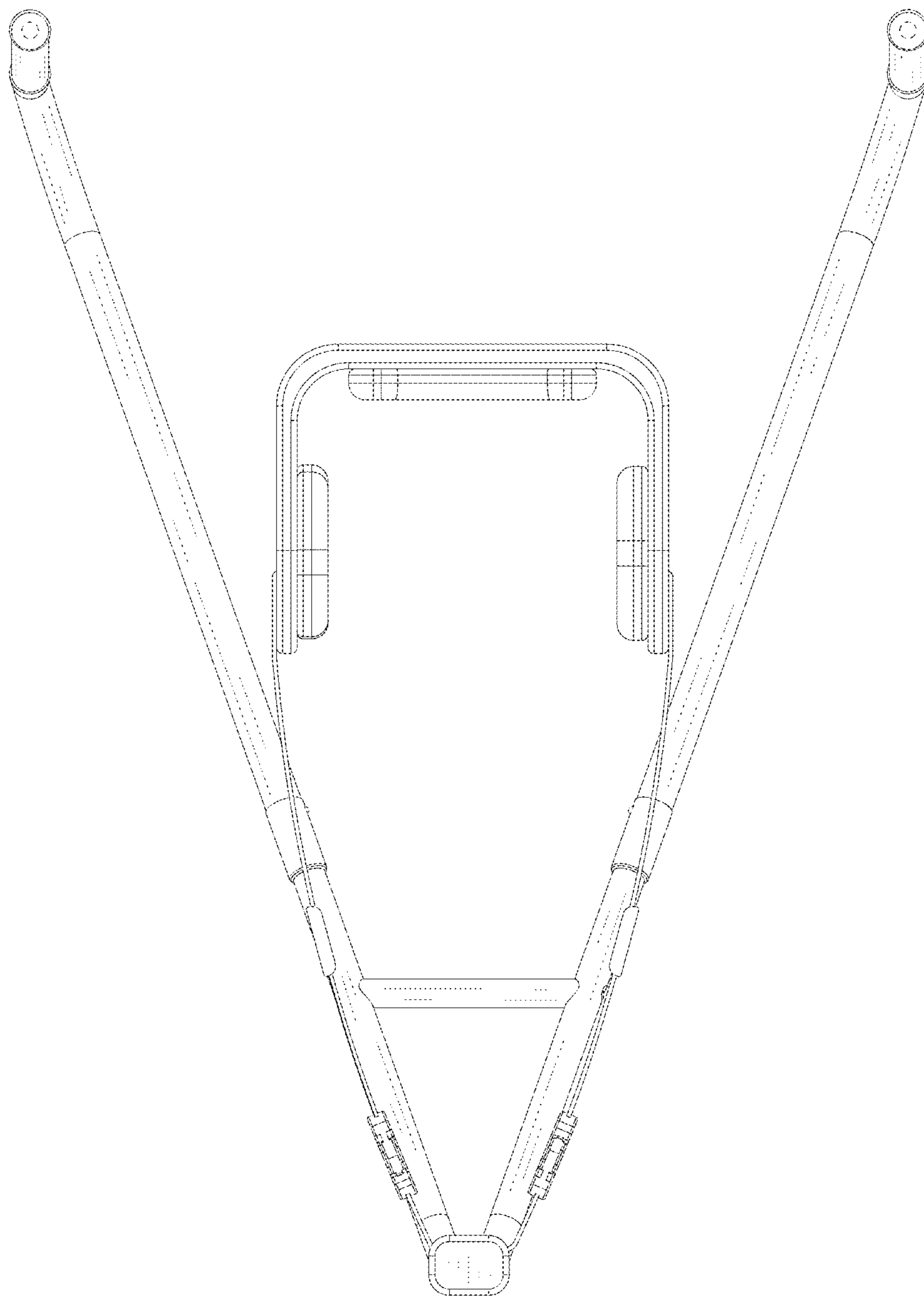


FIG. 7