



US00D940887S

(12) **United States Design Patent** (10) **Patent No.:** **US D940,887 S**
Fourroux (45) **Date of Patent:** **** Jan. 11, 2022**

(54) **FOAM INSERT FOR RESIDUAL LIMB CASTING**

OTHER PUBLICATIONS

(71) Applicant: **Marvin R Fourroux**, Orange Beach, AL (US)

Fourroux psosthetics, Twitter, [Post Date May 28, 2021], [Post seen Oct. 20, 2021], Seen at URL: <https://twitter.com/FourrouxPro/status/1398300650048573442> (Year: 2021).*

(72) Inventor: **Marvin R Fourroux**, Orange Beach, AL (US)

Primary Examiner — Natasha Vujcic
Assistant Examiner — Gilbert B Ford

(**) Term: **15 Years**

(74) *Attorney, Agent, or Firm* — Collaborative IP; Paul J Ditmyer

(21) Appl. No.: **29/735,091**

(22) Filed: **May 18, 2020**

(57) **CLAIM**

(51) **LOC (13) Cl.** **24-02**

I claim, the ornamental design for a foam insert for residual limb casting, as shown and described.

(52) **U.S. Cl.**
USPC **D24/190; D24/155**

(58) **Field of Classification Search**
USPC D24/188–190, 155
CPC A61F 2/80; A61F 2/50; A61F 2/78; B29C 64/188; B29C 64/40
See application file for complete search history.

DESCRIPTION

(56) **References Cited**

U.S. PATENT DOCUMENTS

6,030,418	A *	2/2000	Biedermann	A61F 2/80	623/33
6,149,690	A *	11/2000	Belzidsky	A61F 2/7812	623/32
7,118,602	B2 *	10/2006	Bjarnason	A61F 2/7812	623/32
7,655,049	B2 *	2/2010	Phillips	A61F 2/7843	623/37
D723,163	S *	2/2015	Gottlieb	D24/155	
D745,161	S *	12/2015	Wanner	D24/155	
D746,461	S *	12/2015	Butler	D24/155	
D895,264	S *	9/2020	Manning	D2/980	
10,878,137	B2 *	12/2020	Alley	G06F 30/00	
2005/0149202	A1 *	7/2005	Schaffer	A61F 2/5046	623/36
2007/0061017	A1 *	3/2007	Wilson	A61F 2/78	623/36
2008/0269914	A1 *	10/2008	Coppens	A61F 2/5046	623/33

FIG. 1 is a top perspective view of a foam insert for residual limb casting showing the claimed design.

FIG. 2 is a front view of the foam insert for residual limb casting illustrated in FIG. 1.

FIG. 3 is a rear view of the foam insert for residual limb casting illustrated in FIG. 1.

FIG. 4 is a right side view of the foam insert for residual limb casting illustrated in FIG. 1.

FIG. 5 is a left side view of the foam insert for residual limb casting illustrated in FIG. 1.

FIG. 6 is a top view of the foam insert for residual limb casting illustrated in FIG. 1.

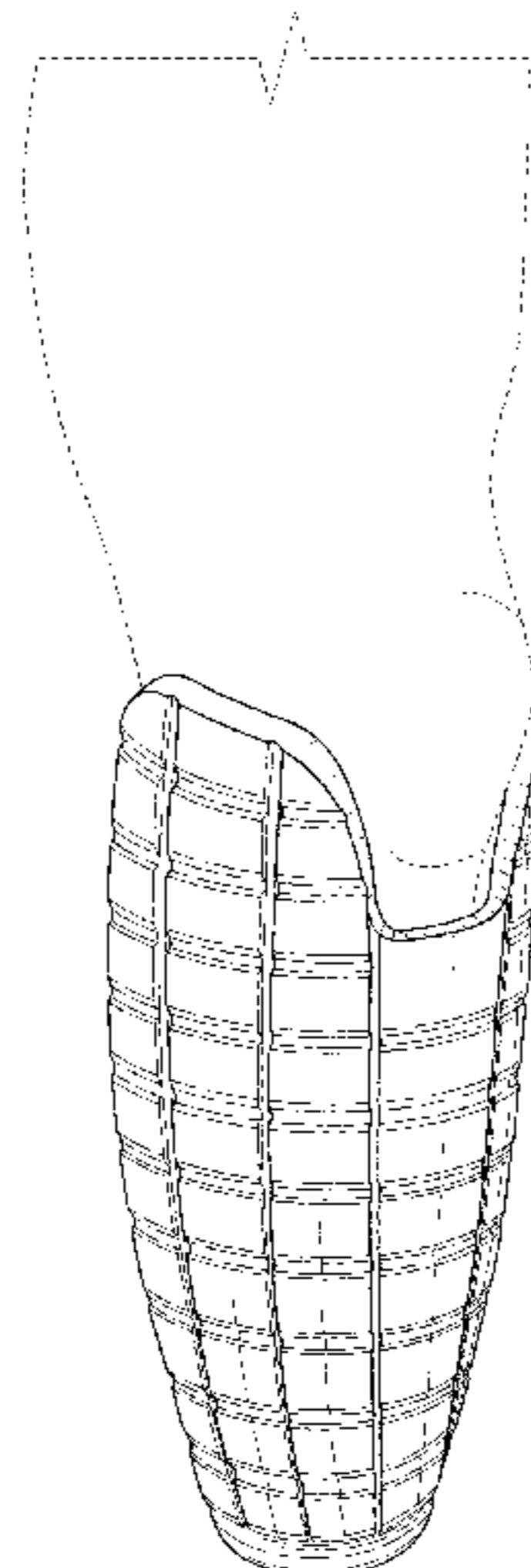
FIG. 7 is a bottom view of the foam insert for residual limb casting illustrated in FIG. 1; and,

FIG. 8 is another perspective view of the foam insert for residual limb casting of FIG. 1 but in an intended environment receiving a residual leg.

The broken lines in the figures show portions of the foam insert that form no part of the claimed design.

(Continued)

1 Claim, 7 Drawing Sheets



(56)

References Cited

U.S. PATENT DOCUMENTS

2013/0338793 A1* 12/2013 Bernaquer, Jr. B29C 39/42
623/36
2014/0324191 A1* 10/2014 Gottlieb A61F 2/5046
623/33
2017/0209290 A1* 7/2017 Birgisdottir A61F 2/80
2017/0290685 A1* 10/2017 Montez A61F 2/5046
2018/0098865 A1* 4/2018 Mojica A61F 2/7812
2018/0235783 A1* 8/2018 Sacherer A61F 2/76
2019/0298547 A1* 10/2019 Wood A61F 2/583
2021/0113356 A1* 4/2021 Laszczak A61F 2/80
2021/0145613 A1* 5/2021 Anderson B33Y 80/00
2021/0315717 A1* 10/2021 Fourroux A61F 2/7812

* cited by examiner

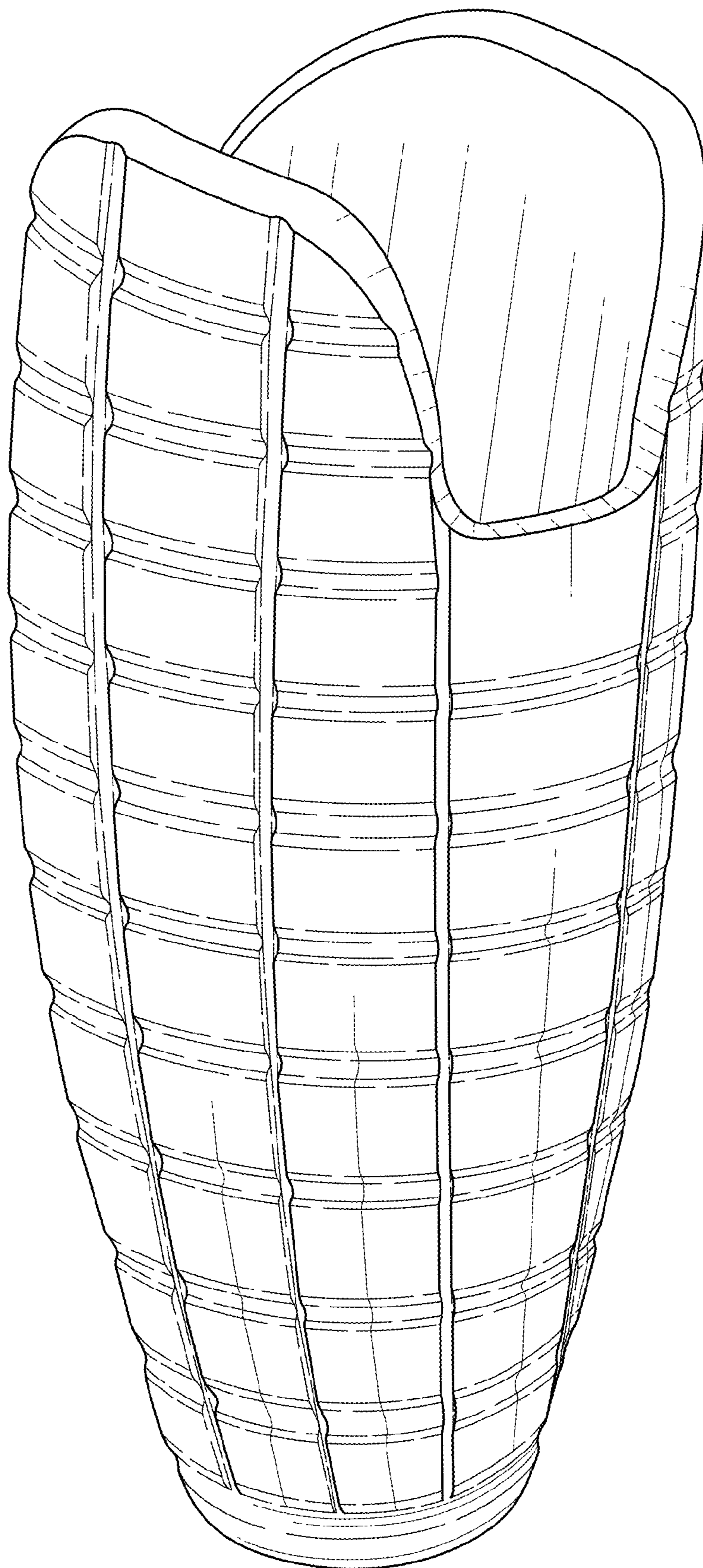


FIG. 1

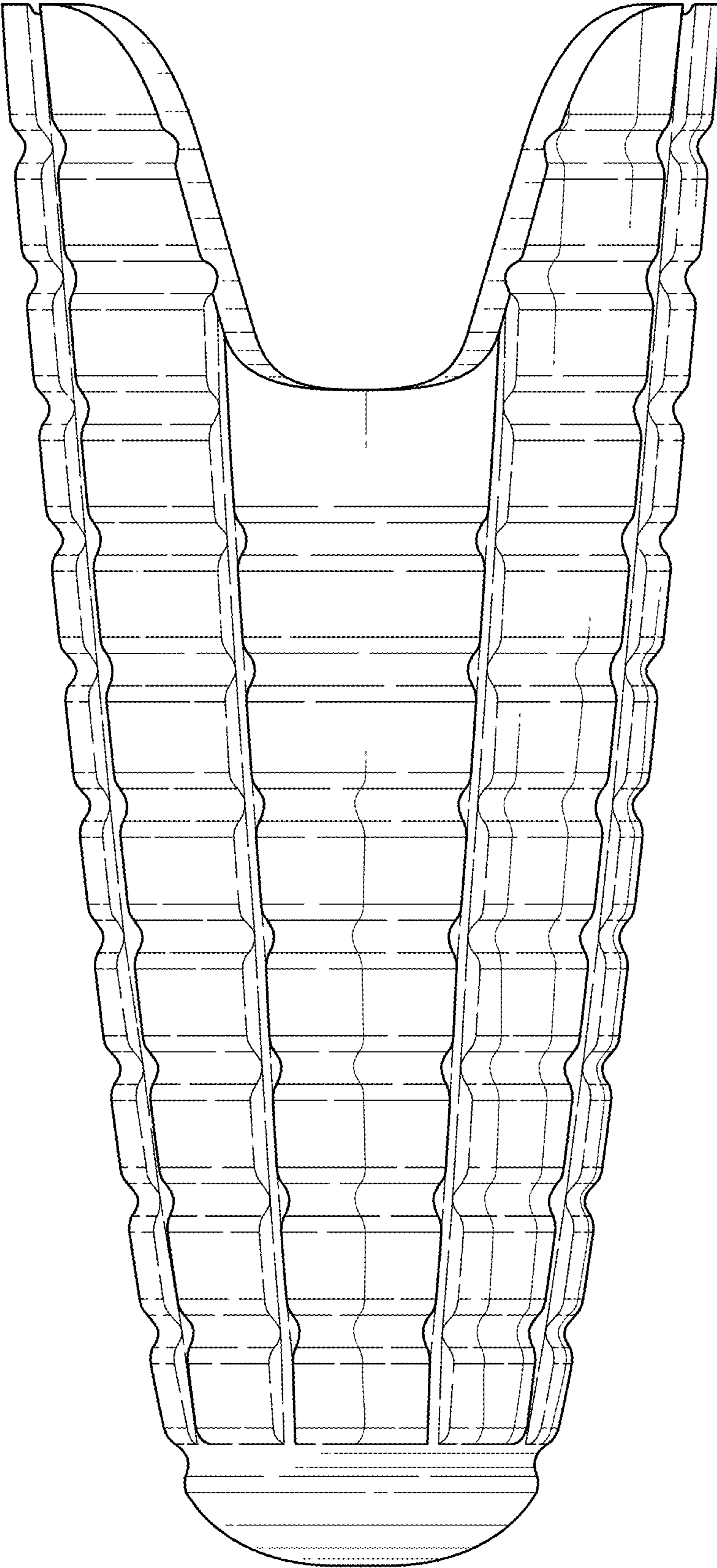


FIG. 2

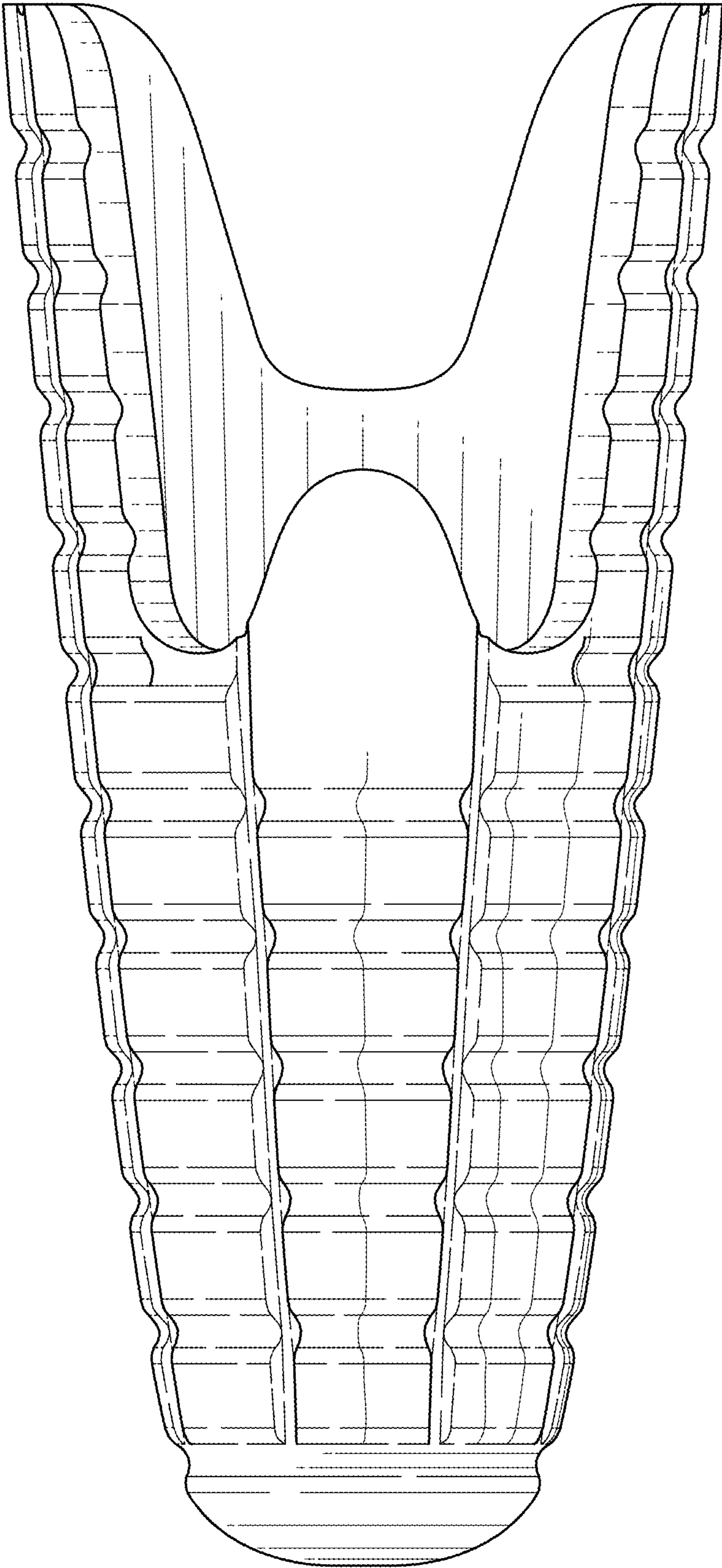


FIG. 3

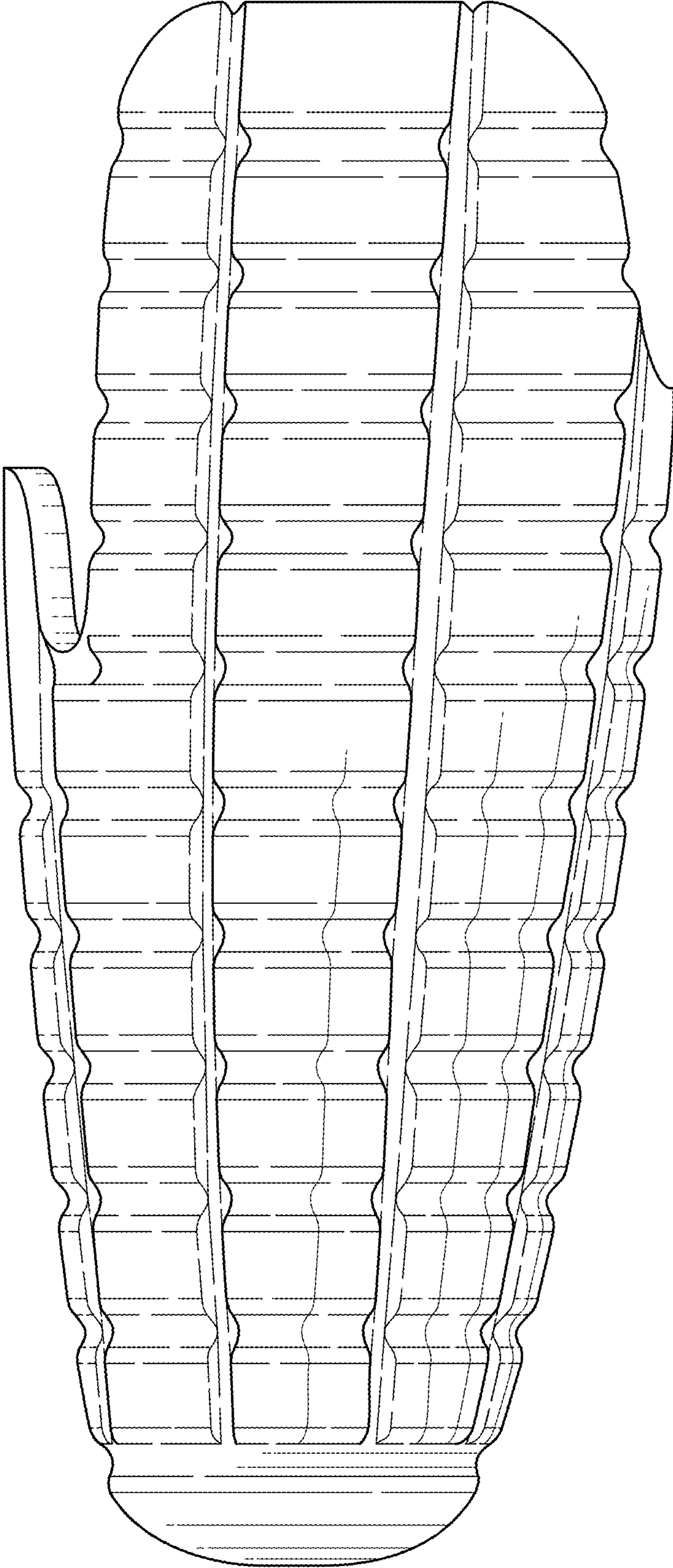


FIG. 4

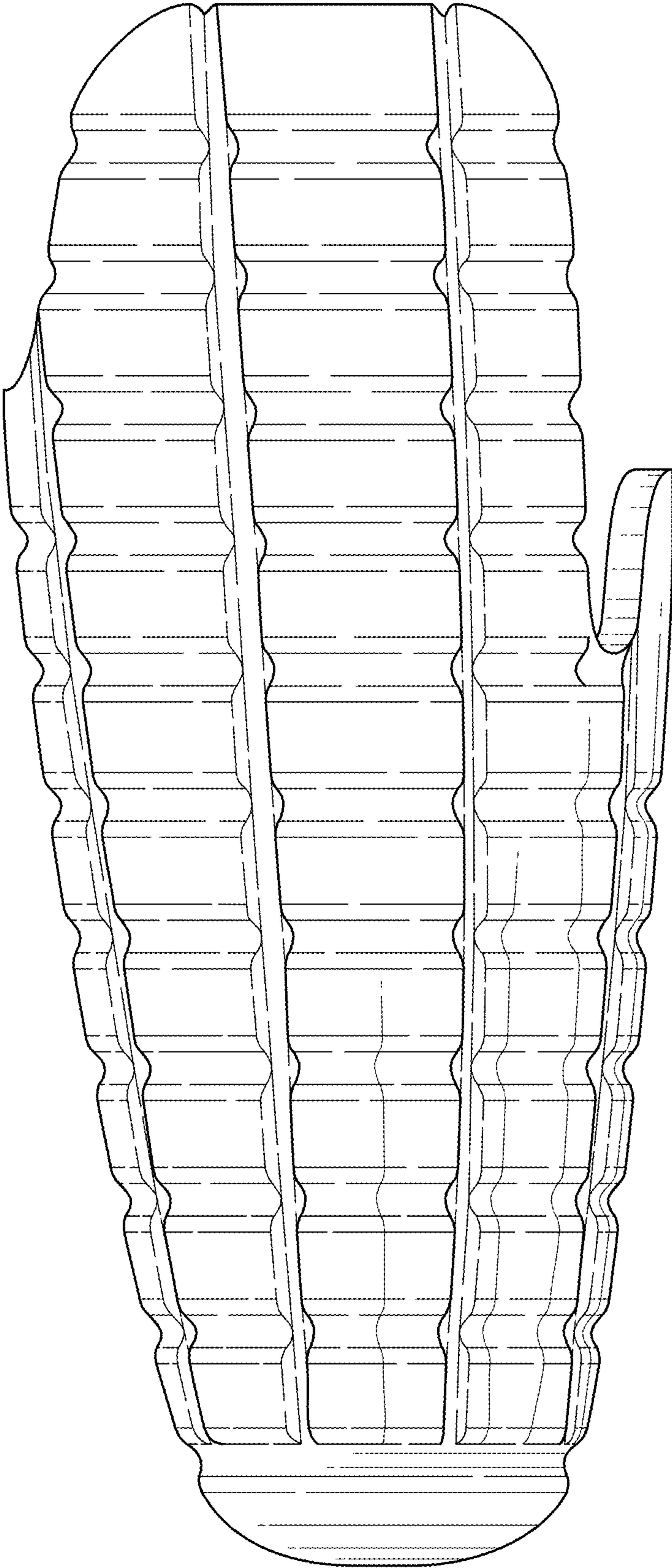


FIG. 5

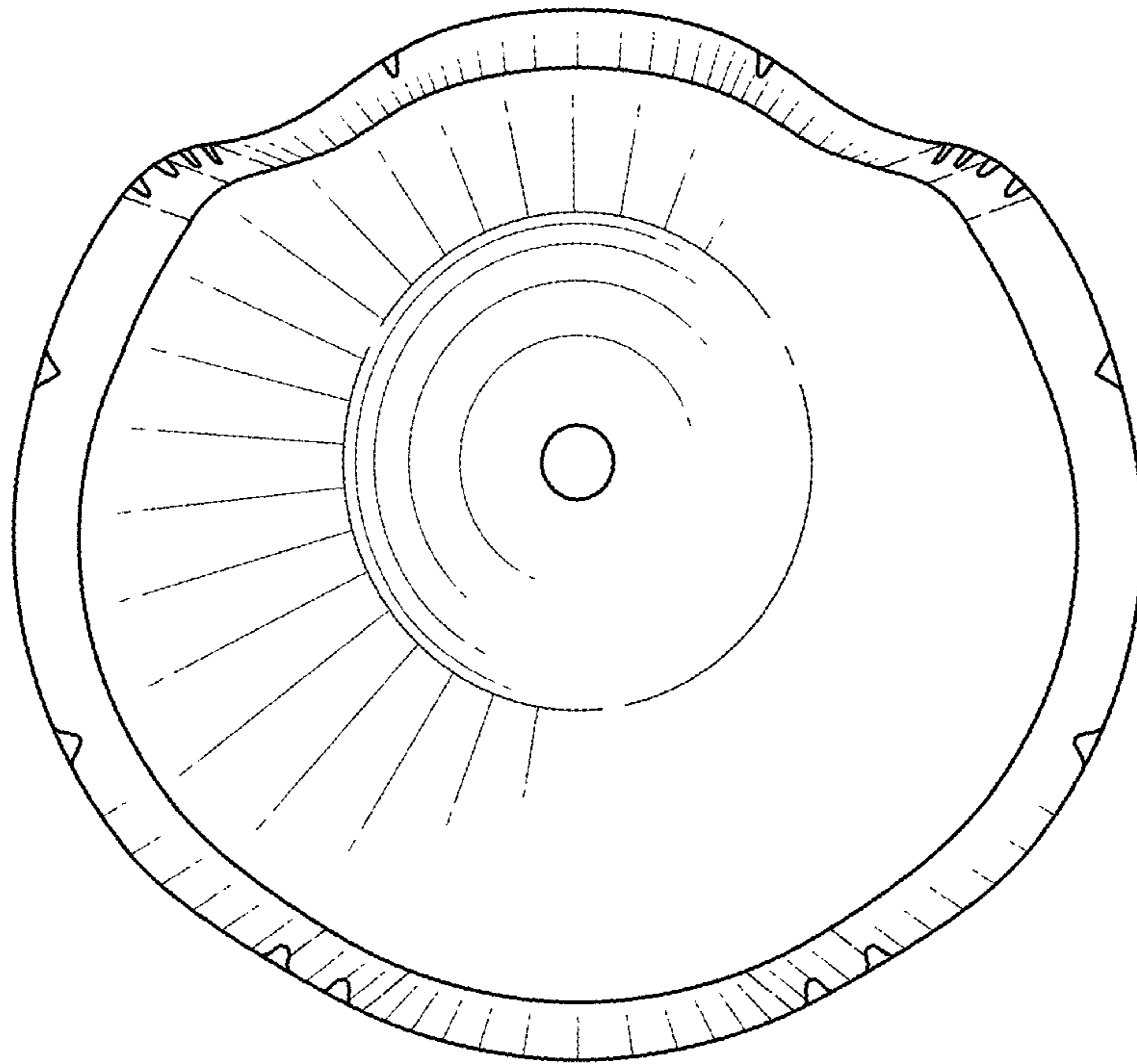


FIG. 6

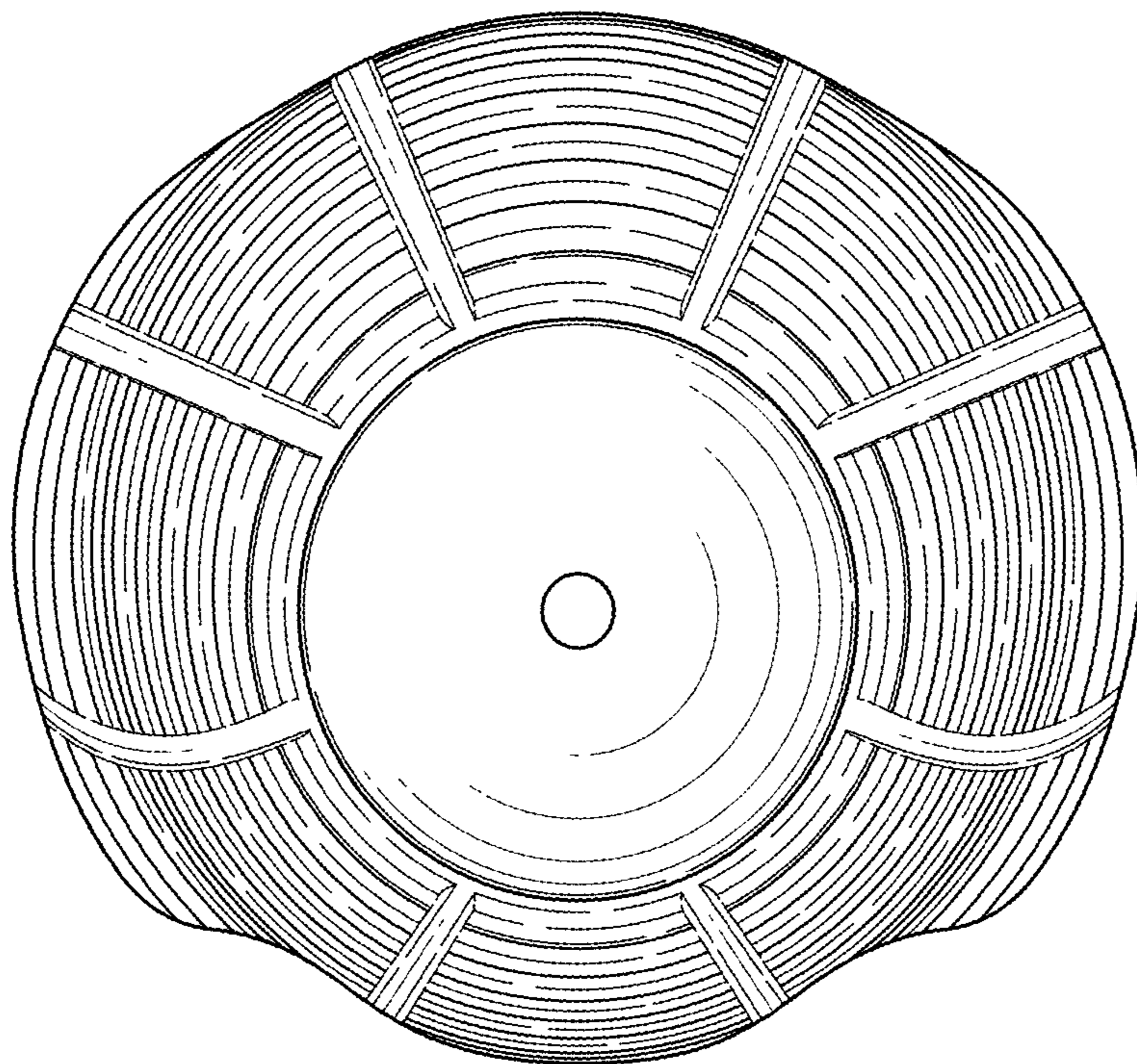


FIG. 7

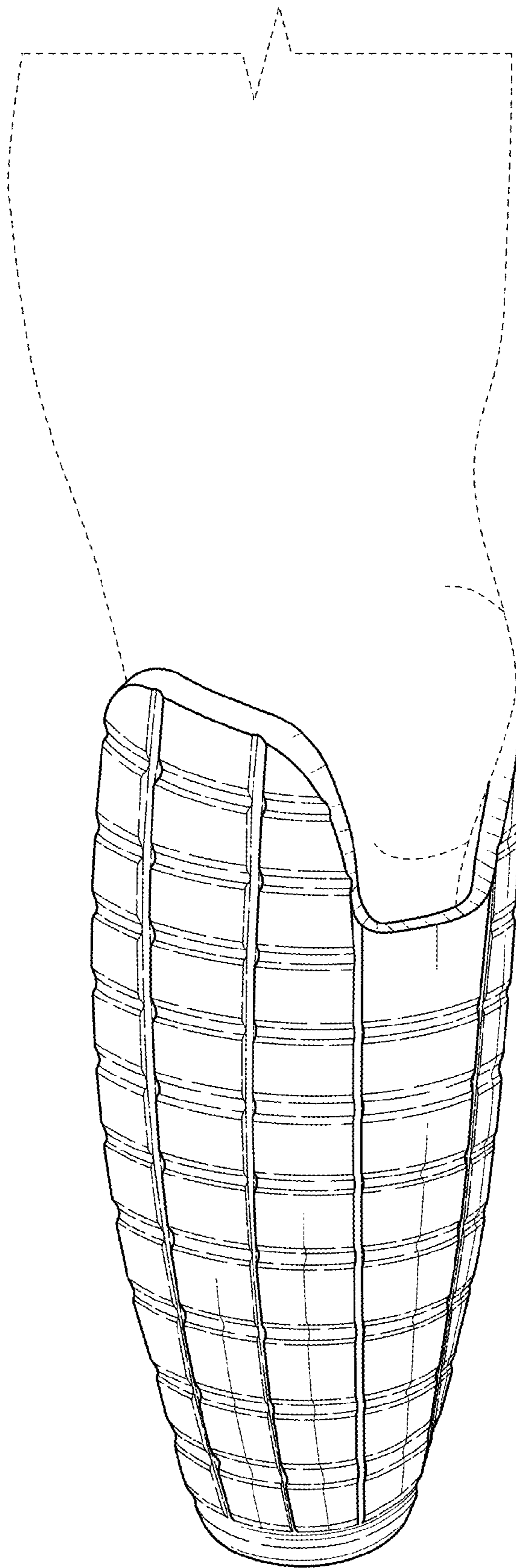


FIG. 8