



US00D940883S

(12) **United States Design Patent**  
**Fox et al.**

(10) **Patent No.:** **US D940,883 S**  
(45) **Date of Patent:** **\*\* Jan. 11, 2022**

(54) **TELEMEDICINE CAREGIVER ROBOT**

(71) Applicant: **X-Tend Robotics Inc.**, Middleburg, FL (US)

(72) Inventors: **Harry Fox**, Jerusalem (IL); **David Azoulay**, Jerusalem (IL)

(73) Assignee: **X-Tend Robotics Inc.**, Middleburg, FL (US)

(\*\*) Term: **15 Years**

(21) Appl. No.: **29/794,491**

(22) Filed: **Jun. 13, 2021**

(51) **LOC (13) Cl.** ..... **24-02**

(52) **U.S. Cl.**  
USPC ..... **D24/186; D15/199**

(58) **Field of Classification Search**  
USPC ..... D15/199; D19/59-60; D21/621-622,  
D21/418; D24/186; D34/34  
(Continued)

(56) **References Cited**

**U.S. PATENT DOCUMENTS**

D723,538 S \* 3/2015 Catoe ..... D14/307  
D732,096 S \* 6/2015 Jang ..... D15/199  
(Continued)

**FOREIGN PATENT DOCUMENTS**

CN 306383333 \* 3/2021  
CN 306488667 \* 4/2021  
(Continued)

**OTHER PUBLICATIONS**

X-Tend Robotics at BizLabs Startup Showcase: Cohort #3, Youtube, [post date Feb. 3, 2021], [Site visited Aug. 18, 2021], seen at URL: <https://www.youtube.com/watch?v=kZUeTIM5CKI> (Year: 2021).\*

(Continued)

*Primary Examiner* — Natasha Vujcic  
*Assistant Examiner* — Gilbert B Ford

(74) *Attorney, Agent, or Firm* — Heidi Brun Associates Ltd.

(57) **CLAIM**

We claim the ornamental design for a telemedicine caregiver robot, as shown and described.

**DESCRIPTION**

FIG. 1 is a front perspective view of a telemedicine caregiver robot according to a first embodiment of my new design;

FIG. 2 is a front view of the robot according to a first embodiment of my new design;

FIG. 3 is a rear view of the robot according to a first embodiment of my new design

FIG. 4 is a right-side view of the robot according to a first embodiment of my new design, the left side being a mirror image thereof;

FIG. 5 is a top view of the robot according to a first embodiment of my new design;

FIG. 6 is a bottom view of the robot according to a first embodiment of my new design;

FIG. 7 is a rear perspective view of the robot according to a first embodiment of my new design;

FIG. 8 is a front perspective view of a telemedicine caregiver robot according to a second embodiment of my new design;

FIG. 9 is a front view of a robot according to a second embodiment of my new design;

FIG. 10 is a rear view of a robot according to a second embodiment of my new design;

FIG. 11 is a right-side view of a robot according to a second embodiment of my new design, the left side being a mirror image thereof;

FIG. 12 is a top view of a robot according to a second embodiment of my new design;

FIG. 13 is a bottom view of a robot according to a second embodiment of my new design;

FIG. 14 is a rear perspective view of a robot according to a second embodiment of my new design;

(Continued)

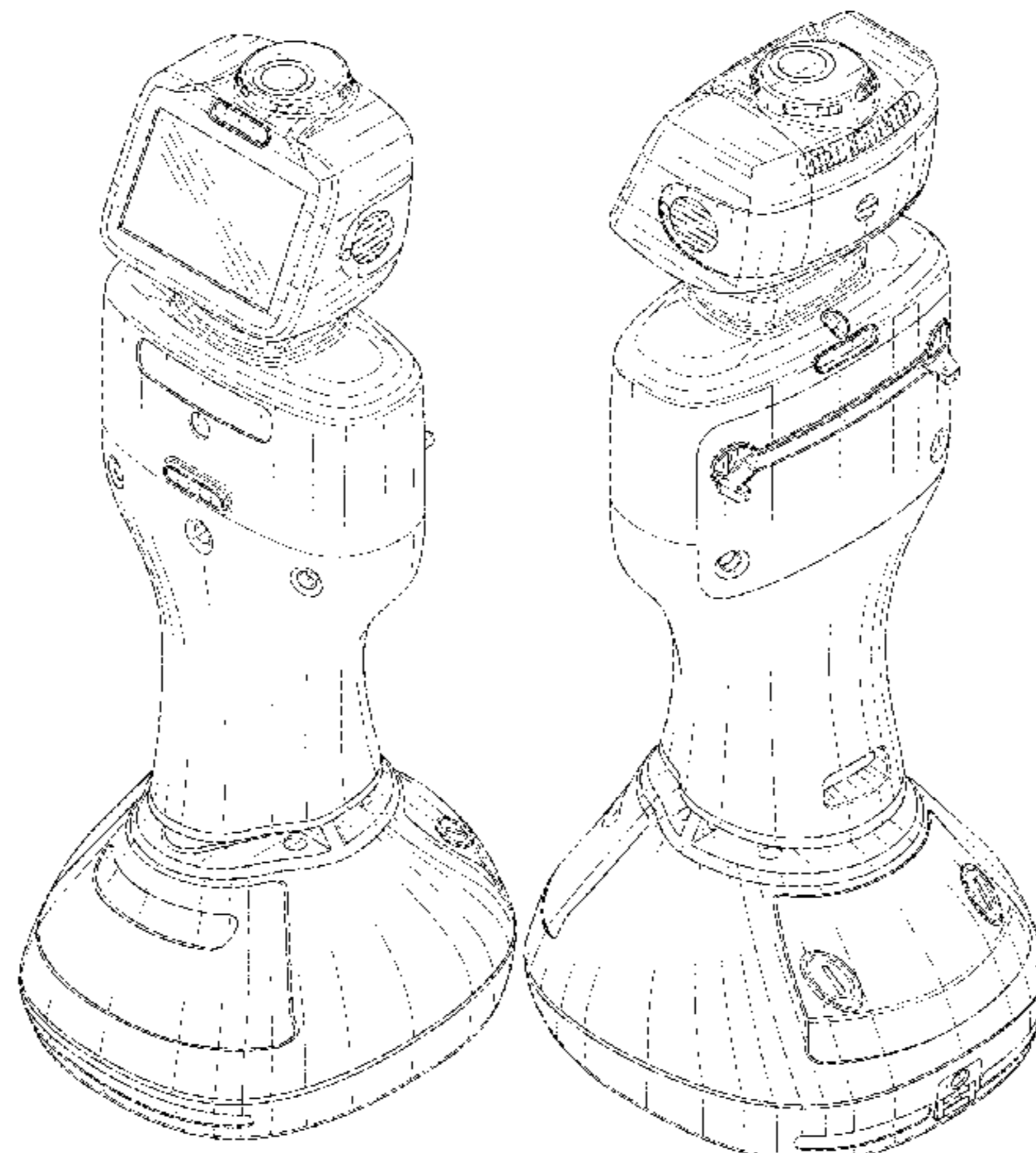


FIG. 15 is a front perspective view of a telemedicine caregiver robot in accordance with a third embodiment of my new design;

FIG. 16 is a front view of a robot according to a third embodiment of my new design;

FIG. 17 is a rear view of a robot according to a third embodiment of my new design;

FIG. 18 is a right-side view of a robot according to a third embodiment of my new design, the left side being a mirror image thereof;

FIG. 19 is a top view of a robot according to a third embodiment of my new design;

FIG. 20 is a bottom view of a robot according to a third embodiment of my new design; and,

FIG. 21 is a rear perspective view of a robot according to a third embodiment of my new design.

**1 Claim, 20 Drawing Sheets**

(58) **Field of Classification Search**

CPC ..... G05D 1/00; Y10S 901/01  
See application file for complete search history.

(56) **References Cited**

U.S. PATENT DOCUMENTS

D810,800 S \* 2/2018 Wang ..... D15/199  
D811,458 S \* 2/2018 Wang ..... D15/199  
D829,250 S \* 9/2018 Zilbershtein ..... D15/199

D829,793 S \* 10/2018 Wang ..... D15/199  
D829,794 S \* 10/2018 Wang ..... D15/199  
D881,249 S \* 4/2020 Kim ..... D15/199  
D913,349 S \* 3/2021 Yao ..... D15/199  
D919,717 S \* 5/2021 Paul ..... D21/578  
D920,411 S \* 5/2021 Zheng ..... D15/199  
2012/0185096 A1\* 7/2012 Rosenstein ..... G05D 1/0274  
700/259  
2019/0248016 A1\* 8/2019 Deyle ..... G05D 1/0212  
2019/0381673 A1\* 12/2019 Lee ..... B25J 9/1666  
2020/0030963 A1\* 1/2020 Youn ..... B25J 9/0009  
2021/0080945 A1\* 3/2021 O'Sullivan ..... G06Q 10/08

FOREIGN PATENT DOCUMENTS

CN 306503787 \* 4/2021  
CN 306706081 \* 7/2021  
CN 306753428 \* 8/2021

OTHER PUBLICATIONS

The state of telepresence: Healthcare and telemedicine, Robohub.org, [Postdate Nov. 20, 2015], [Site visited Aug. 18, 2021], Seen at URL: <https://robohub.org/the-state-of-telepresence-healthcare-and-telemedicine/> (Year: 2015).\*

Tem: The Personal Robot, Youtube, [postdate Sep. 77, 2017], [Site visited Aug. 18, 2021], Seen at the URL: <https://www.youtube.com/watch?v=3bnGG4Xo0GE&t=12s> (Year: 2017).\*

Meet Tommy: A Robot Nurse Helping to Treat COVID-19 Patients in Italy, Youtube, [Post date Apr. 2, 2020], [Site visited Aug. 18, 2021], seen at URL: <https://www.youtube.com/watch?v=SH6iHhWeD-o> (Year: 2020).\*

\* cited by examiner

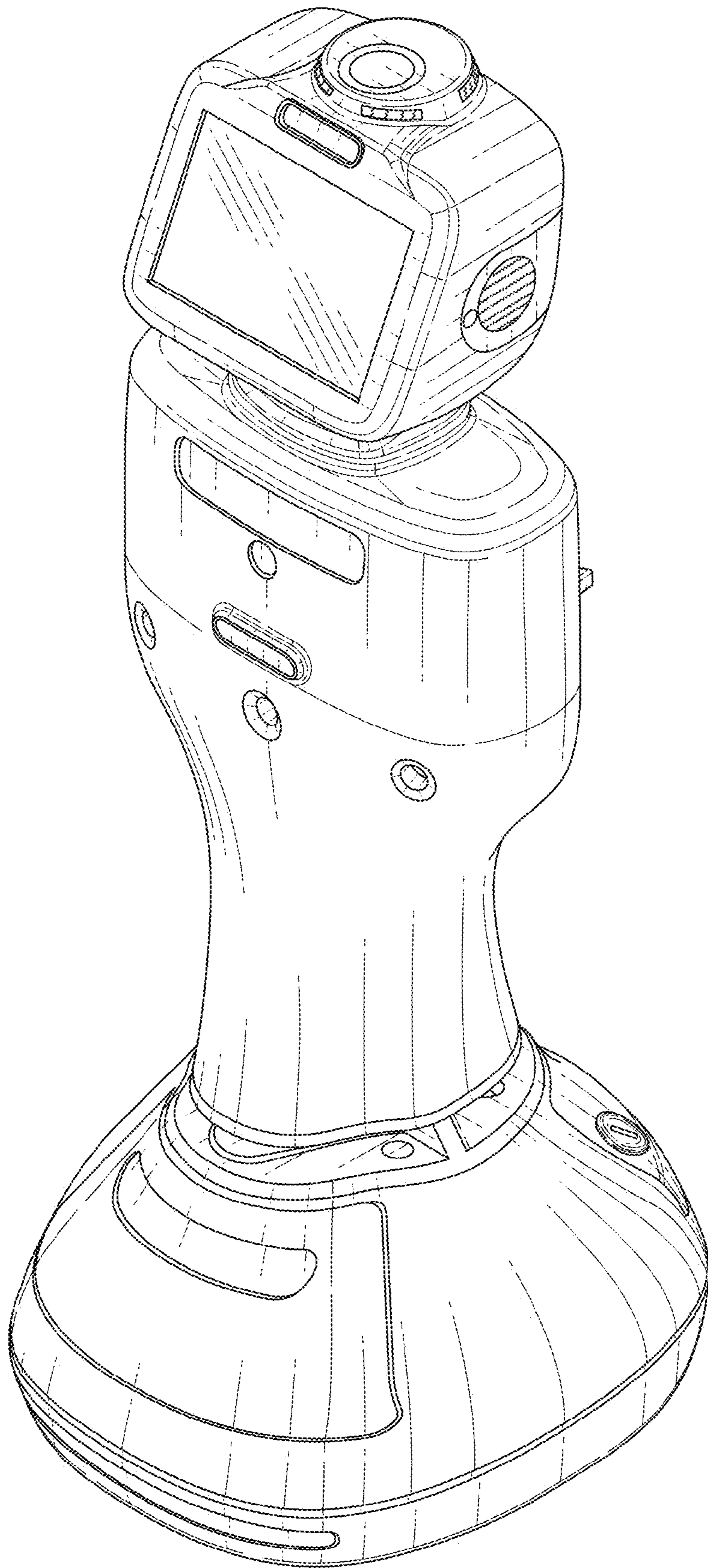


FIG. 1

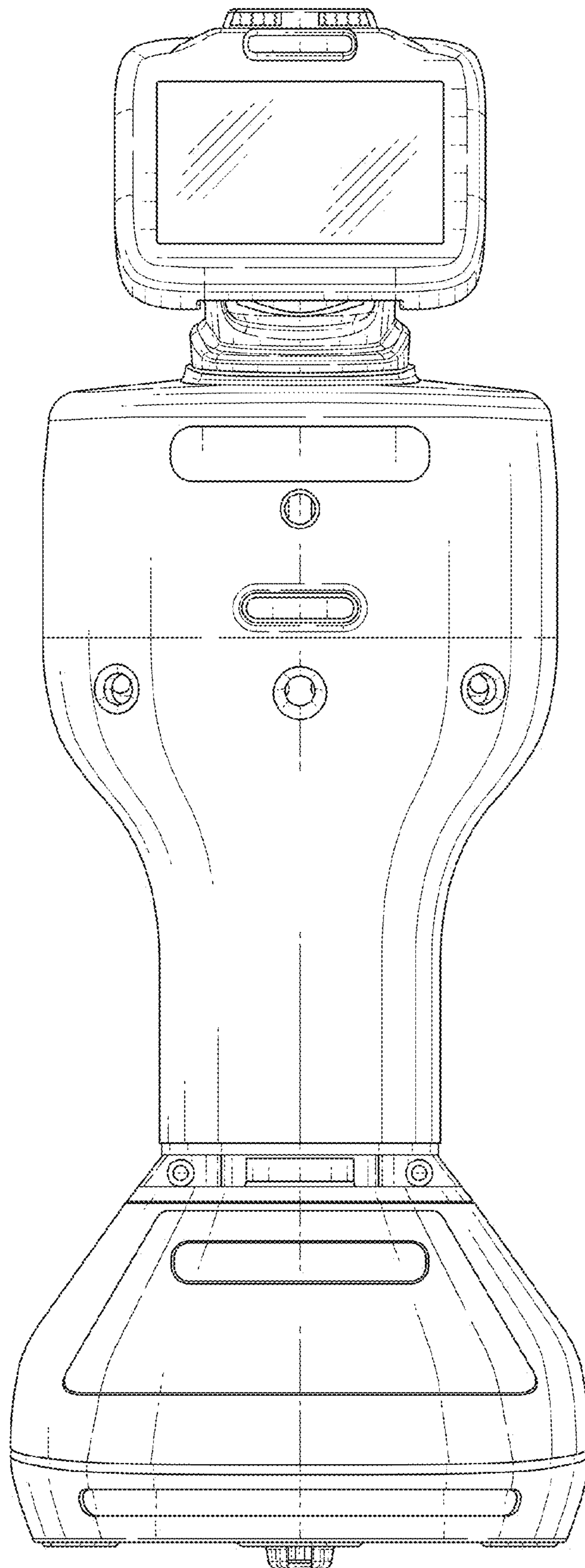


FIG. 2

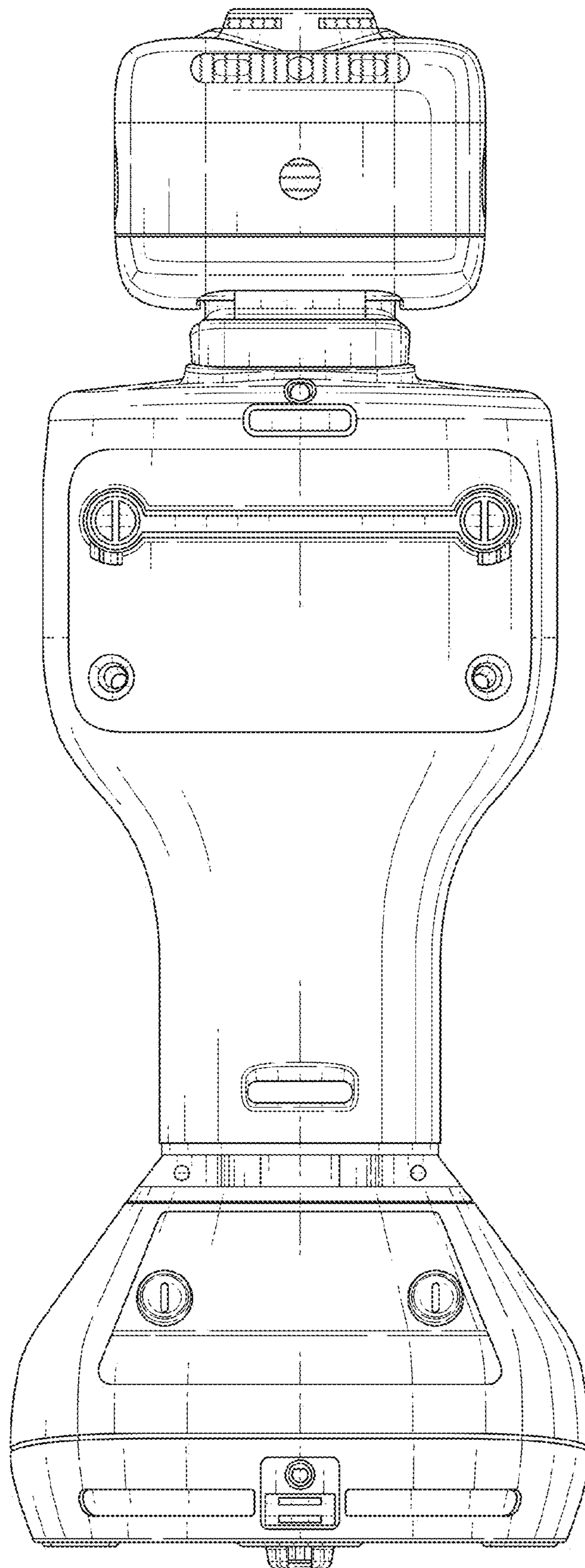


FIG. 3

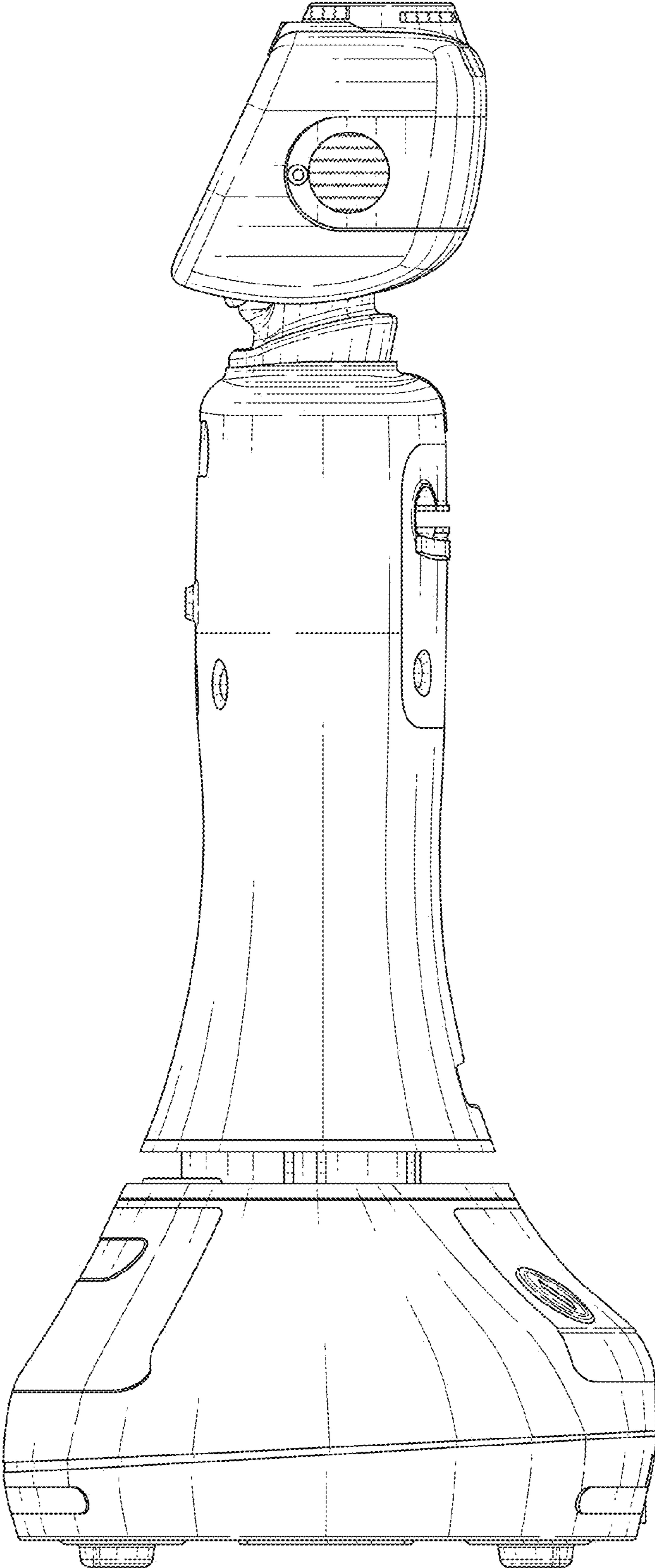


FIG. 4

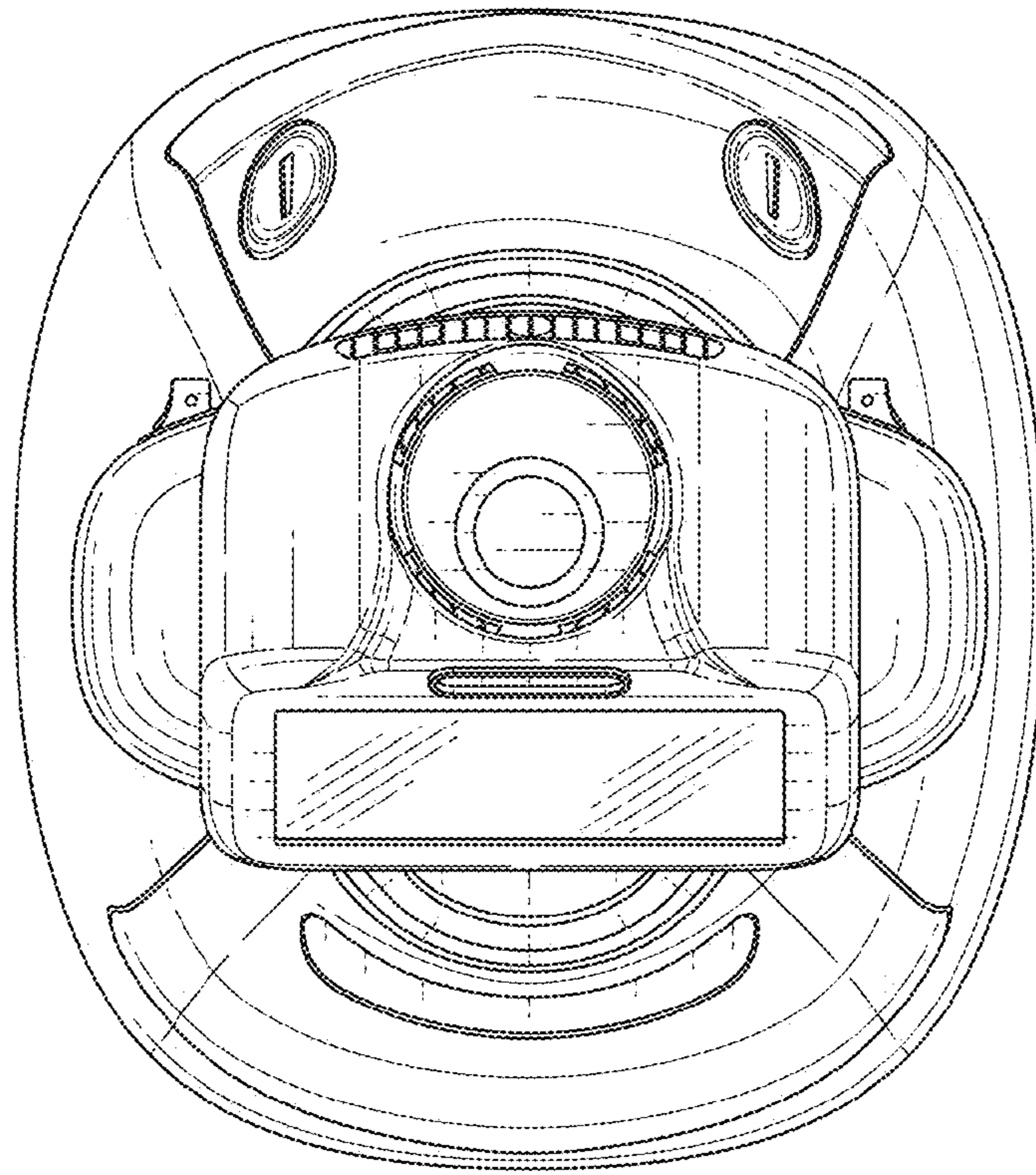


FIG. 5

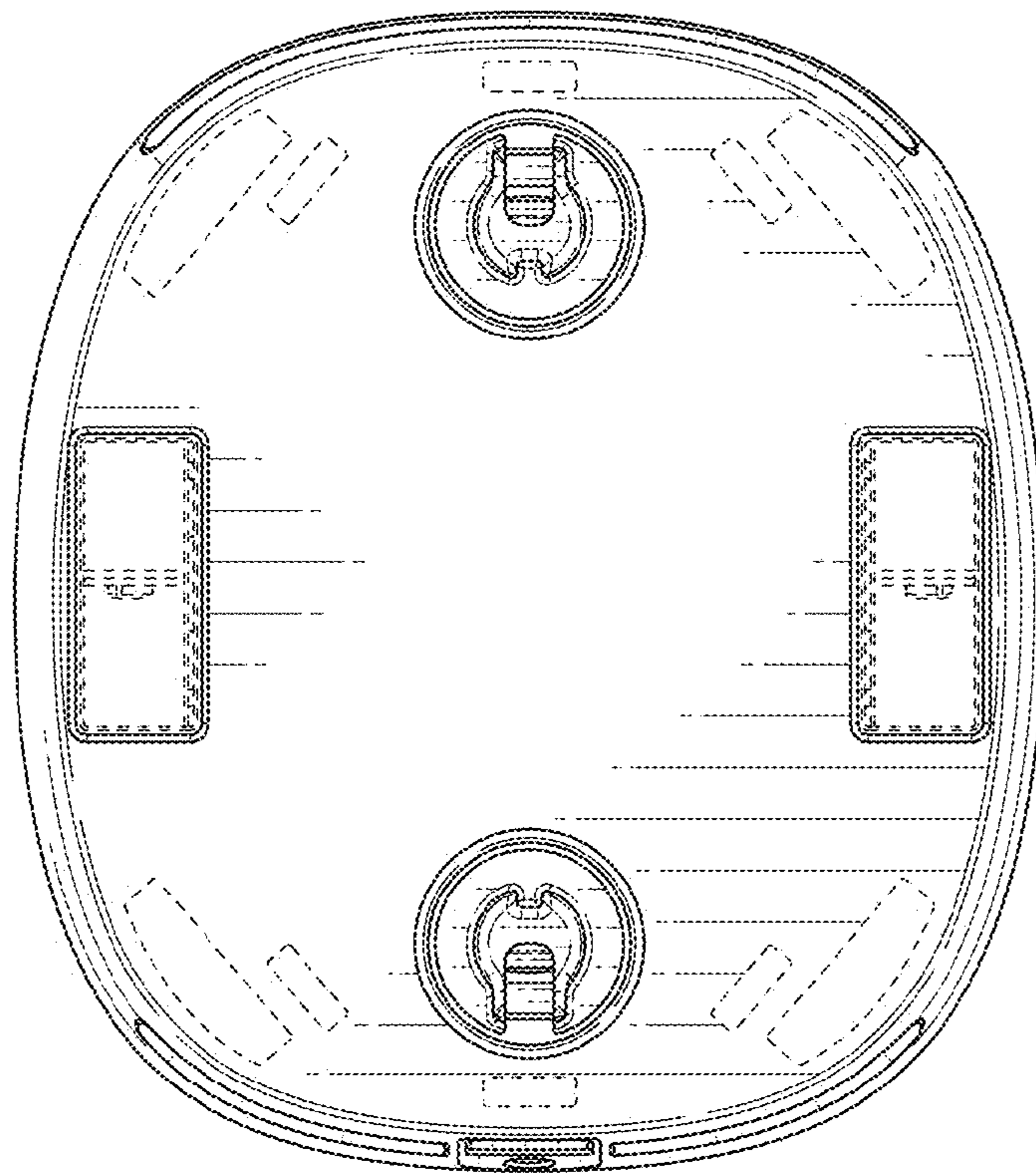


FIG. 6

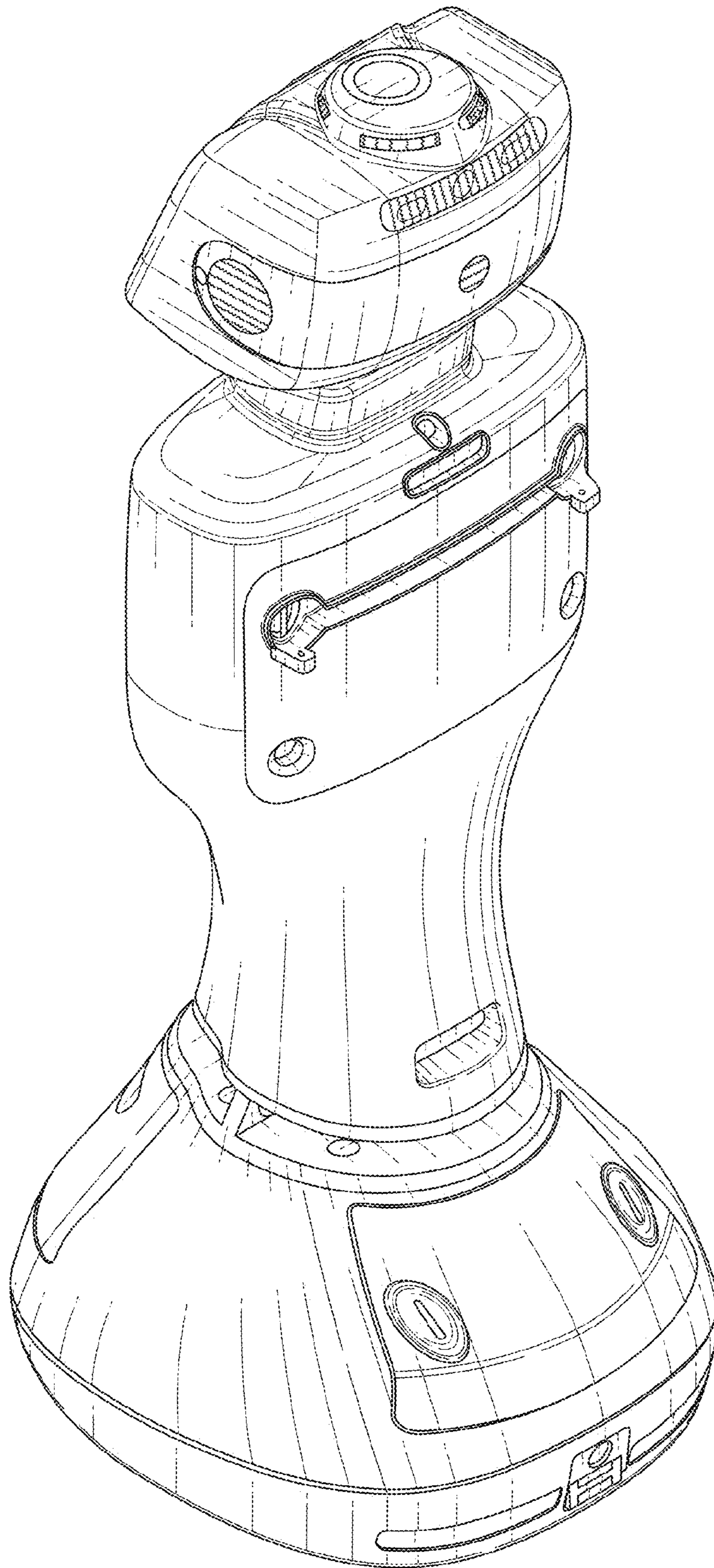


FIG. 7



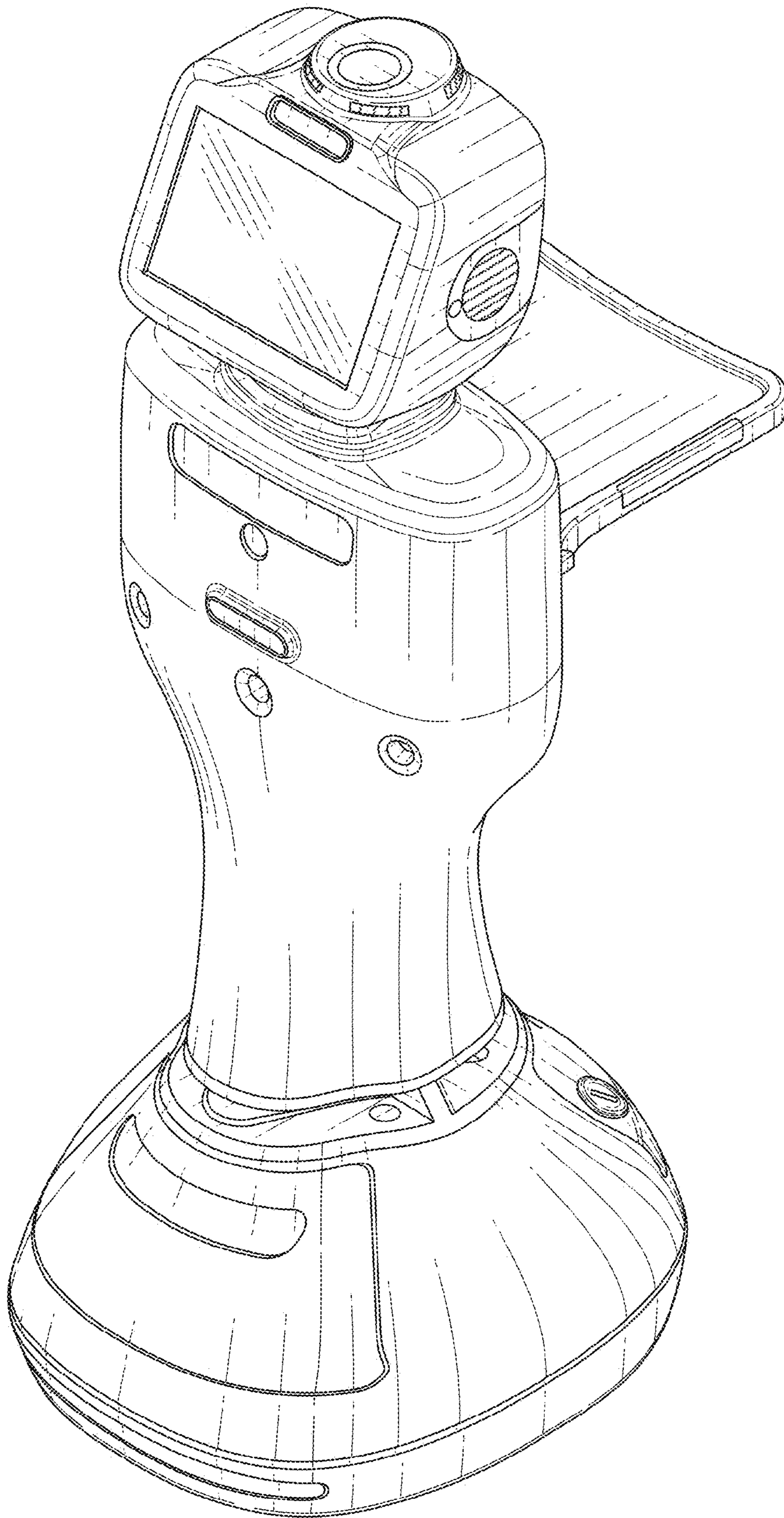


FIG. 8

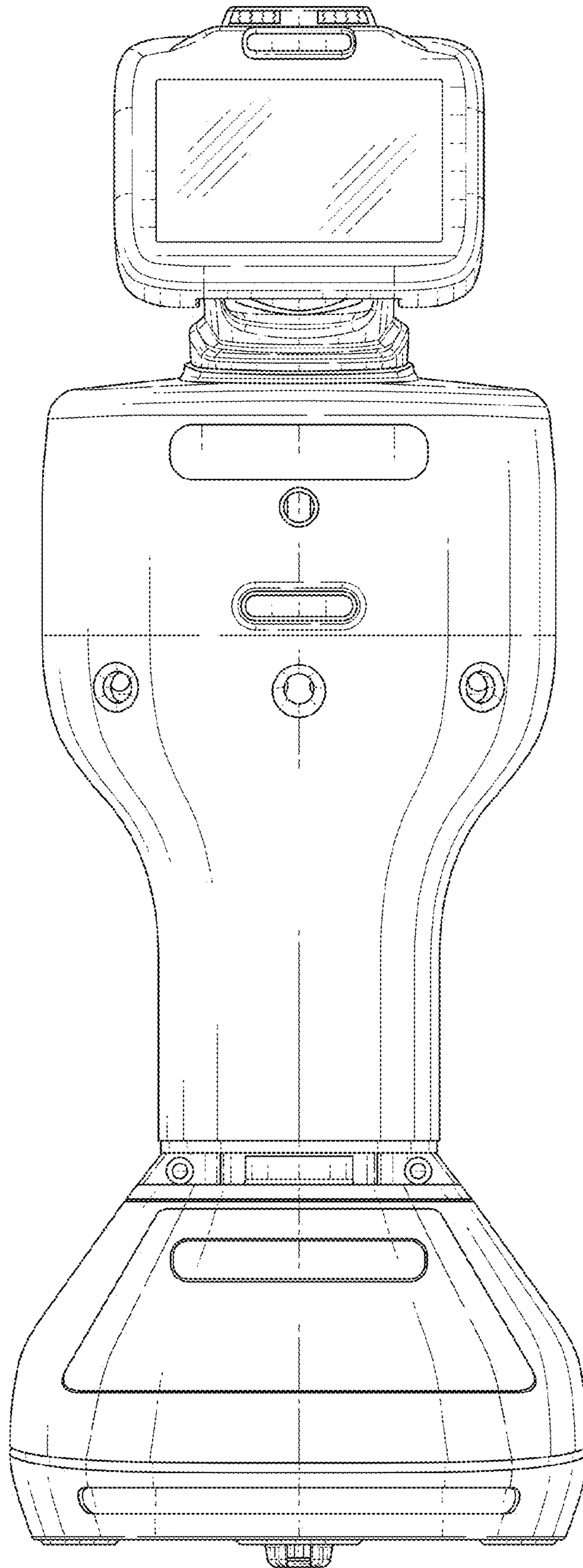


FIG. 9

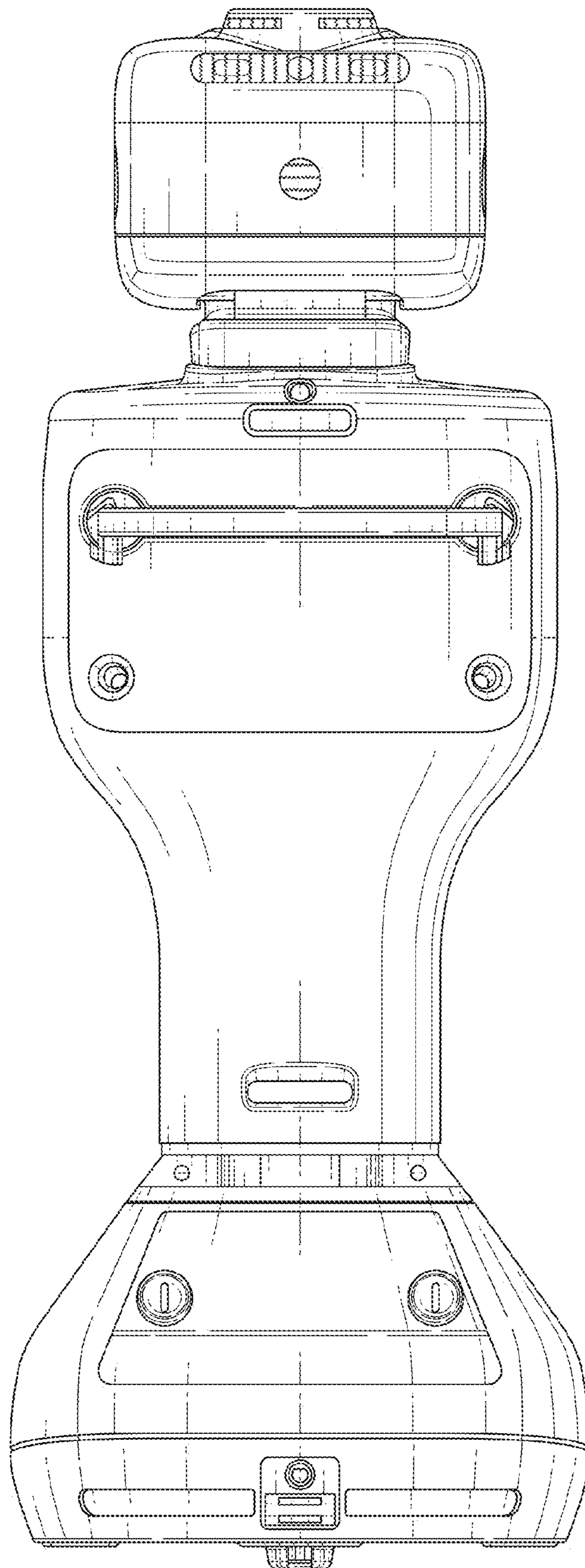


FIG. 10

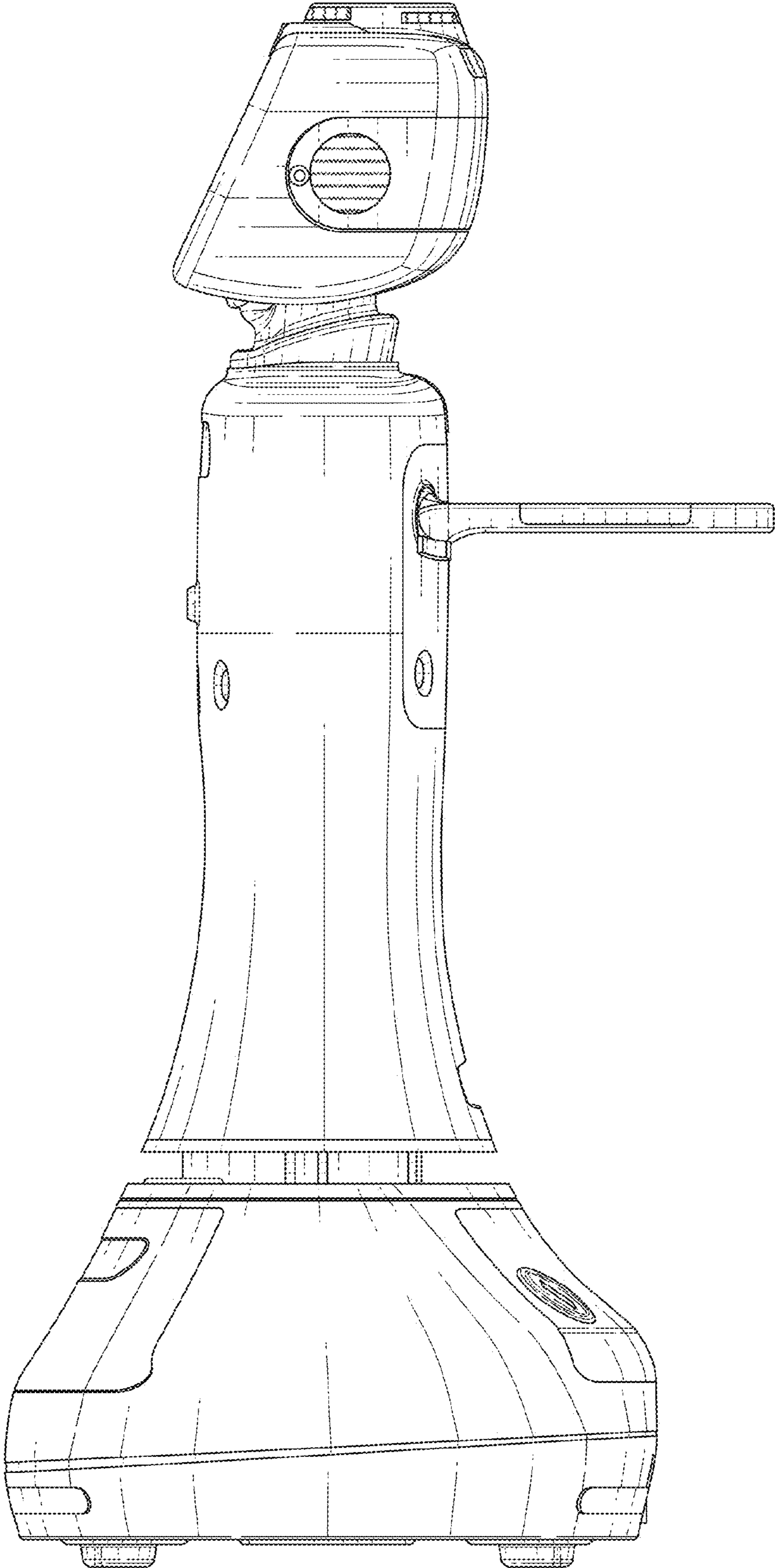


FIG. 11

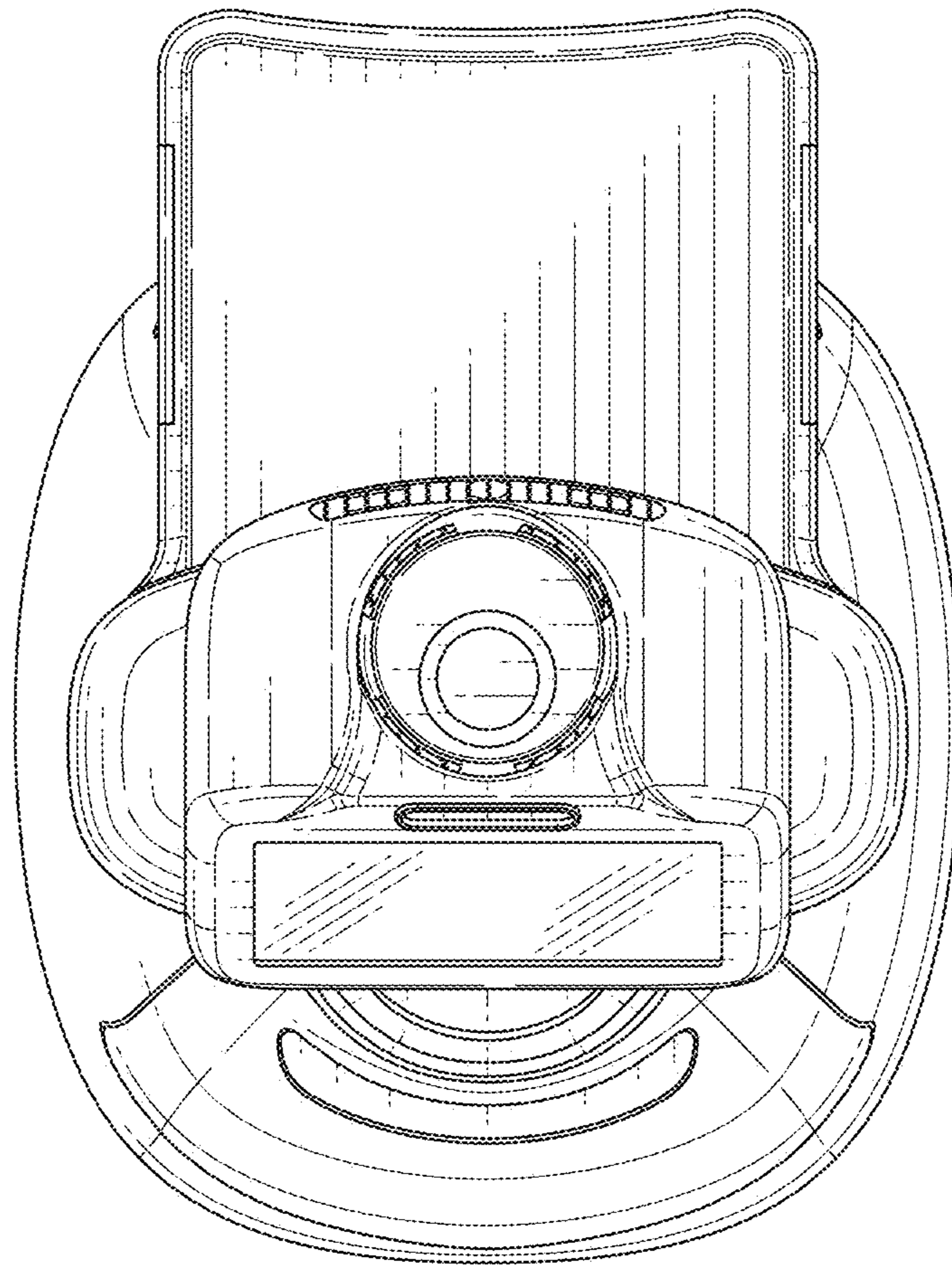


FIG. 12

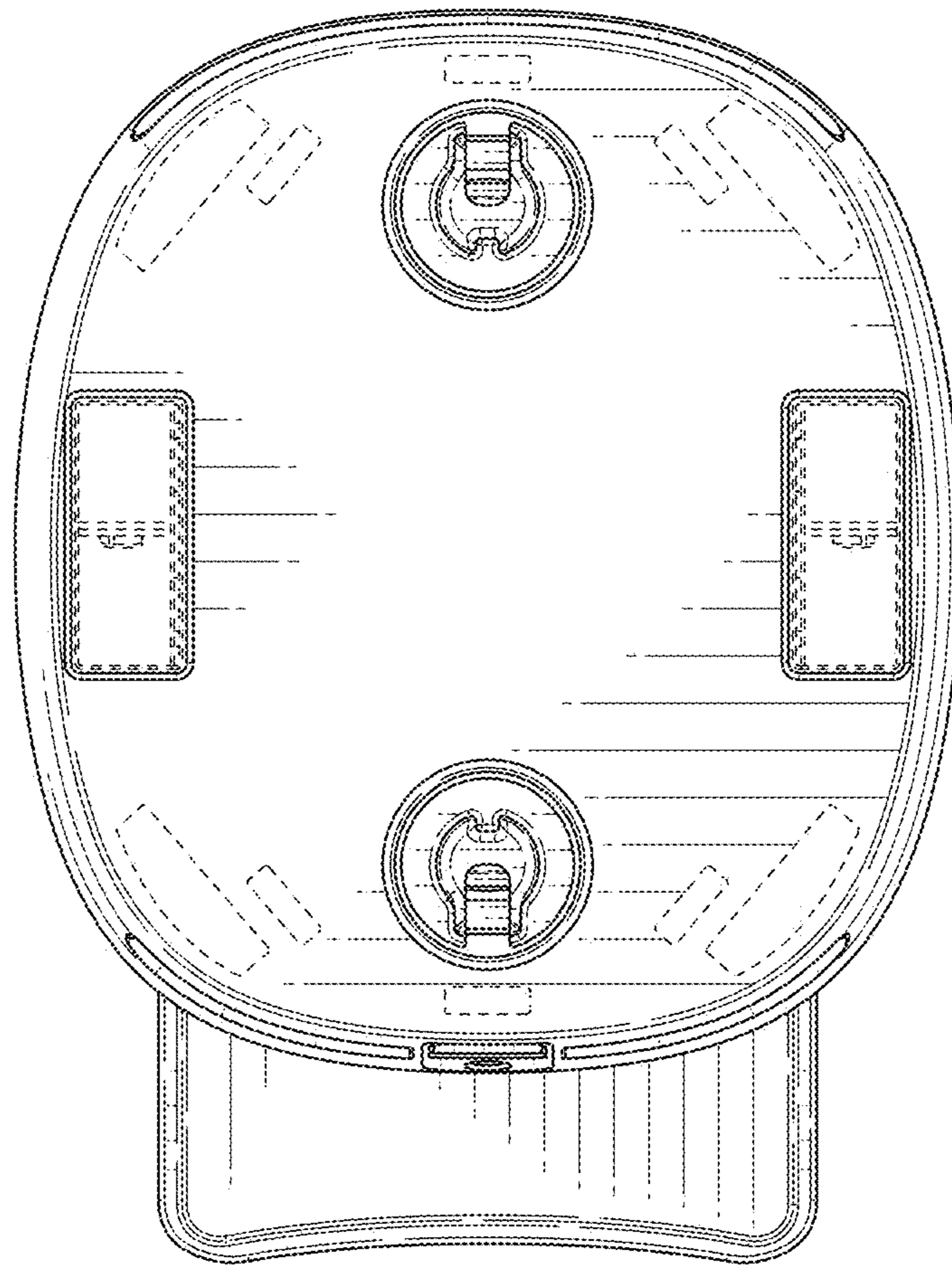


FIG. 13

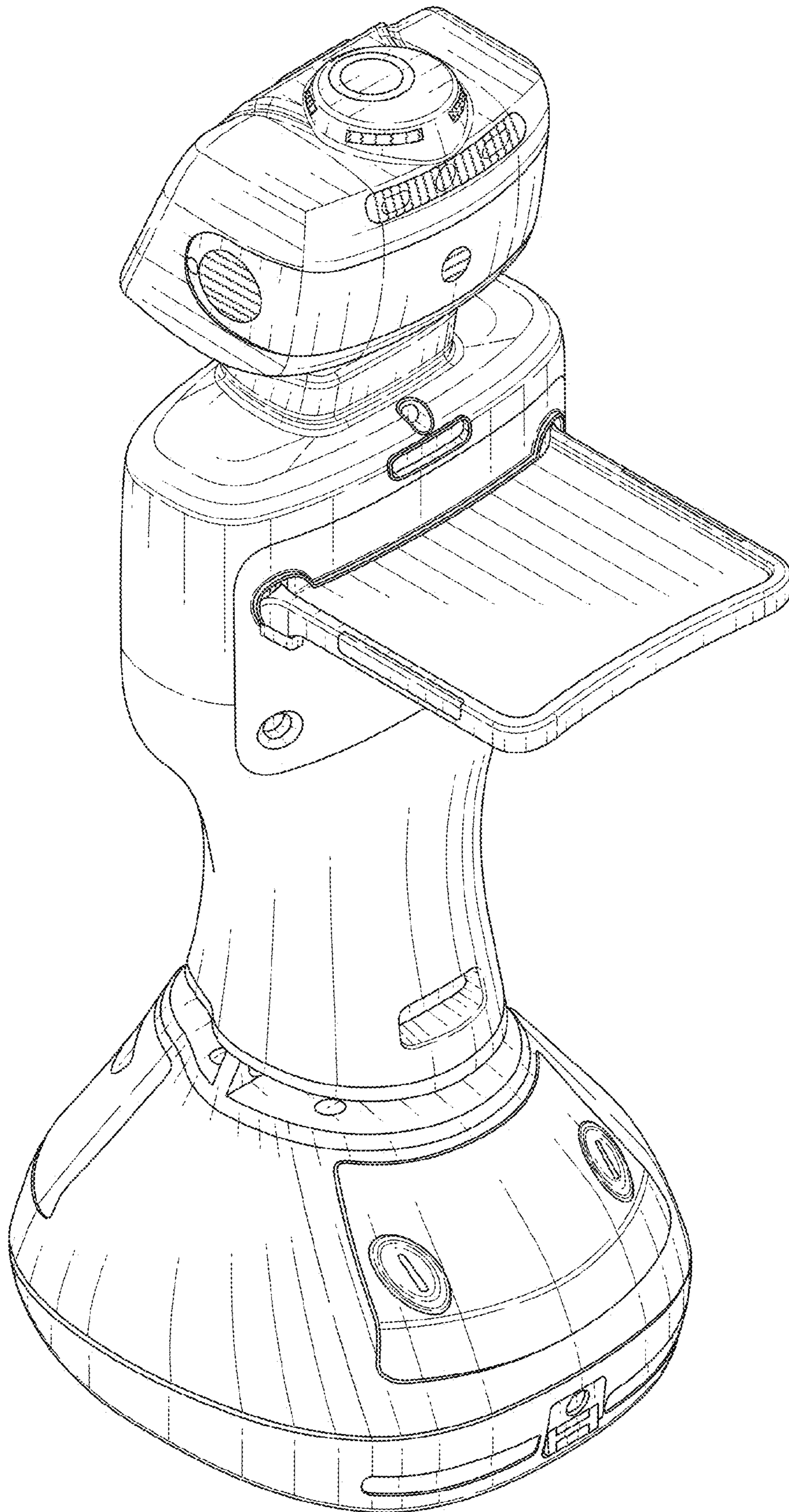


FIG. 14

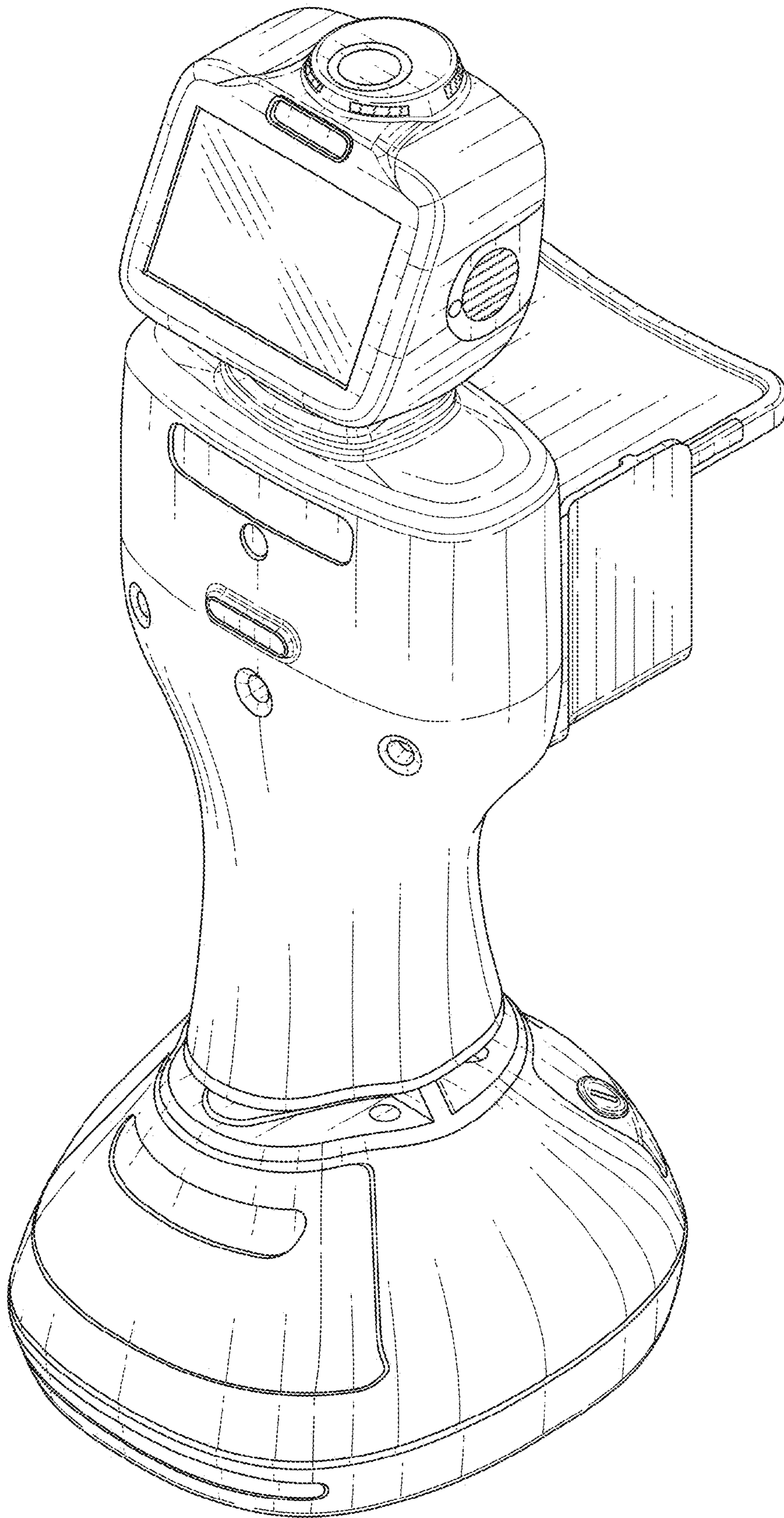


FIG. 15



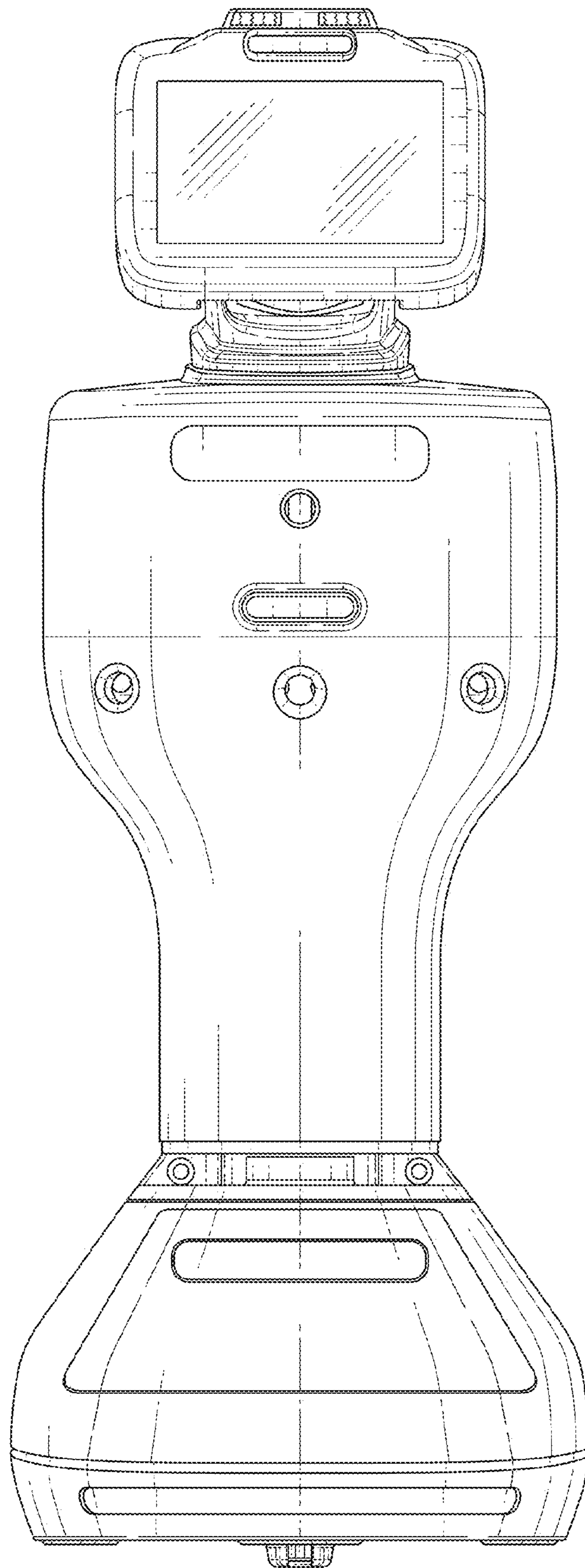


FIG. 16

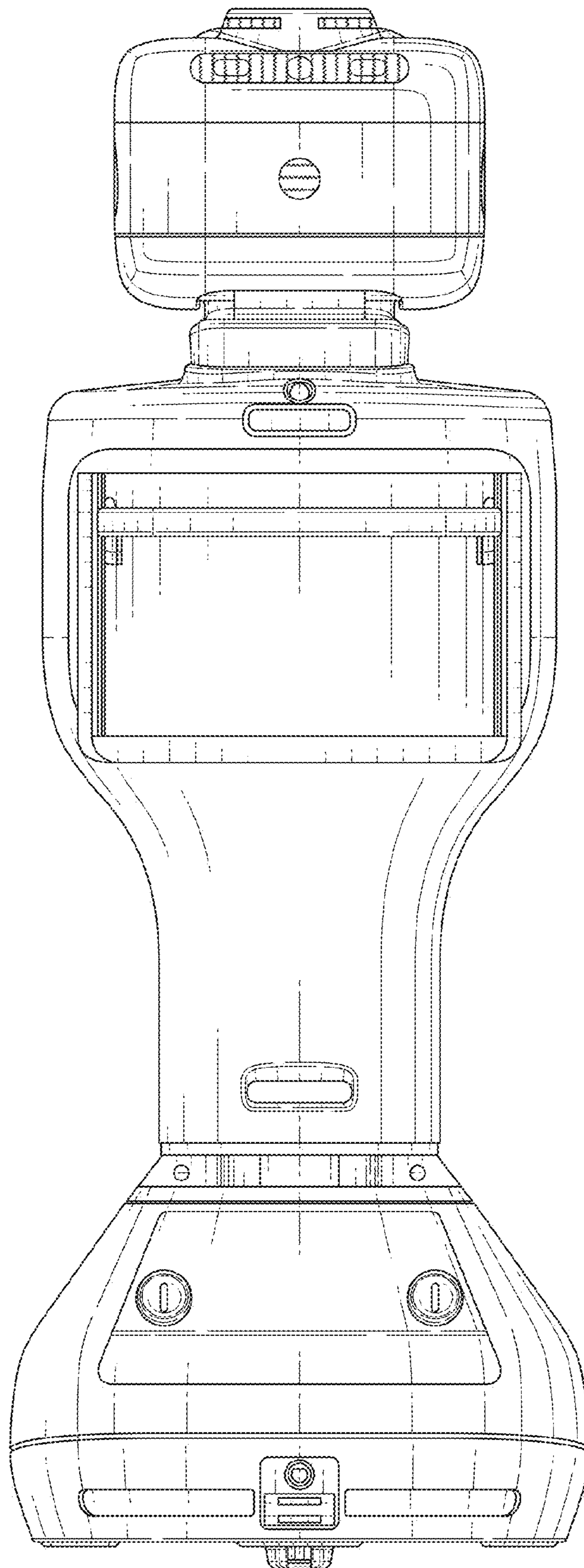


FIG. 17

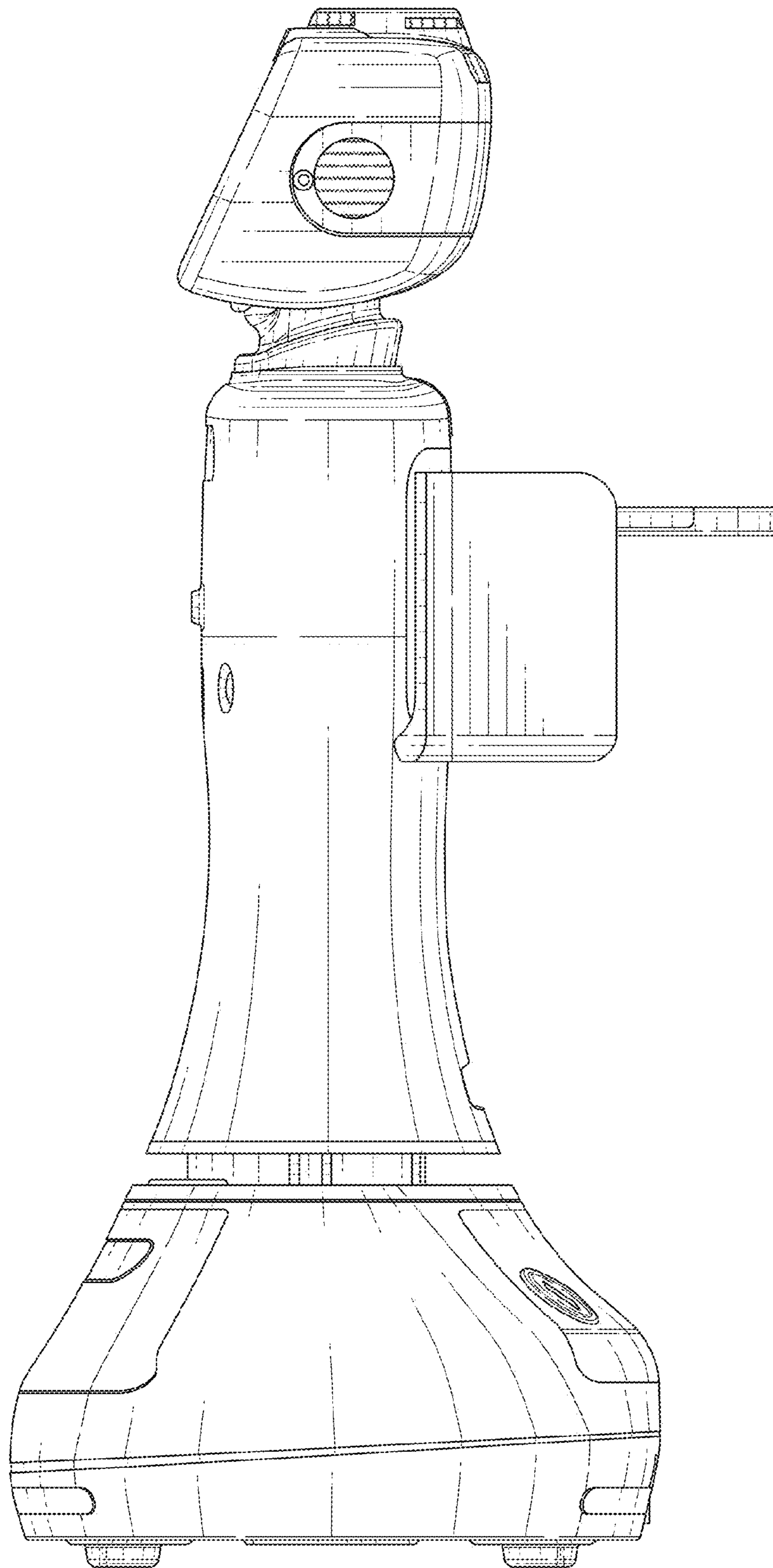


FIG. 18

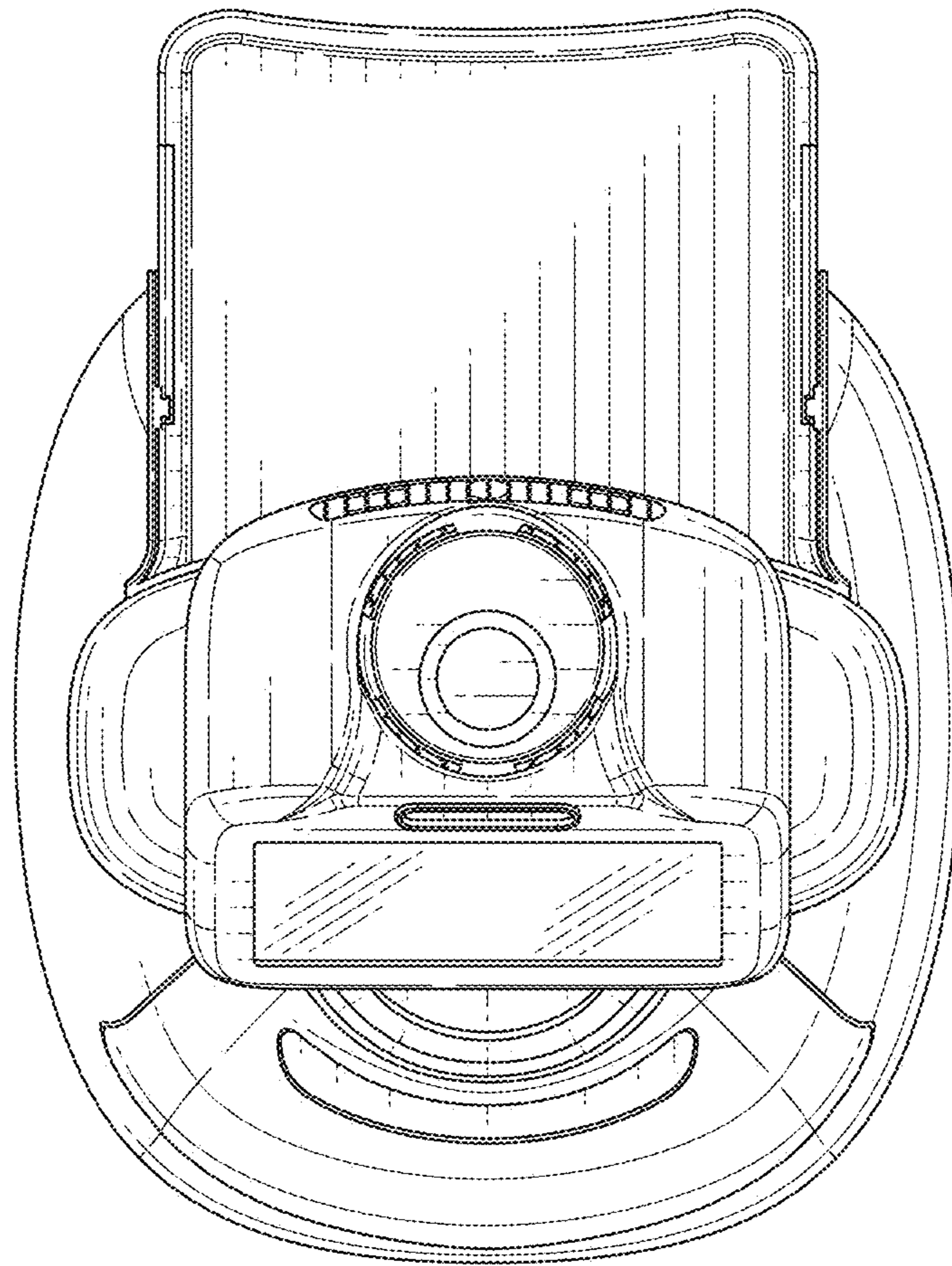


FIG. 19

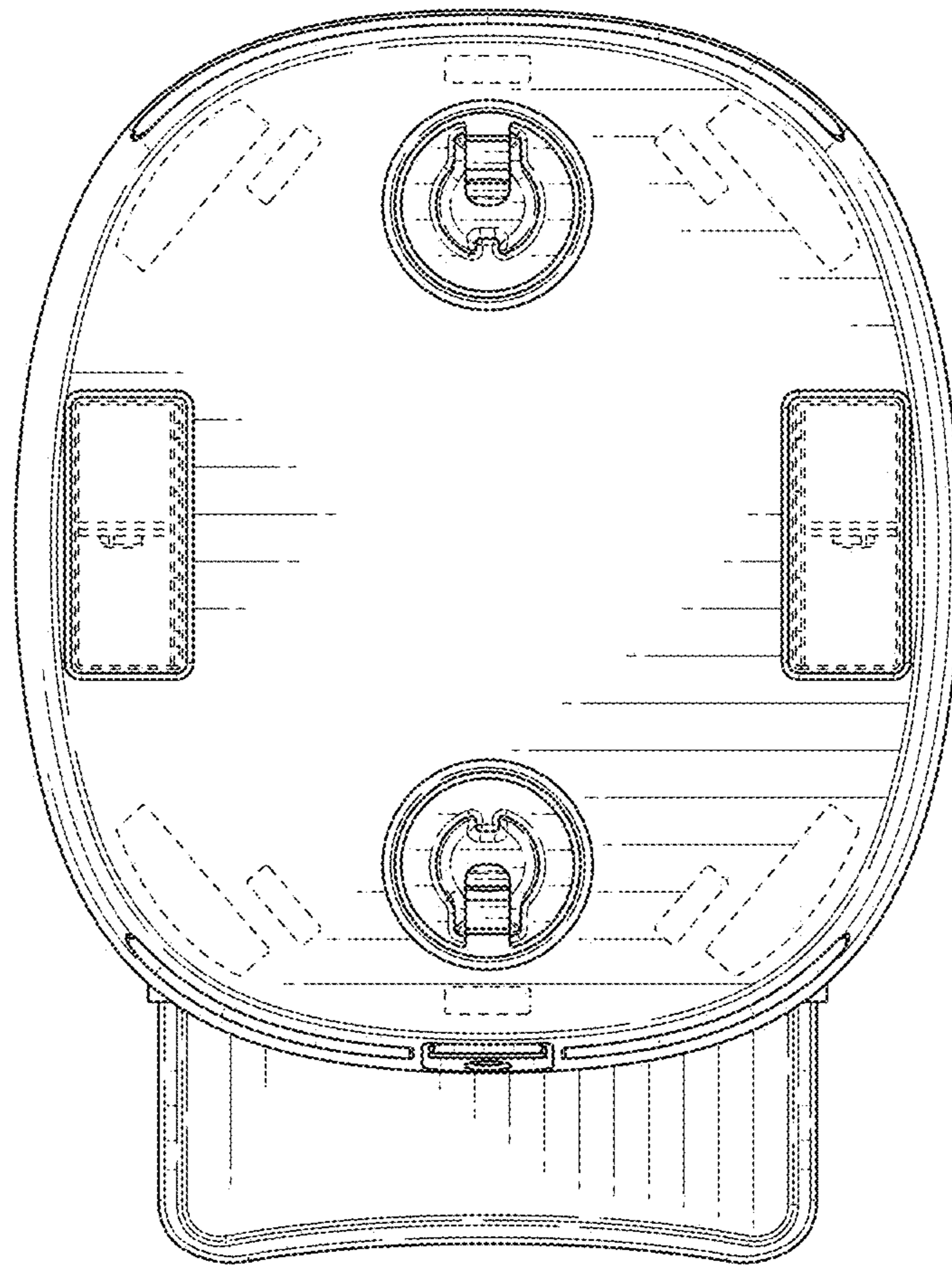


FIG. 20

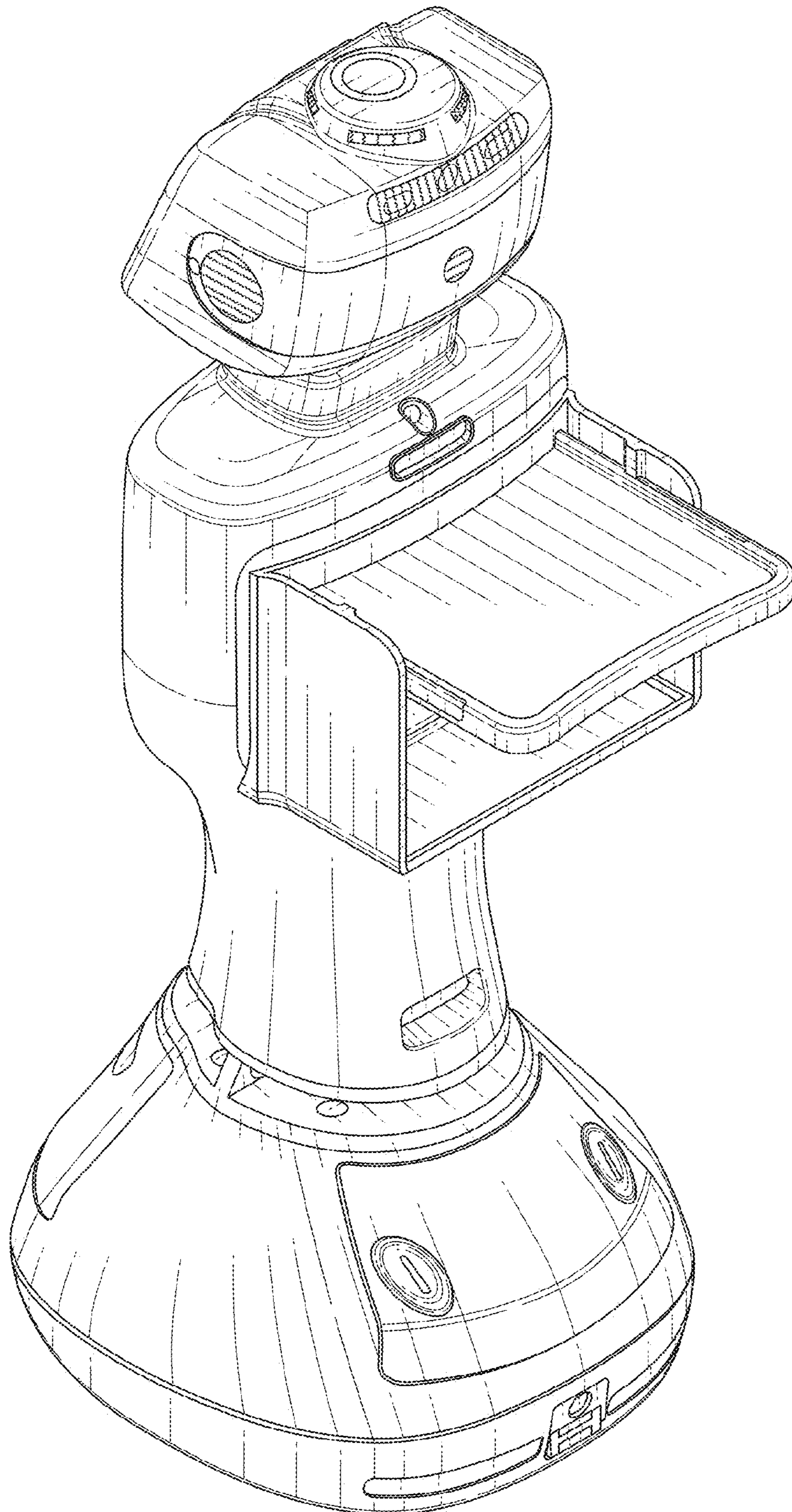


FIG. 21