

US00D940879S

(12) **United States Design Patent**
Ryu et al.

(10) **Patent No.: US D940,879 S**
(45) **Date of Patent: ** Jan. 11, 2022**

(54) **MEDICAL SKIN CARE DEVICE**
(71) Applicant: **HIRONIC CO., LTD.**, Yongin-si (KR)
(72) Inventors: **Dong Yeon Ryu**, Hwaseong-si (KR);
Ha Gyeong Seong, Yongin-si (KR)

D790,066 S * 6/2017 Lei D24/158
D867,602 S * 11/2019 Ryu D24/187
D874,009 S * 1/2020 Dlabac D24/185
D903,876 S * 12/2020 Emery D24/185
2018/0021104 A1* 1/2018 Duncan A61B 50/13
433/29

(73) Assignee: **HIRONIC CO., LTD.**, Yongin-si (KR)
(**) Term: **15 Years**

OTHER PUBLICATIONS

GENTLO™—Innovative Combination of RF and PLASMA—
hironic. Named good design selection in 2019. Retrieved from
website: <http://www.hironic.com/p/Gentlo>.*

(21) Appl. No.: **29/713,440**

* cited by examiner

(22) Filed: **Nov. 15, 2019**

(51) **LOC (13) Cl.** **24-01**

Primary Examiner — Anhdao Doan

(52) **U.S. Cl.**
USPC **D24/185**; D24/209

(74) *Attorney, Agent, or Firm* — Hauptman Ham, LLP

(58) **Field of Classification Search**
USPC D24/200, 209, 210, 231, 107, 167, 158,
D24/160, 185–187; D34/12, 14
CPC A61N 5/062; A61N 5/0616; A61N 5/0617;
A61N 5/0618; A61B 8/4405; A61B
8/462; A61B 8/467; A61B 5/338; A61B
50/13; A61G 12/001; A61M 2209/082;
A61M 2209/084

(57) **CLAIM**

The ornamental design for a medical skin care device, as
shown and described.

See application file for complete search history.

DESCRIPTION

(56) **References Cited**

U.S. PATENT DOCUMENTS

D407,684 S * 4/1999 Moss D13/101
D515,767 S * 2/2006 Arceta D24/185
D568,258 S * 5/2008 Adam D13/163
D680,650 S * 4/2013 Muraoka D24/158
D702,842 S * 4/2014 Hyde D24/185
D726,324 S * 4/2015 Duncan D24/177

FIG. 1 is a perspective view of a medical skin care device
showing our new design;
FIG. 2 is a front view thereof;
FIG. 3 is a rear view thereof;
FIG. 4 is a left side view thereof;
FIG. 5 is a right side view thereof;
FIG. 6 is a top view thereof; and,
FIG. 7 is a bottom view thereof.

The broken lines in the drawings depict portions of the
medical skin care device that form no part of the claimed
design.

1 Claim, 7 Drawing Sheets

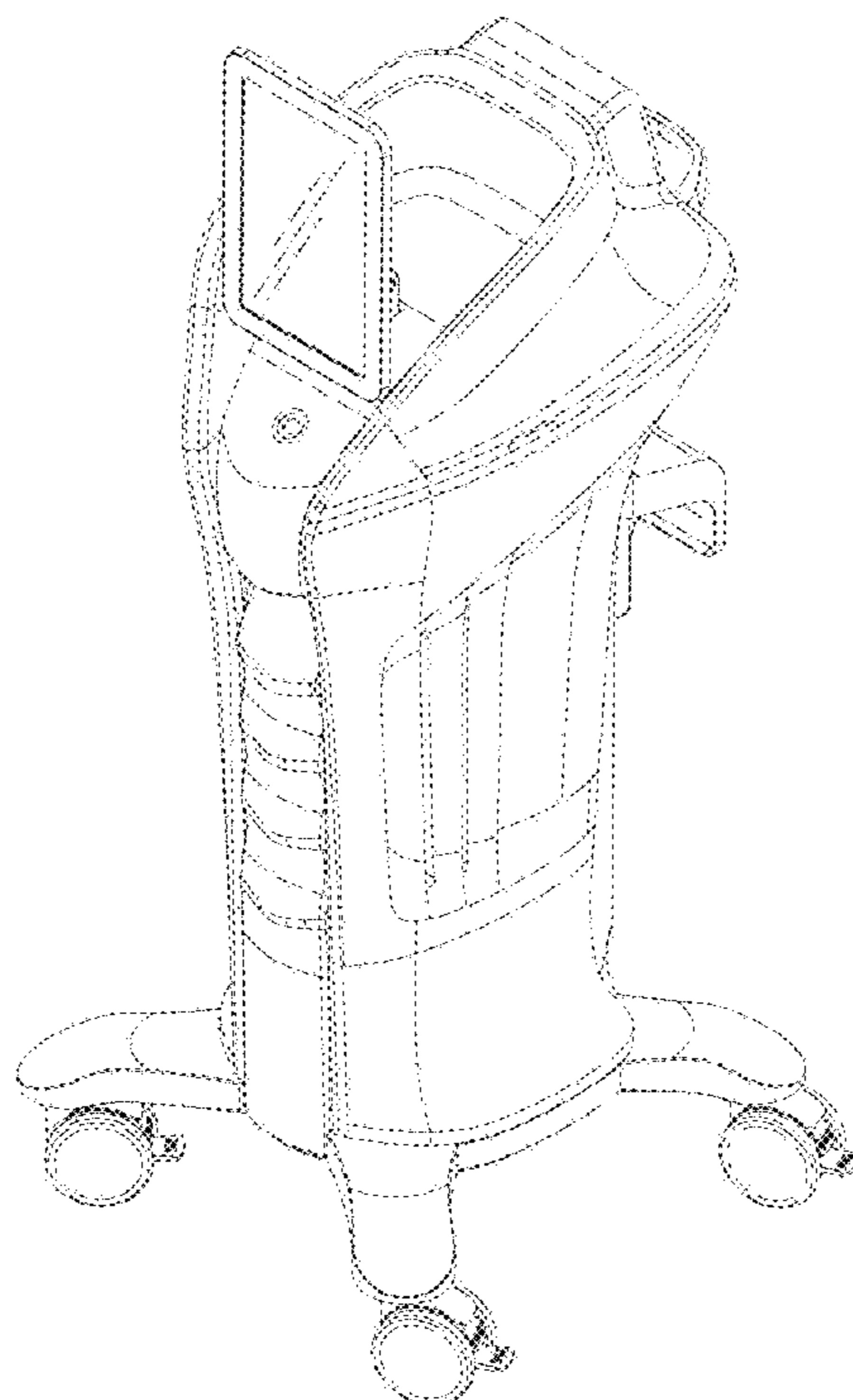


FIG. 1

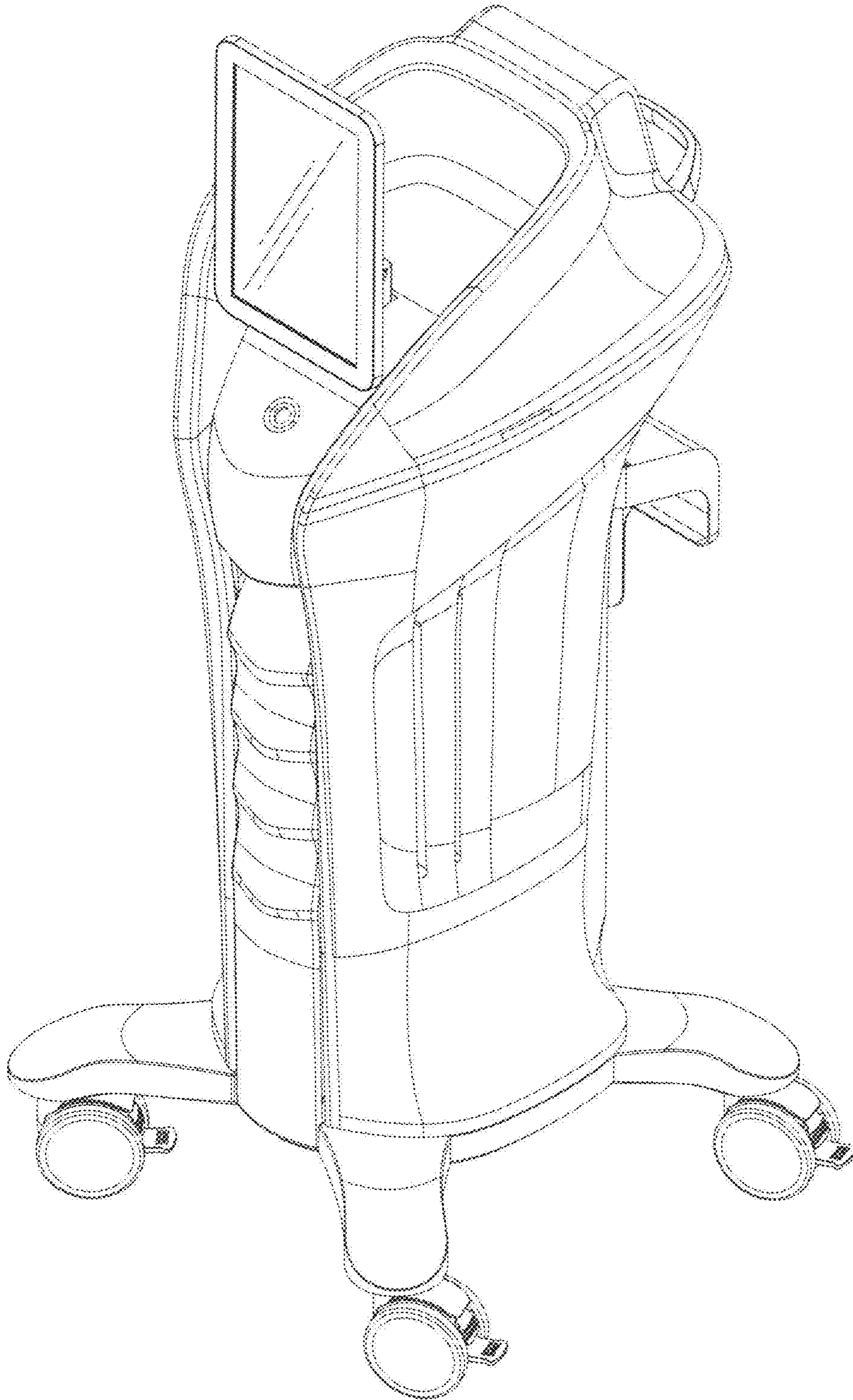


FIG. 2

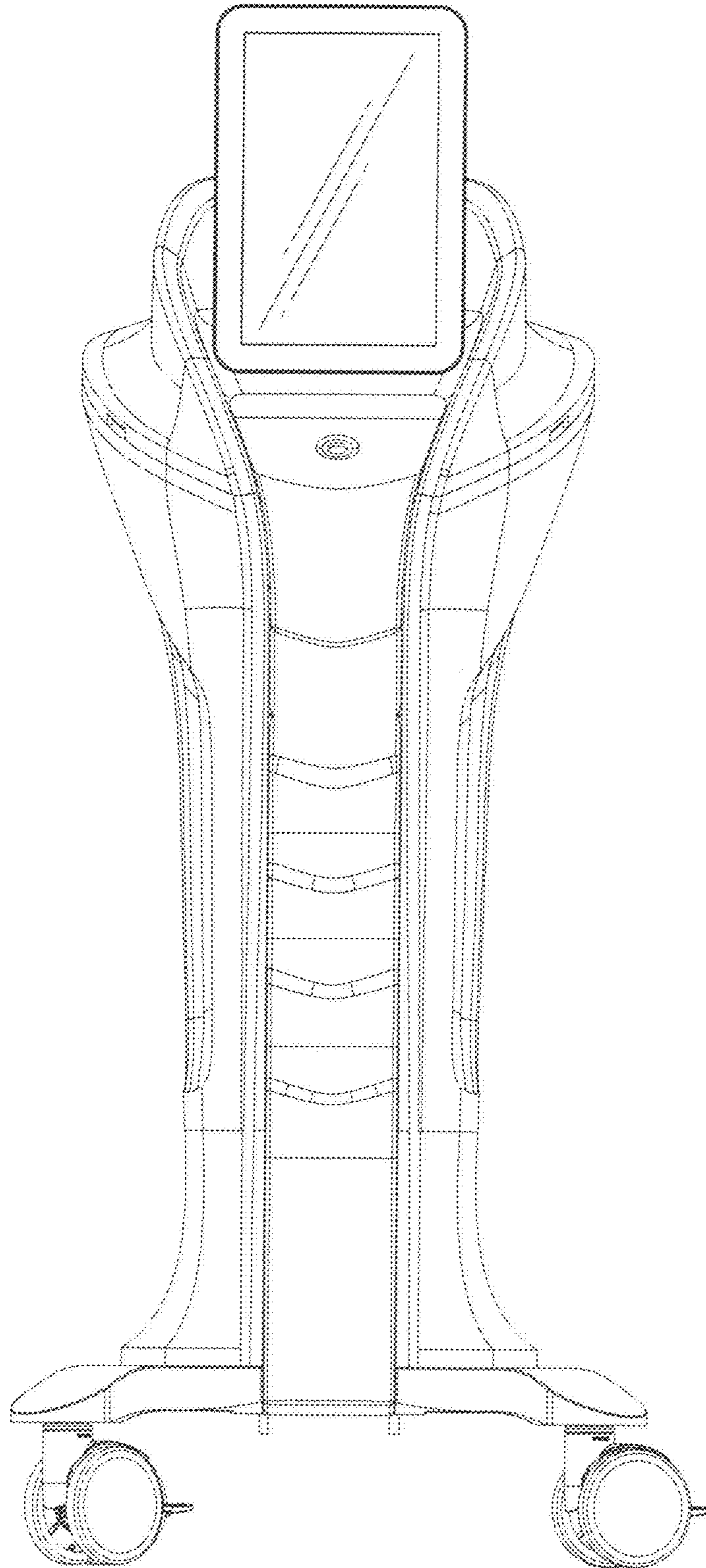


FIG. 3

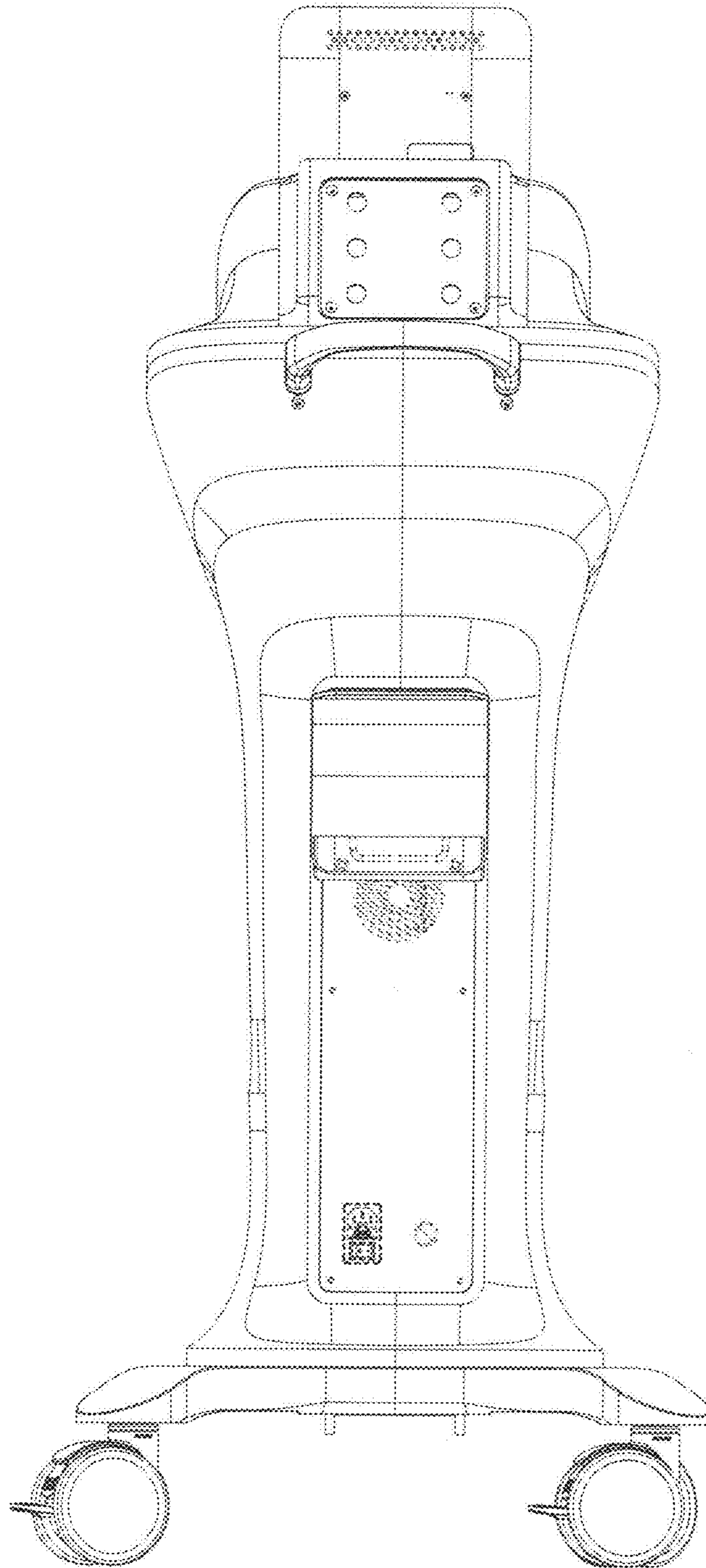


FIG. 4

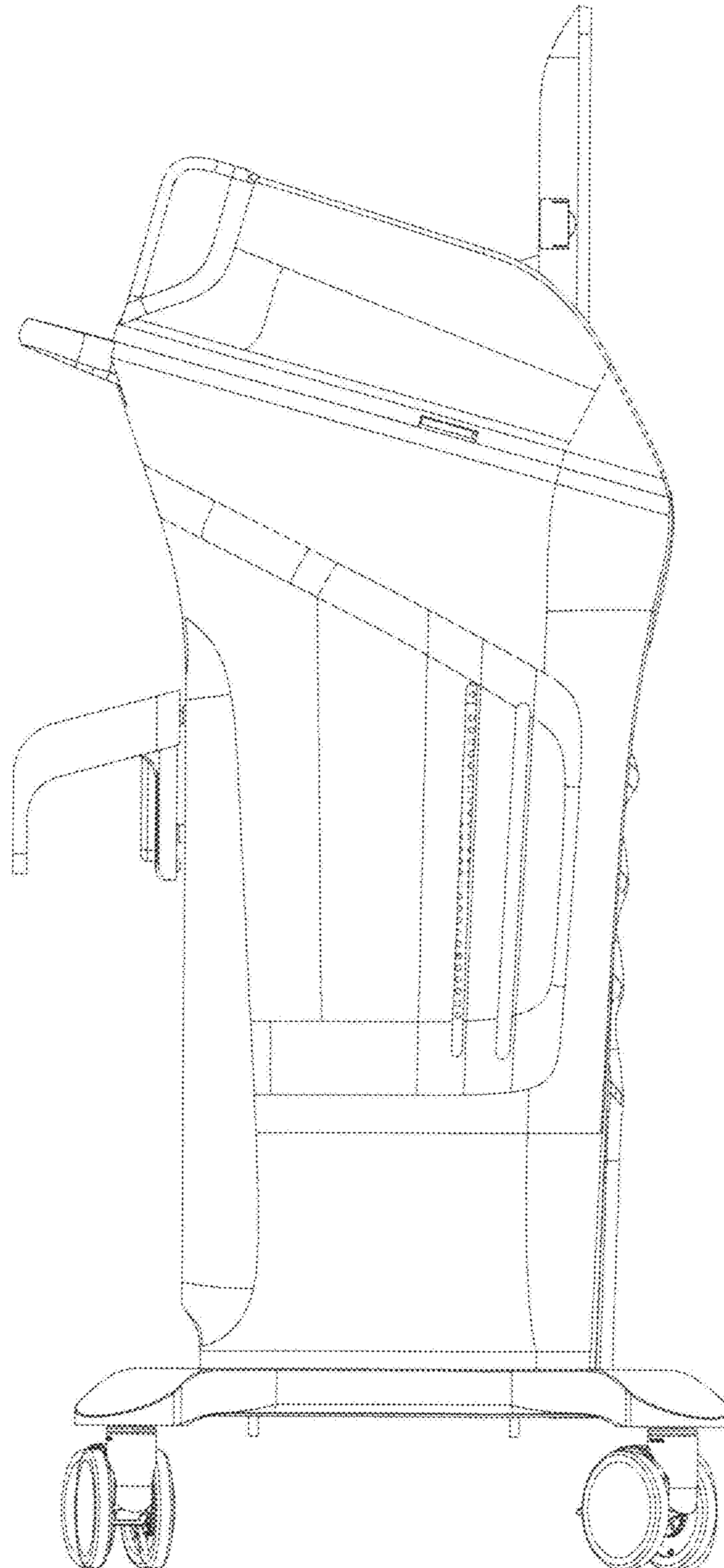


FIG. 5

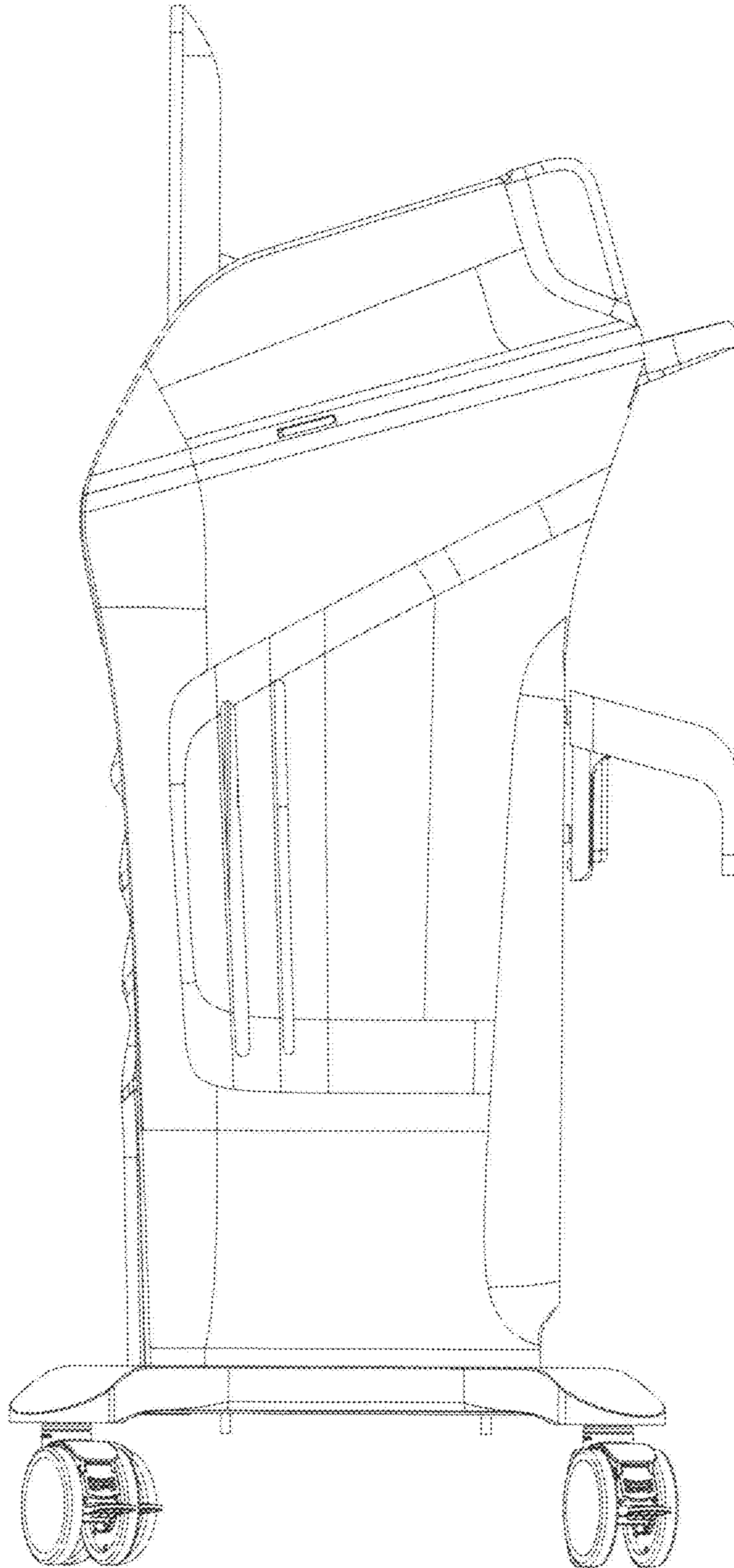


FIG. 6

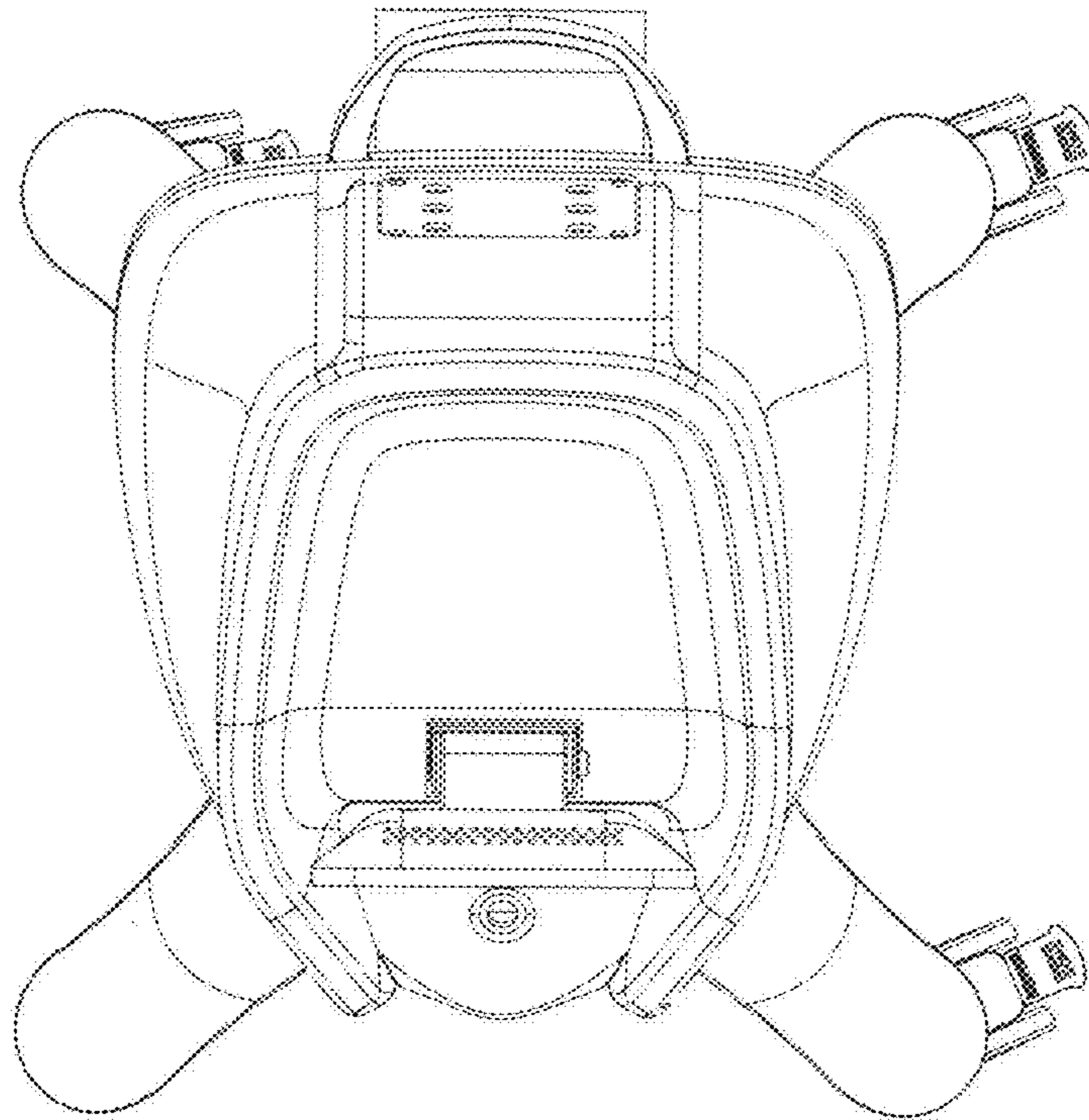


FIG. 7

