



US00D940878S

(12) **United States Design Patent**
Buddemeyer et al.

(10) **Patent No.:** **US D940,878 S**
(45) **Date of Patent:** **** Jan. 11, 2022**

- (54) **ORTHODONTIC POST**
- (71) Applicant: **ORTHO SOLUTIONS, LC**, St. Ann, MO (US)
- (72) Inventors: **Darren Buddemeyer**, Ladue, MO (US); **Matthew Malabey**, Wentzville, MO (US)
- (73) Assignee: **ORTHO SOLUTIONS, LC**, St. Ann, MO (US)
- (**) Term: **15 Years**
- (21) Appl. No.: **29/733,585**
- (22) Filed: **May 5, 2020**
- (51) **LOC (13) Cl.** **24-02**
- (52) **U.S. Cl.**
USPC **D24/180**
- (58) **Field of Classification Search**
USPC D24/180-182, 176, 156
CPC A61C 7/36; A61C 7/34; A61C 7/28; A61C 7/22; A61C 7/18; A61C 7/12; A61C 7/10; A61C 7/08
See application file for complete search history.

9,987,105	B2	6/2018	Dupray et al.	
10,226,312	B2	3/2019	Khoshnevis et al.	
10,231,802	B2	3/2019	Gualano	
D847,349	S *	4/2019	Edgren	D24/180
D848,001	S *	5/2019	Buddemeyer	D24/180
10,456,219	B2 *	10/2019	Buddemeyer	A61C 7/36
2006/0234180	A1 *	10/2006	Huge	A61C 7/36 433/19
2008/0014544	A1	1/2008	Nucera	
2014/0045137	A1	2/2014	Solano Reina et al.	

(Continued)

FOREIGN PATENT DOCUMENTS

DE	3423106	C2	9/1985
WO	WO2020011647		1/2020

Primary Examiner — Wan Laymon
(74) *Attorney, Agent, or Firm* — Lewis Rice LLC

(57) **CLAIM**

The ornamental design for an orthodontic post, as shown and described.

DESCRIPTION

FIG. 1 is a top side perspective view of an orthodontic post. FIG. 2 is a back side perspective view of an orthodontic post. FIG. 3 is a top elevation view of an orthodontic post. FIG. 4 is a bottom elevation view of an orthodontic post. FIG. 5 is a right side elevation view of an orthodontic post. FIG. 6 is a left side elevation view of an orthodontic post. FIG. 7 is a front elevation view of an orthodontic post. FIG. 8 is a back elevation view of an orthodontic post; and, FIG. 9 is a right side elevation cutaway view of an orthodontic post, the left side elevation cutaway view being a mirror image.

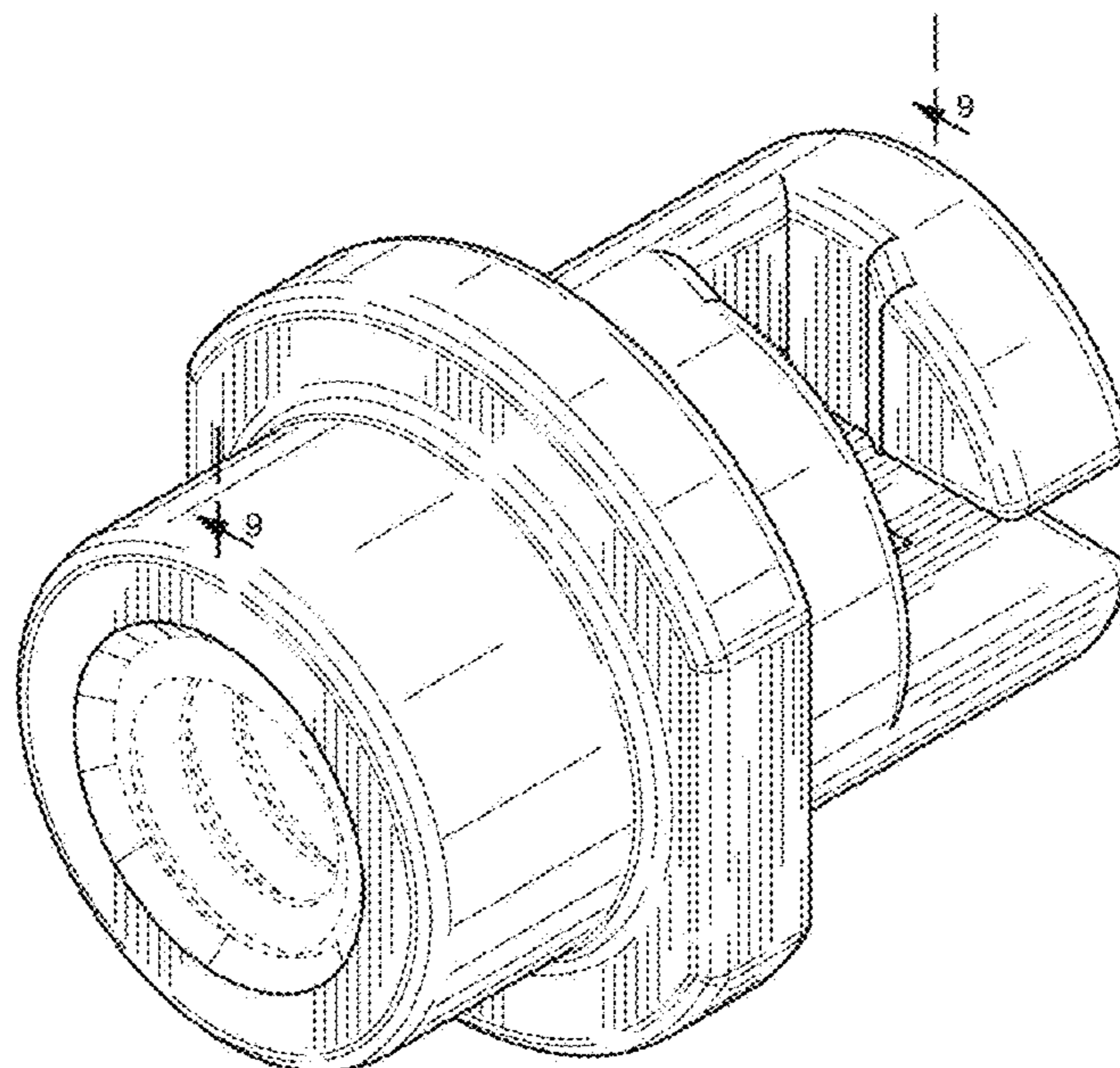
The broken lines shown in the drawings form no part of the claimed design. The hollow interior of the orthodontic post forms no part of the claimed design.

1 Claim, 9 Drawing Sheets

(56) **References Cited**

U.S. PATENT DOCUMENTS

2,104,192	A	1/1938	Ford	
D346,860	S *	5/1994	Kesling	D24/180
6,036,488	A *	3/2000	Williams	A61C 7/10 433/17
7,306,457	B2	12/2007	Vigolo	
9,393,085	B2 *	7/2016	Mohr	A61C 7/36
D794,804	S *	8/2017	Buddemeyer	D24/180
9,797,527	B2	10/2017	Dworak, Jr. et al.	
RE46,646	E	12/2017	Rudman	
9,888,984	B2	2/2018	Rudman	
9,901,420	B2	2/2018	Alauddin et al.	



(56)

References Cited

U.S. PATENT DOCUMENTS

2016/0175072 A1 6/2016 Andreiko et al.
2017/0000588 A1 1/2017 Alauddin et al.
2018/0206943 A1* 7/2018 Buddemeyer A61C 7/36
2018/0318047 A1 11/2018 Kesling
2020/0022786 A1* 1/2020 Buddemeyer A61C 7/36
2020/0060790 A1* 2/2020 Buddemeyer A61C 7/34
2020/0069396 A1* 3/2020 Gessel A61C 7/34

* cited by examiner

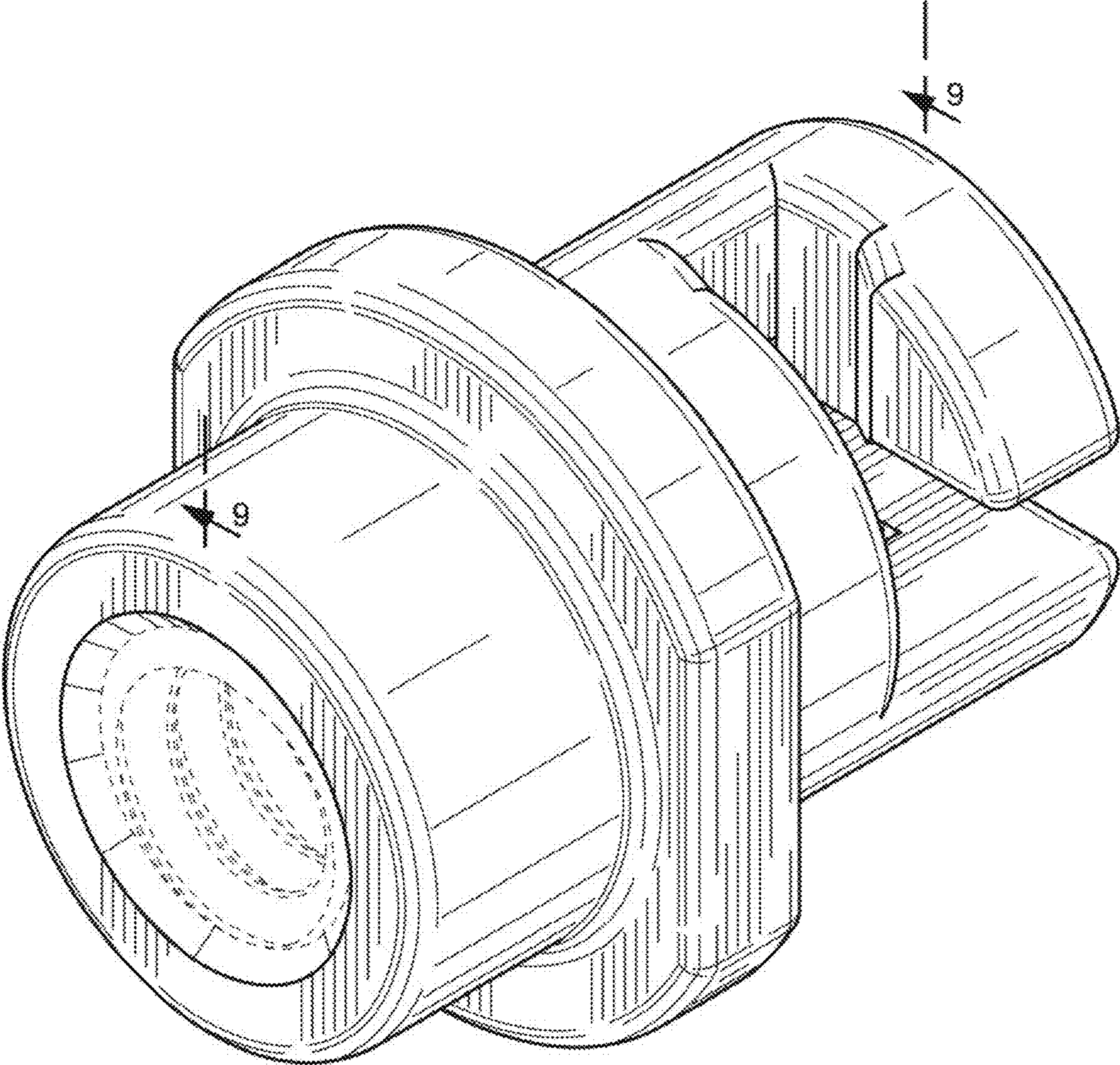


FIG. 1

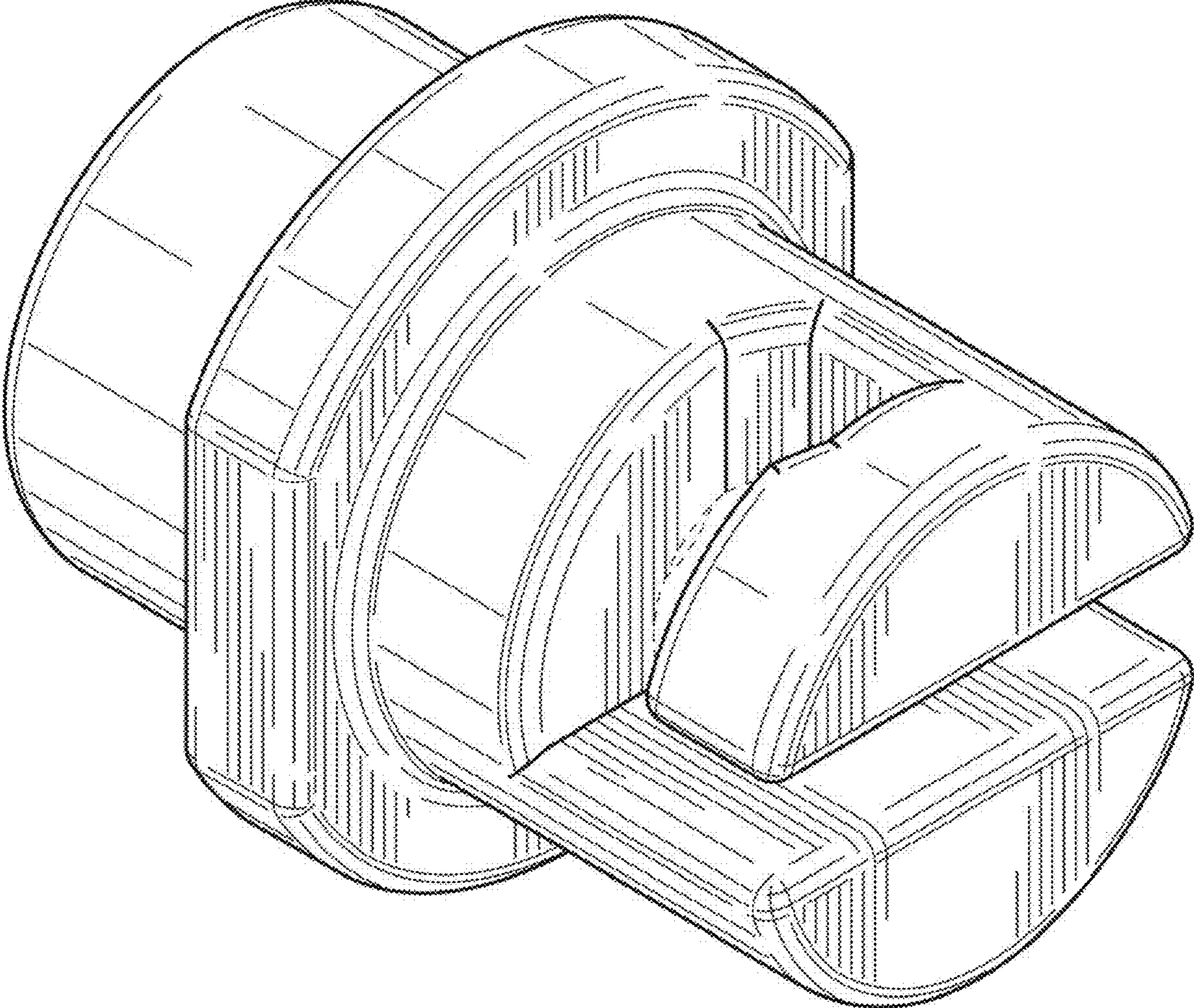


FIG. 2

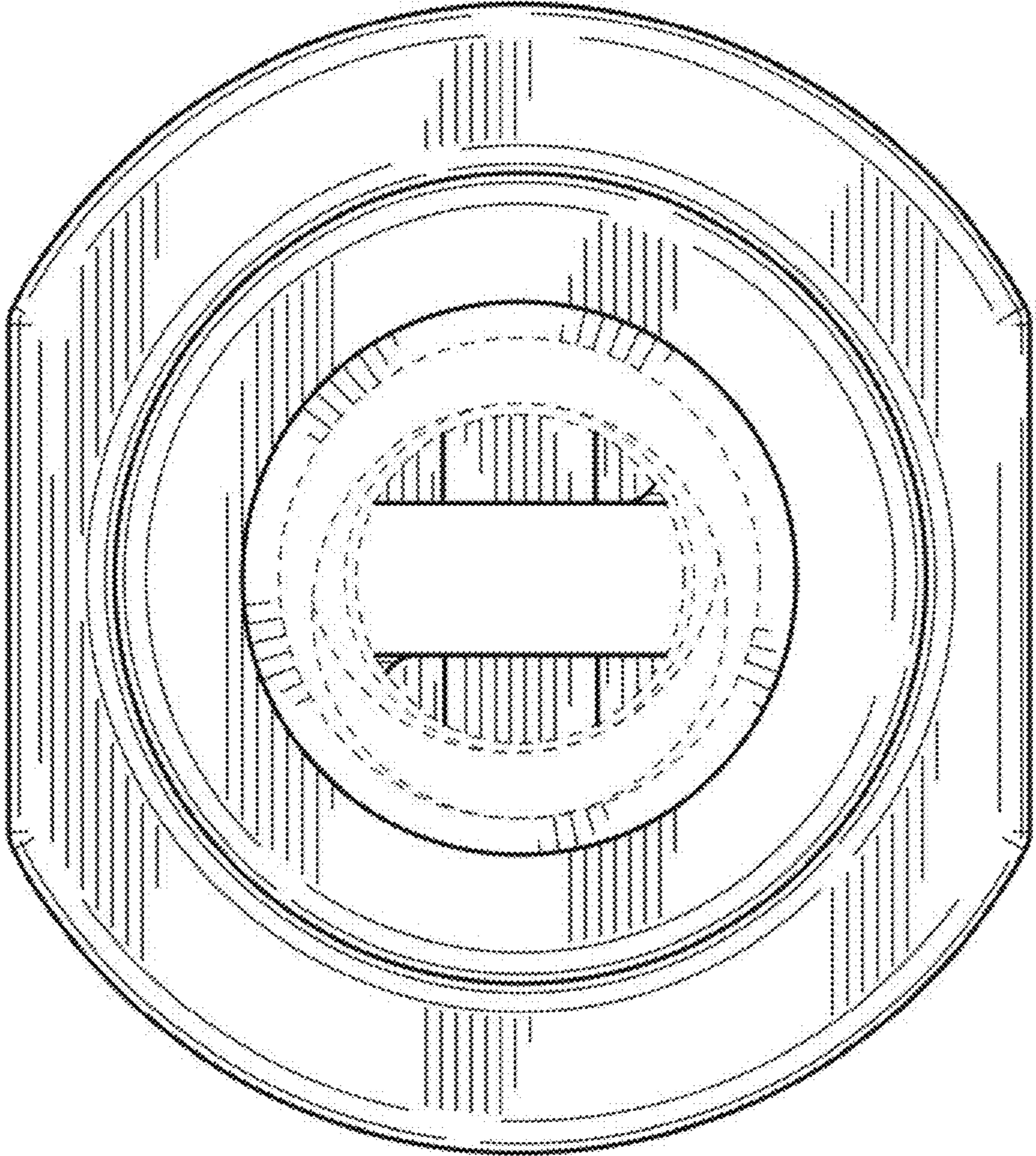


FIG. 3

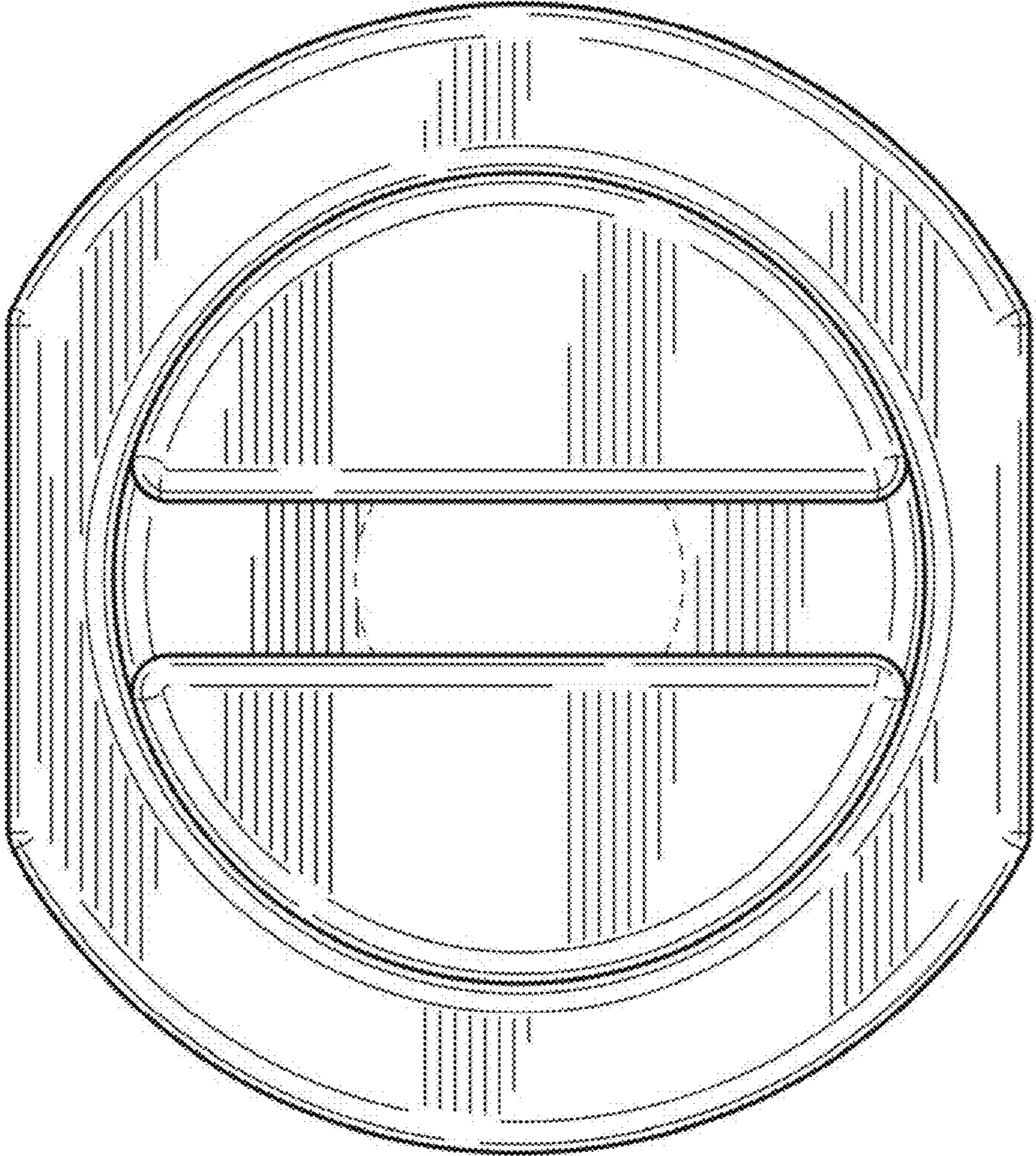


FIG. 4

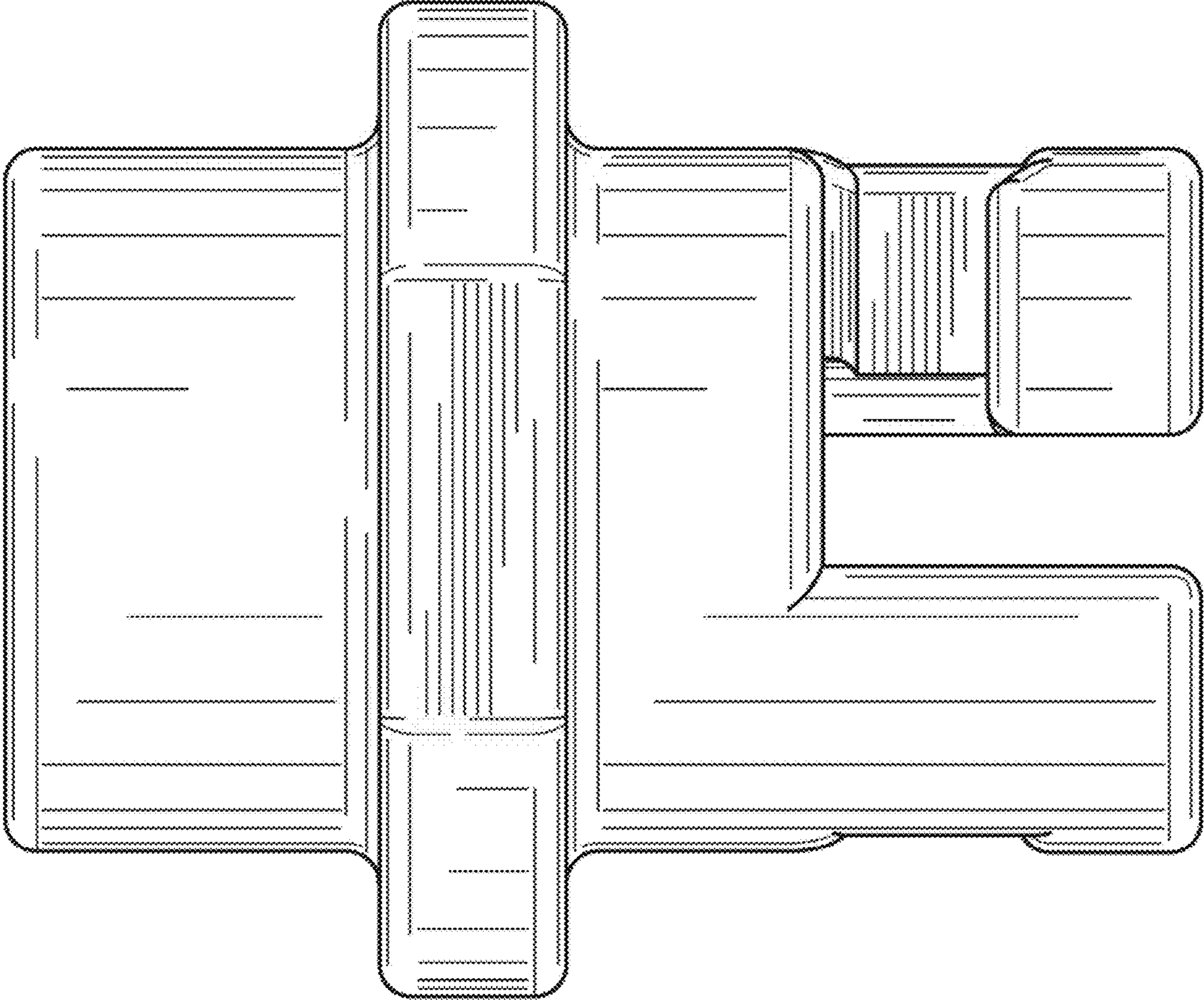


FIG. 5

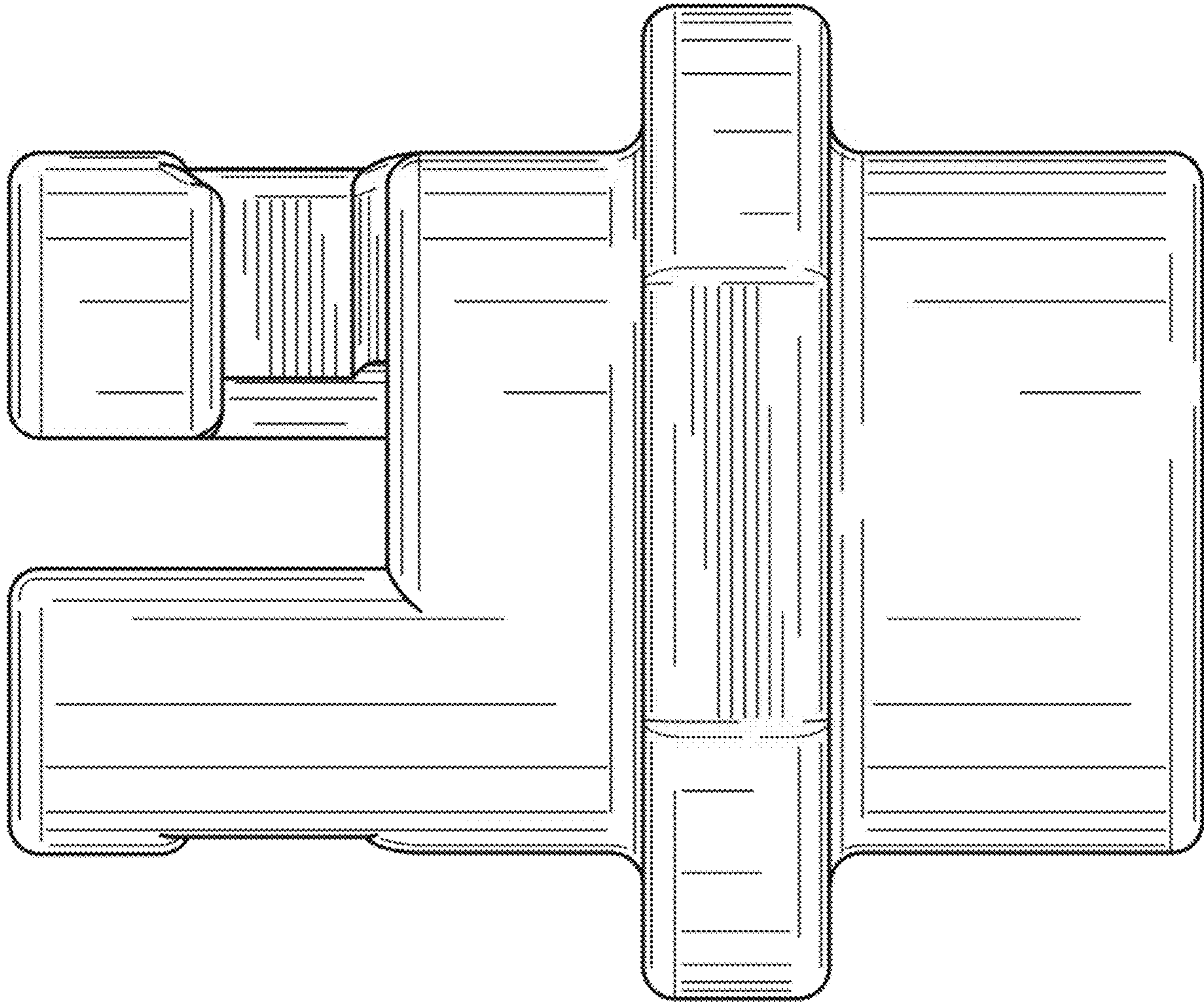


FIG. 6

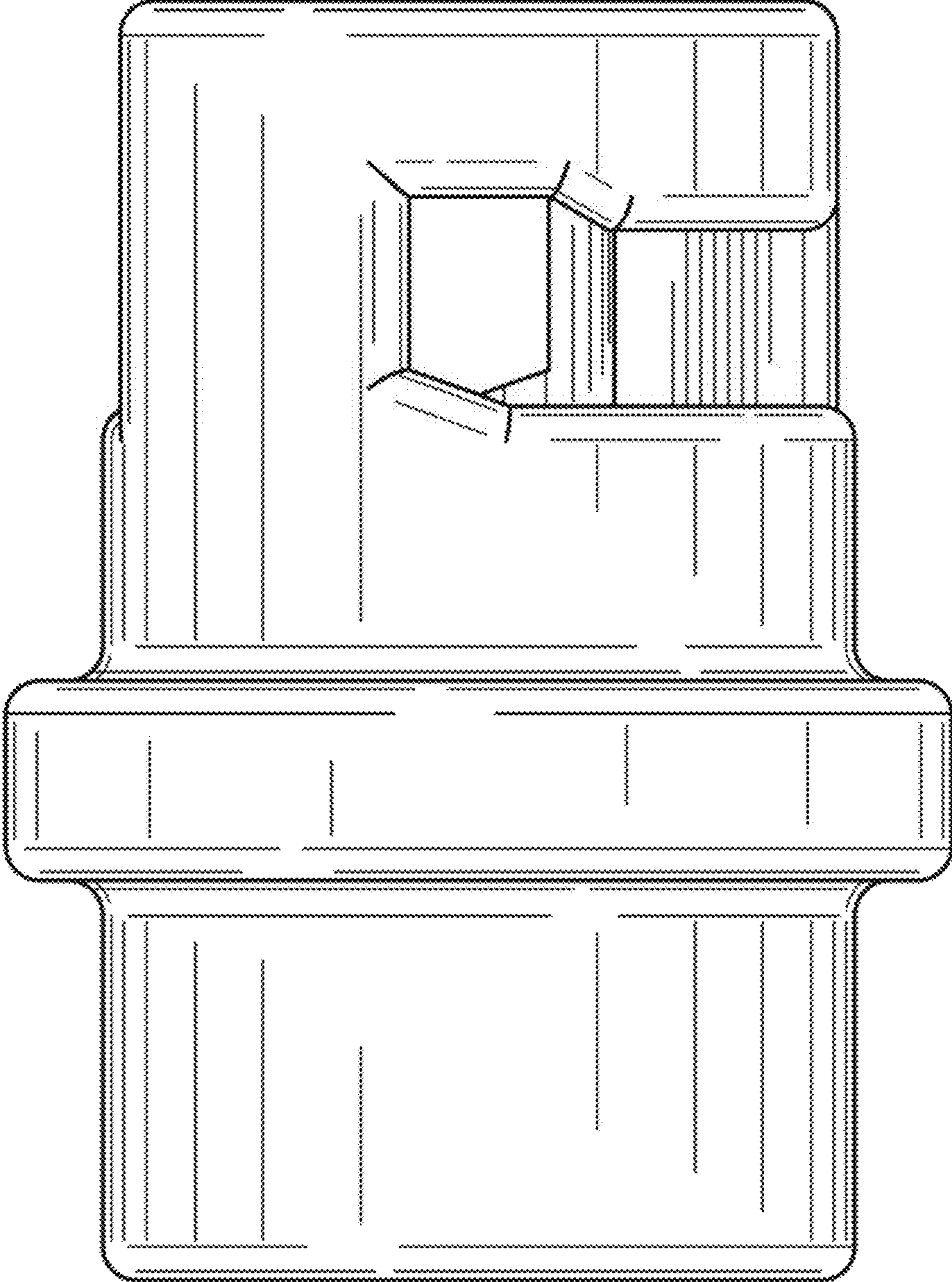


FIG. 7

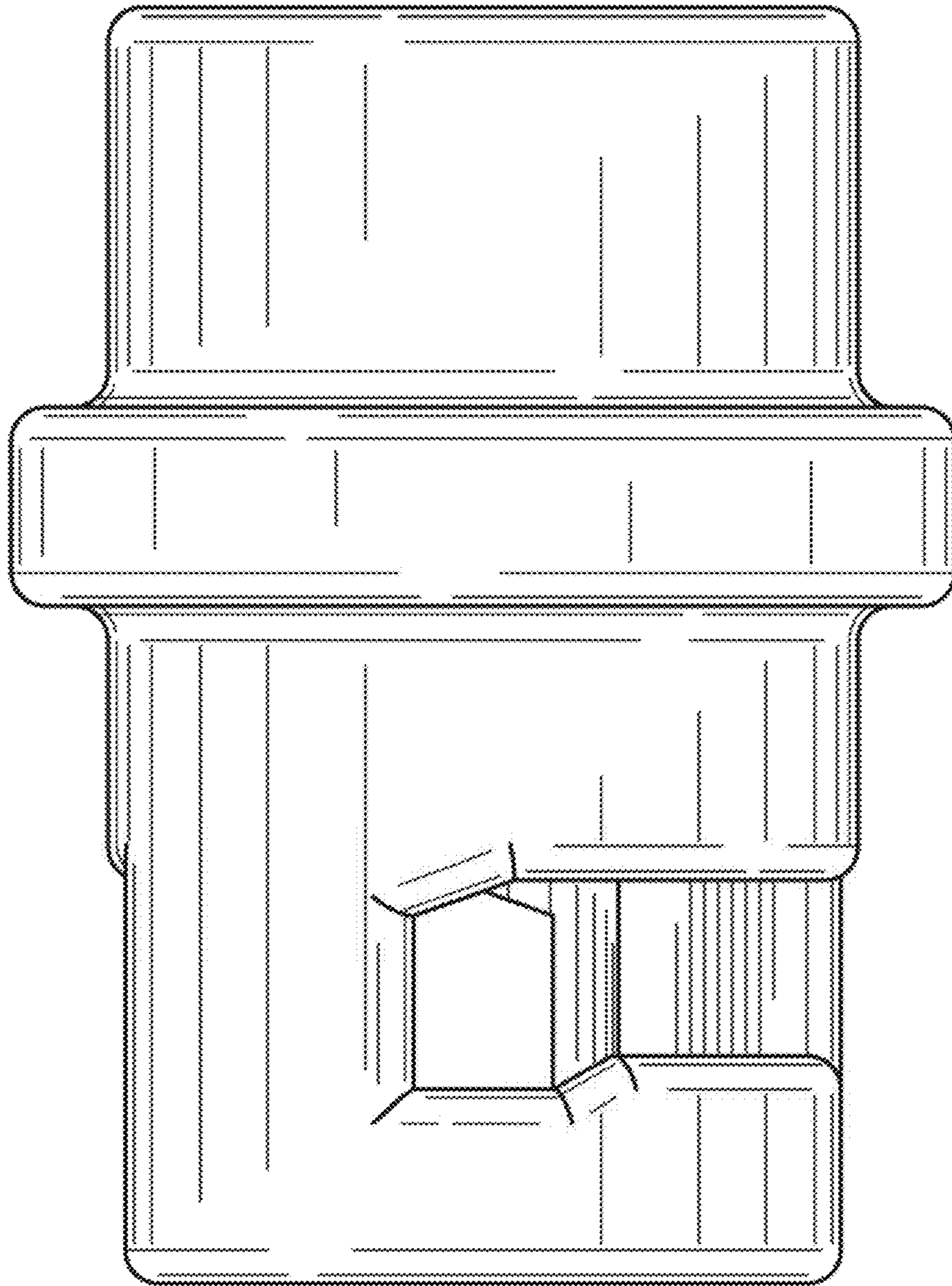


FIG. 8

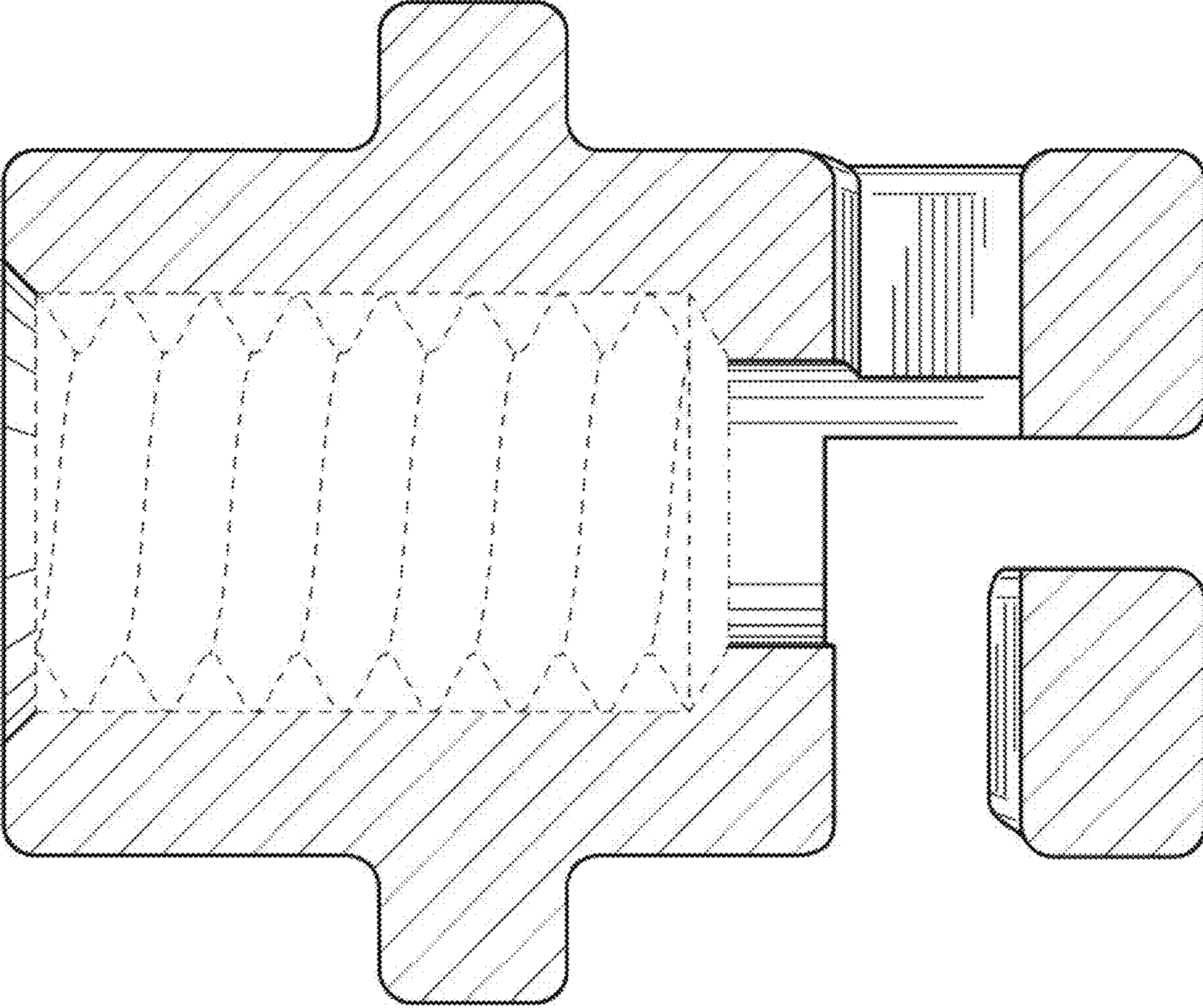


FIG. 9