



US00D940876S

(12) **United States Design Patent**  
**Pfleiderer**

(10) **Patent No.:** **US D940,876 S**  
(45) **Date of Patent:** **\*\* Jan. 11, 2022**

(54) **ENDODONTIC FILE CLIP FOR AN APEX LOCATOR**

(71) Applicant: **DENTSPLY SIRONA Inc.**, York, PA (US)

(72) Inventor: **Martin Pfleiderer**, Auvornier (CH)

(73) Assignee: **DENTSPLY SIRONA INC.**, York, PA (US)

(\*\*) Term: **15 Years**

(21) Appl. No.: **29/713,240**

(22) Filed: **Nov. 14, 2019**

(51) **LOC (13) Cl.** ..... **24-02**

(52) **U.S. Cl.**  
USPC ..... **D24/176**

(58) **Field of Classification Search**  
USPC ..... D24/176-177, 152, 107, 127  
CPC .... A61C 5/40; A61C 5/42; A61C 5/44; A61C 19/041; A61C 19/042  
See application file for complete search history.

(56) **References Cited**

**U.S. PATENT DOCUMENTS**

4,019,254 A *	4/1977	Malmin	.....	A61C 5/42 433/102
D875,257 S *	2/2020	Berkely	.....	D24/176
10,646,316 B2 *	5/2020	Kim	.....	A61C 19/041
2008/0187880 A1 *	8/2008	Becker	.....	A61C 19/041 433/25
2010/0063377 A1 *	3/2010	Becker	.....	A61C 19/041 600/407
2019/0053884 A1 *	2/2019	Langbein	.....	A61C 5/44

**OTHER PUBLICATIONS**

AliExpress, "Dental endo files clips Cable Apex Locator Accessories." Retrieved on Feb. 17, 2021. Retrieved from the Internet: <https://www.aliexpress.com/i/4001081174494.html>.\*

\* cited by examiner

*Primary Examiner* — Wan Laymon

(74) *Attorney, Agent, or Firm* — Dentsply Sirona Inc.

(57) **CLAIM**

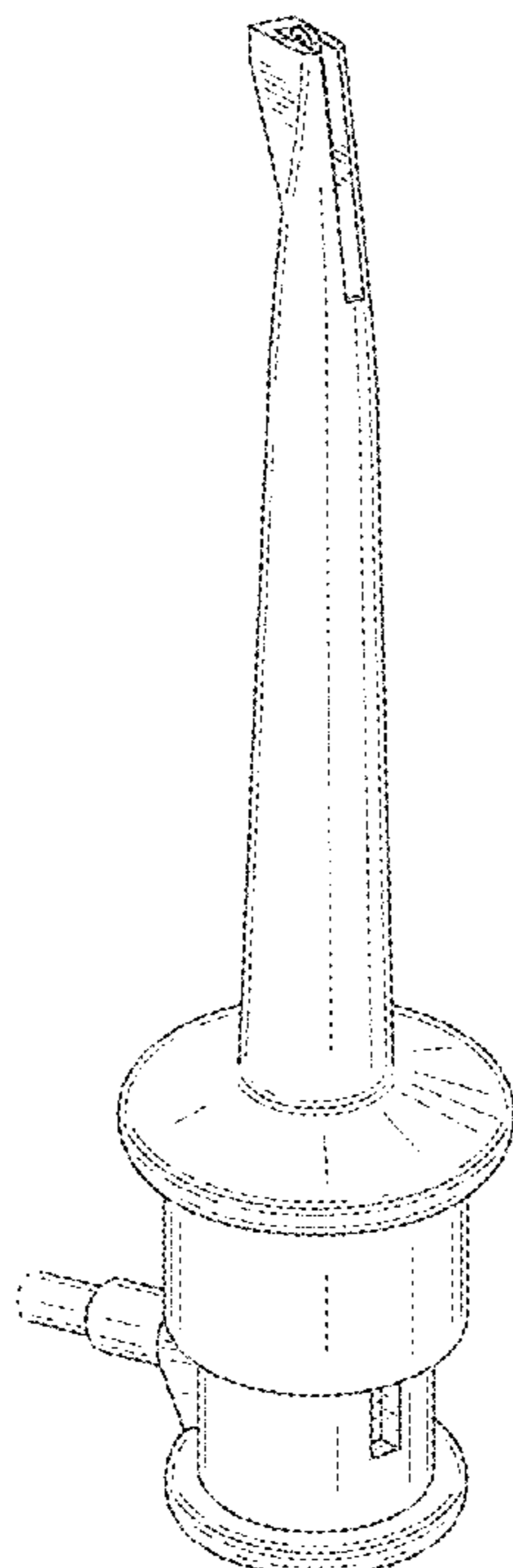
The ornamental design for an endodontic file clip for an apex locator, as shown and described.

**DESCRIPTION**

FIG. 1 is a perspective view of an endodontic file clip for an apex locator of the present invention;  
FIG. 2 is a rear plan view of the dental implant shown in FIG. 1;  
FIG. 3 is a front plan view of the dental implant shown in FIG. 1;  
FIG. 4 is a right side view of the dental implant shown in FIG. 1;  
FIG. 5 is a left side view of the dental implant shown in FIG. 1;  
FIG. 6 is a top view of the dental implant shown in FIG. 1; and,  
FIG. 7 is a bottom view of the dental implant shown in FIG. 1.

The broken lines immediately adjacent the claimed areas represent the bounds of the claim, and all other broken lines are included for the purpose of illustrating portions of the dental implant that form no part of the claimed design.

**1 Claim, 5 Drawing Sheets**



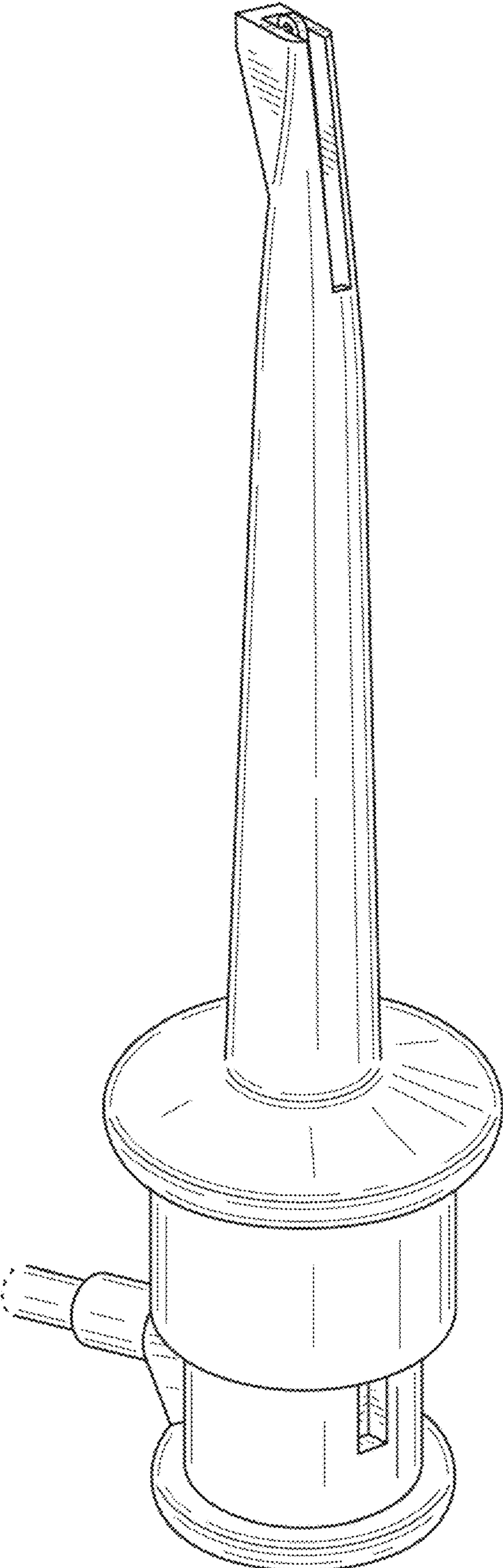


FIG. 1

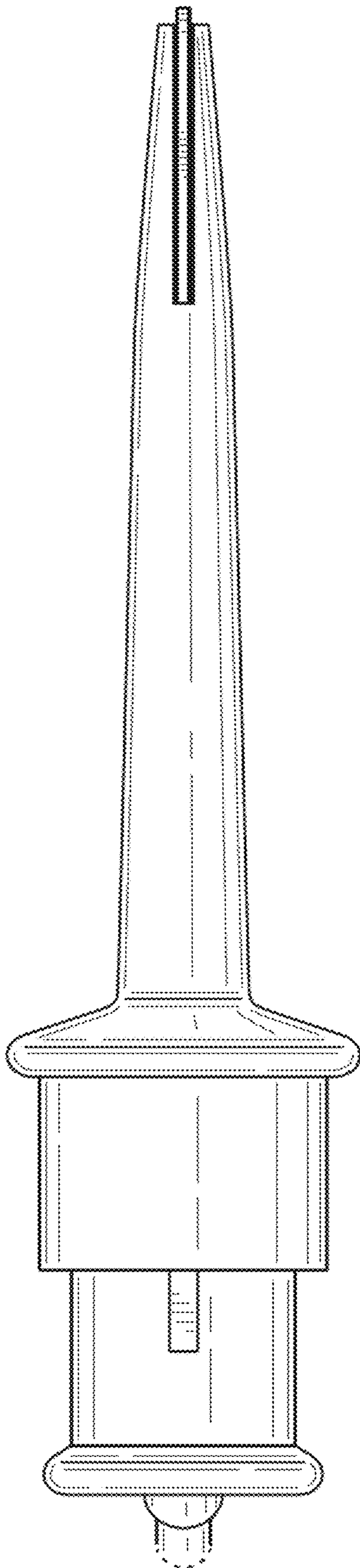


FIG. 2

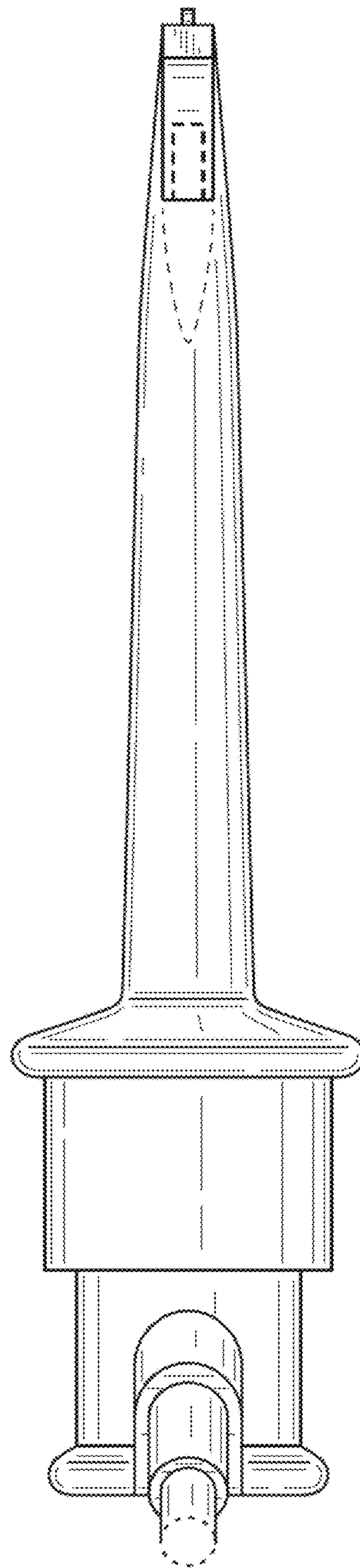


FIG. 3

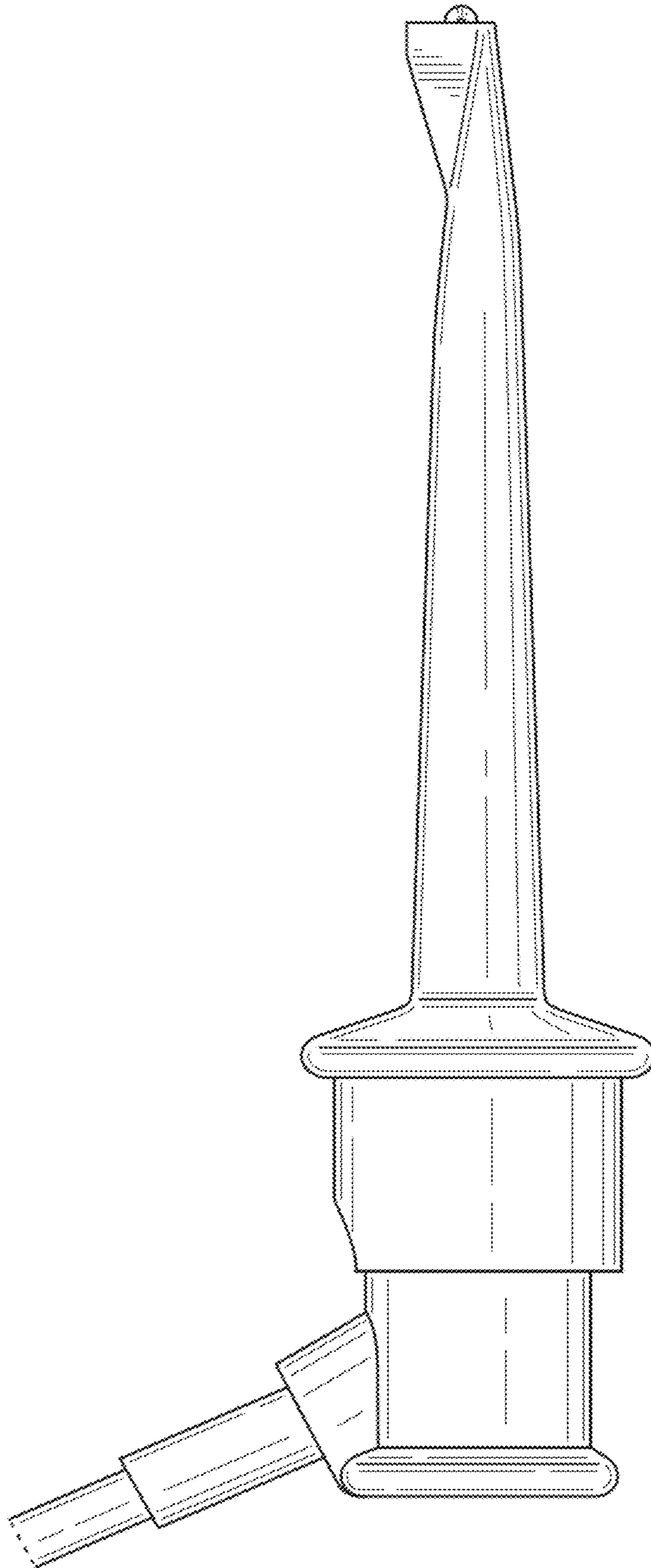


FIG. 4

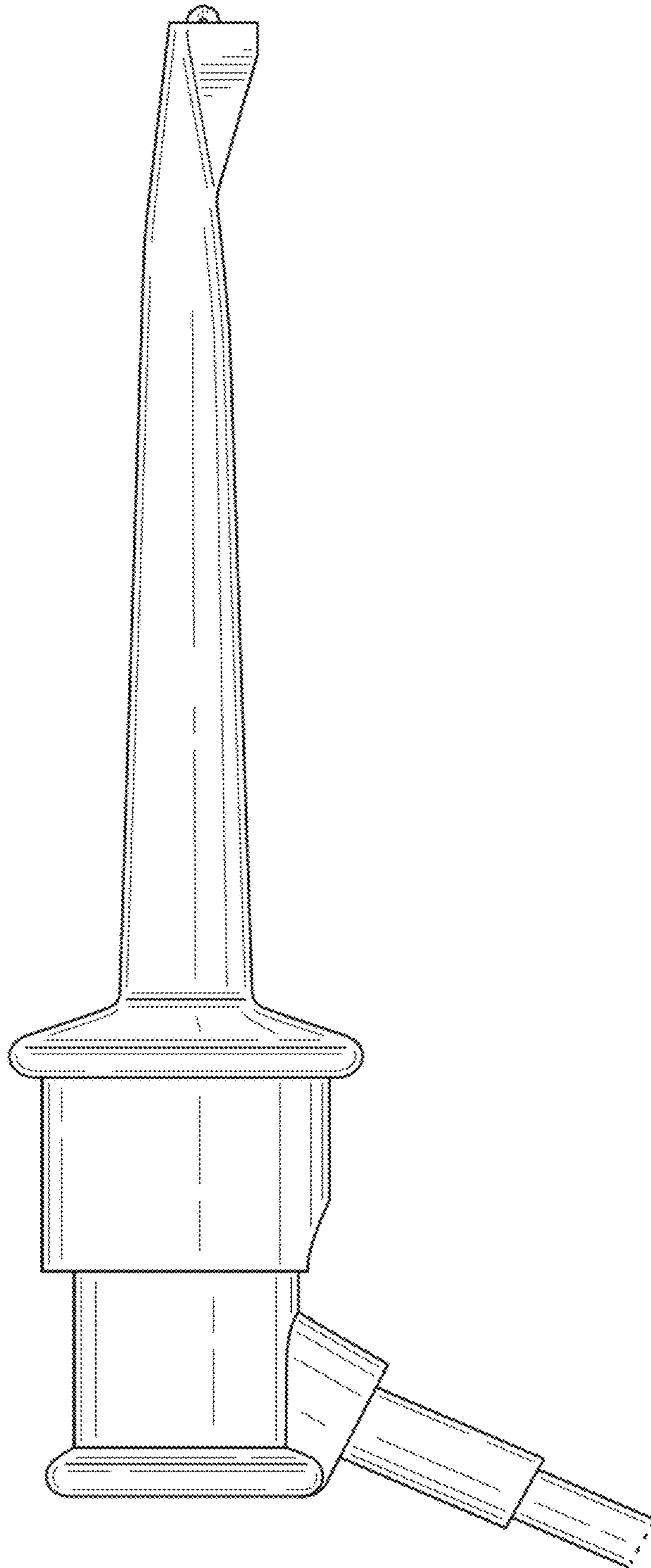
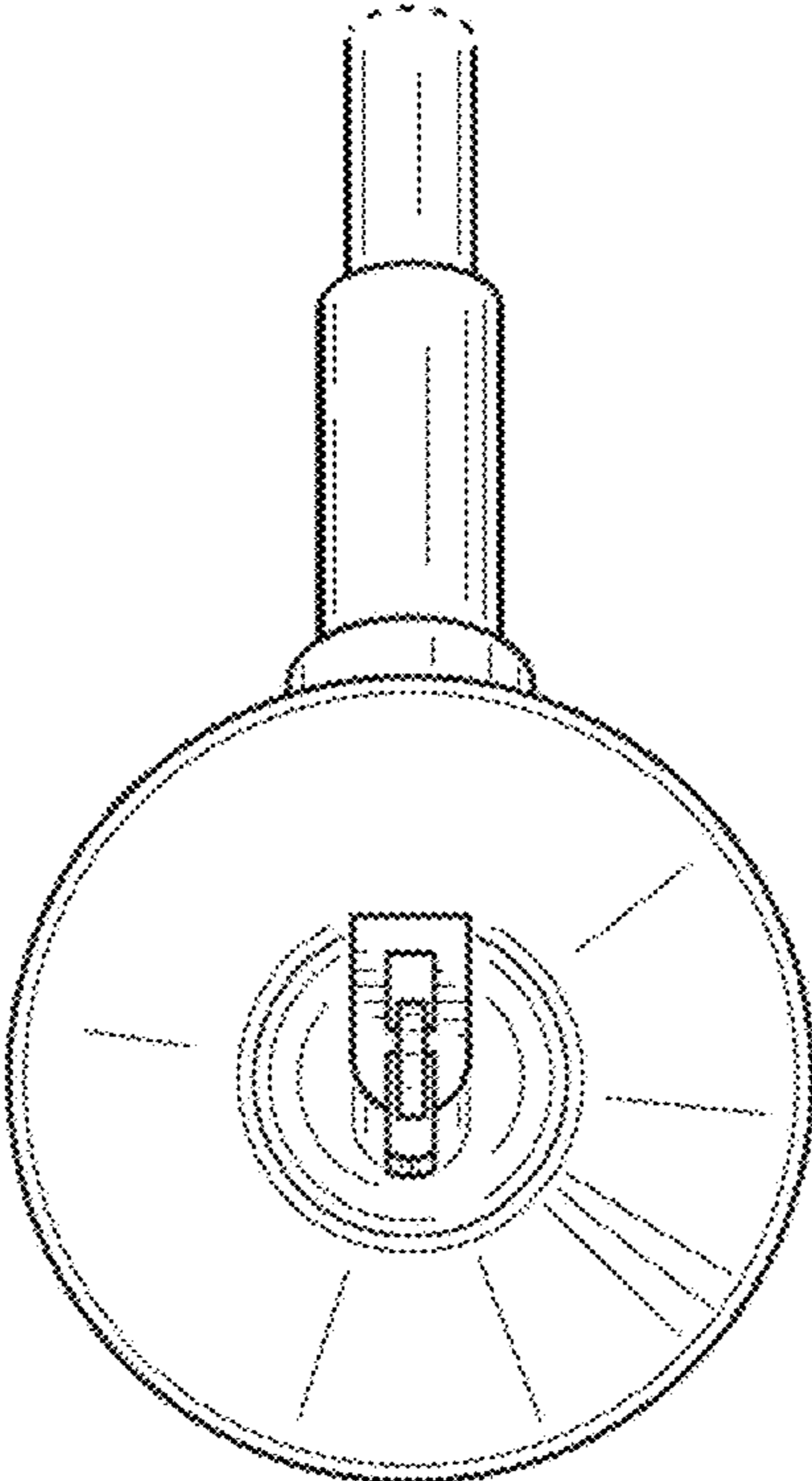
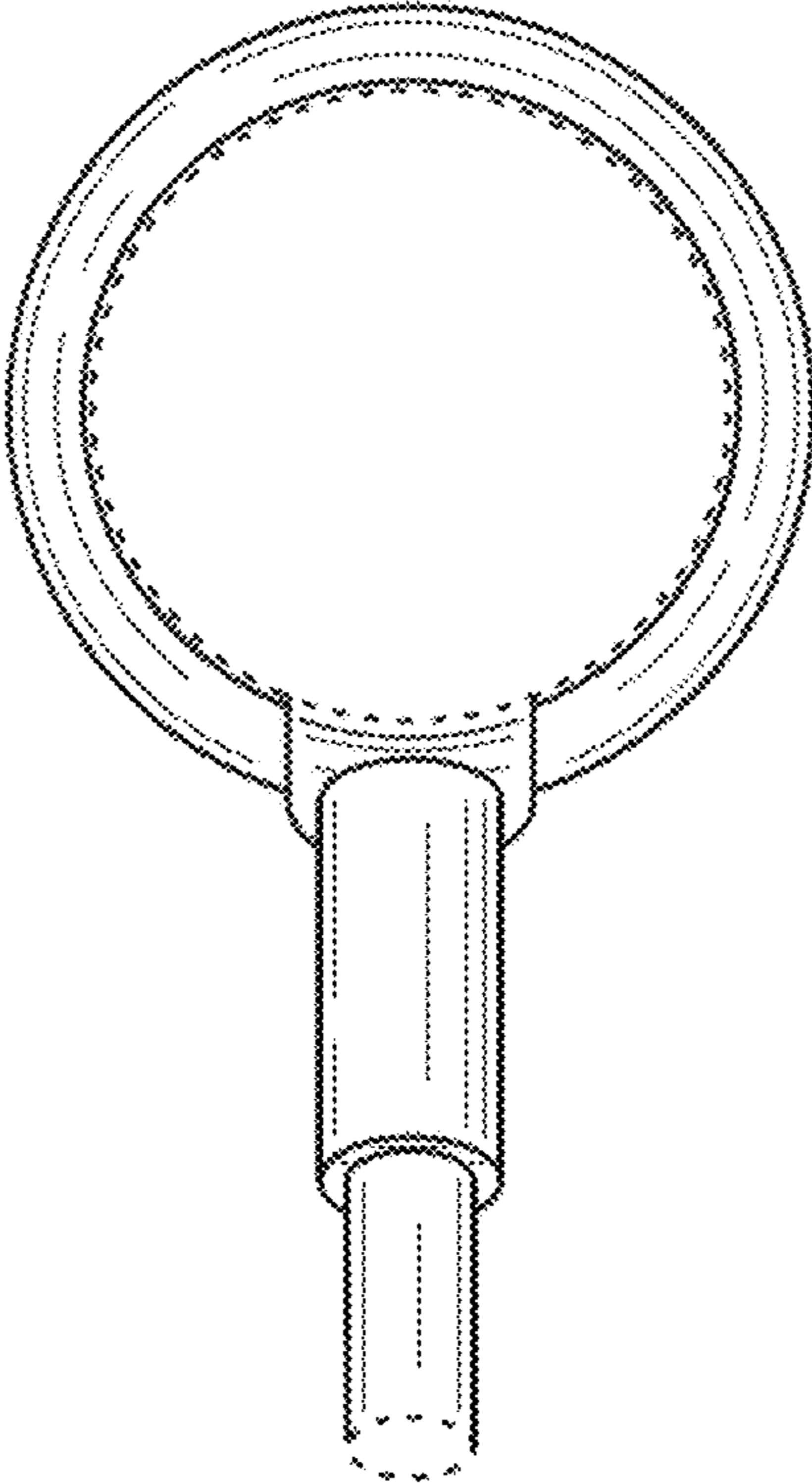


FIG. 5



**FIG. 6**



**FIG. 7**